



US00D584824S

(12) **United States Design Patent**  
**Berglund**

(10) **Patent No.:** **US D584,824 S**  
(45) **Date of Patent:** **\*\* Jan. 13, 2009**

(54) **BOTTLE GRIPPER**

(75) Inventor: **David Nathan Berglund**, Marvin, NC  
(US)

(73) Assignee: **Edison Nation, LLC**, Charlotte, NC  
(US)

(\*\*) Term: **14 Years**

(21) Appl. No.: **29/302,881**

(22) Filed: **Jan. 27, 2008**

(51) **LOC (9) Cl.** ..... **07-01**

(52) **U.S. Cl.** ..... **D24/199**

(58) **Field of Classification Search** ..... D24/193-199;  
D7/337, 503, 559; D9/434, 500-506, 515-516,  
D9/530; D30/160; 248/102-105, 908; 215/11.1-11.6,  
215/40-43, 227, 379-383, 395; 446/73,  
446/74, 227

See application file for complete search history.

(56) **References Cited**

**U.S. PATENT DOCUMENTS**

- D200,819 S \* 4/1965 Perun ..... D9/434
- 4,050,600 A \* 9/1977 Jennings ..... 215/11.1
- D269,321 S \* 6/1983 Zannini ..... D7/388
- D306,071 S \* 2/1990 Klitsner ..... D24/197
- D306,072 S \* 2/1990 Klitsner ..... D24/197
- D306,073 S \* 2/1990 Klitsner ..... D24/197
- D306,074 S \* 2/1990 Klitsner ..... D24/197
- D306,075 S \* 2/1990 Klitsner ..... D24/197
- 4,984,697 A \* 1/1991 Kelly ..... 215/11.1
- D315,959 S \* 4/1991 Bilangi ..... D24/199
- D322,128 S \* 12/1991 Martinez, Jr. .... D24/199
- 5,072,843 A 12/1991 James
- 5,114,374 A \* 5/1992 Estiva ..... 446/77
- D334,983 S 4/1993 Nicholls
- 5,613,657 A 3/1997 Olaiz
- D403,072 S \* 12/1998 Rogers Huante ..... D24/194
- D407,944 S \* 4/1999 Filbrun ..... D7/396.2
- D440,016 S \* 4/2001 Thorpe ..... D28/77

- D458,380 S \* 6/2002 Dutil ..... D24/197
- D458,540 S \* 6/2002 Clements et al. .... D9/516
- D472,941 S \* 4/2003 Manville ..... D21/488
- 6,827,317 B1 12/2004 Maki Risaliti
- D556,823 S \* 12/2007 Lombard ..... D19/6

**OTHER PUBLICATIONS**

David Nathan Berglund, U.S. Appl. No. 29/302,882, filed Jan. 27, 2008.

\* cited by examiner

*Primary Examiner*—Robert M Spear

*Assistant Examiner*—Susan E Krakower

(74) *Attorney, Agent, or Firm*—Tillman Wright, PLLC; Chad D. Tillman; James D. Wright

(57) **CLAIM**

The ornamental design for a bottle gripper, as shown and described.

**DESCRIPTION**

FIG. 1 is a perspective view of a bottle gripper in accordance with a first embodiment of the present invention.

FIG. 2 is a plan view the bottle gripper of FIG. 1.

FIG. 3 is a perspective view of a bottle gripper in accordance with a second embodiment of the present invention.

FIG. 4 is a plan view the bottle gripper of FIG. 3; and,

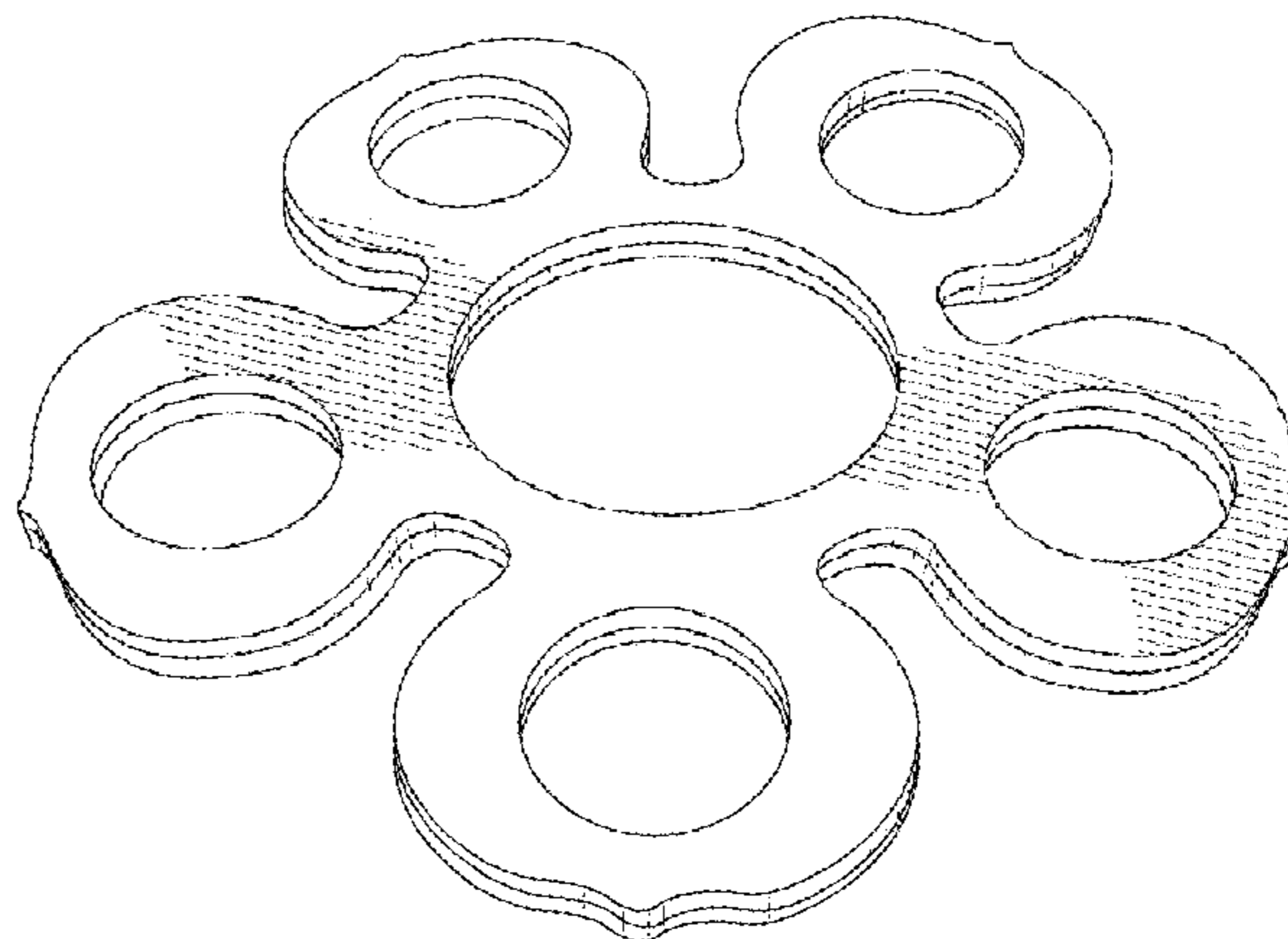
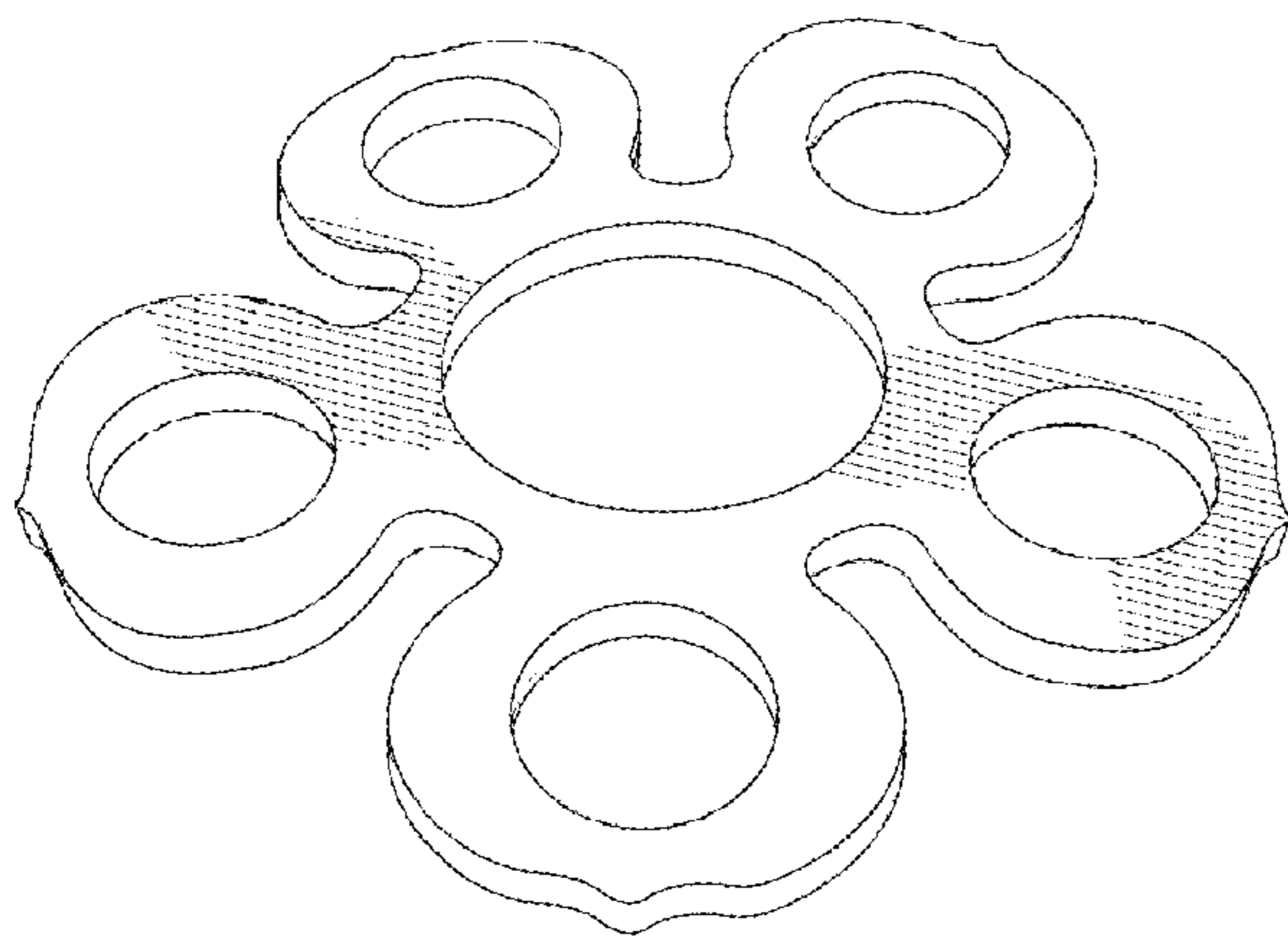
FIG. 5 is a perspective view of the bottle gripper of FIG. 3 shown in use.

The second embodiment includes a demarcation line dividing the bottle gripper into two halves, as shown in FIGS. 3 and 5. Each of the halves is a color that is different from the other.

The portion of FIG. 5 shown in dashed line forms no part of the design for which patent protection is claimed herein.

The broken lines in FIG. 5 illustrate environmental structure and form no part of the claimed design.

**1 Claim, 5 Drawing Sheets**



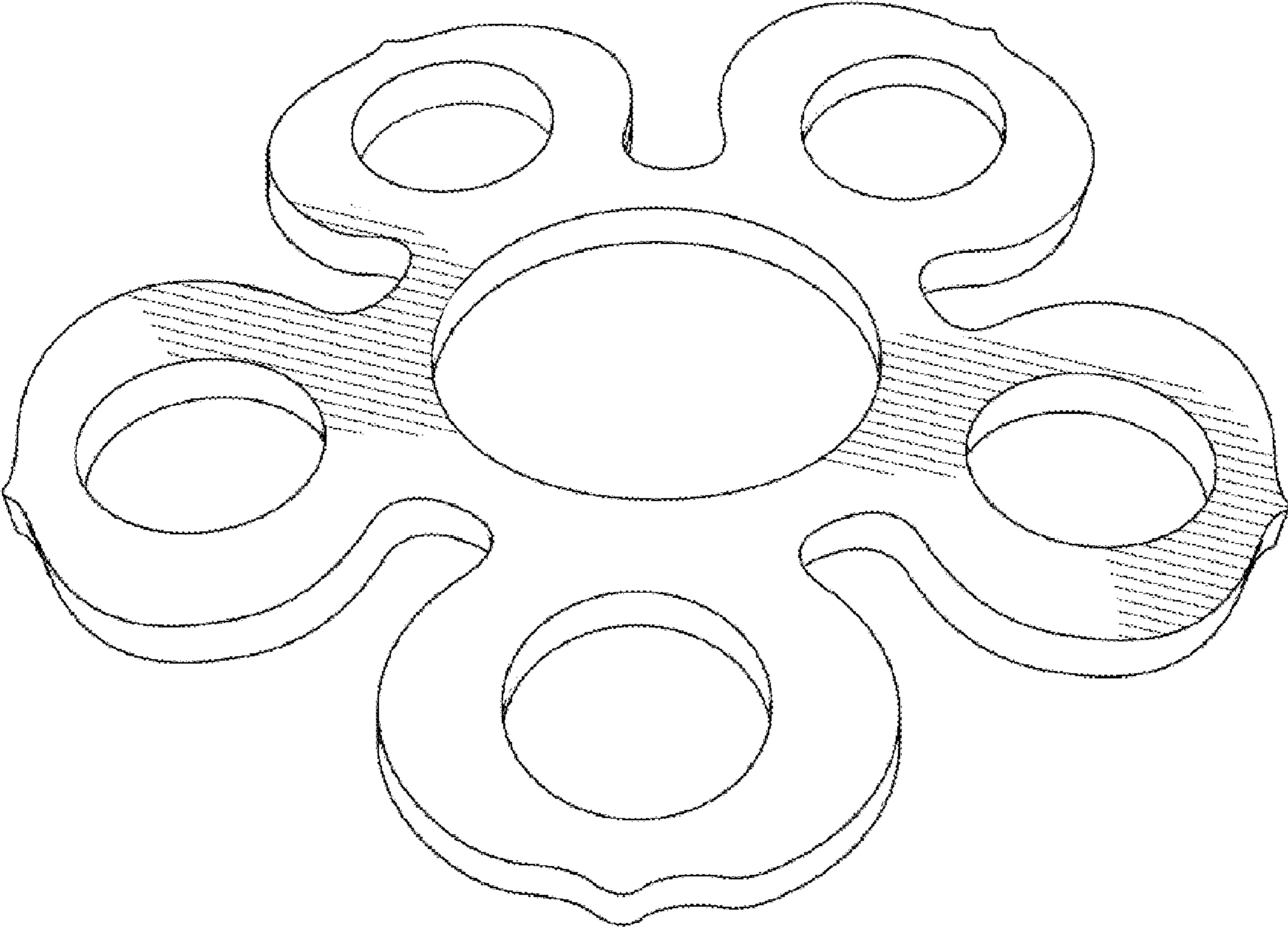


Figure 1

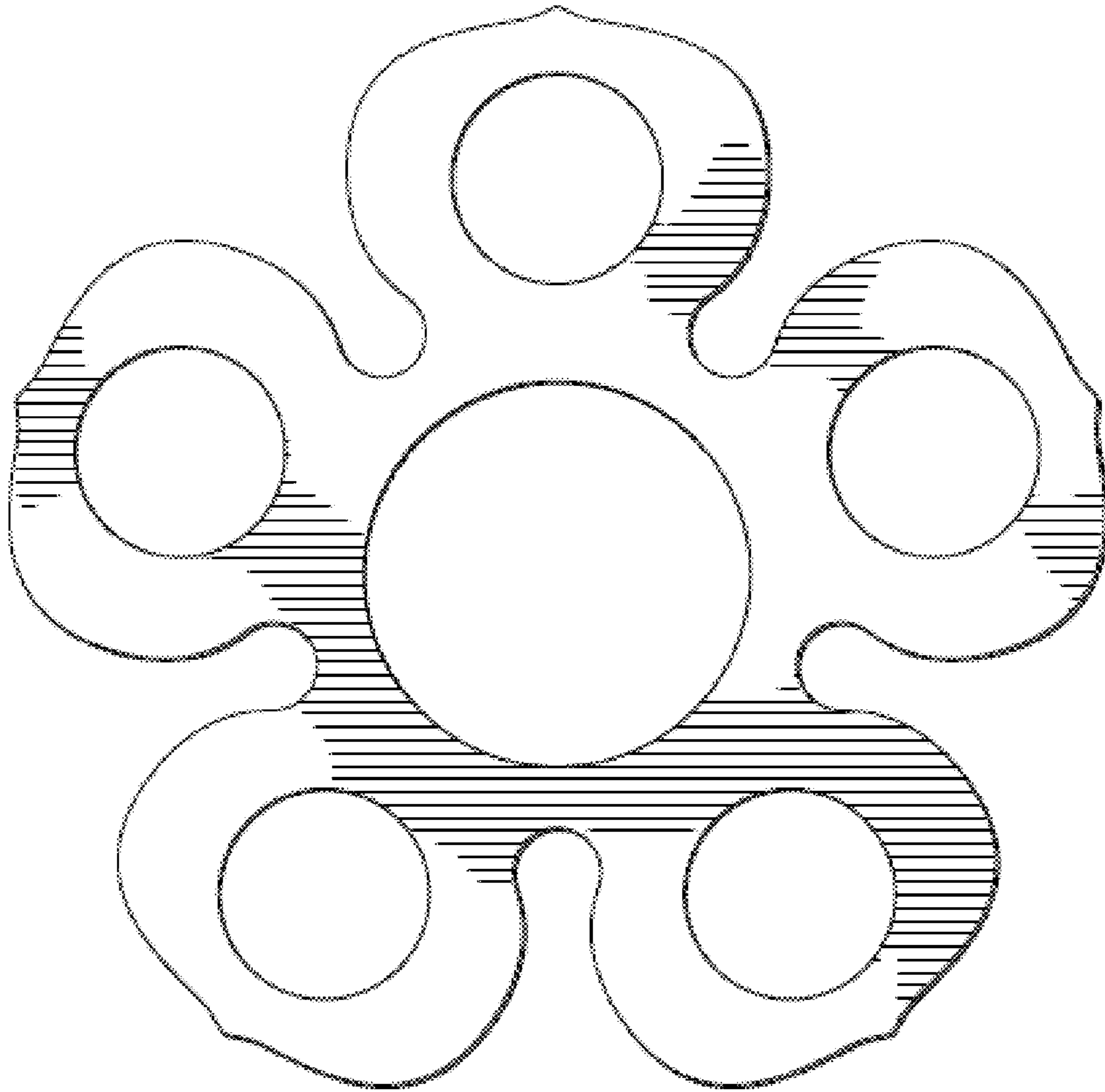


Figure 2

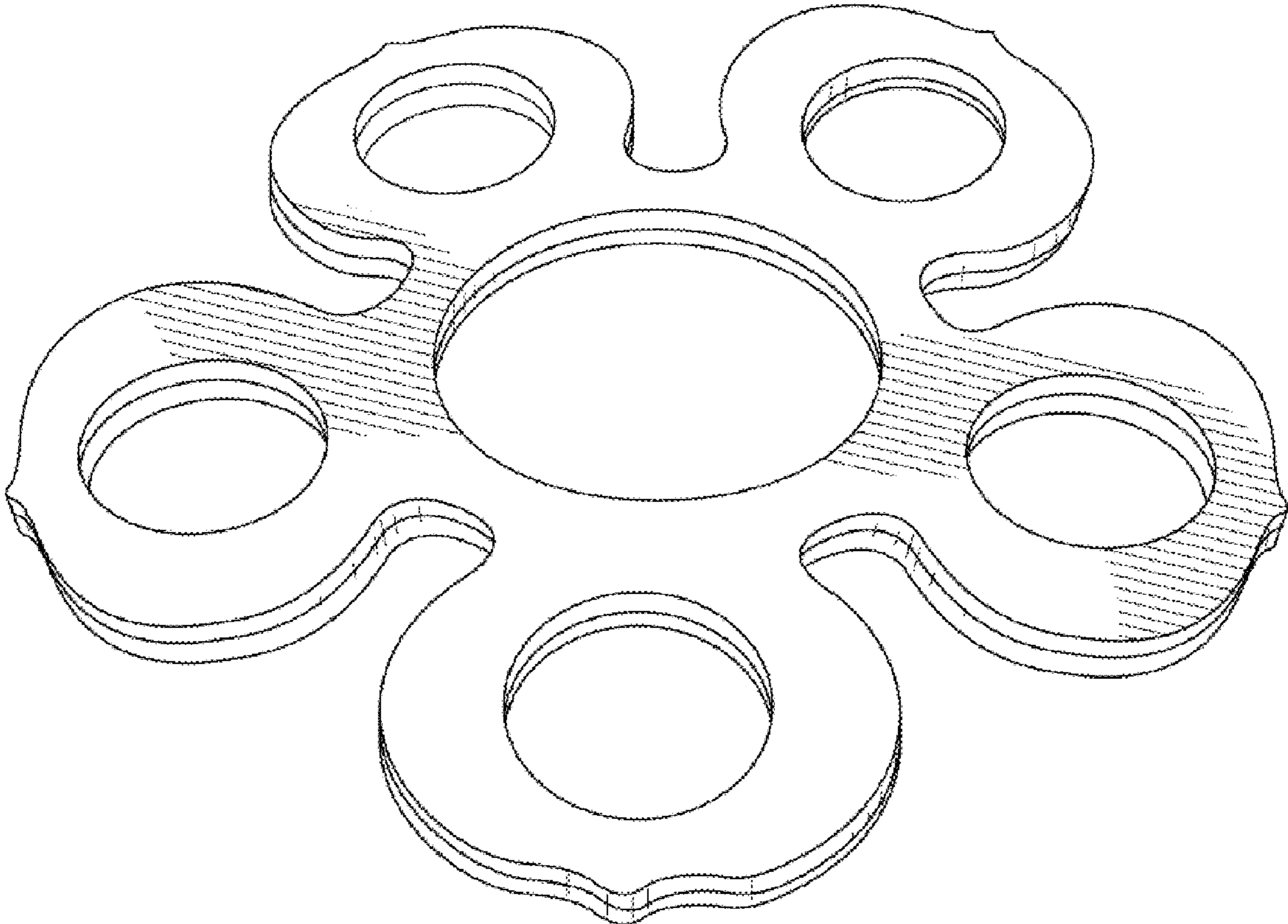


Figure 3

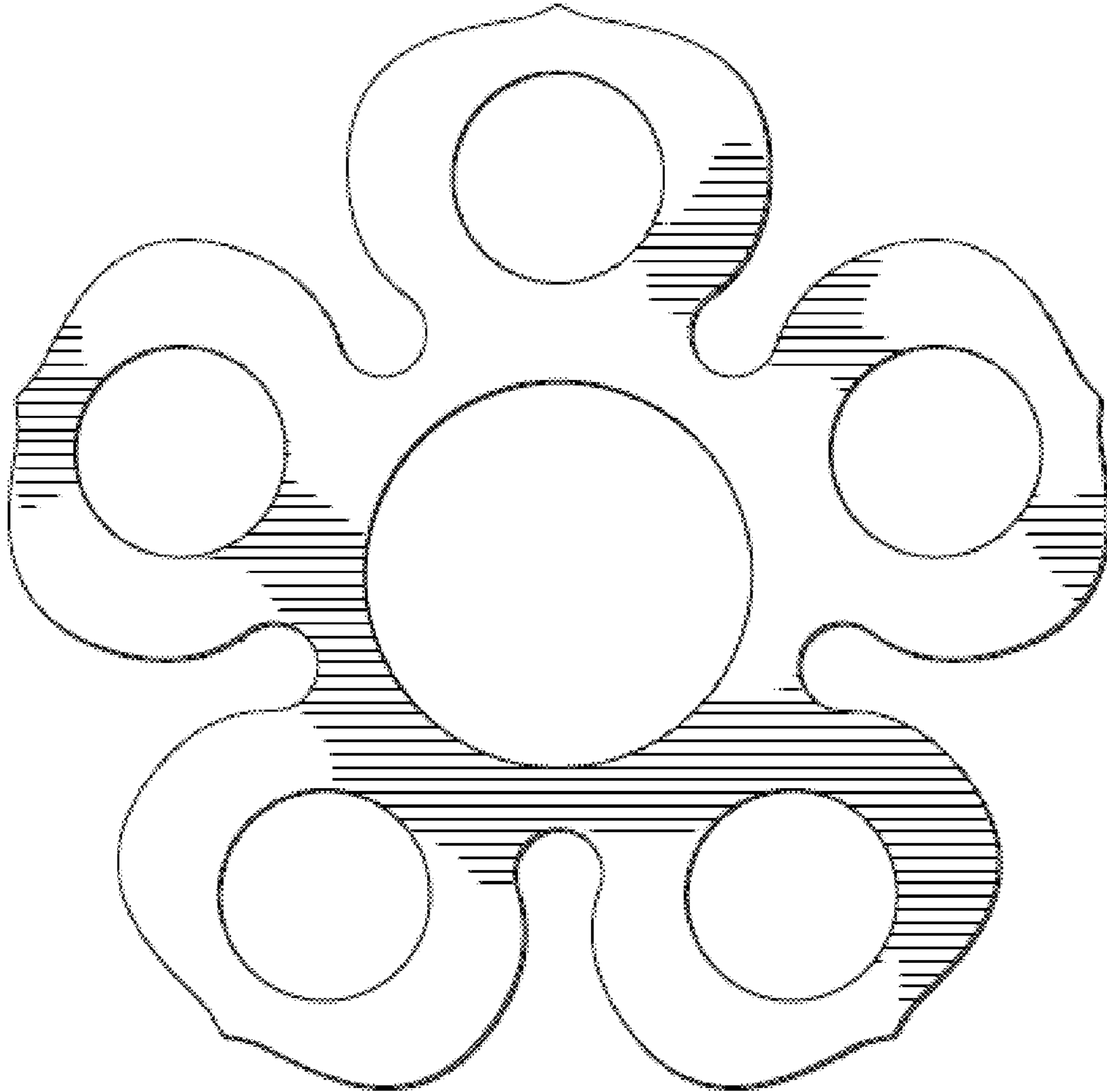


Figure 4

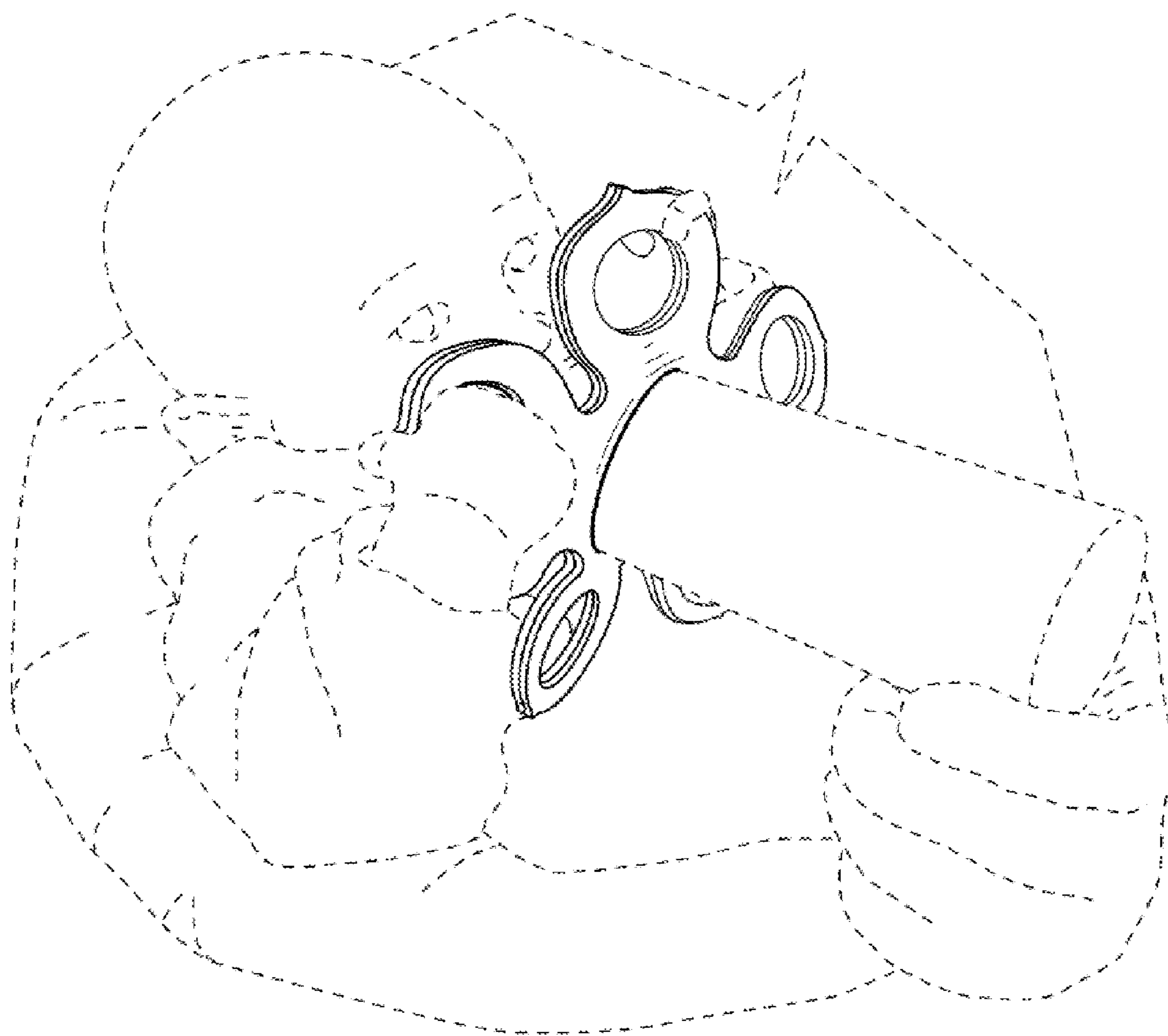


Figure 5