



US00D584820S

(12) **United States Design Patent**
Scott

(10) **Patent No.:** **US D584,820 S**
(45) **Date of Patent:** **** Jan. 13, 2009**

(54) **FEMUR TRACTION LEG SUPPORT APPARATUS**

(76) Inventor: **James W. Scott**, 1610 John Orr Dr., Bldg. A, Tifton, GA (US) 31794

(**) Term: **14 Years**

(21) Appl. No.: **29/301,029**

(22) Filed: **Feb. 6, 2008**

Related U.S. Application Data

(62) Division of application No. 29/285,810, filed on Apr. 11, 2007, now Pat. No. Des. 565,734.

(51) **LOC (9) Cl.** **24-02**

(52) **U.S. Cl.** **D24/183**

(58) **Field of Classification Search** D24/183-184, D24/188, 191, 231-232; D6/361, 367, 601; 5/632-648; 601/34; 602/16, 23, 33-36, 602/38, 40; 606/241; 482/79, 130

See application file for complete search history.

(56) **References Cited**

U.S. PATENT DOCUMENTS

439,255 A	10/1890	Ruebsam
2,511,659 A	6/1950	Wilson
3,661,150 A	5/1972	Peterssen et al.
3,717,144 A	2/1973	Bimler
D229,359 S	11/1973	Nightingale
4,566,440 A	1/1986	Berner et al.
4,602,619 A	7/1986	Wolf et al.
4,627,423 A	12/1986	Kampner

4,664,099 A	5/1987	Pearl, Jr.	
4,664,101 A	5/1987	Granberg	
4,998,722 A	3/1991	Scott	
5,097,553 A	3/1992	Boland	
D341,726 S	11/1993	Stevens	
5,306,231 A	4/1994	Cullum et al.	
D367,118 S	2/1996	Miller et al.	
D521,301 S	5/2006	Dickson	
D565,734 S *	4/2008	Scott D24/183
2007/0287946 A1	12/2007	Kendrick	

* cited by examiner

Primary Examiner—Louis S Zarfaz

Assistant Examiner—Mark Cavanna

(74) *Attorney, Agent, or Firm*—Langdale Vallotton, LLP; John P. Sinnott

(57) **CLAIM**

The ornamental design for femur traction leg support apparatus, as shown and described.

DESCRIPTION

J.W. Scott, MD, Utility patent application Ser. No. 11/786, 105 filed on Apr. 11, 2007.

FIG. 1 is a side view of the femur traction leg support apparatus showing my new design with the dashed lines representing stitching; and,

FIG. 2 is a top view thereof.

The dot dash line portions are included for the illustrative purposes only and form no part of the claimed design.

1 Claim, 2 Drawing Sheets

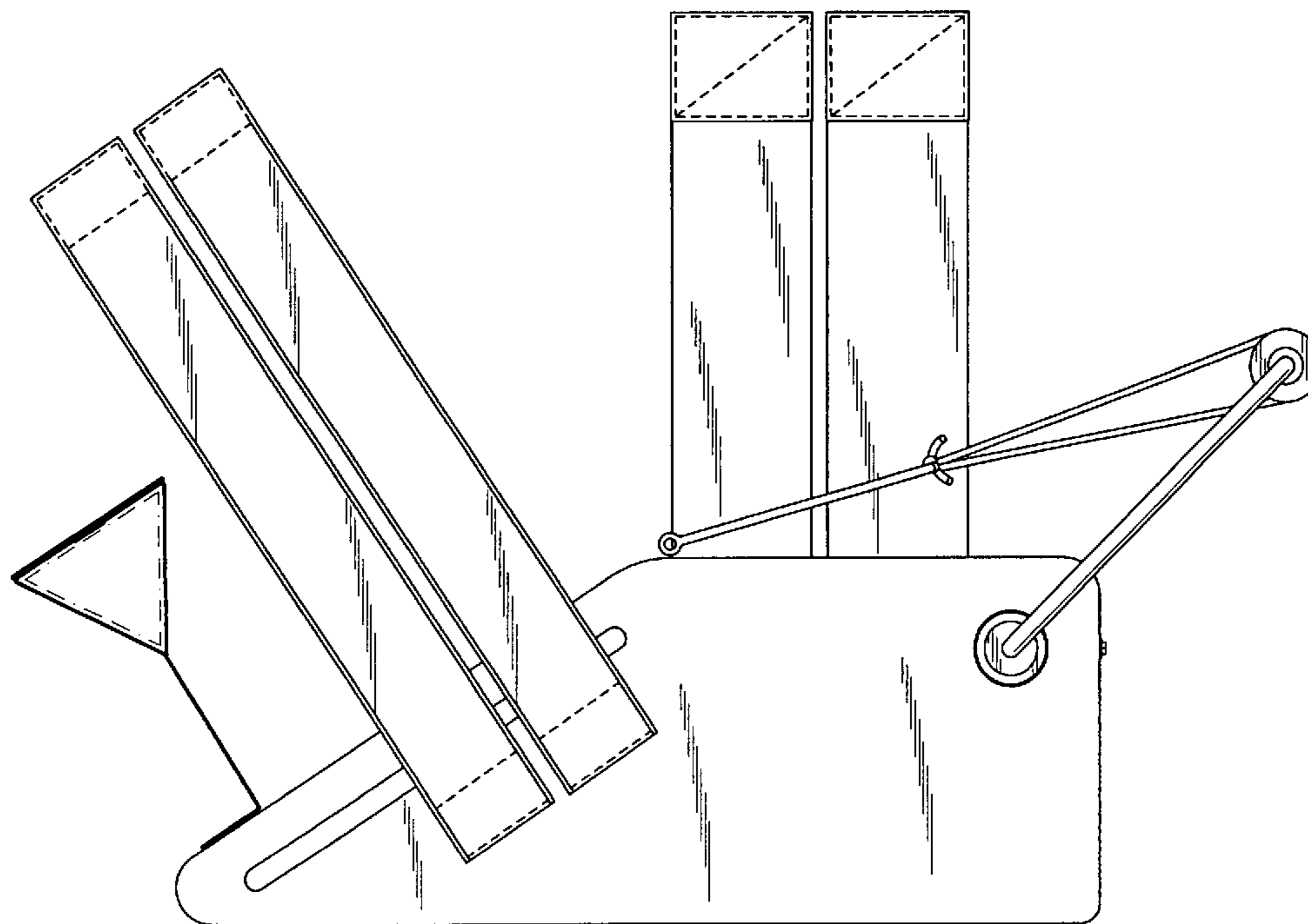


FIG. 1

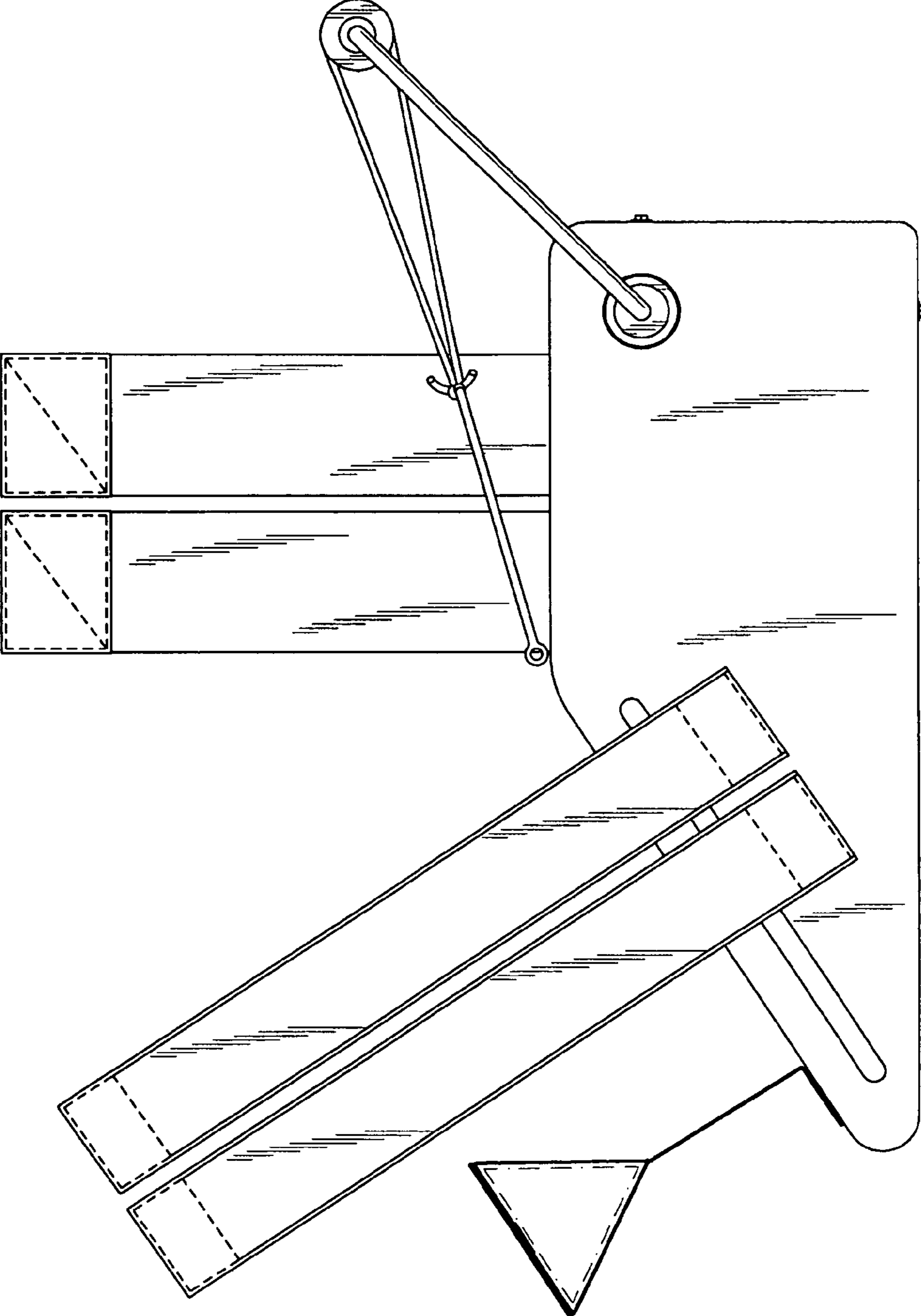


FIG. 2

