



US00D584819S

(12) **United States Design Patent**
Becerra et al.

(10) **Patent No.:** **US D584,819 S**
(45) **Date of Patent:** **** Jan. 13, 2009**

(54) **SPINAL DISTRACTION STRUCTURE**

2006/0015145 A1* 1/2006 Smith et al. 606/237

(75) Inventors: **Carlos Becerra**, Atlanta, GA (US);
William K. Chandler, Lawrenceville,
GA (US)

* cited by examiner

Primary Examiner—Robert A. Delehanty

Assistant Examiner—Mark Cavanna

(73) Assignee: **North American Medical Corporation**,
Marietta, GA (US)

(74) *Attorney, Agent, or Firm*—Bryan W. Bockhop; Bockhop
& Assoc., LLC

(**) Term: **14 Years**

(57) **CLAIM**

(21) Appl. No.: **29/299,567**

The ornamental design for a spinal distraction structure, as
shown and described.

(22) Filed: **Dec. 28, 2007**

DESCRIPTION

Related U.S. Application Data

(62) Division of application No. 29/250,544, filed on Nov.
20, 2006, now Pat. No. Des. 562,984.

FIG. 1 is a bird's-eye isometric view showing the front, top,
and side of my new ornamental design for a spinal distraction
structure;

(51) **LOC (9) Cl.** **24-01**

(52) **U.S. Cl.** **D24/183**

FIG. 2 is a top plan view of the spinal distraction structure
shown in FIG. 1;

(58) **Field of Classification Search** D24/158,
D24/171, 183–186, 234; D6/367, 382, 384;
606/237, 242–243

FIG. 3 is a side elevational view of the spinal distraction
structure shown in FIG. 1, the opposite side of which is a
mirror image;

See application file for complete search history.

FIG. 4 is a front elevational view of the spinal distraction
structure shown in FIG. 1; and,

(56) **References Cited**

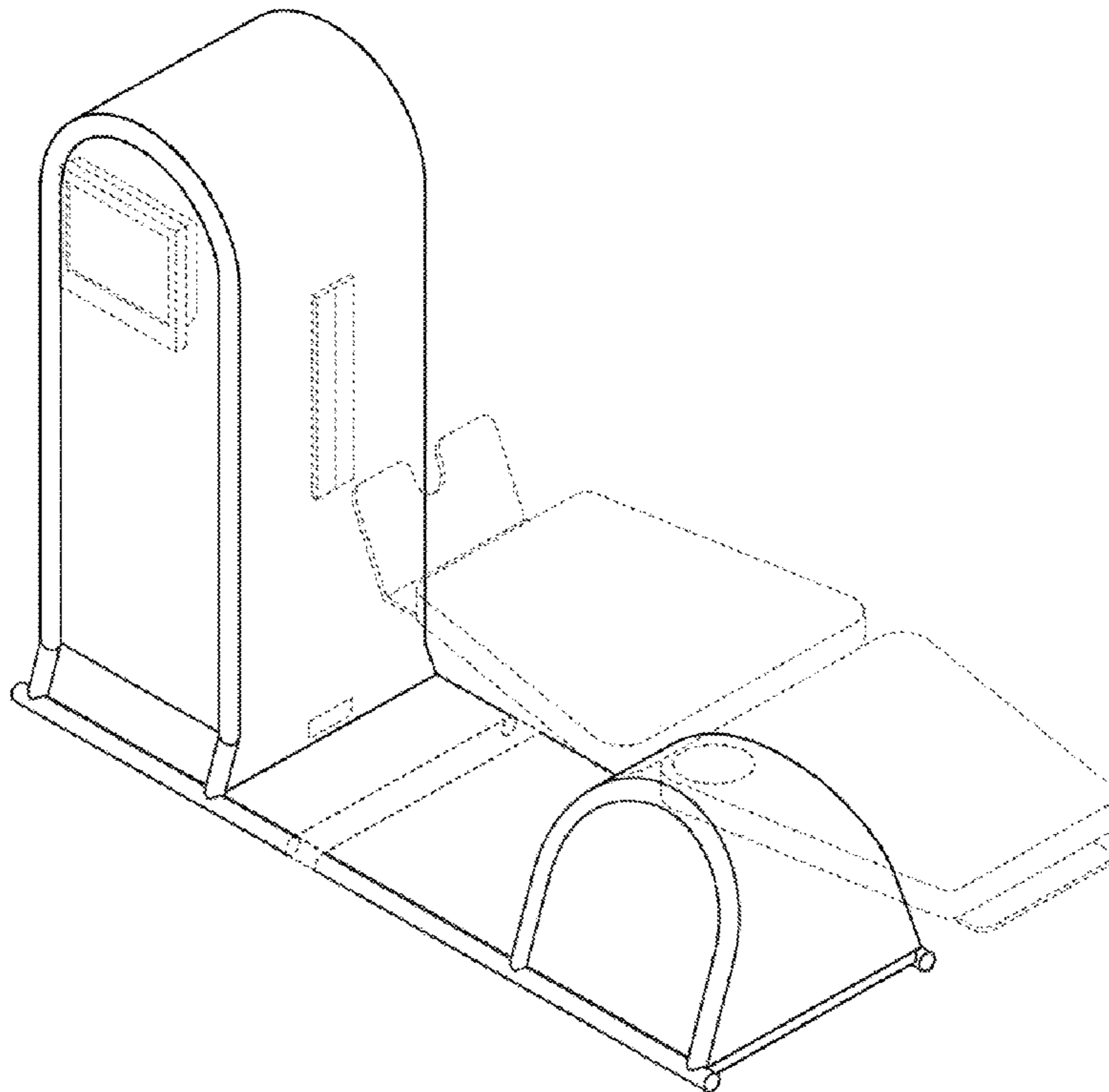
U.S. PATENT DOCUMENTS

5,308,359 A * 5/1994 Lossing 606/242
6,638,299 B2 * 10/2003 Cox 606/243
D495,510 S * 9/2004 Lacina D6/367
D562,984 S * 2/2008 Becerra et al. D24/183

FIG. 5 is a rear elevational view of the spinal distraction
structure shown in FIG. 1.

The broken lines shown are for illustrative purposes only and
form no part of the claimed design.

1 Claim, 3 Drawing Sheets



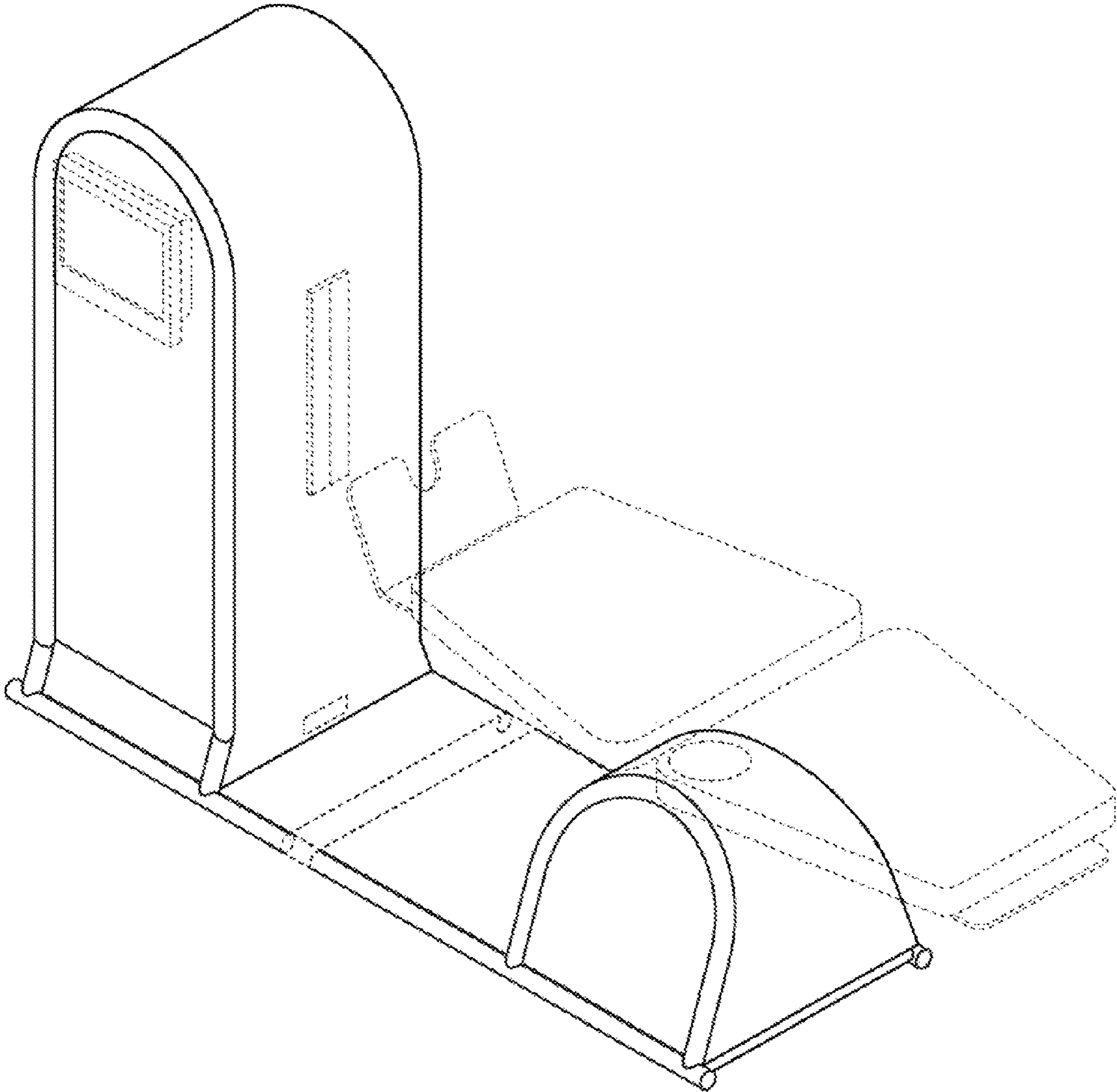


FIG. 1

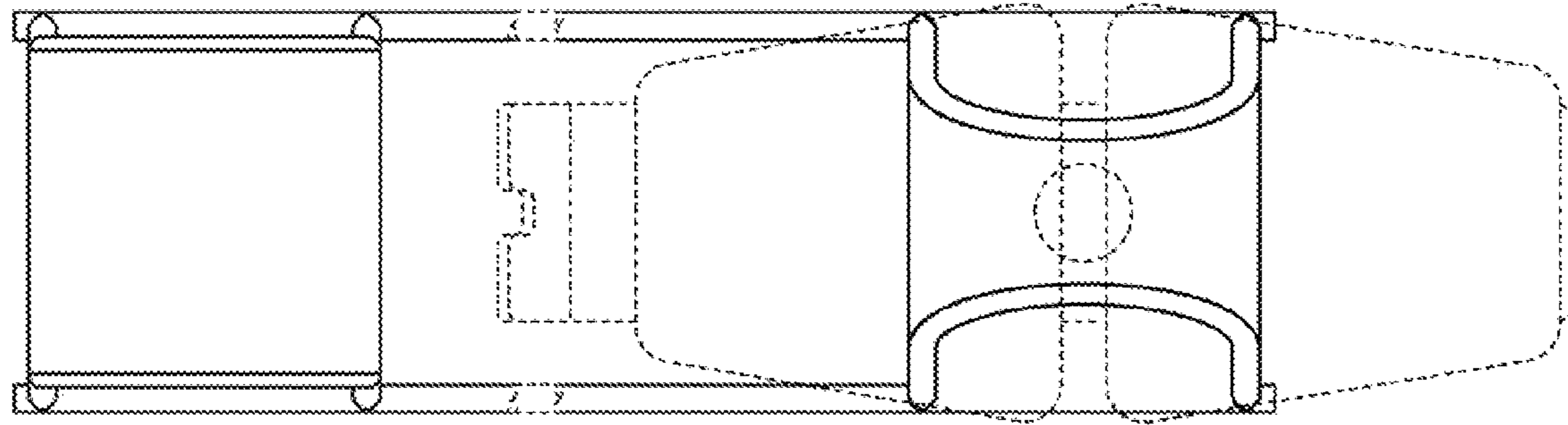


FIG. 2

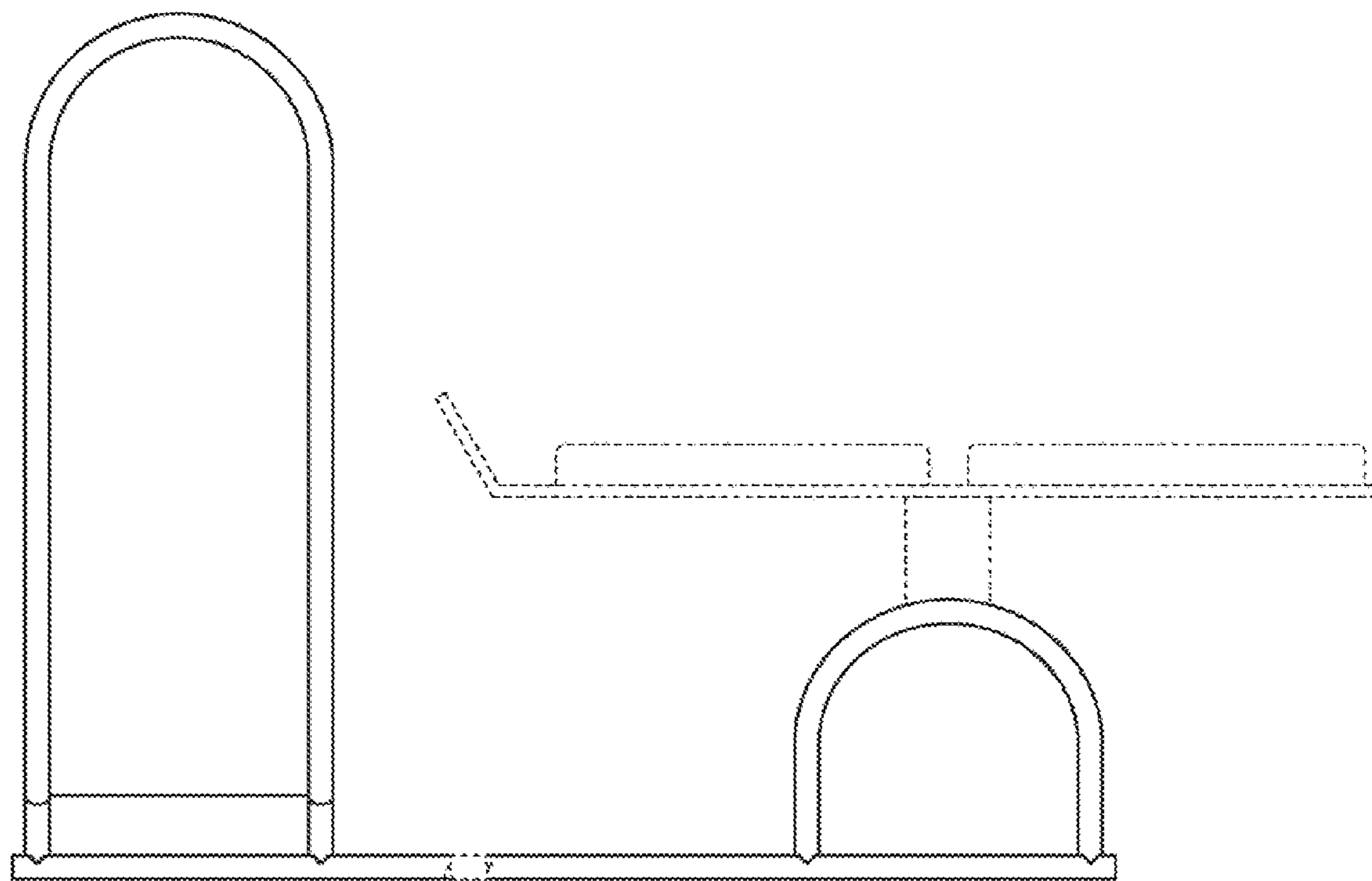


FIG. 3

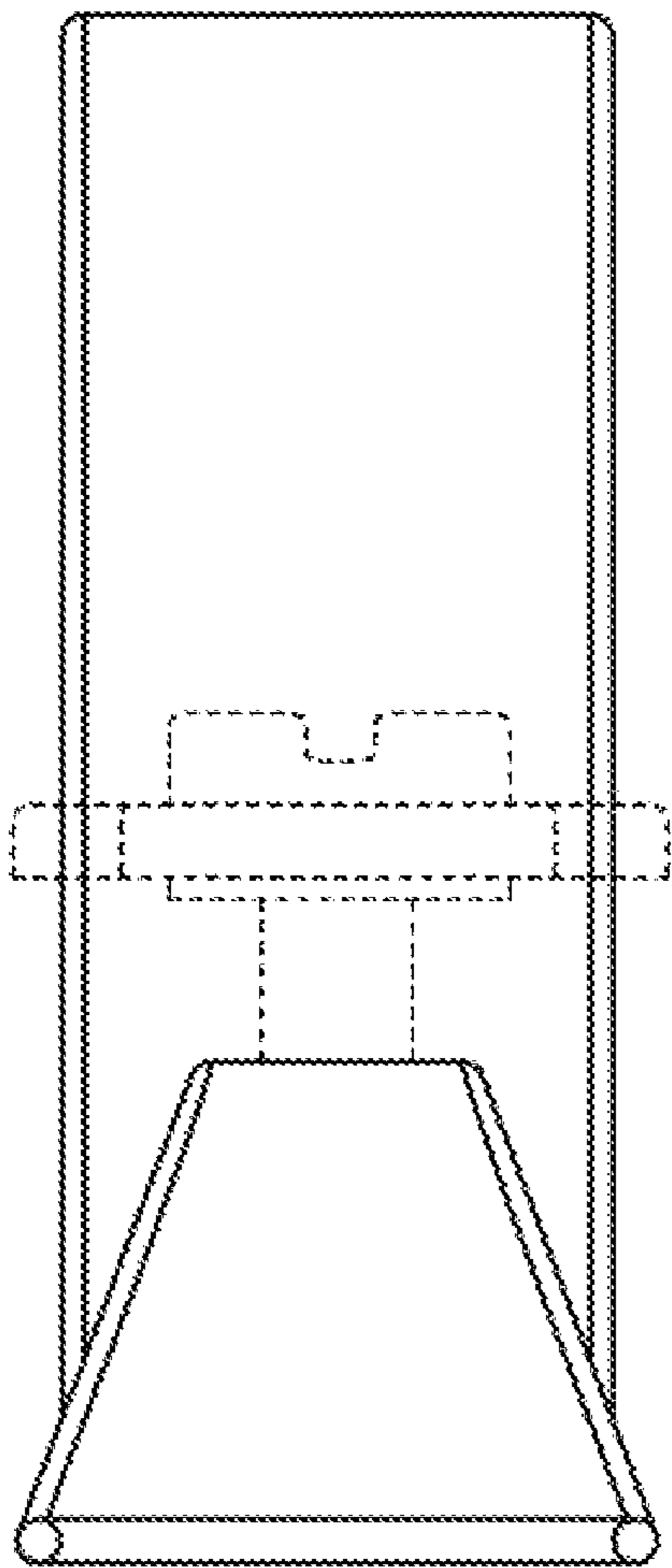


FIG. 4

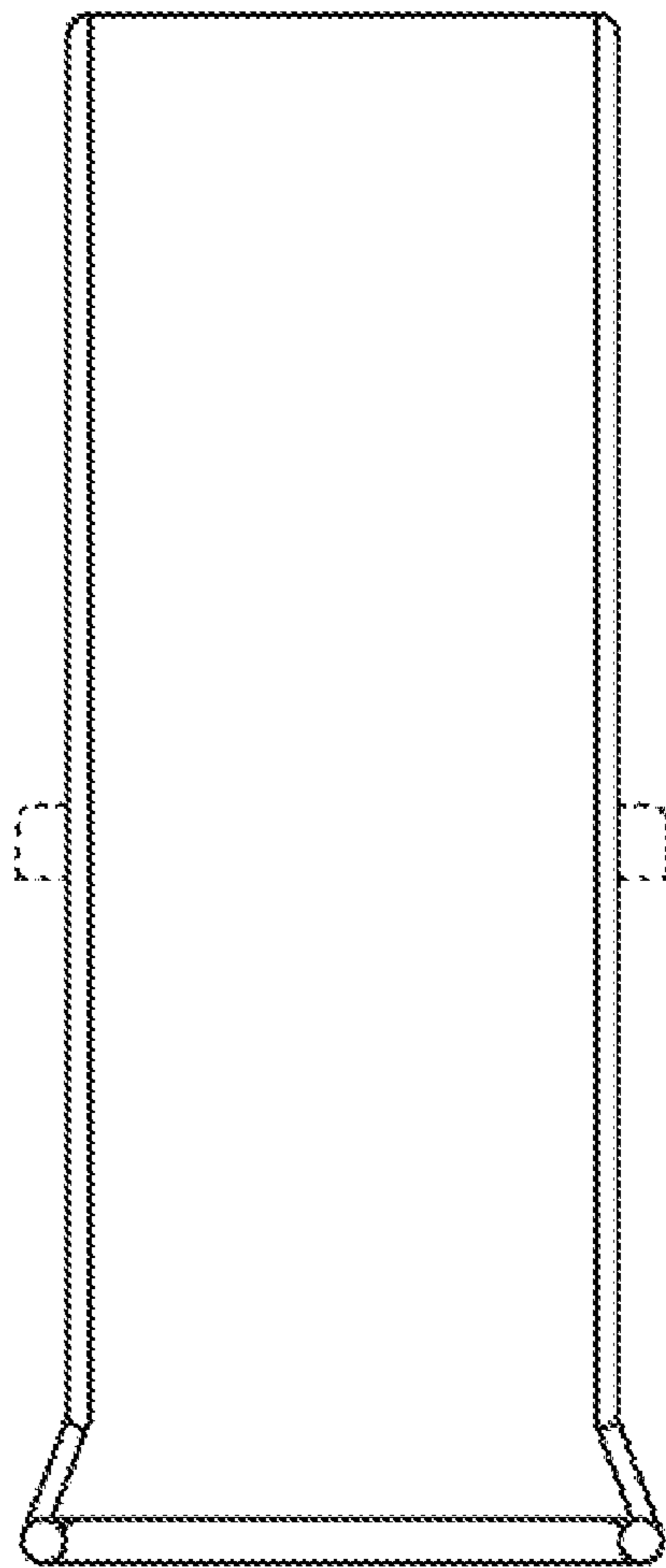


FIG. 5