



US00D584817S

(12) **United States Design Patent**  
**Bigelow**

(10) **Patent No.:** **US D584,817 S**

(45) **Date of Patent:** **\*\* Jan. 13, 2009**

(54) **COMBINED LARYNGOSCOPE AND OPTICAL PRISM**

(76) Inventor: **Warren V. Bigelow**, 5712 Auto Club Cir., Bloomington, MN (US) 55437

(\*\*) Term: **14 Years**

(21) Appl. No.: **29/270,813**

(22) Filed: **Jan. 5, 2007**

(51) **LOC (9) Cl.** ..... **24-02**

(52) **U.S. Cl.** ..... **D24/137**

(58) **Field of Classification Search** ..... D24/137,  
D24/138; 600/184-199

See application file for complete search history.

(56) **References Cited**

**U.S. PATENT DOCUMENTS**

3,771,514	A *	11/1973	Huffman et al.	600/189
3,856,001	A *	12/1974	Phillips	600/194
4,611,579	A *	9/1986	Bellhouse	600/189
5,575,758	A *	11/1996	Easterbrook, III	600/193
6,102,851	A *	8/2000	Mellin	600/199
6,213,937	B1 *	4/2001	Vivenzio	600/199
6,248,061	B1 *	6/2001	Cook, Jr.	600/187
6,719,688	B2 *	4/2004	Pecherer et al.	600/199
6,890,298	B2	5/2005	Berci et al.	
2005/0159649	A1 *	7/2005	Patel	600/194

\* cited by examiner

*Primary Examiner*—Ian Simmons  
*Assistant Examiner*—Carissa C Fitts  
(74) *Attorney, Agent, or Firm*—Norman Rainer

(57) **CLAIM**

The ornamental design for a combined laryngoscope and optical prism, as shown and described.

**DESCRIPTION**

FIG. 1 is a top and rear perspective view of a combined laryngoscope and optical prism with the optical prism removed for ease of illustration, showing my new design;

FIG. 2 is a side view thereof;

FIG. 3 is an opposite side view thereof;

FIG. 4 is a top view thereof;

FIG. 5 is a bottom view thereof;

FIG. 6 is a rear end view thereof;

FIG. 7 is a front end view thereof;

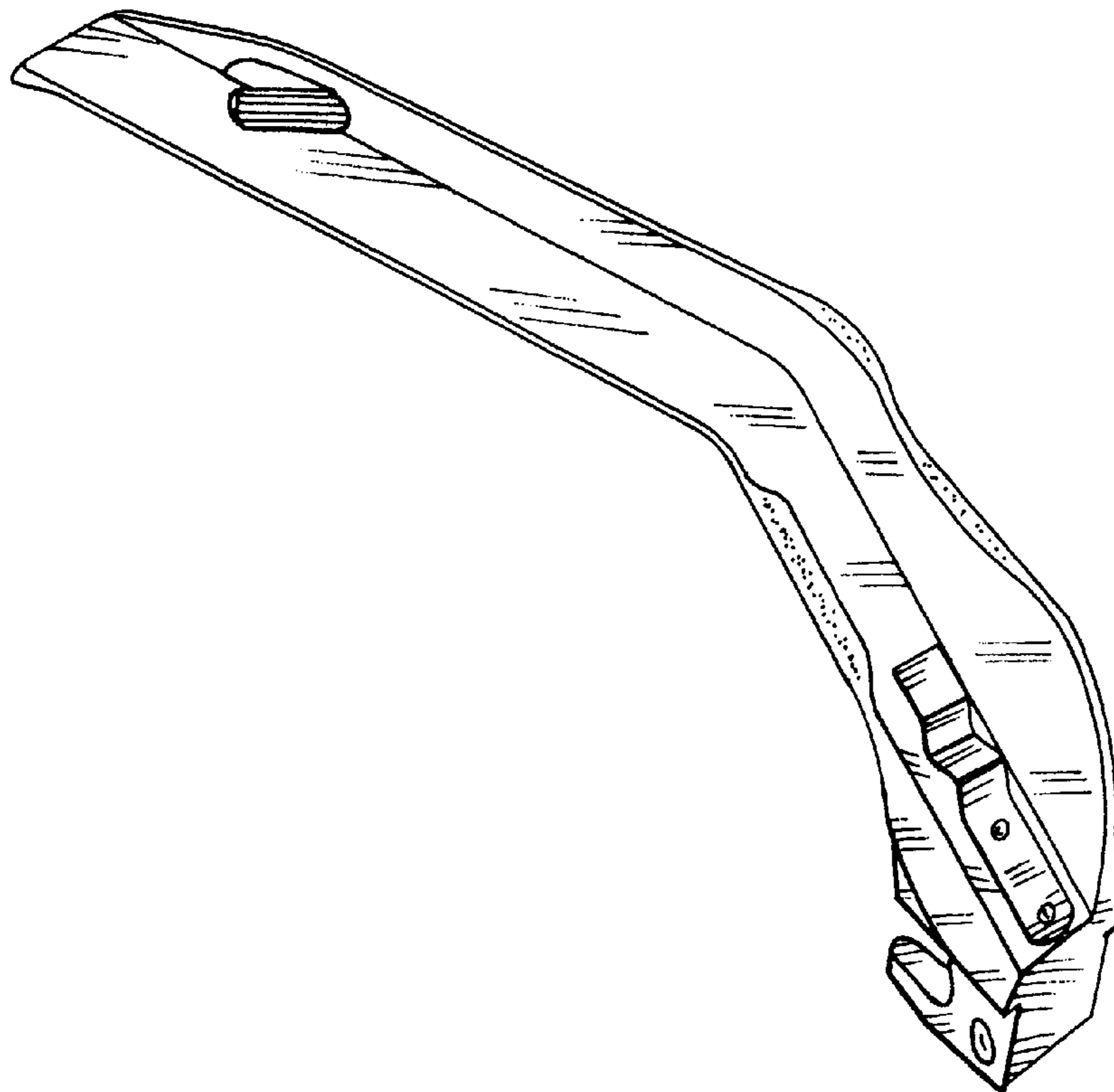
FIG. 8 is a sectional view thereof taken in the direction of the arrows upon the line 8—8 of FIG. 3;

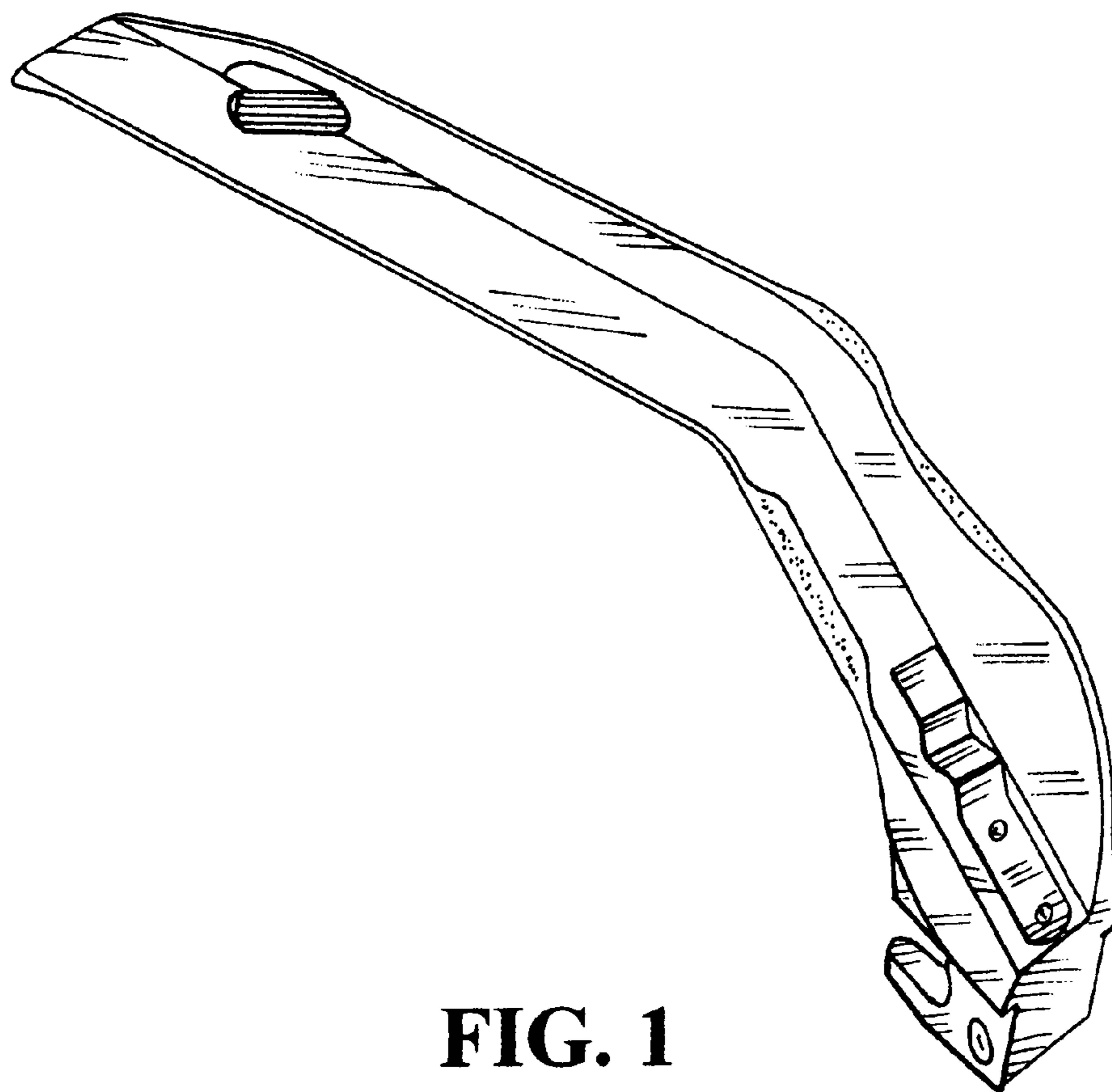
FIG. 9 is a top and rear perspective view of a combined laryngoscope and optical prism;

FIG. 10 is a side view thereof; and,

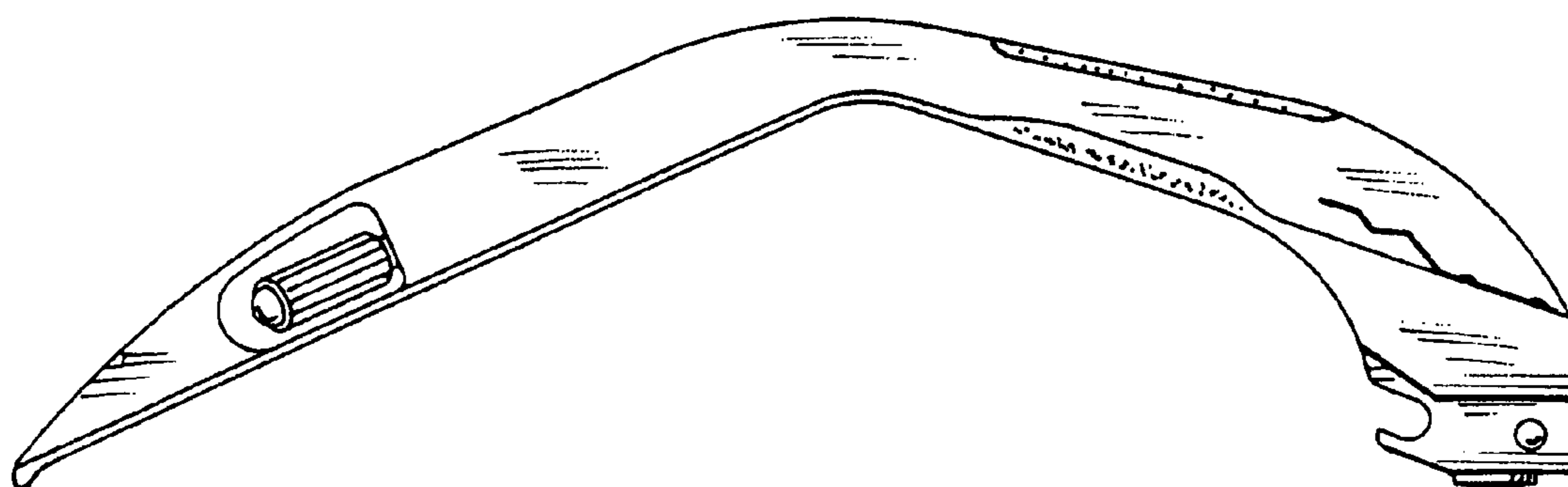
FIG. 11 is a top view thereof.

**1 Claim, 4 Drawing Sheets**

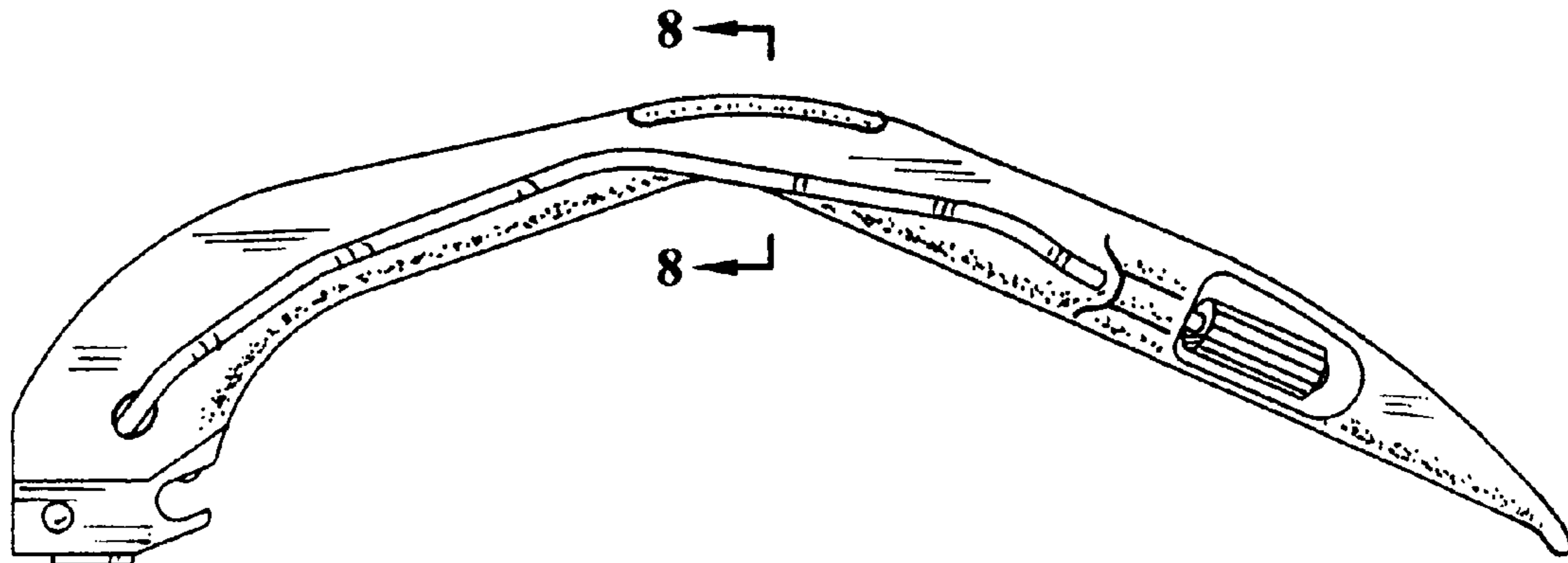




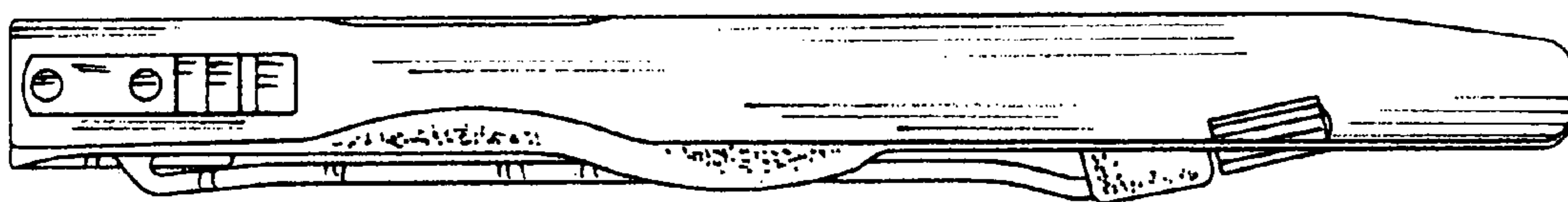
**FIG. 1**



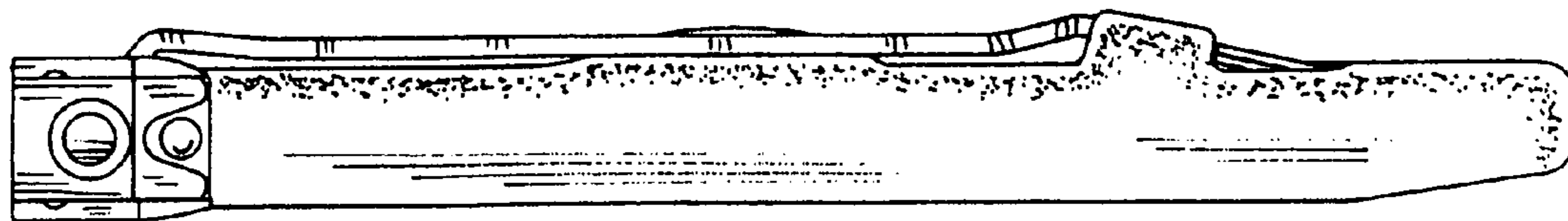
**FIG. 2**



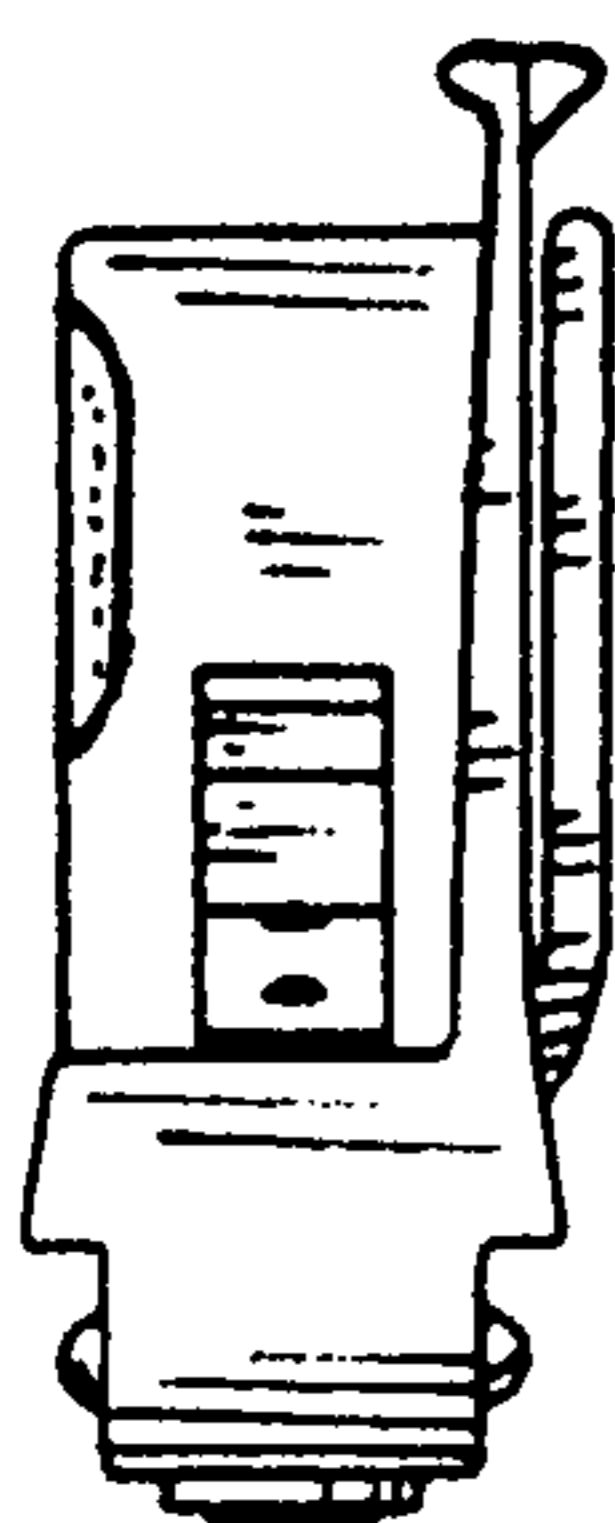
**FIG. 3**



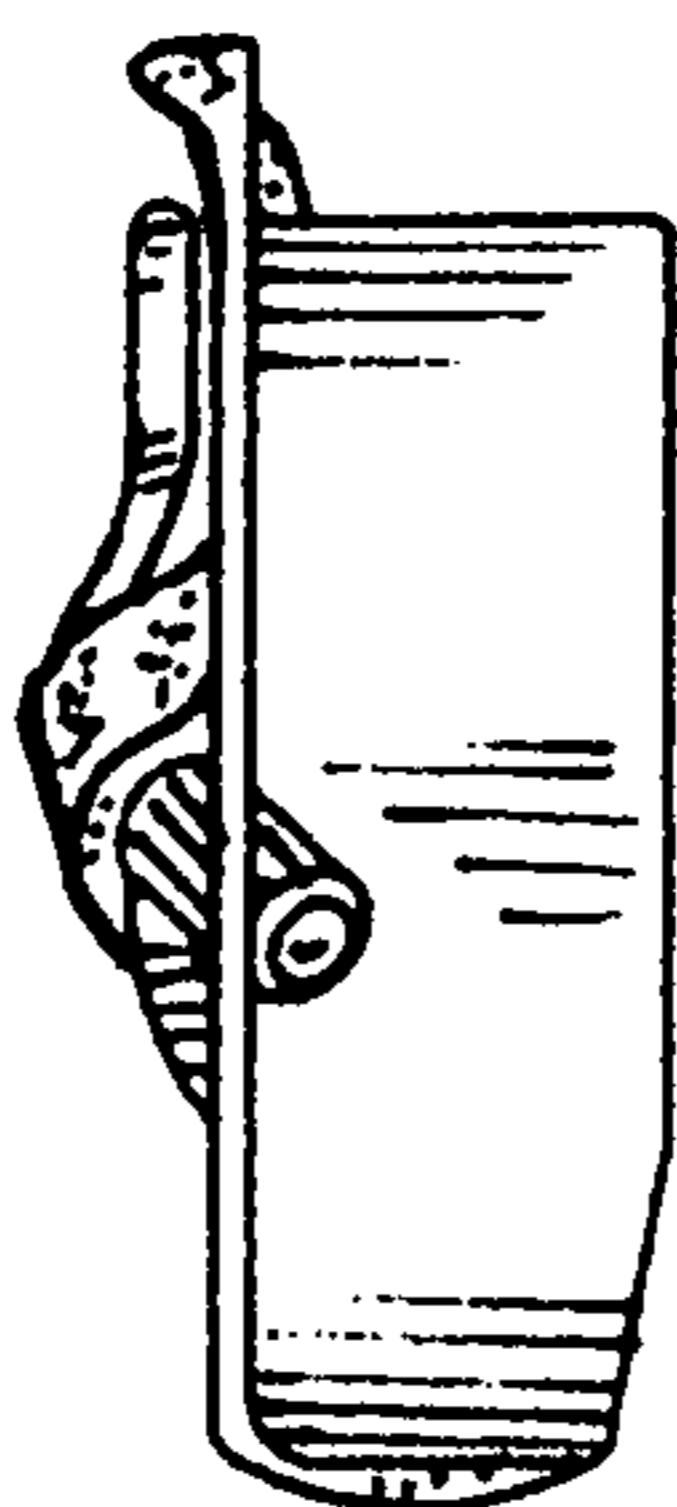
**FIG. 4**



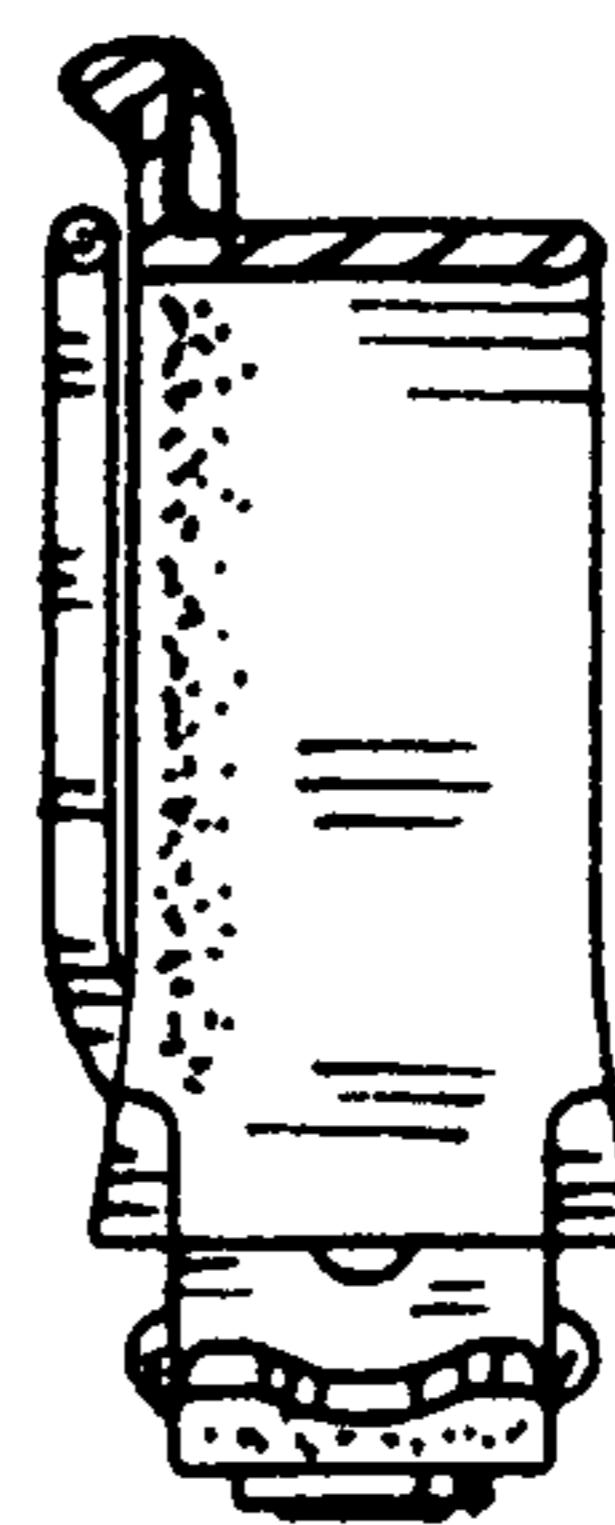
**FIG. 5**



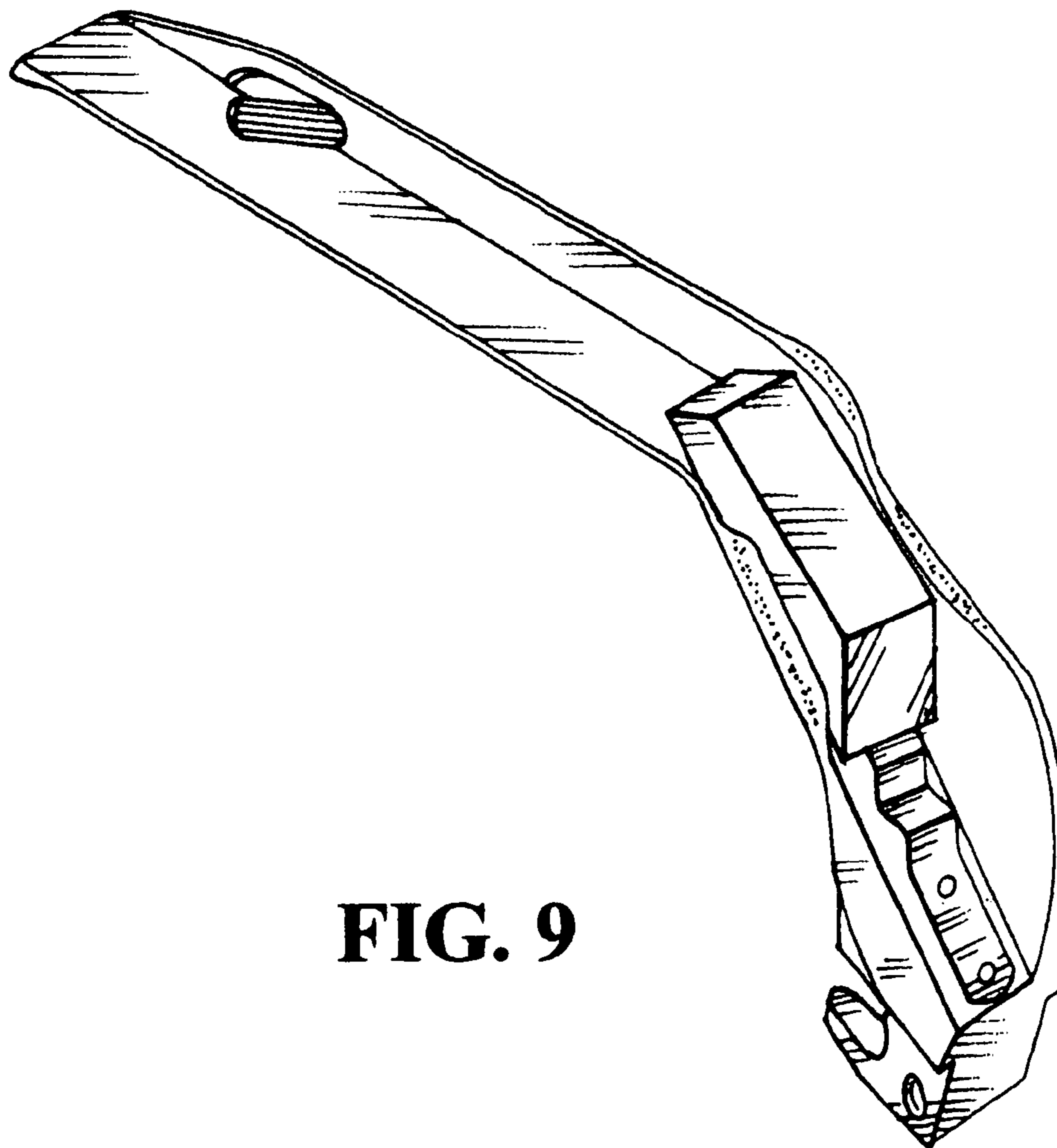
**FIG. 6**



**FIG. 7**



**FIG. 8**



**FIG. 9**

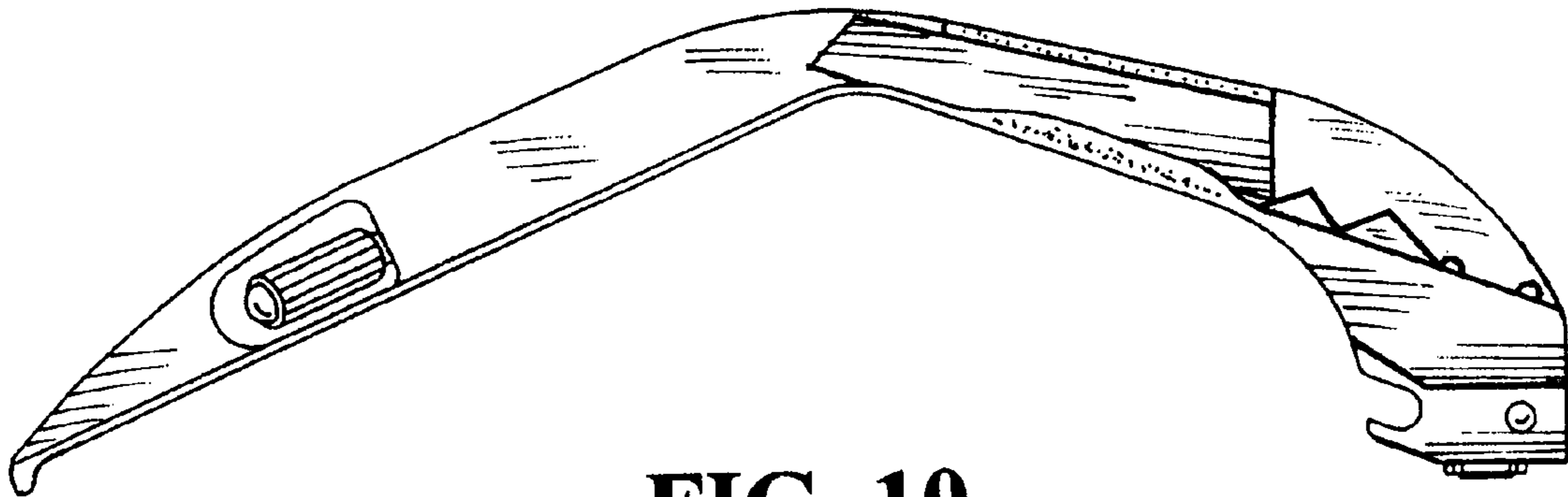


FIG. 10

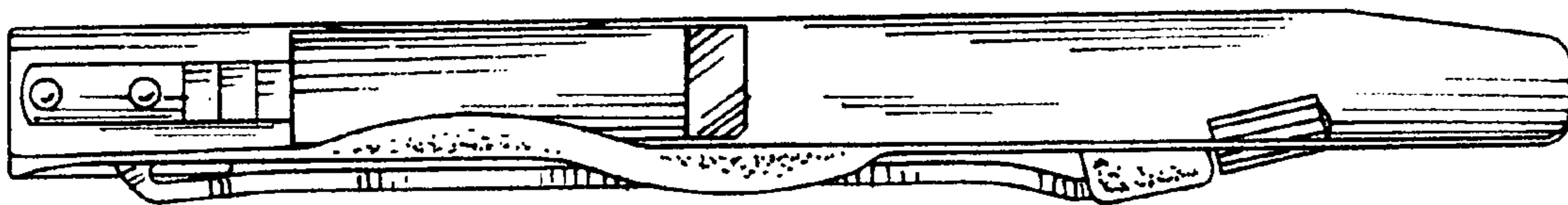


FIG. 11