



US00D584816S

(12) **United States Design Patent**
Koros et al.

(10) **Patent No.:** **US D584,816 S**

(45) **Date of Patent:** **** Jan. 13, 2009**

(54) **SURGICAL CLAMP**

(76) Inventors: **Tibor B. Koros**, 610 Flinn Ave.,
Moorpark, CA (US) 93021; **Gabriel J.
Koros**, 610 Flinn Ave., Moorpark, CA
(US) 93021

(**) Term: **14 Years**

(21) Appl. No.: **29/271,586**

(22) Filed: **Jan. 23, 2007**

(51) **LOC (9) Cl.** **24-02**

(52) **U.S. Cl.** **D24/135**

(58) **Field of Classification Search** D24/135,
D24/143; D8/394, 71, 72; 600/228, 219,
600/230, 231, 102

See application file for complete search history.

(56) **References Cited**

U.S. PATENT DOCUMENTS

D417,276 S * 11/1999 DeFonzo D24/135

D420,130 S * 2/2000 Nicholas et al. D24/135

D421,214 S * 2/2000 Koros et al. D8/394

D421,803 S * 3/2000 Koros et al. D24/135

D438,966 S * 3/2001 Koros et al. D24/135

D443,056 S * 5/2001 Koros et al. D24/135

* cited by examiner

Primary Examiner—Ian Simmons

Assistant Examiner—Christopher Lee

(57) **CLAIM**

The ornamental design for a surgical clamp, substantially as shown and described.

DESCRIPTION

FIG. 1 is an isometric view of a surgical clamp according to the invention showing our new design.

FIG. 2 is a front elevation view thereof,

FIG. 3 is a right side elevational view thereof;

FIG. 4 is a rear elevation view thereof,

FIG. 5 is a left side elevation view thereof,

FIG. 6 is a top plan view thereof; and,

FIG. 7 is a bottom plan view thereof.

1 Claim, 4 Drawing Sheets

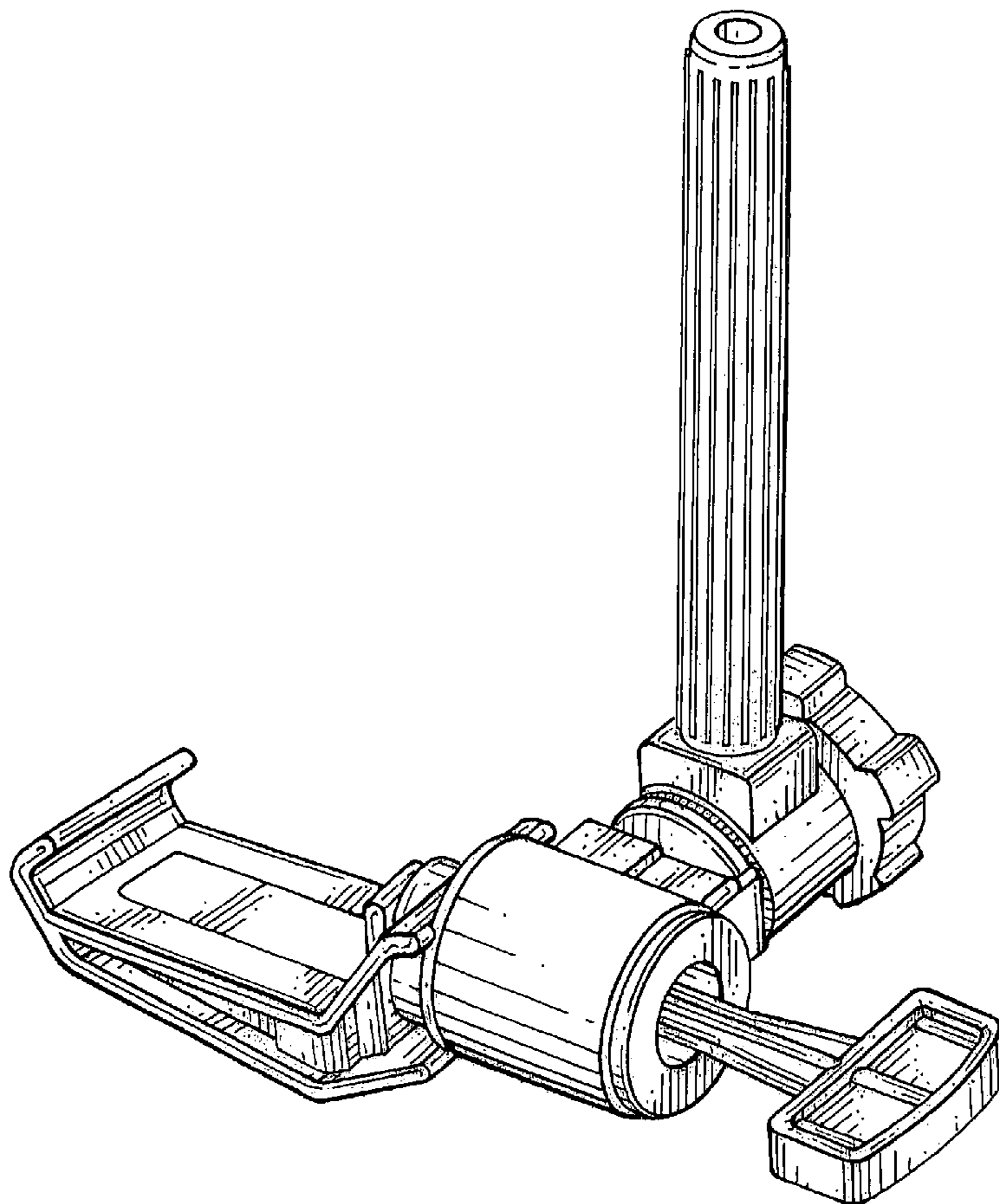
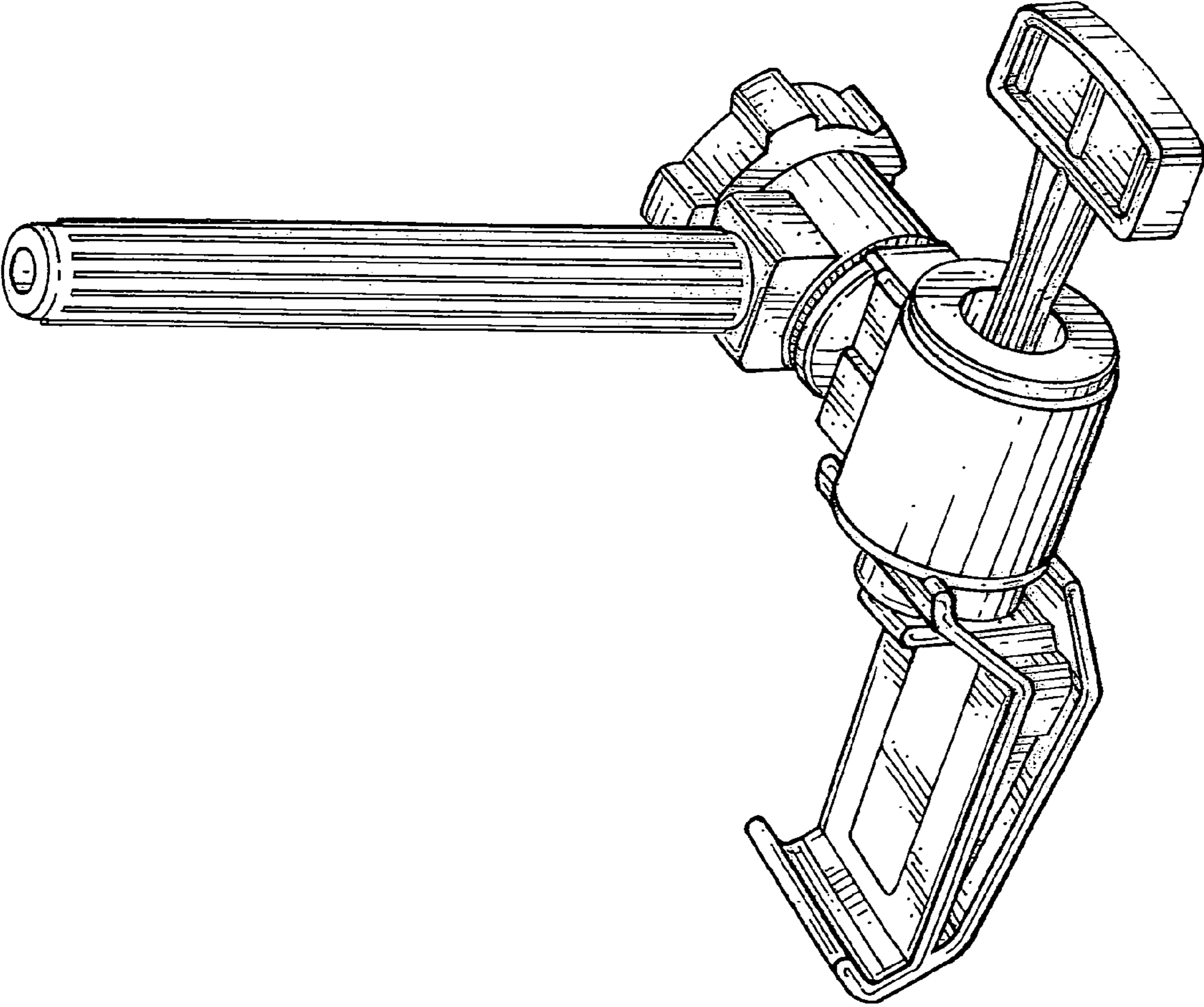


Fig. 1.



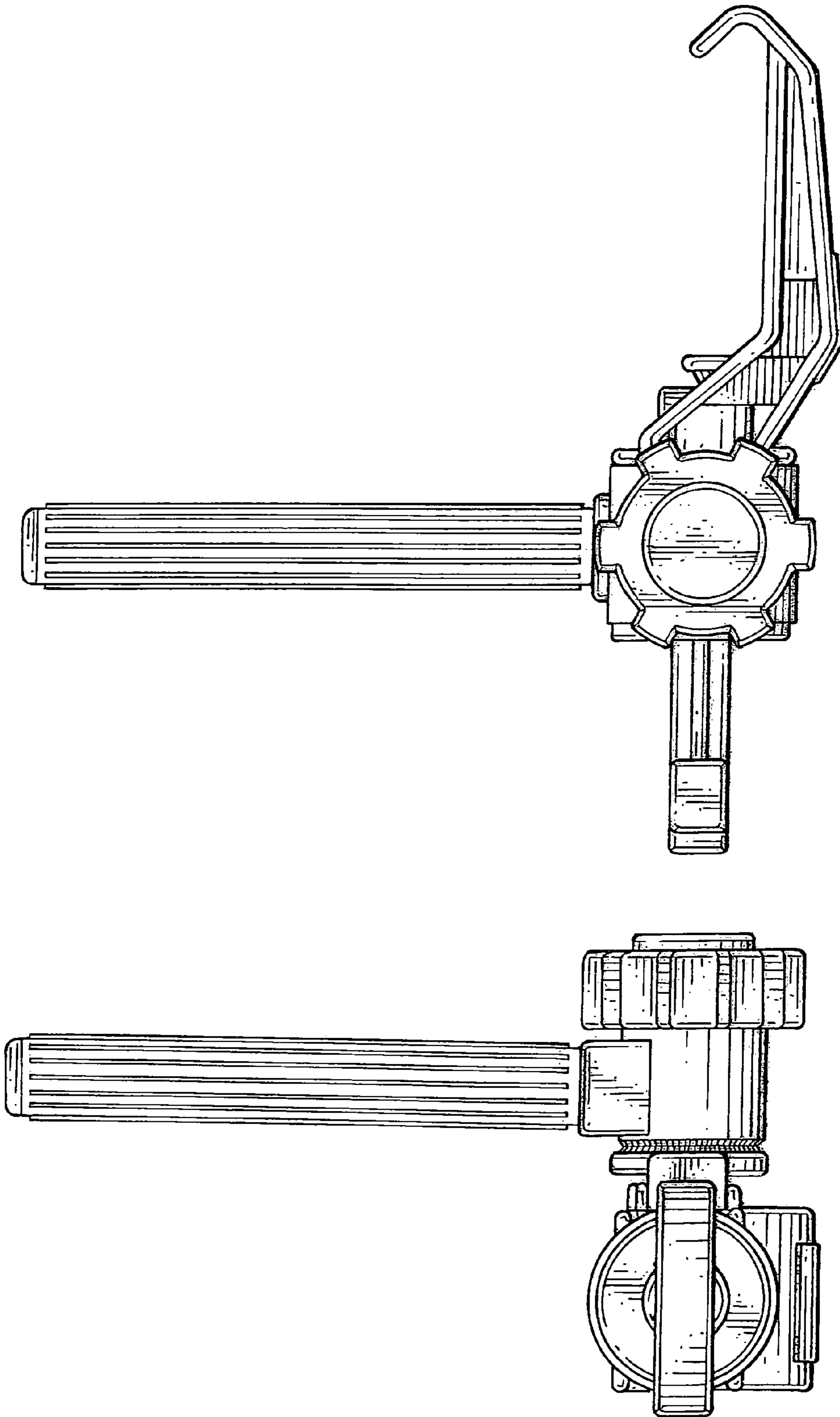


Fig. 2.

Fig. 3.

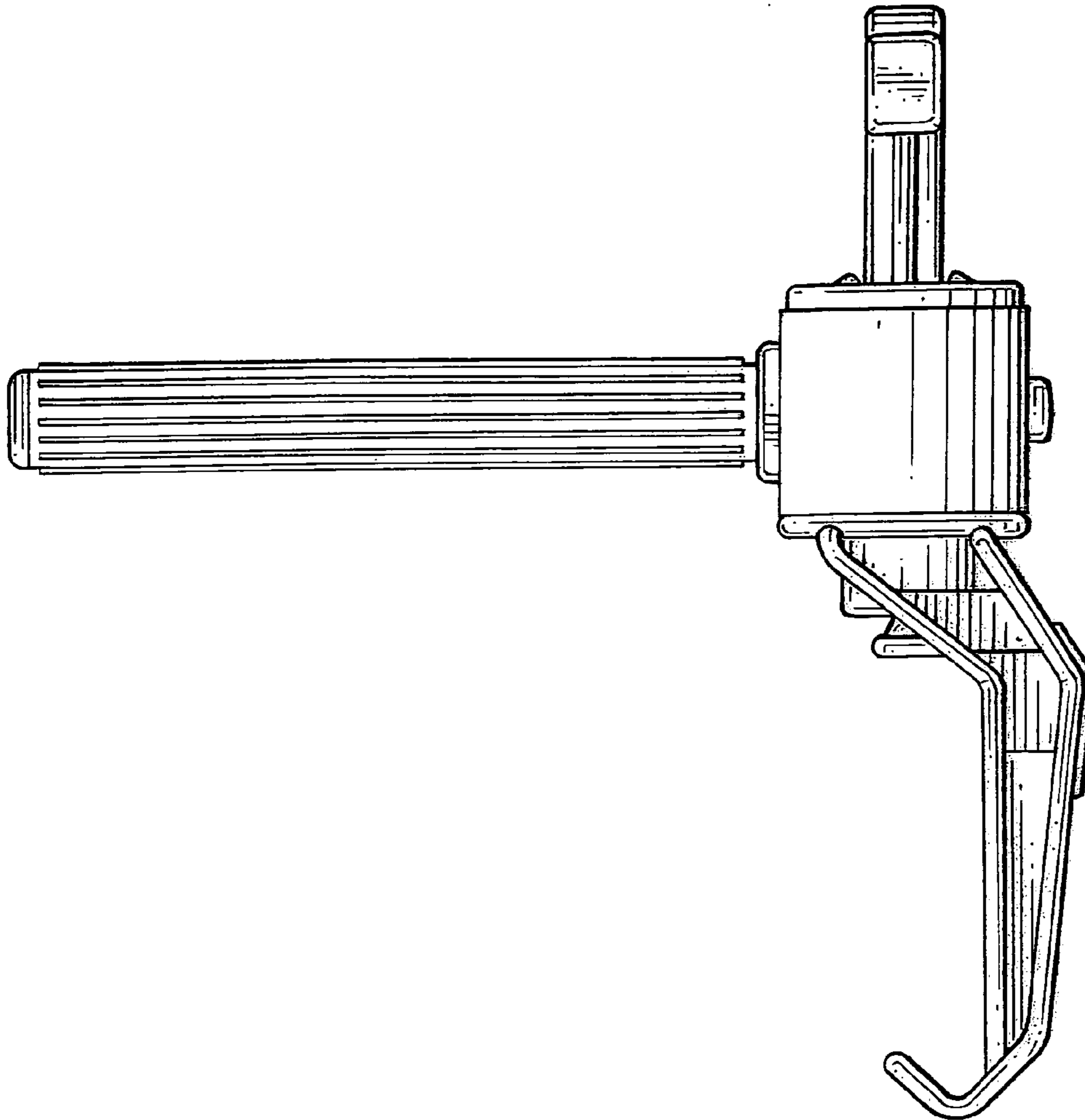


Fig. 5.

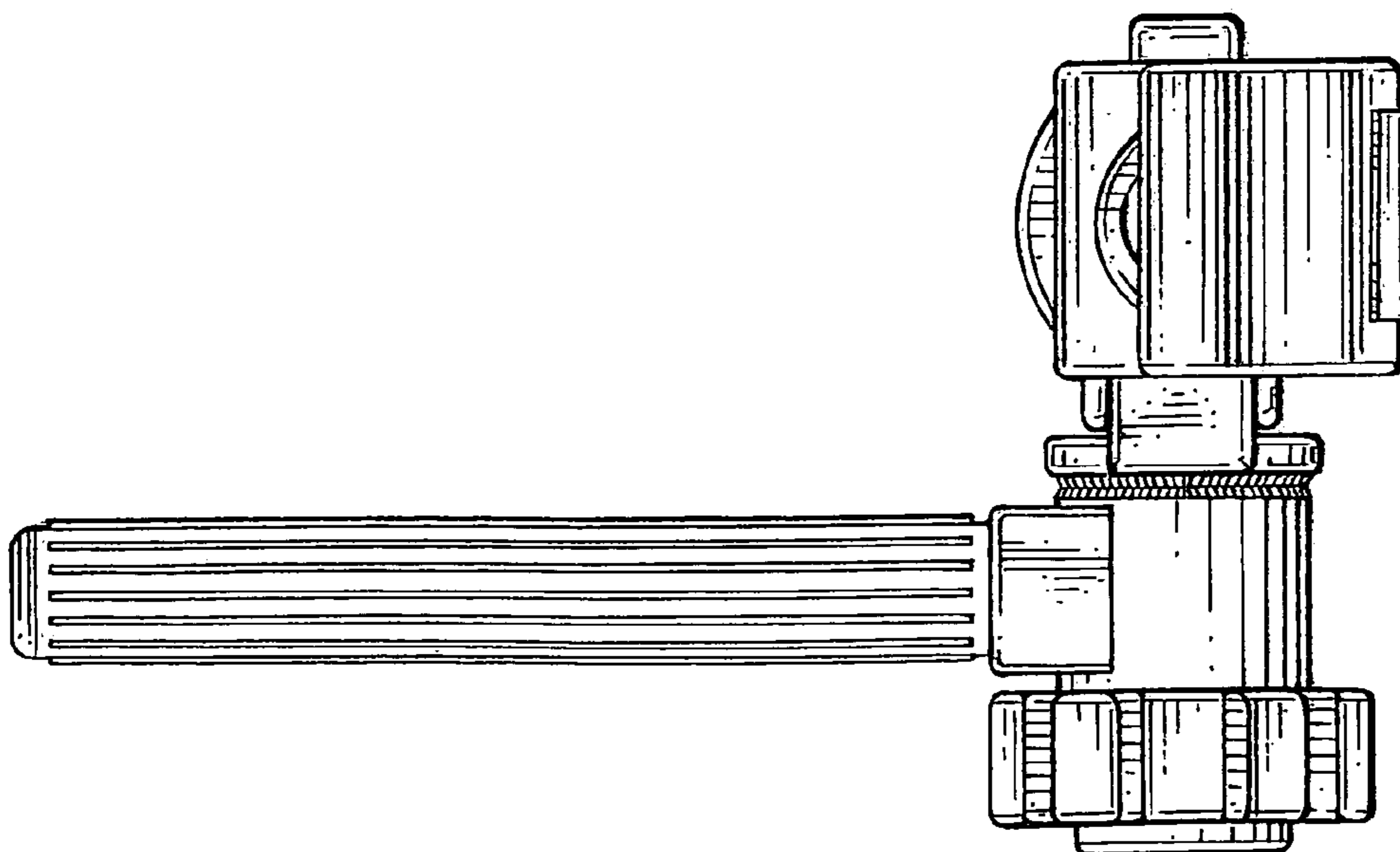


Fig. 4.

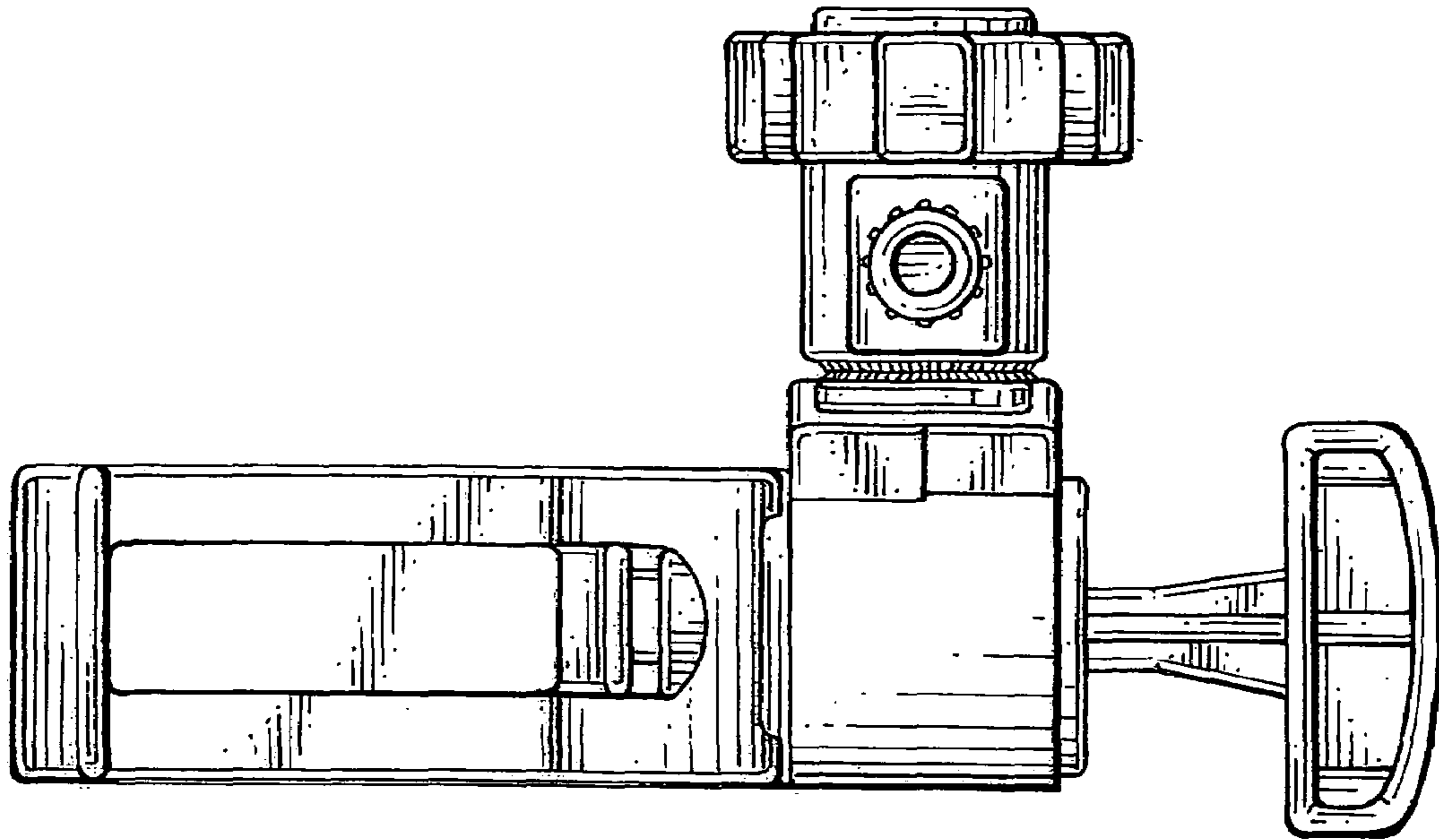


Fig. 6.

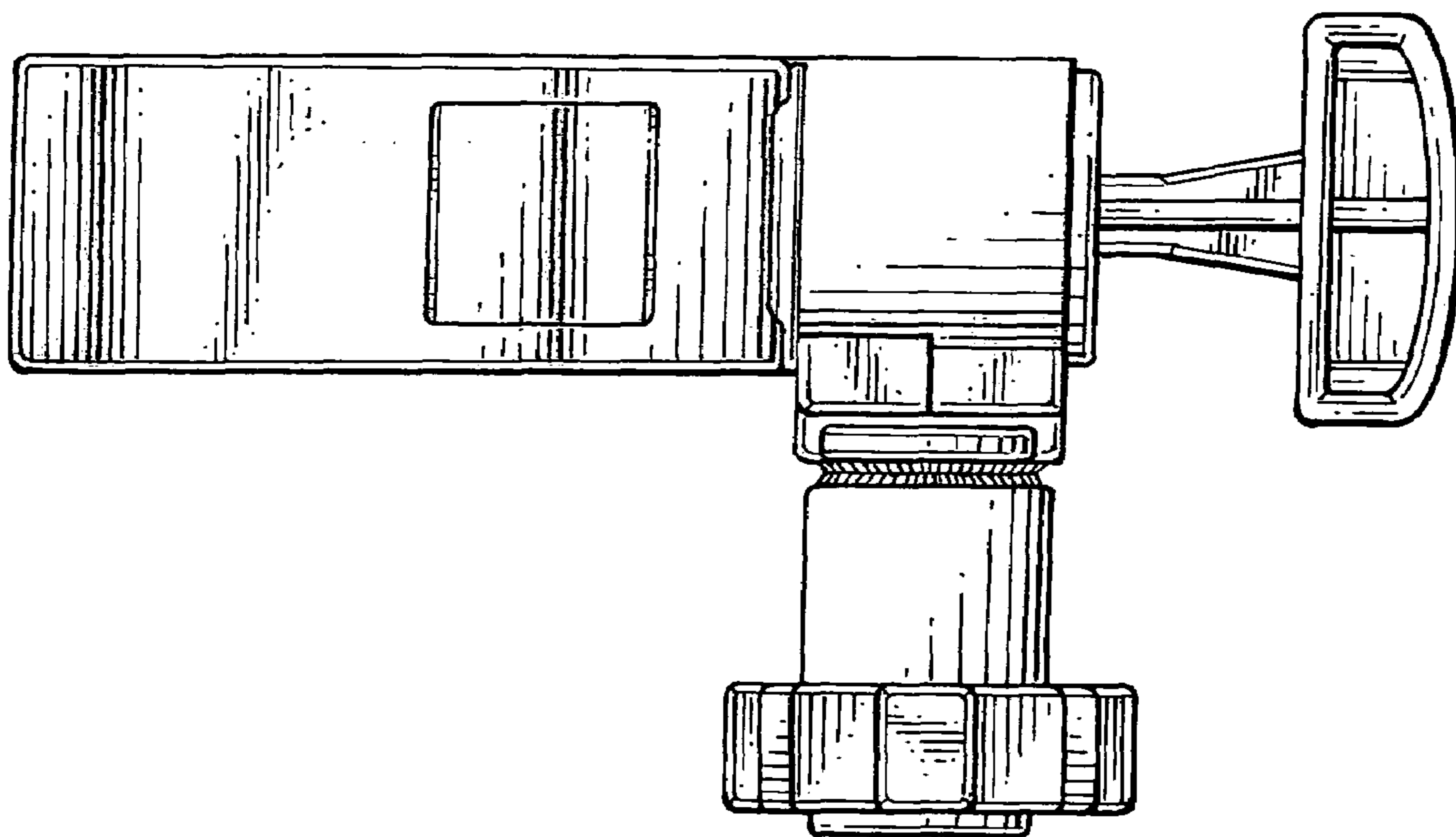


Fig. 7.