



US00D584813S

(12) **United States Design Patent**
Watanabe

(10) **Patent No.:** **US D584,813 S**
(45) **Date of Patent:** **** Jan. 13, 2009**

(54) **SWAB**

(76) Inventor: **Shinichiro Watanabe**,
SUKO-RE21-701, 1-4-28, Minamisenba,
Chuo-ku, Osaka 542-0081 (JP)

(**) Term: **14 Years**

(21) Appl. No.: **29/293,300**

(22) Filed: **Nov. 15, 2007**

(30) **Foreign Application Priority Data**

May 23, 2007 (JP) 2007-013609

(51) **LOC (9) Cl.** **24-02**

(52) **U.S. Cl.** **D24/119**

(58) **Field of Classification Search** D24/119,
D24/133, 147, 141, 140; 604/73, 1, 2, 19,
604/3, 309; D28/7, 8; 132/317; 600/572;
401/196; D16/330, 335, 338; 15/227
See application file for complete search history.

(56) **References Cited**

U.S. PATENT DOCUMENTS

D152,502 S * 1/1949 Stegman D16/335
3,018,778 A * 1/1962 Brilliant D24/119
D296,005 S * 5/1988 Alkire D24/119
4,776,835 A * 10/1988 Lee D24/119
4,894,948 A * 1/1990 Eubanks 401/196
D363,544 S * 10/1995 Rowland et al. D24/140
D367,204 S * 2/1996 Hook D28/7
D371,568 S * 7/1996 Nakabayashi D16/335
D371,569 S * 7/1996 Mikame D16/335

6,510,576 B1 * 1/2003 Gruber 15/227
D517,208 S * 3/2006 Evans-Gorden D24/119
D552,792 S * 10/2007 Bargiel et al. D28/7
D573,753 S * 7/2008 Tsauro D28/7

* cited by examiner

Primary Examiner—Louis S Zarfaz
Assistant Examiner—David G Muller
(74) *Attorney, Agent, or Firm*—Wood, Phillips, Katz, Clark &
Mortimer

(57) **CLAIM**

The ornamental design for a swab, as shown and described.

DESCRIPTION

FIG. 1 is a top, plan view of a swab showing my new design;
FIG. 2 is a front elevation view thereof;
FIG. 3 is a left side elevation view thereof;
FIG. 4 is a right side elevation view thereof;
FIG. 5 is a bottom plan view thereof;
FIG. 6 is a rear elevation view thereof;
FIG. 7 is an enlarged, fragmentary, front, elevation view
thereof; and,
FIG. 8 is a left, front, and top perspective view thereof.

The features shown in broken lines in FIGS. 1–8 depict envi-
ronmental subject matter only and form no part of the claimed
design.

The broken line which defines the bounds of the claimed
design forms no part thereof.

1 Claim, 3 Drawing Sheets

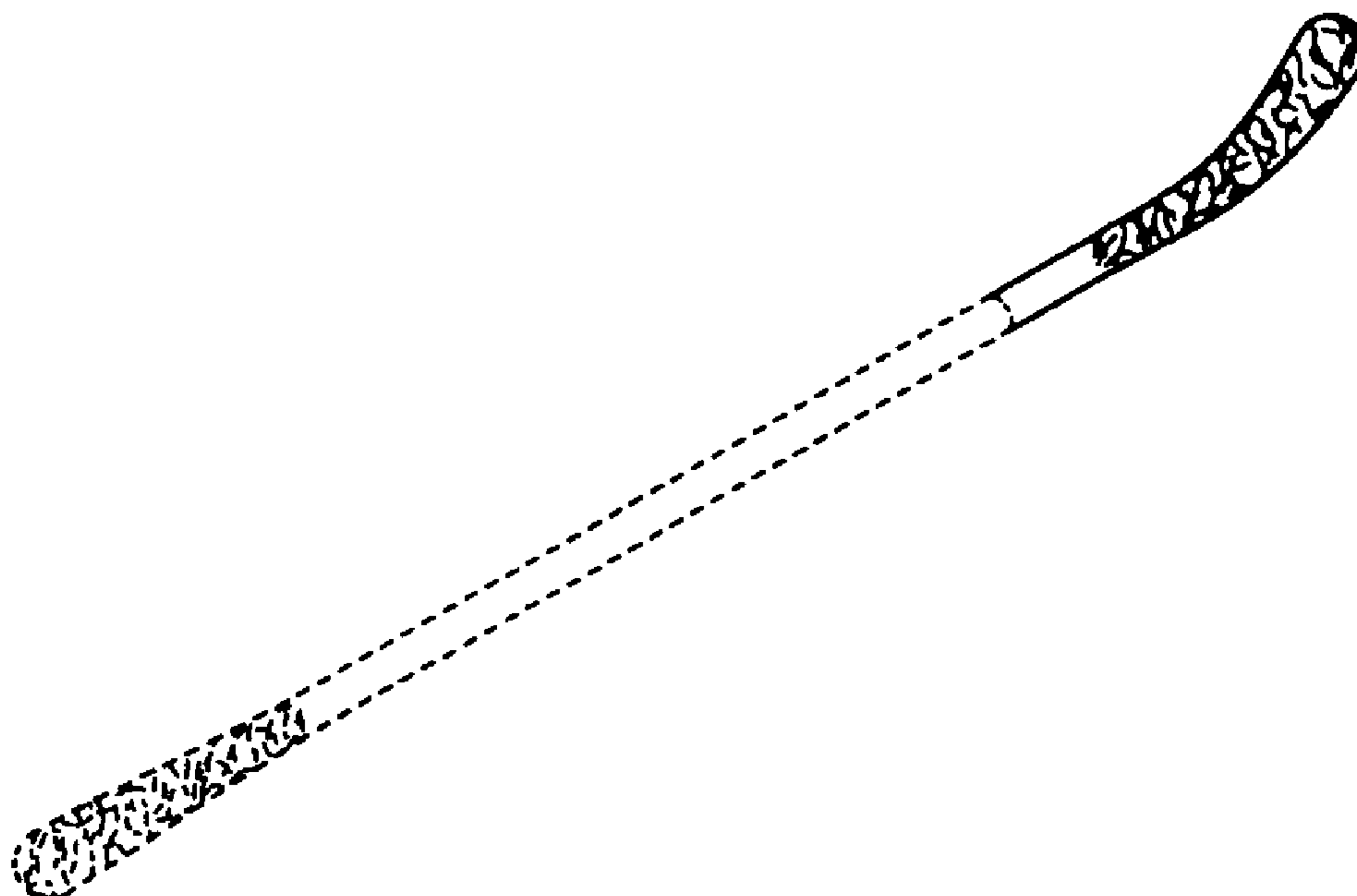


Fig.1

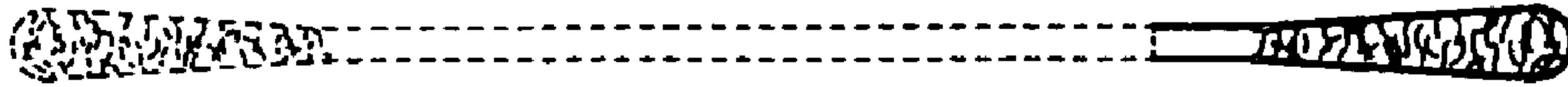


Fig.2



Fig.3



Fig.4



Fig.5

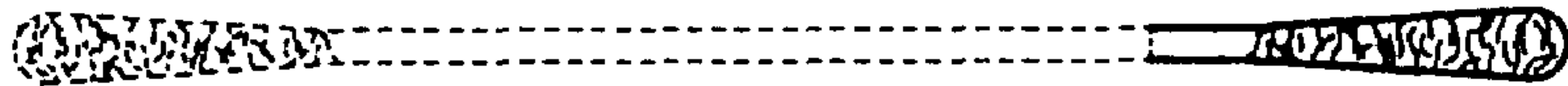


Fig.6

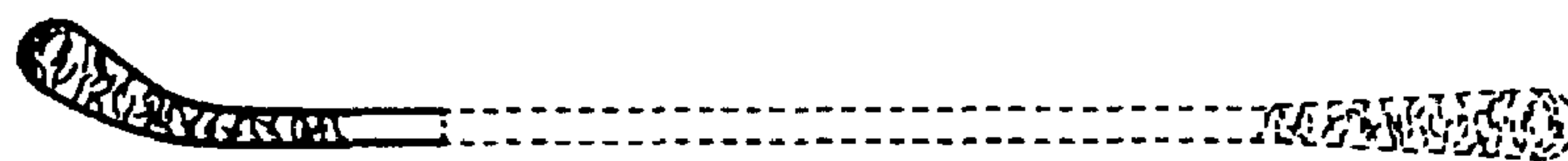


Fig.7

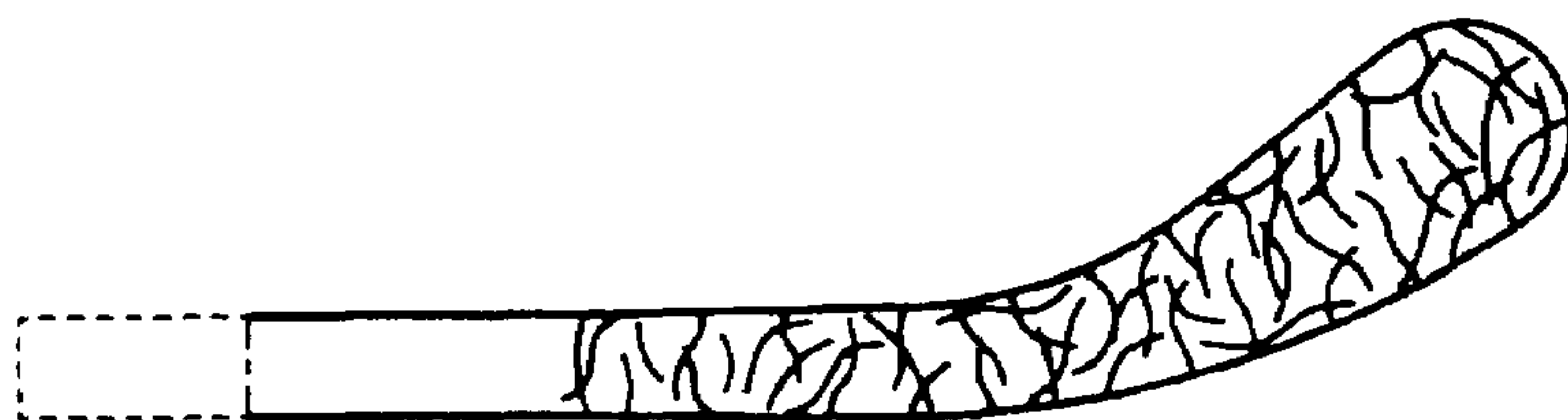


Fig.8

