



US00D584808S

(12) **United States Design Patent**
Moreno Pérez et al.

(10) **Patent No.:** **US D584,808 S**
(45) **Date of Patent:** **** Jan. 13, 2009**

(54) **AIR FRESHENER DEVICE**

(75) Inventors: **David Moreno Pérez**, Barcelona (ES);
Rubén Garcia Fábrega, Barcelona
(ES); **Andrea Caserta**, Barcelona (ES)

(73) Assignee: **Zobebe Espana, S.A.** (ES)

(**) Term: **14 Years**

(21) Appl. No.: **29/289,079**

(22) Filed: **Jul. 5, 2007**

(30) **Foreign Application Priority Data**

Jan. 10, 2007 (EM) 000648977

(51) **LOC (9) Cl.** **28-99**

(52) **U.S. Cl.** **D23/366**

(58) **Field of Classification Search** D23/355-396;
261/DIG. 17, DIG. 43, DIG. 65, DIG. 88,
261/DIG. 89; 239/34, 35, 53, 56, 57, 60,
239/136, 326; 392/386, 394, 395; D28/5,
D28/6

See application file for complete search history.

(56) **References Cited**

U.S. PATENT DOCUMENTS

D49,681 S * 9/1916 Walton D23/366

D324,910 S * 3/1992 Portis D23/366
D334,800 S * 4/1993 Portis D23/366
5,775,876 A * 7/1998 Walker et al. 416/62
D474,267 S * 5/2003 Mosley, Sr. D23/366
6,613,287 B1 * 9/2003 McElligott 422/124
D553,230 S * 10/2007 Caserta et al. D23/360

* cited by examiner

Primary Examiner—Sandra Snapp

(74) *Attorney, Agent, or Firm*—Ostrolenk, Faber, Gerb &
Soffen, LLP

(57) **CLAIM**

The ornamental design for a air freshener device, as shown.

DESCRIPTION

FIG. 1 is a front, elevational view of a air freshener device showing my new design;

FIG. 2 is a right side elevational view thereof;

FIG. 3 is a back elevational view thereof;

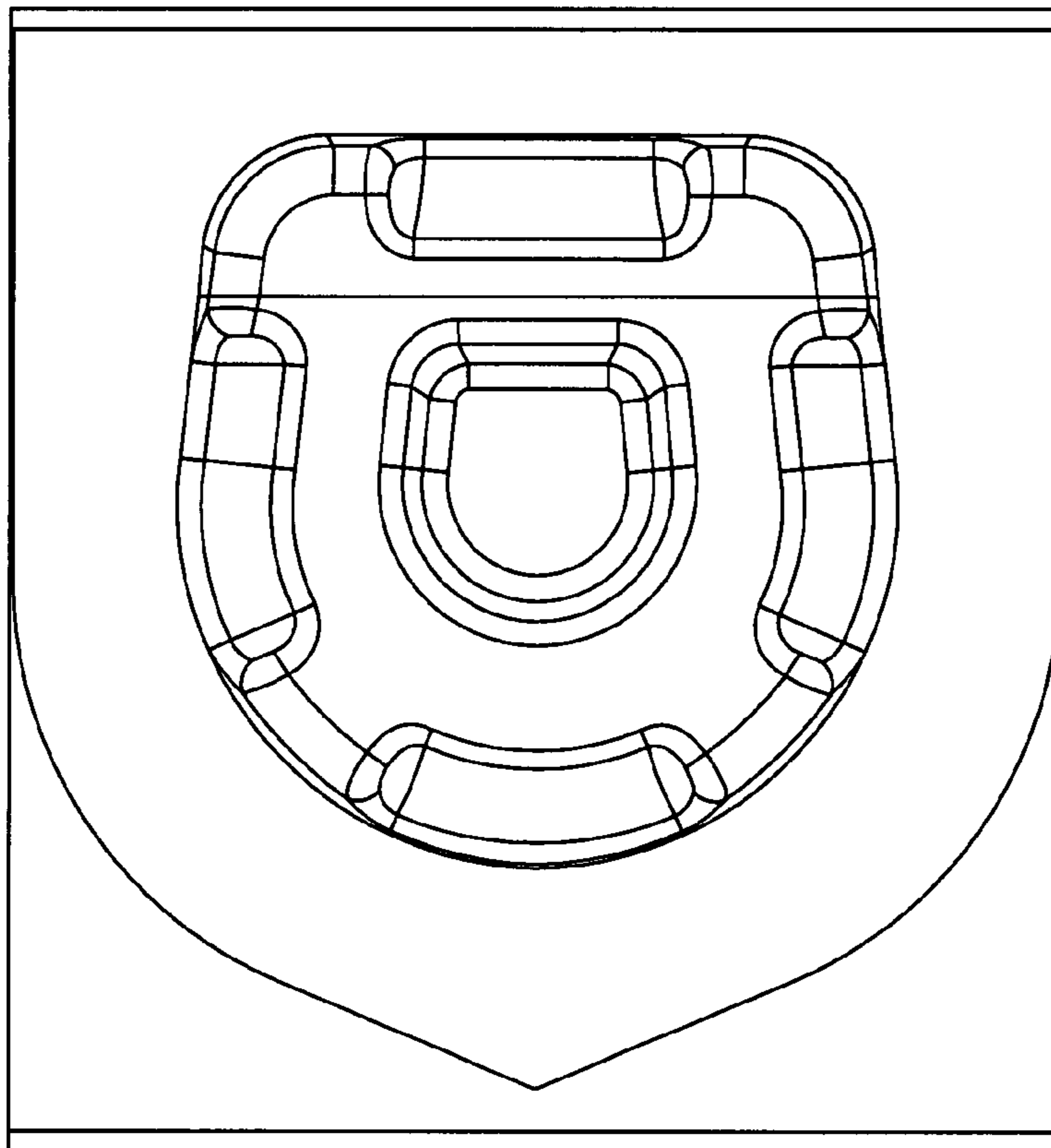
FIG. 4 is a top plan view thereof;

FIG. 5 is a left side elevational view thereof;

FIG. 6 is a bottom plan view thereof; and,

FIG. 7 is a perspective view thereof.

1 Claim, 7 Drawing Sheets



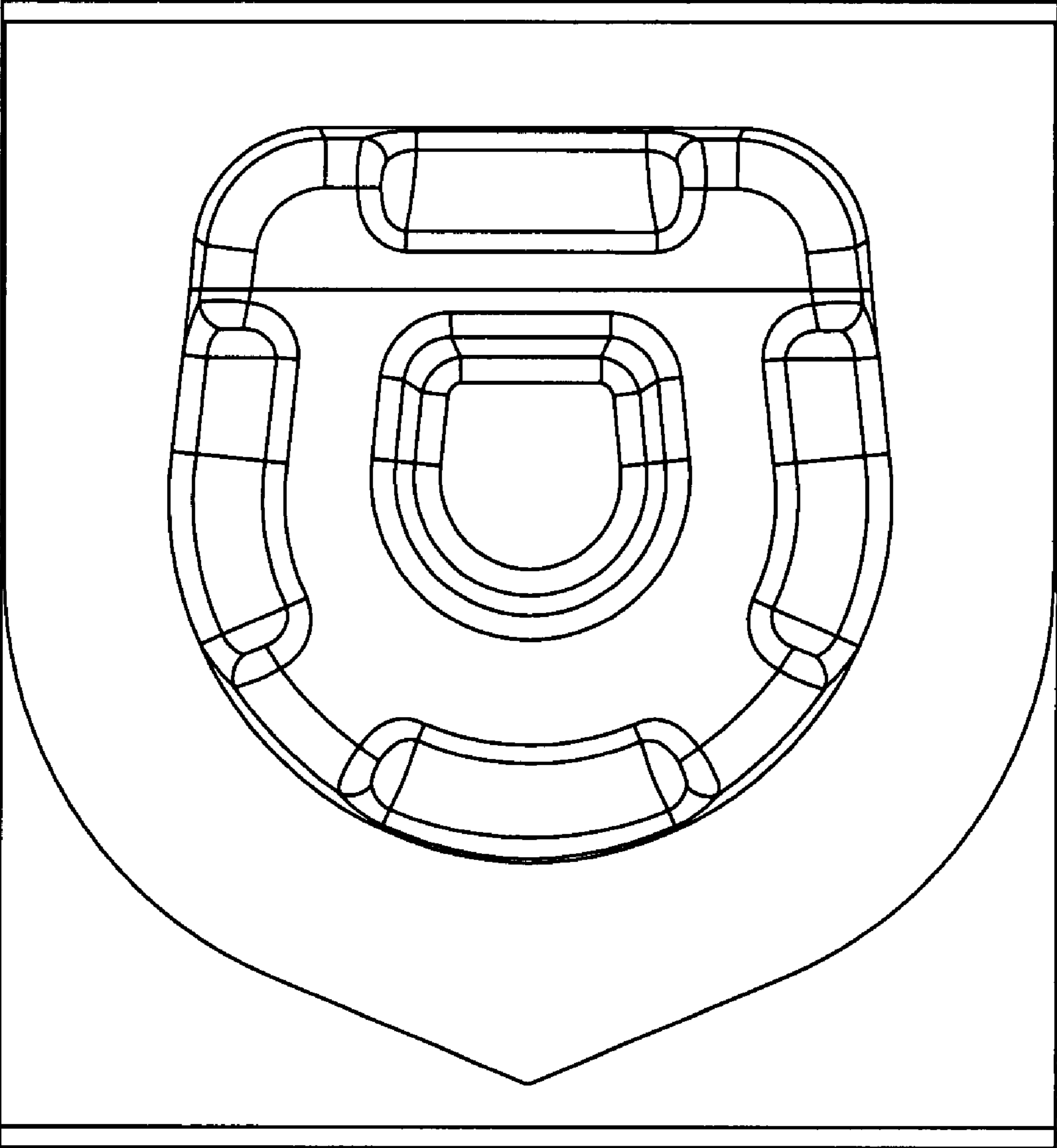


FIG. 1

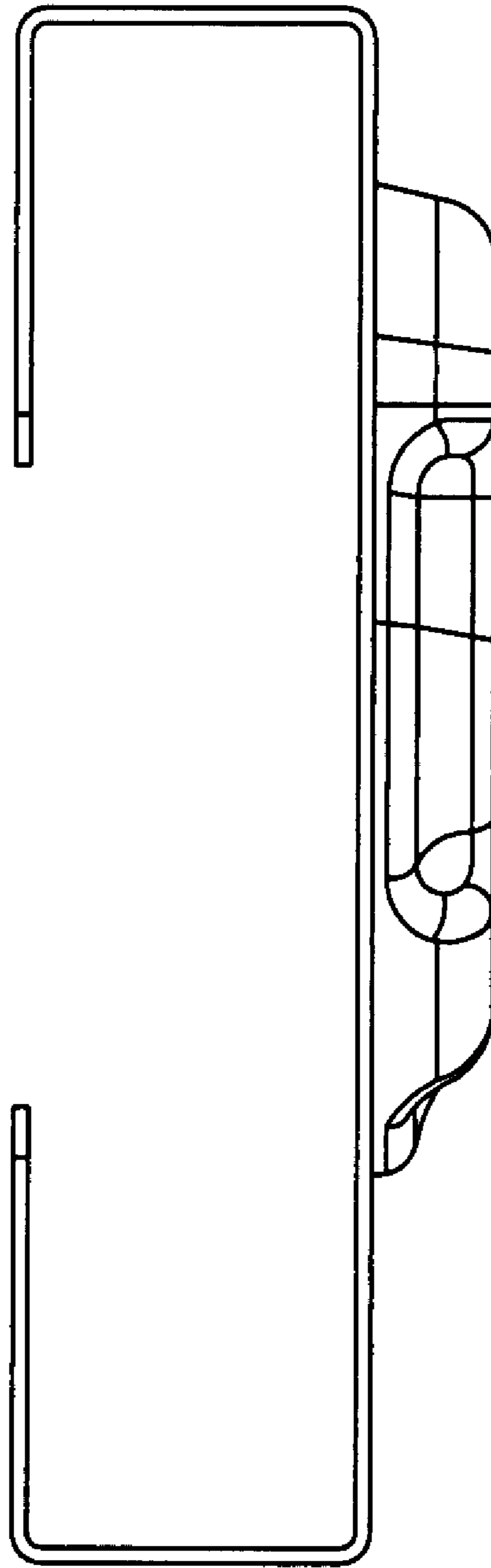


FIG. 2

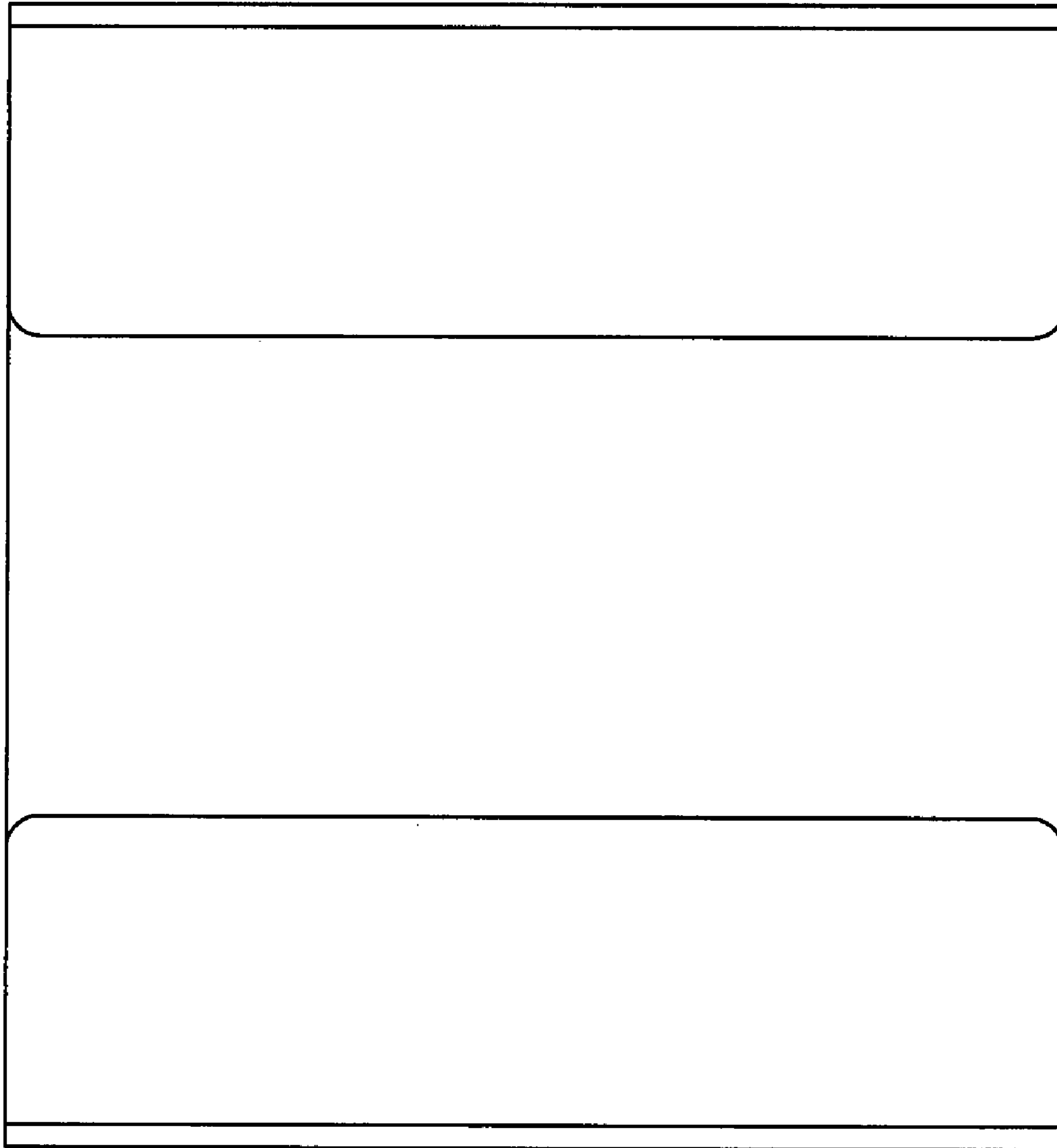


FIG. 3

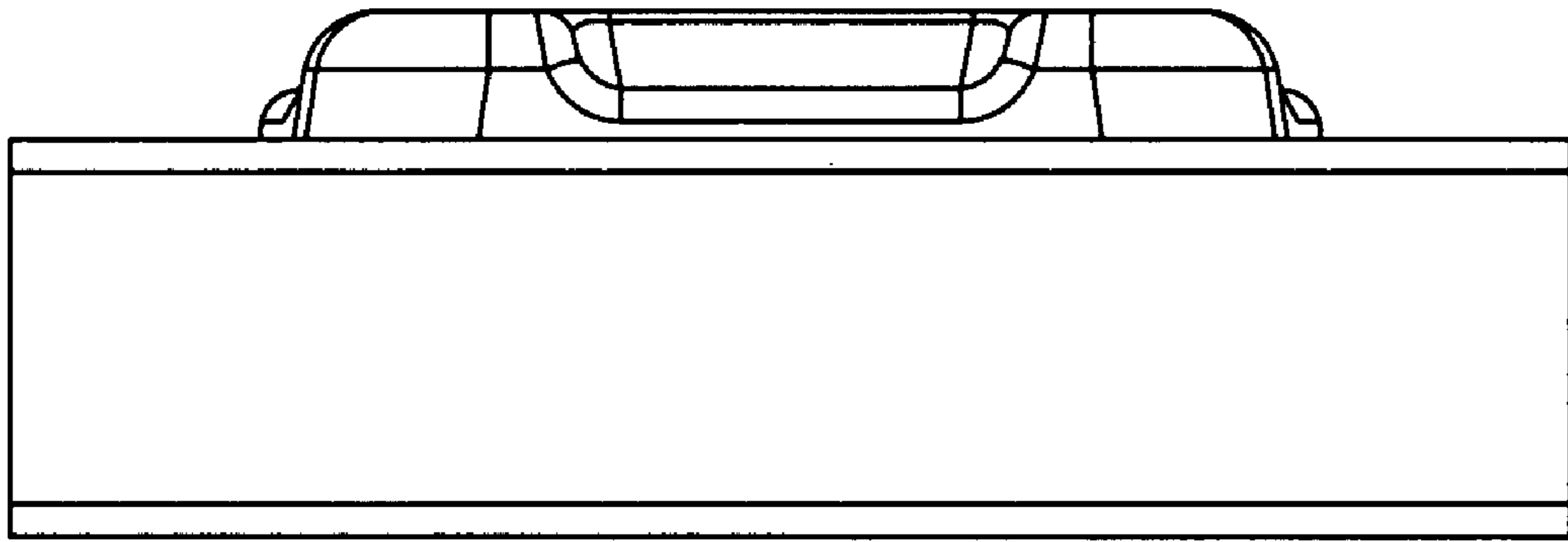


FIG. 4

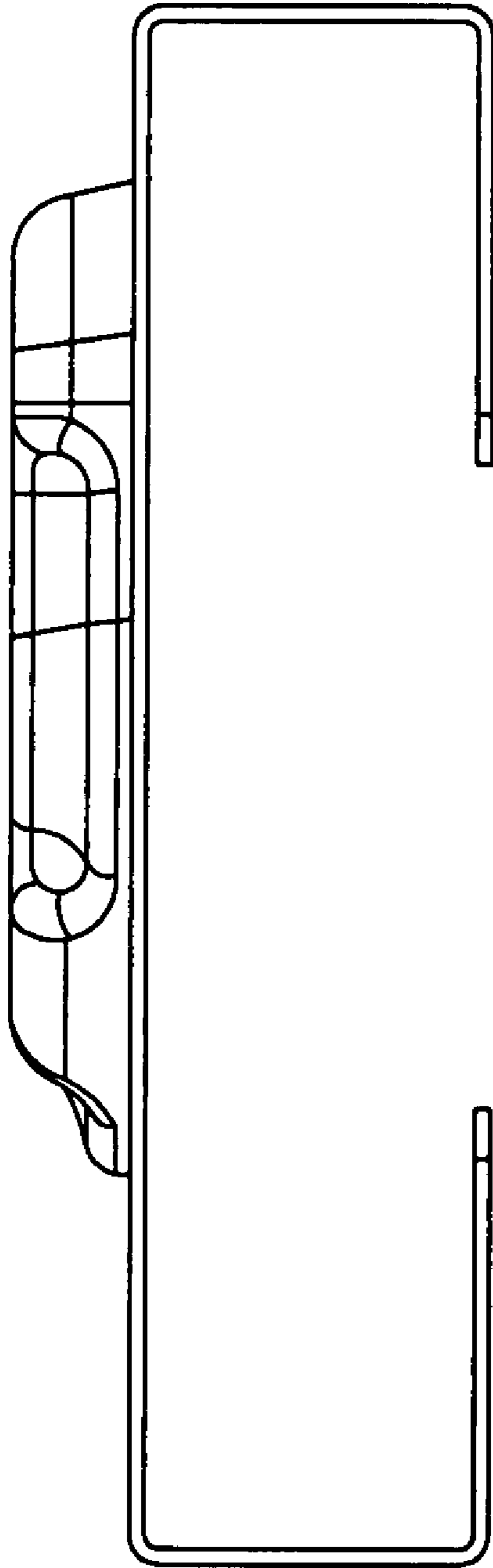


FIG. 5

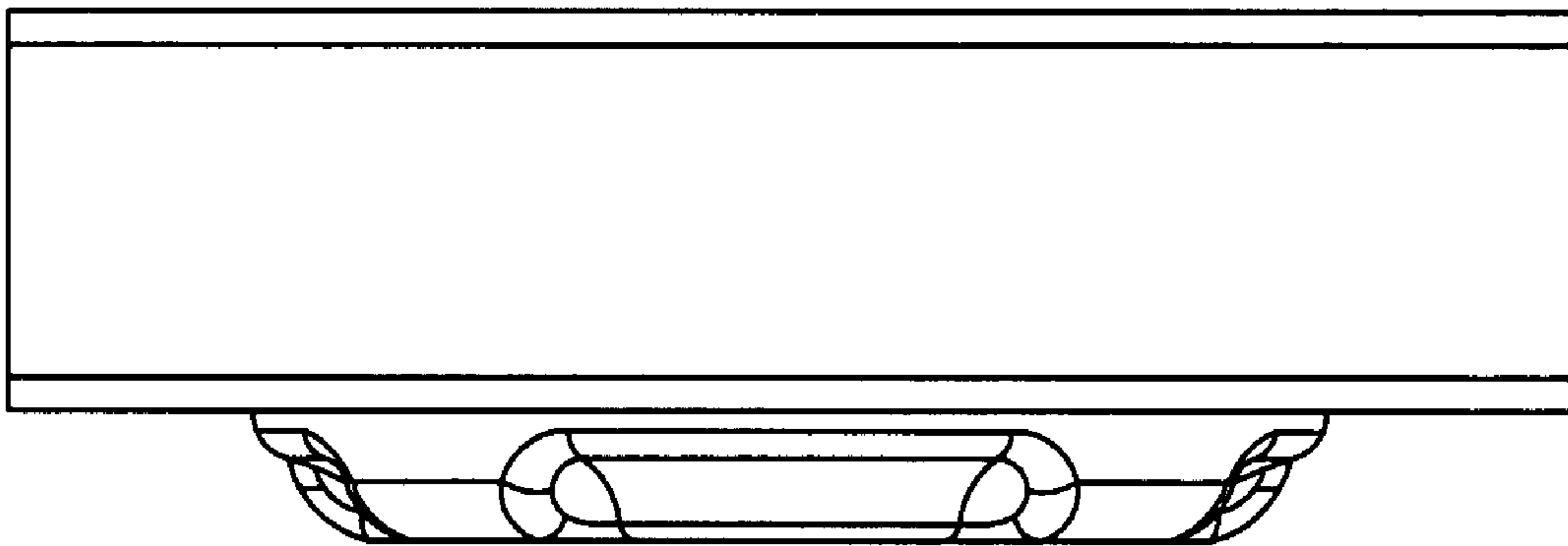


FIG. 6

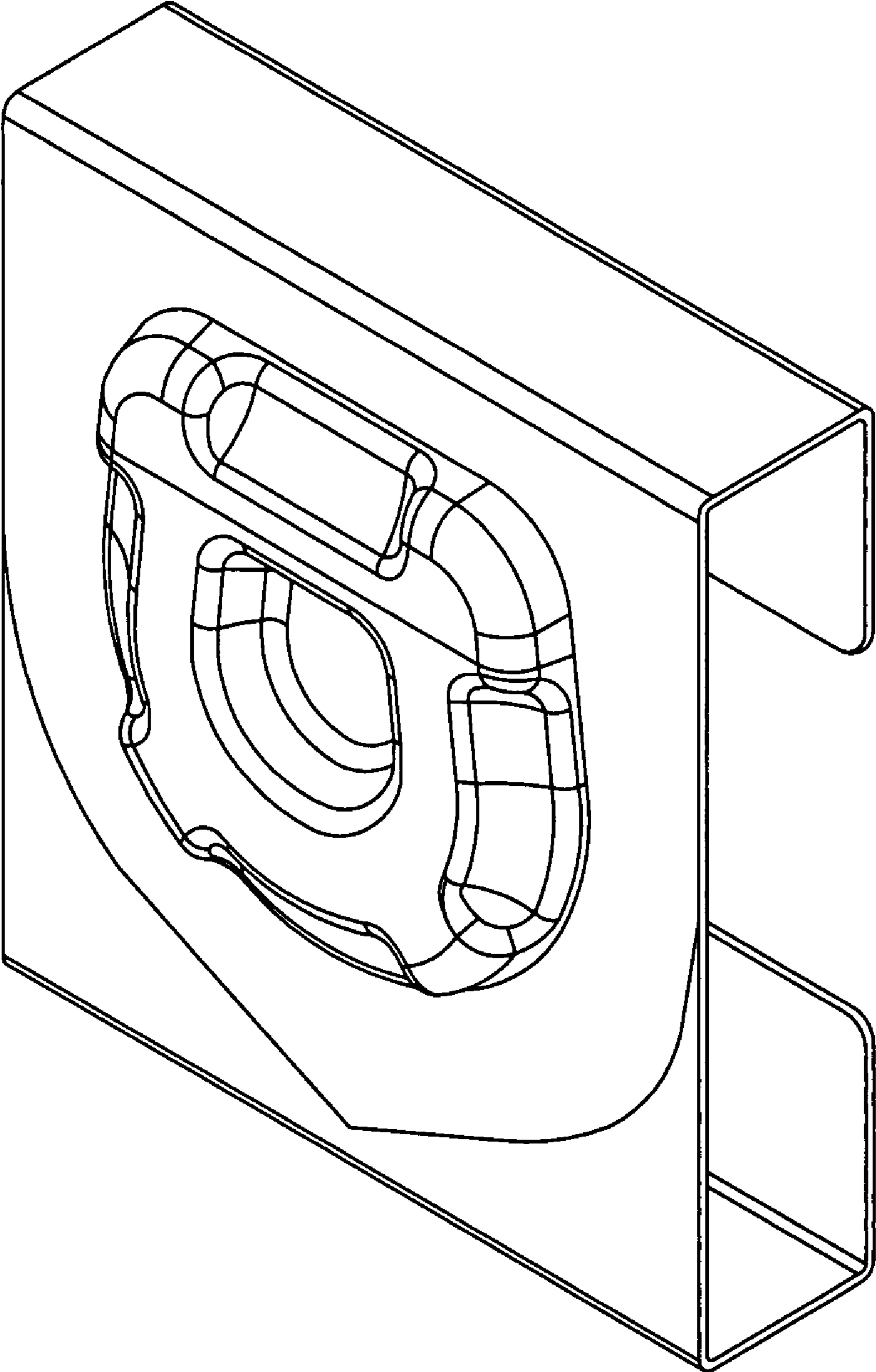


FIG. 7