



US00D584802S

(12) **United States Design Patent**
Goodridge

(10) **Patent No.:** **US D584,802 S**
(45) **Date of Patent:** **** Jan. 13, 2009**

(54) **COUPLING FOR PIPES AND HOSING**

(75) Inventor: **Stuart Goodridge**, Exeter (GB)

(73) Assignee: **Goodridge (UK) Ltd.**, Exeter (GB)

(**) Term: **14 Years**

(21) Appl. No.: **29/286,573**

(22) Filed: **May 11, 2007**

(30) **Foreign Application Priority Data**

Mar. 14, 2007 (EM) 000692173

(51) **LOC (9) Cl.** **23-01**

(52) **U.S. Cl.** **D23/262**

(58) **Field of Classification Search** D23/259-262,
D23/264, 266; 137/614.04; 251/149, 343;
285/242-243, 369, 372, 373, 417; 138/109
See application file for complete search history.

(56) **References Cited**

U.S. PATENT DOCUMENTS

1,336,123	A *	4/1920	Barnes	251/149.8
1,532,886	A *	4/1925	Cowles	285/243
2,657,251	A *	10/1953	Bergan	174/660
2,810,594	A *	10/1957	Walsh et al.	285/258
D254,863	S *	4/1980	Hayes	D23/262
D265,418	S *	7/1982	Chow et al.	D23/262
D283,342	S *	4/1986	Tisserat et al.	D23/262

D307,790	S *	5/1990	Bjorkman et al.	D23/266
D318,102	S *	7/1991	Papai	D23/266
D333,178	S *	2/1993	Novy	D23/262
5,275,447	A *	1/1994	McNab	285/148.23
5,577,777	A *	11/1996	Singh et al.	285/354
D403,056	S *	12/1998	Clivio	D23/262
D512,492	S *	12/2005	Lipscomb et al.	D23/259
D517,667	S *	3/2006	Sener et al.	D23/262
2006/0266428	A1 *	11/2006	Pajaro Gonzalez et al.	..	138/96 T

* cited by examiner

Primary Examiner—Louis S Zarfaz

Assistant Examiner—Eric L Goodman

(74) *Attorney, Agent, or Firm*—MacMillan, Sobanski & Todd, LLC

(57) **CLAIM**

The ornamental design for a coupling for pipes and hosing, as shown.

DESCRIPTION

FIG. 1 is a perspective view of a coupling for pipes and hosing embodying my design.

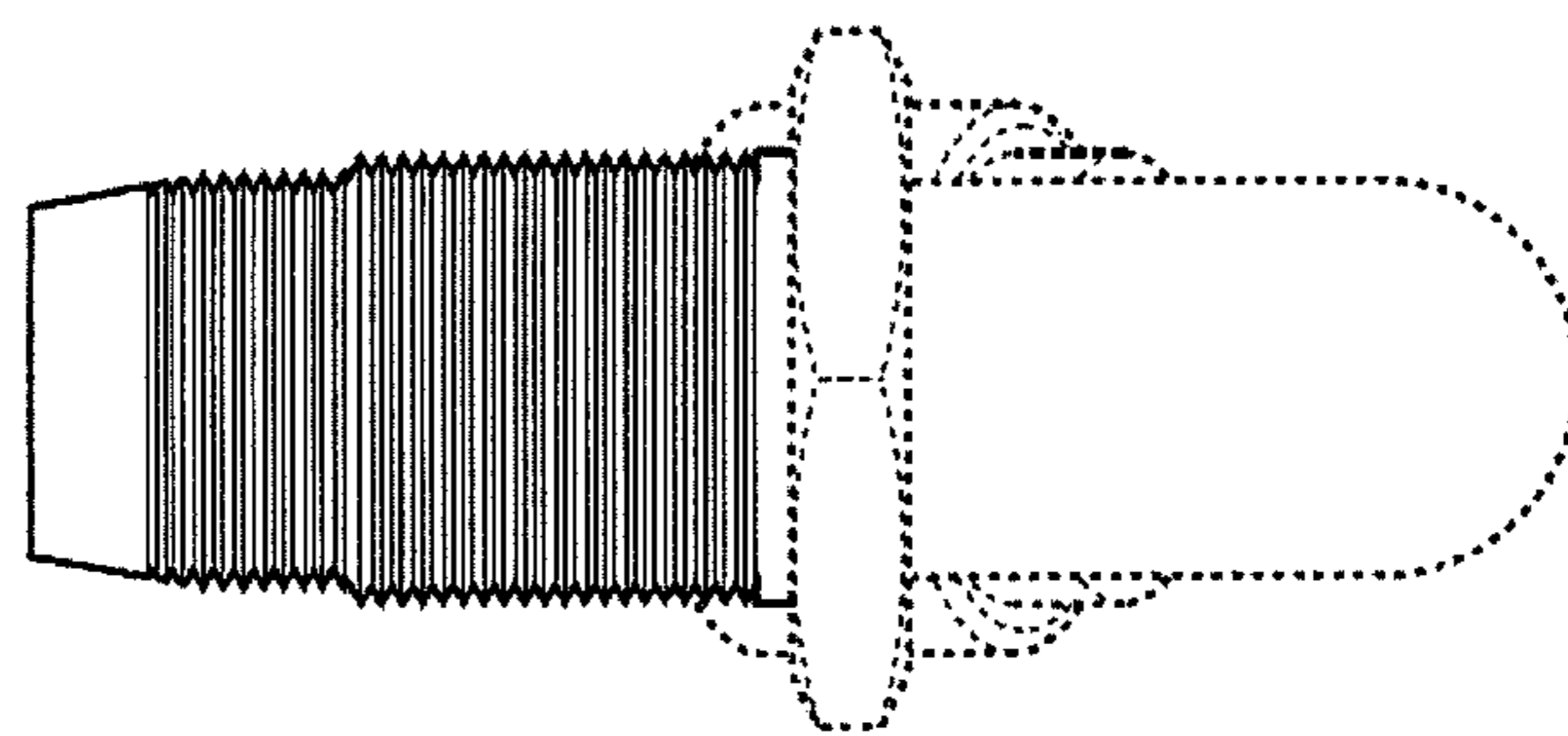
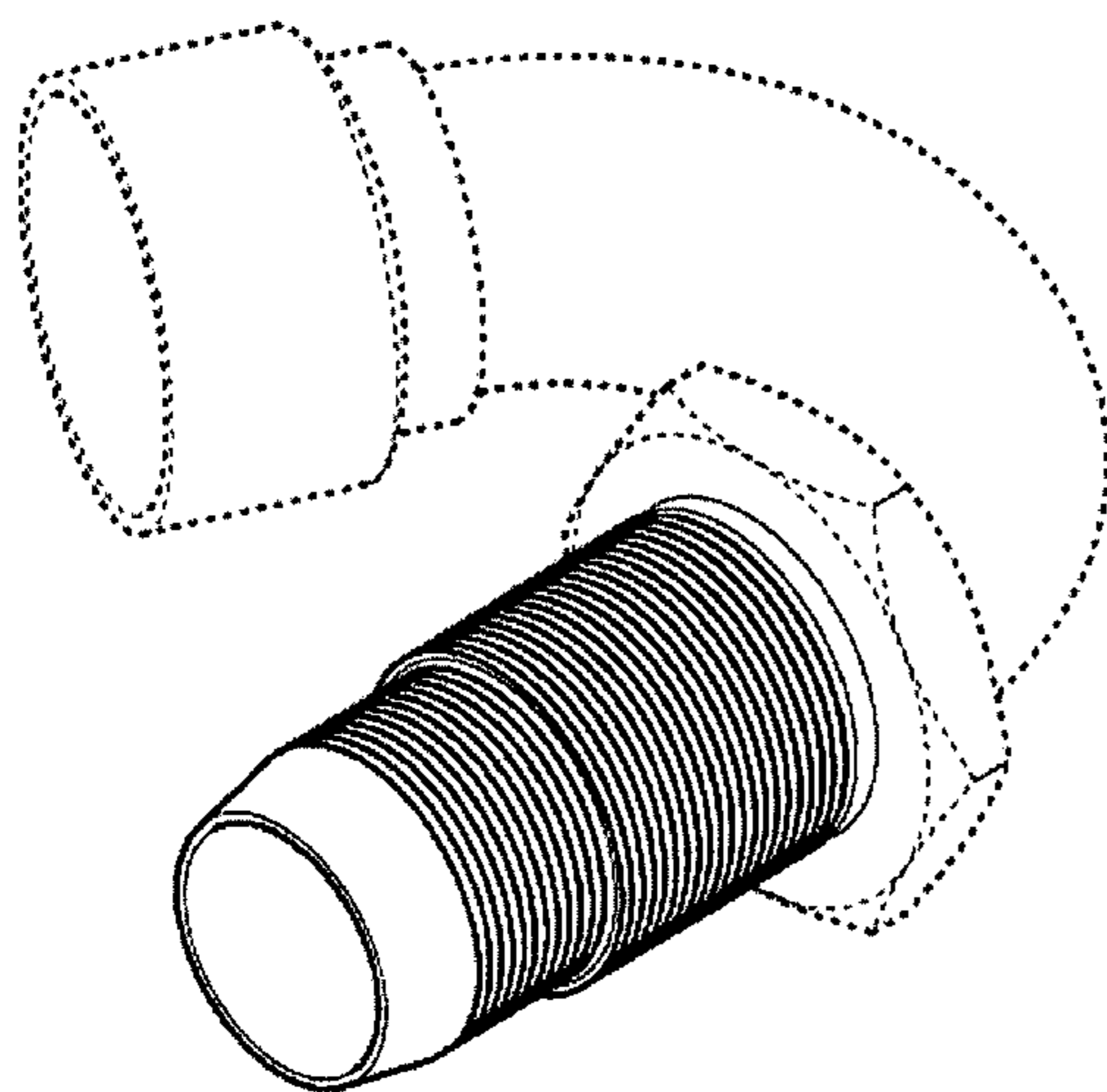
FIG. 2 is a side elevational view thereof.

FIG. 3 is a plan view thereof; and,

FIG. 4 is an end elevational view thereof.

The broken line showing is included for the purpose of illustrating environment and forms no part of the claimed design.

1 Claim, 2 Drawing Sheets



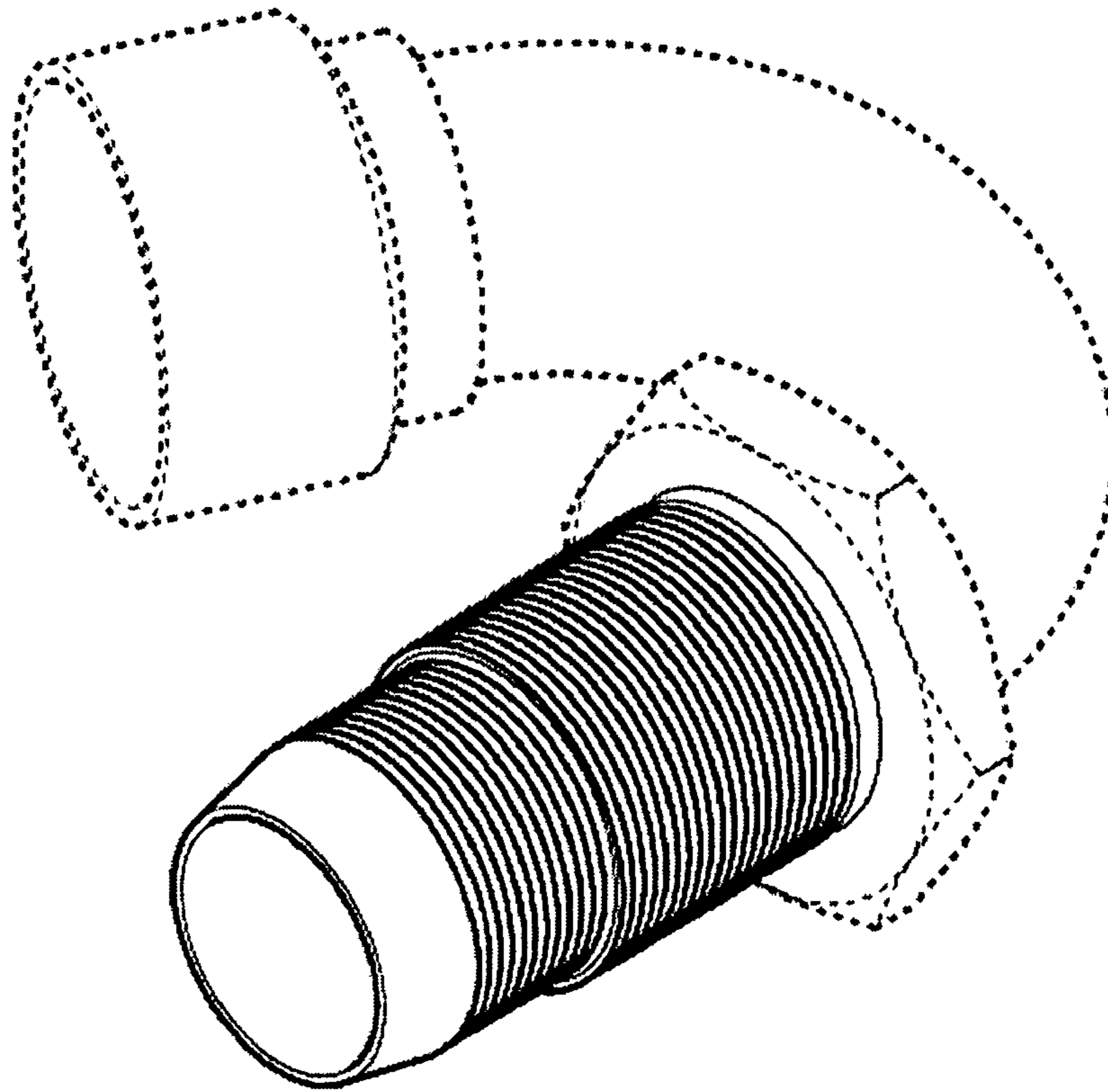


FIG. 1

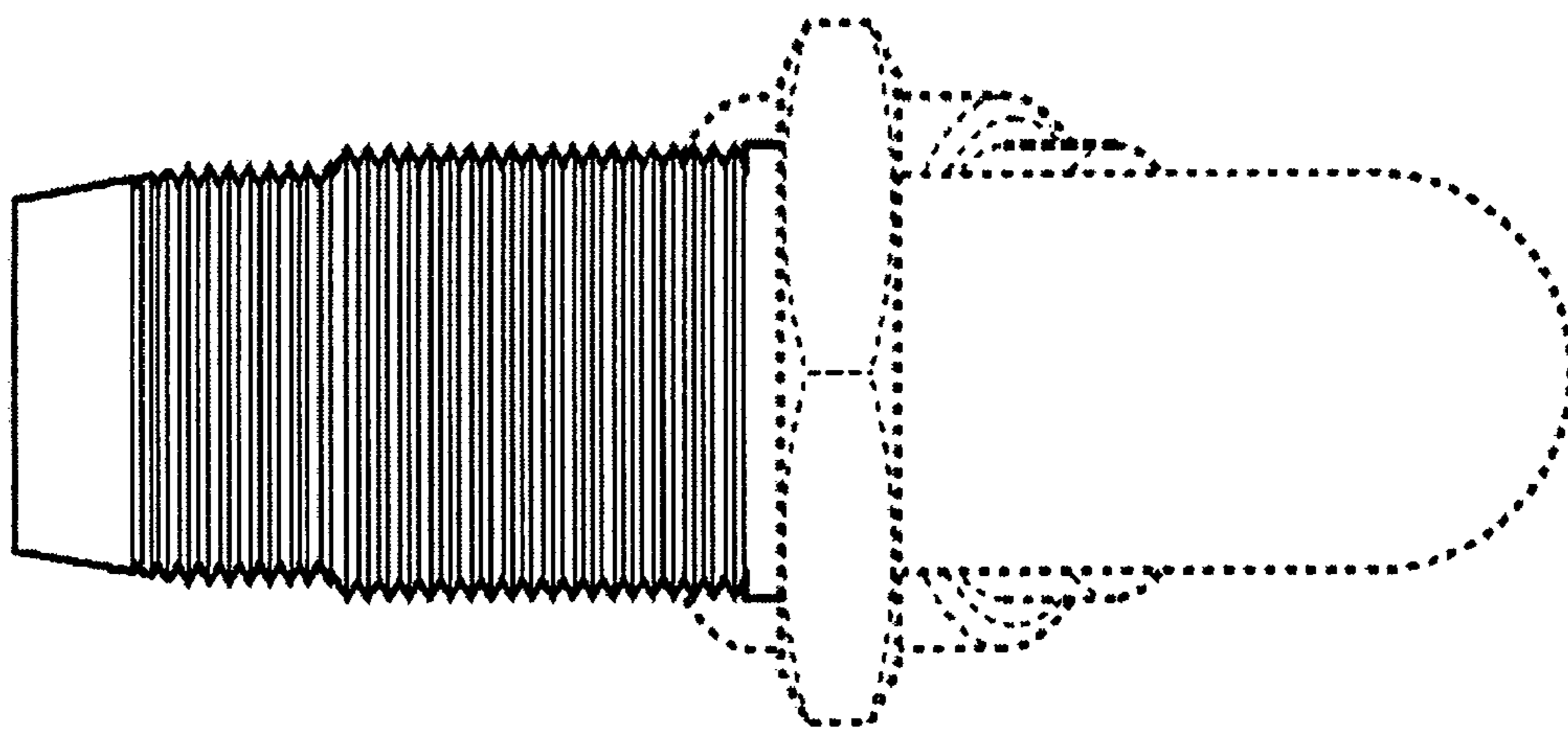


FIG. 2

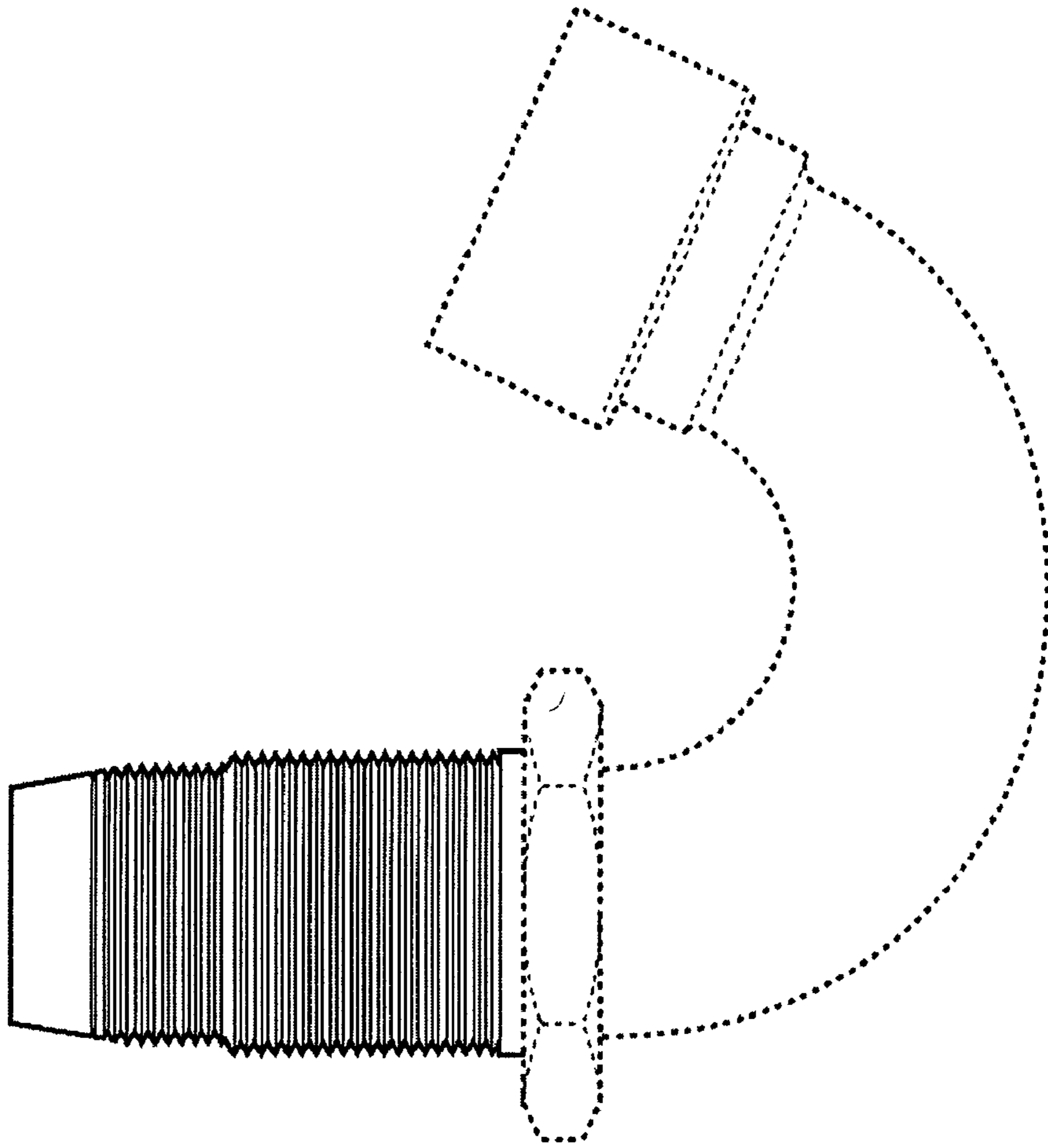


FIG. 3

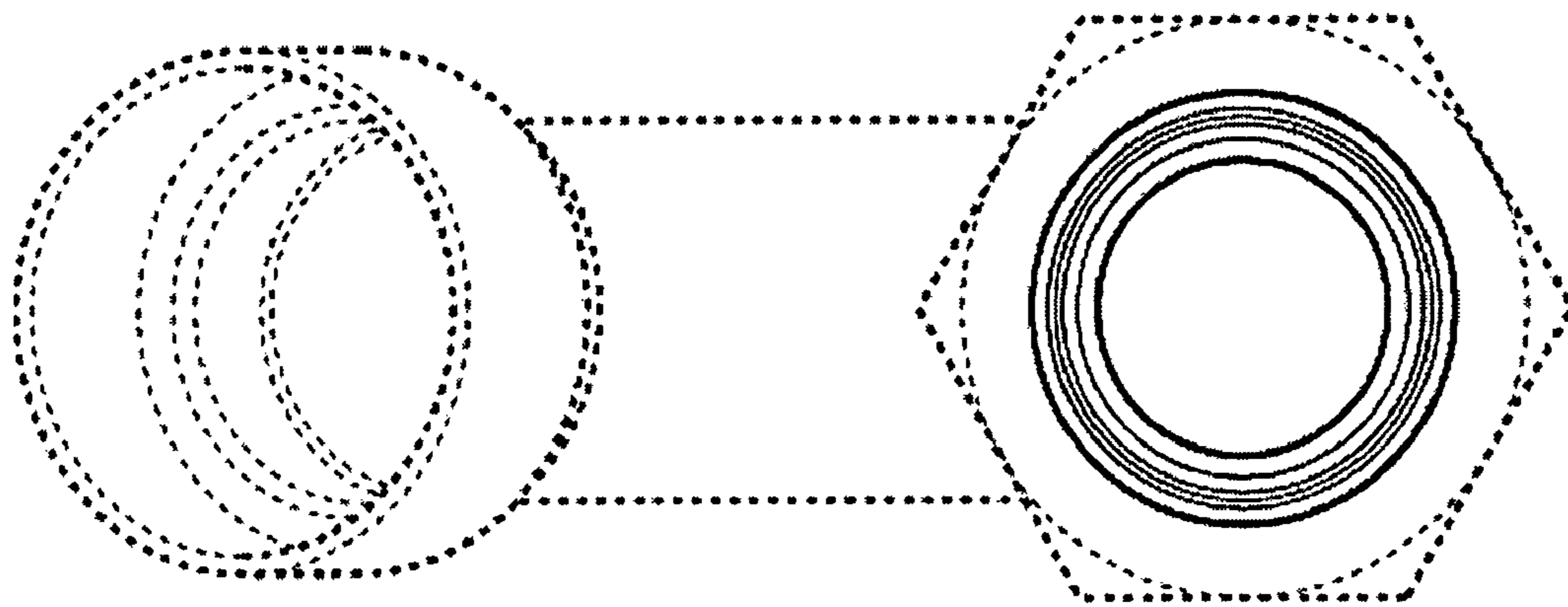


FIG. 4