



US00D584793S

(12) **United States Design Patent**  
**Sieger**

(10) **Patent No.:** **US D584,793 S**  
(45) **Date of Patent:** **\*\* Jan. 13, 2009**

(54) **SPA RAIN SHOWER HEAD**

(76) Inventor: **Michael Sieger**, Schloss Harkotten,  
Sassenbert (DE)

(\*\*) Term: **14 Years**

(21) Appl. No.: **29/318,156**

(22) Filed: **May 14, 2008**

**Related U.S. Application Data**

(62) Division of application No. 29/291,682, filed on Sep.  
10, 2007, now Pat. No. Des. 578,180.

(30) **Foreign Application Priority Data**

Mar. 29, 2007 (EM) ..... 000700018

(51) **LOC (9) Cl.** ..... **23-01**

(52) **U.S. Cl.** ..... **D23/213**

(58) **Field of Classification Search** ..... D23/213,  
D23/229-230; 239/282-283, 462  
See application file for complete search history.

(56) **References Cited**

**U.S. PATENT DOCUMENTS**

D465,824 S \* 11/2002 Barry ..... D23/213

D495,777 S \* 9/2004 Aubry et al. .... D23/213

D495,778 S \* 9/2004 Jorgensen et al. .... D23/213

D536,060 S \* 1/2007 Sadler ..... D23/213

D552,713 S \* 10/2007 Rexach ..... D23/213

\* cited by examiner

*Primary Examiner*—Robin V Webster

(74) *Attorney, Agent, or Firm*—Andrew Wilford

(57) **CLAIM**

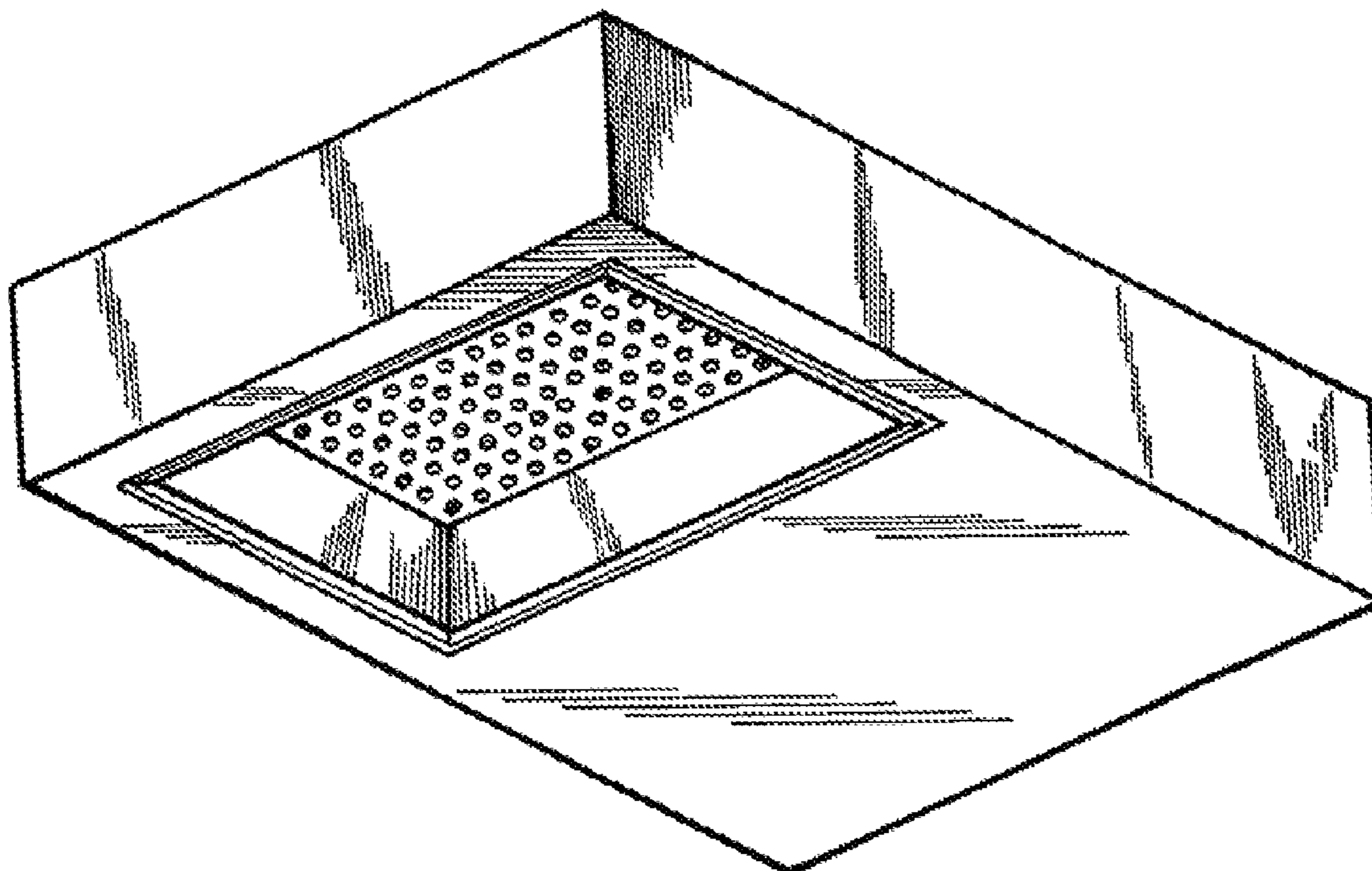
The ornamental design for a spa rain shower head, as shown  
and described.

**DESCRIPTION**

FIGS. 1 and 2 are perspective views from below and above,  
respectively, of a spa rain shower head according to the inven-  
tion; and,

FIGS. 3, 4, 5, and 6 are bottom, top, side, and end views of the  
shower head, both ends and both sides being substantially  
identical.

**1 Claim, 2 Drawing Sheets**



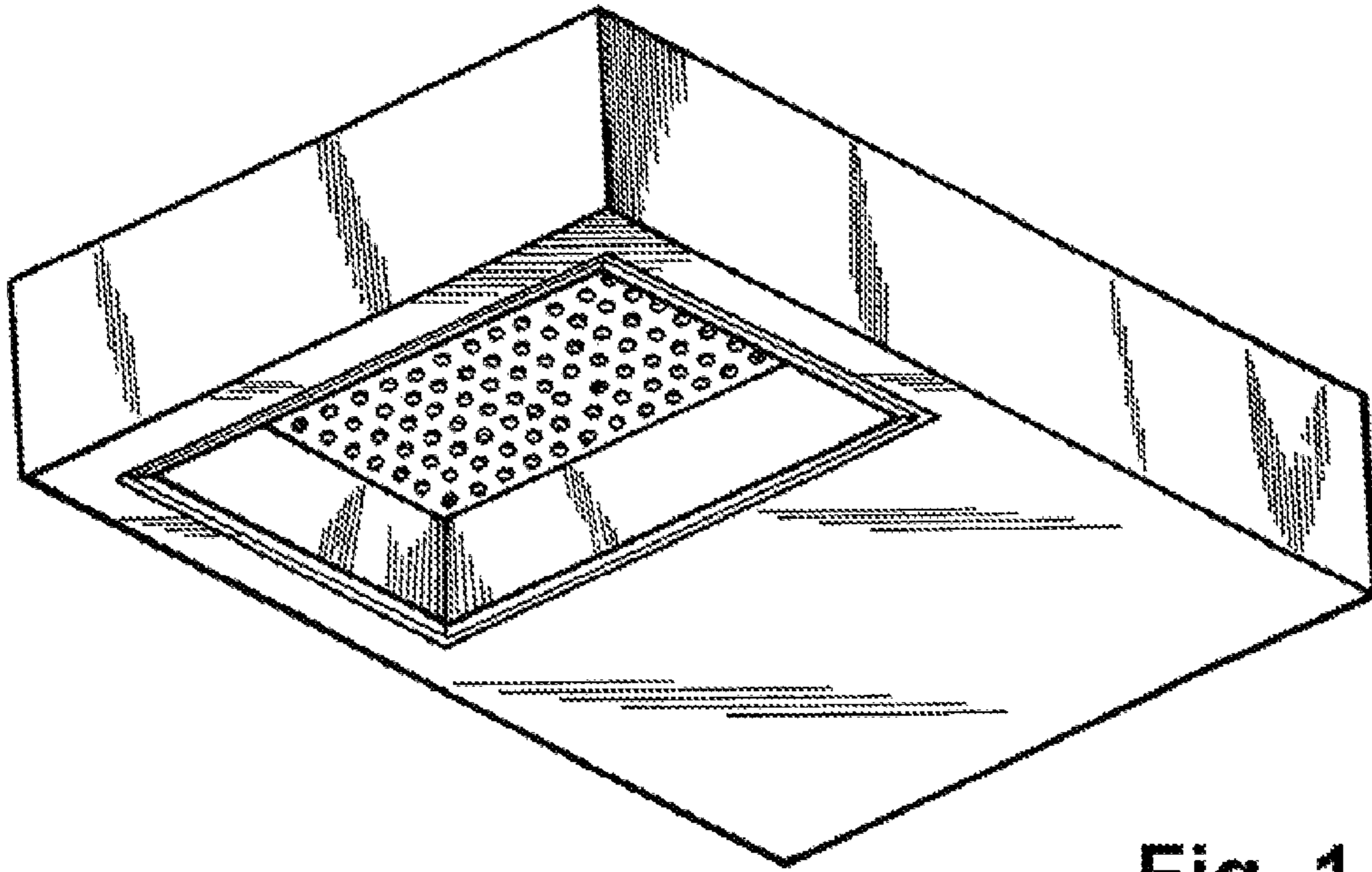


Fig. 1

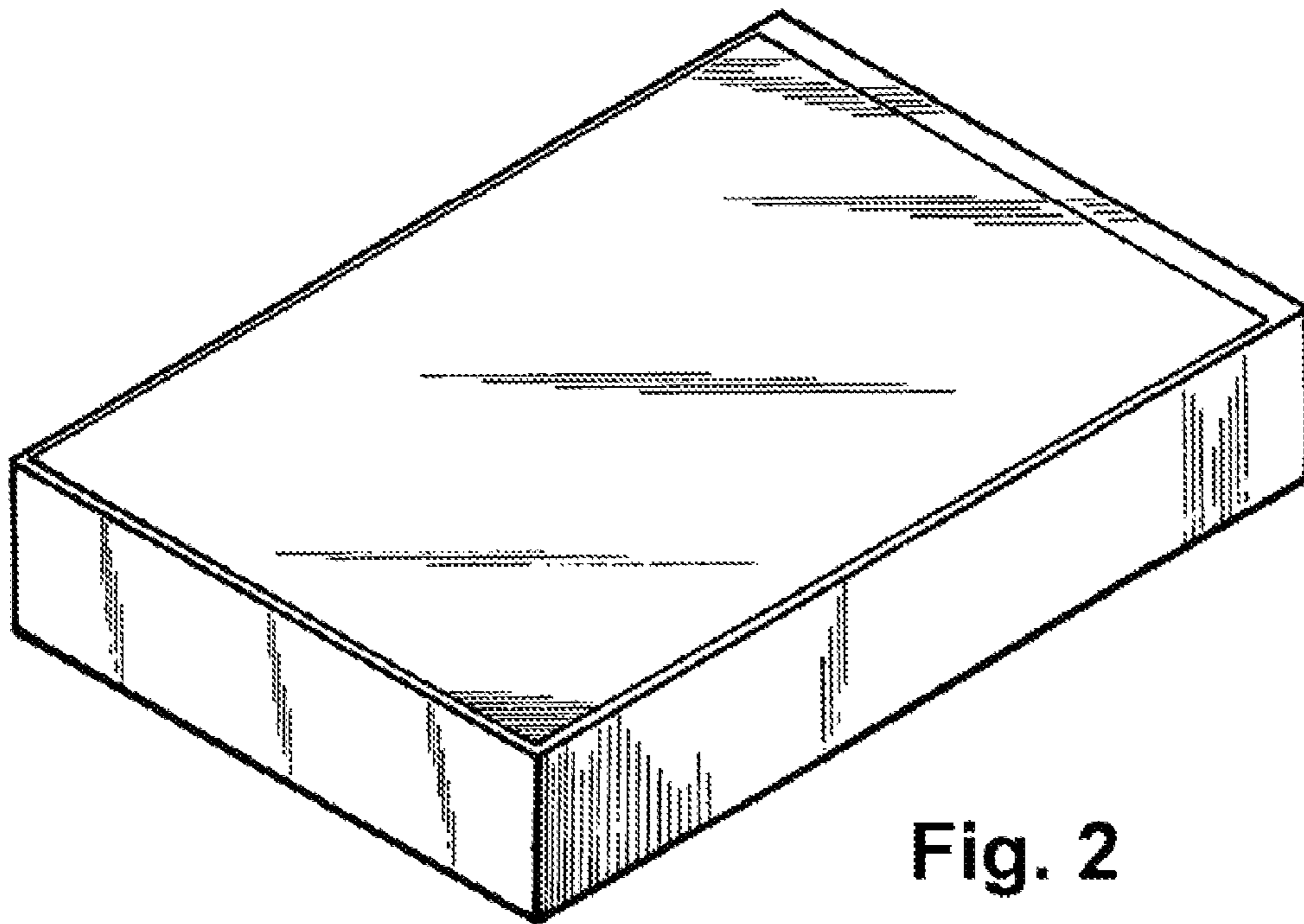


Fig. 2

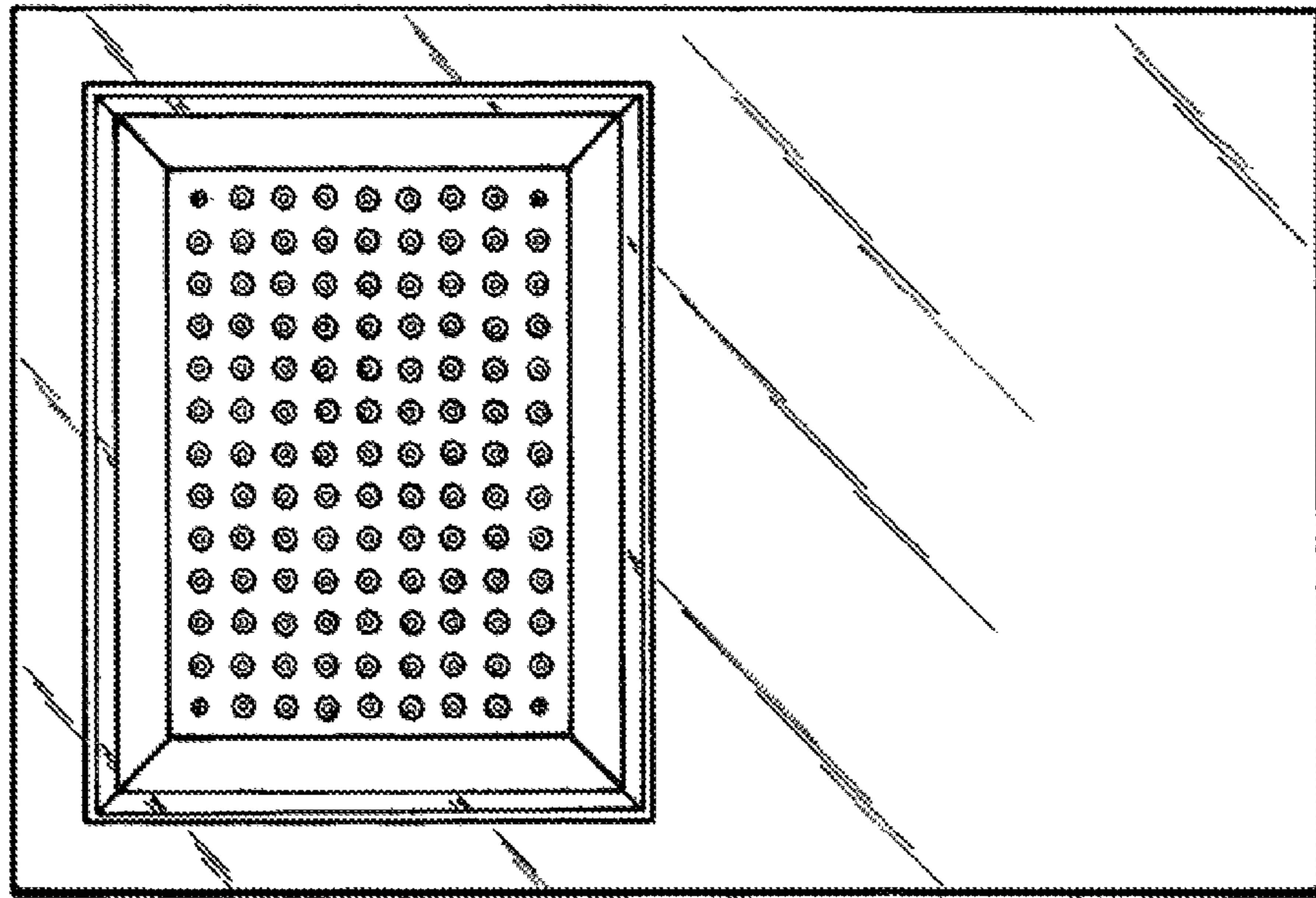


Fig. 3

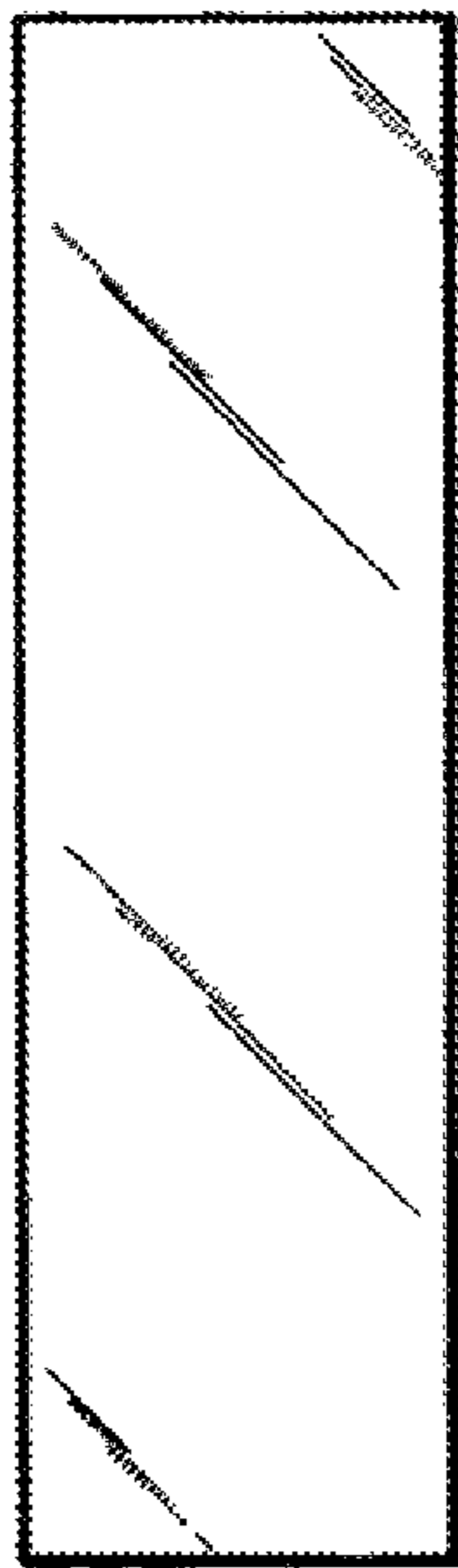


Fig. 6

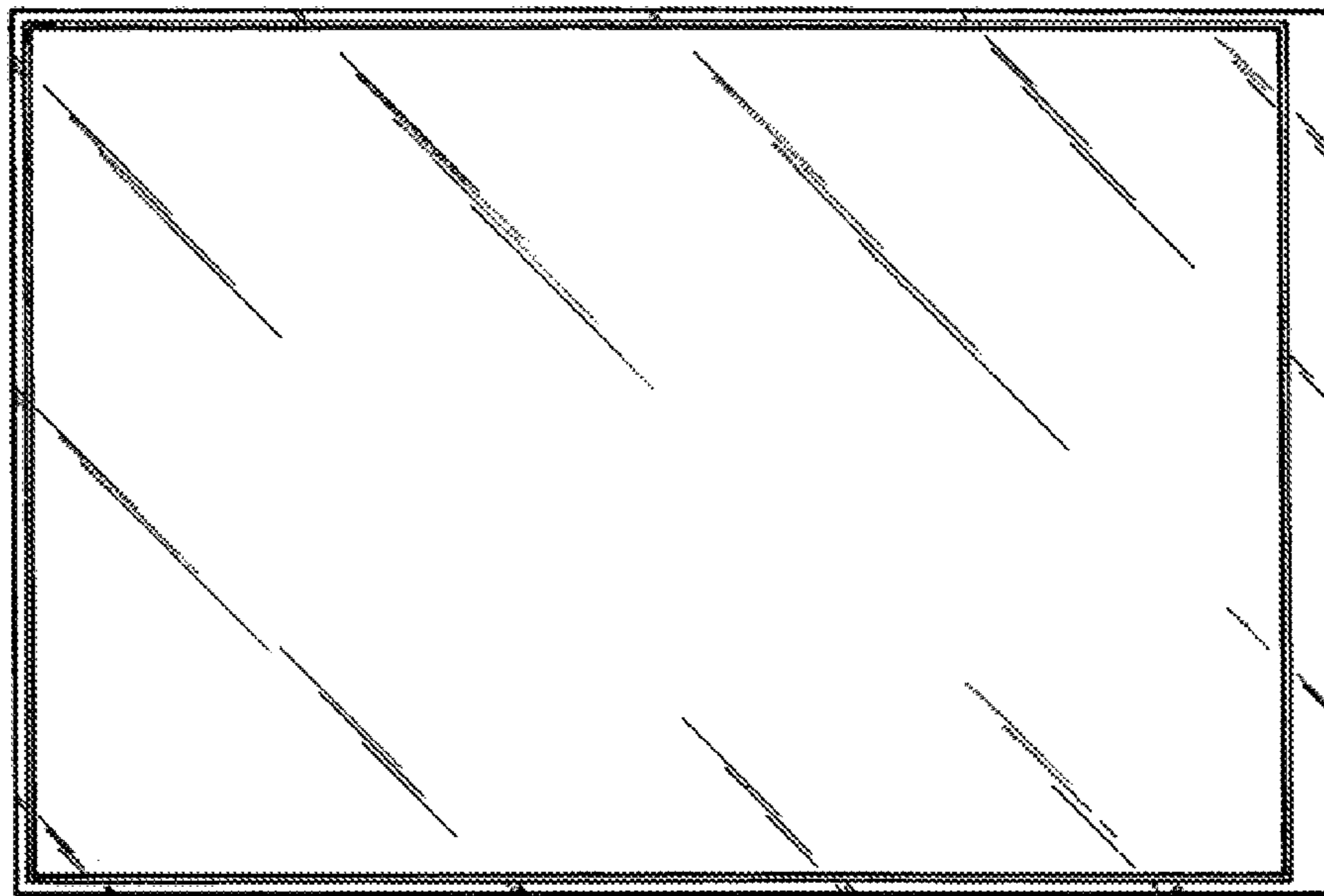


Fig. 4

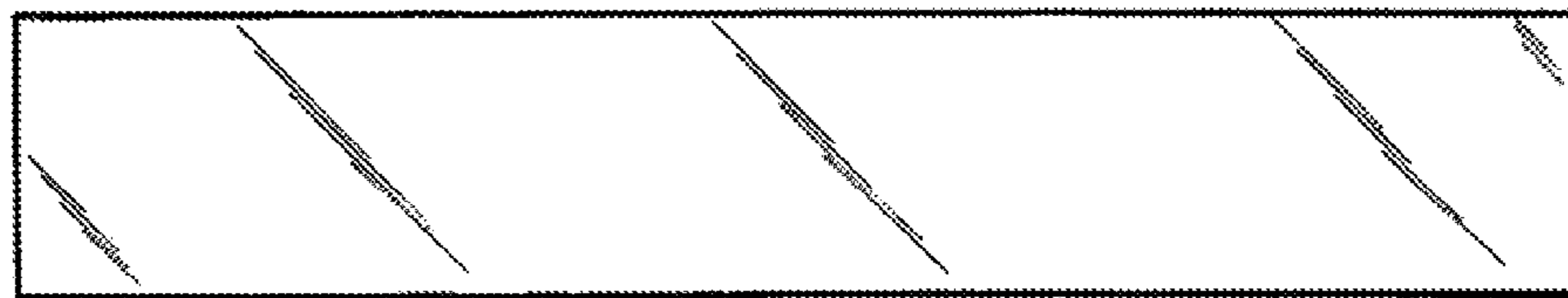


Fig. 5