



US00D584792S

(12) **United States Design Patent**
Childers

(10) **Patent No.:** **US D584,792 S**
(45) **Date of Patent:** **** Jan. 13, 2009**

(54) **FISHING ROD WITH SUPPORT BRACE**

6,295,755 B1 10/2001 Macaluso
D464,106 S 10/2002 Macaluso
6,748,691 B2 6/2004 Doucette
D564,062 S * 3/2008 Carnevali D22/147

(76) Inventor: **Michael W. Childers**, 5922 Hidden
Mist, San Antonio, TX (US) 78250

(**) Term: **14 Years**

* cited by examiner

(21) Appl. No.: **29/301,835**

Primary Examiner—Catherine R Oliver
(74) *Attorney, Agent, or Firm*—Robert C. Montgomery;
Eugene A. Vittone, II

(22) Filed: **Mar. 19, 2008**

(51) **LOC (9) Cl.** **22-05**

(52) **U.S. Cl.** **D22/147**

(58) **Field of Classification Search** D22/147–148;
43/21.2, 54.1; 248/530, 533, 538, 156
See application file for complete search history.

(57) **CLAIM**

The ornamental design for a fishing rod with support brace, as shown and described.

DESCRIPTION

FIG. 1 is a perspective view of a fishing rod with support brace, as shown and described;

FIG. 2 is a front view thereof;

FIG. 3 is a side view thereof;

FIG. 4 is a top view thereof; and,

FIG. 5 is a bottom view thereof.

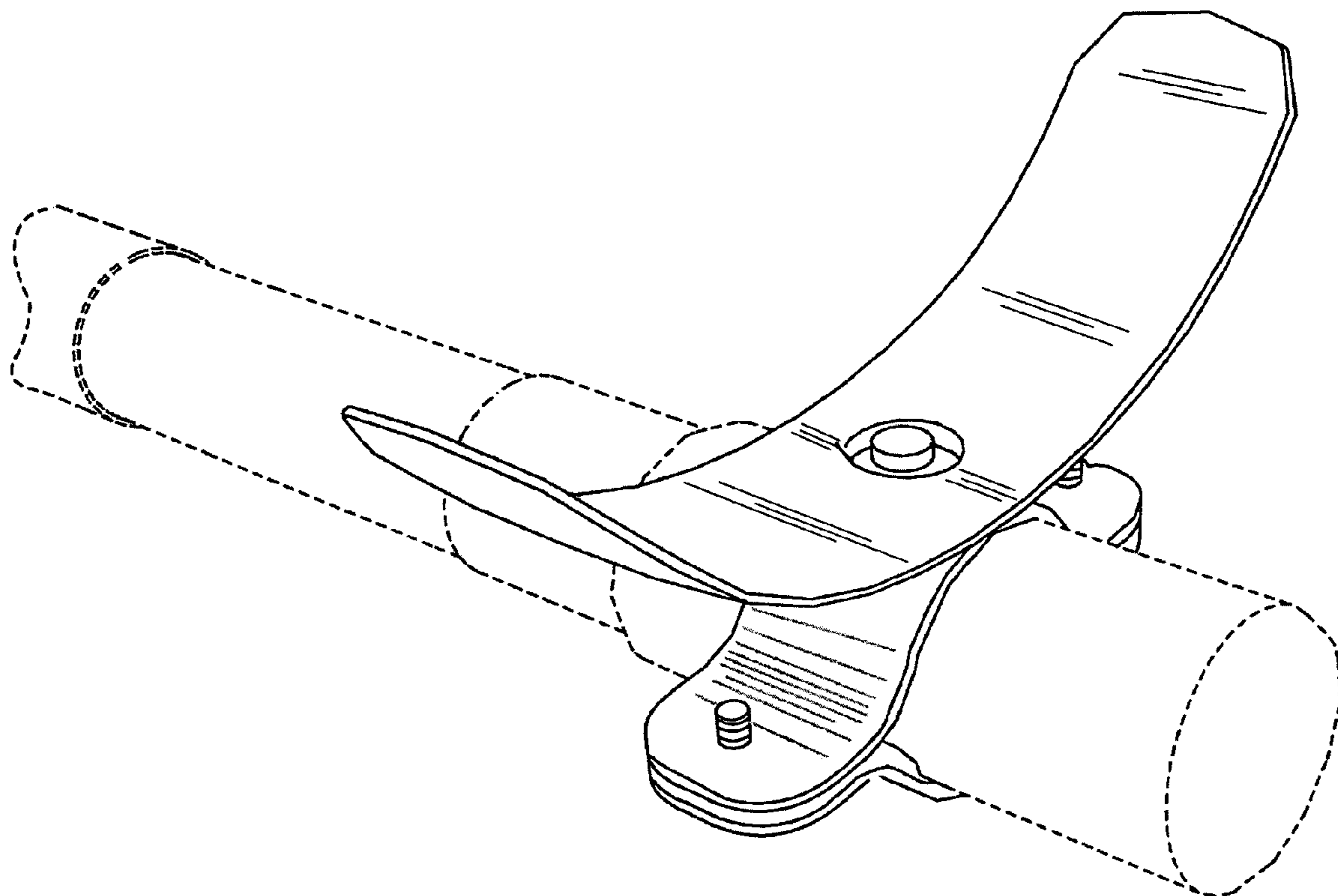
The broken line showing of environment in FIG. 1 is included for the purpose of illustrating only and forms no part of the claimed design.

(56) **References Cited**

U.S. PATENT DOCUMENTS

2,244,408 A	6/1941	Thompson	
D136,856 S *	12/1943	Olowecki D22/147
3,367,056 A	2/1968	Johnson	
4,190,977 A	3/1980	Casper	
5,159,775 A	11/1992	Sutula, Jr.	
5,212,900 A	5/1993	Perry	
5,313,735 A	5/1994	Latouche	
D353,262 S	12/1994	Cantavespre et al.	
D408,885 S *	4/1999	O'Neill D22/147
5,910,004 A	6/1999	Antosh	

1 Claim, 5 Drawing Sheets



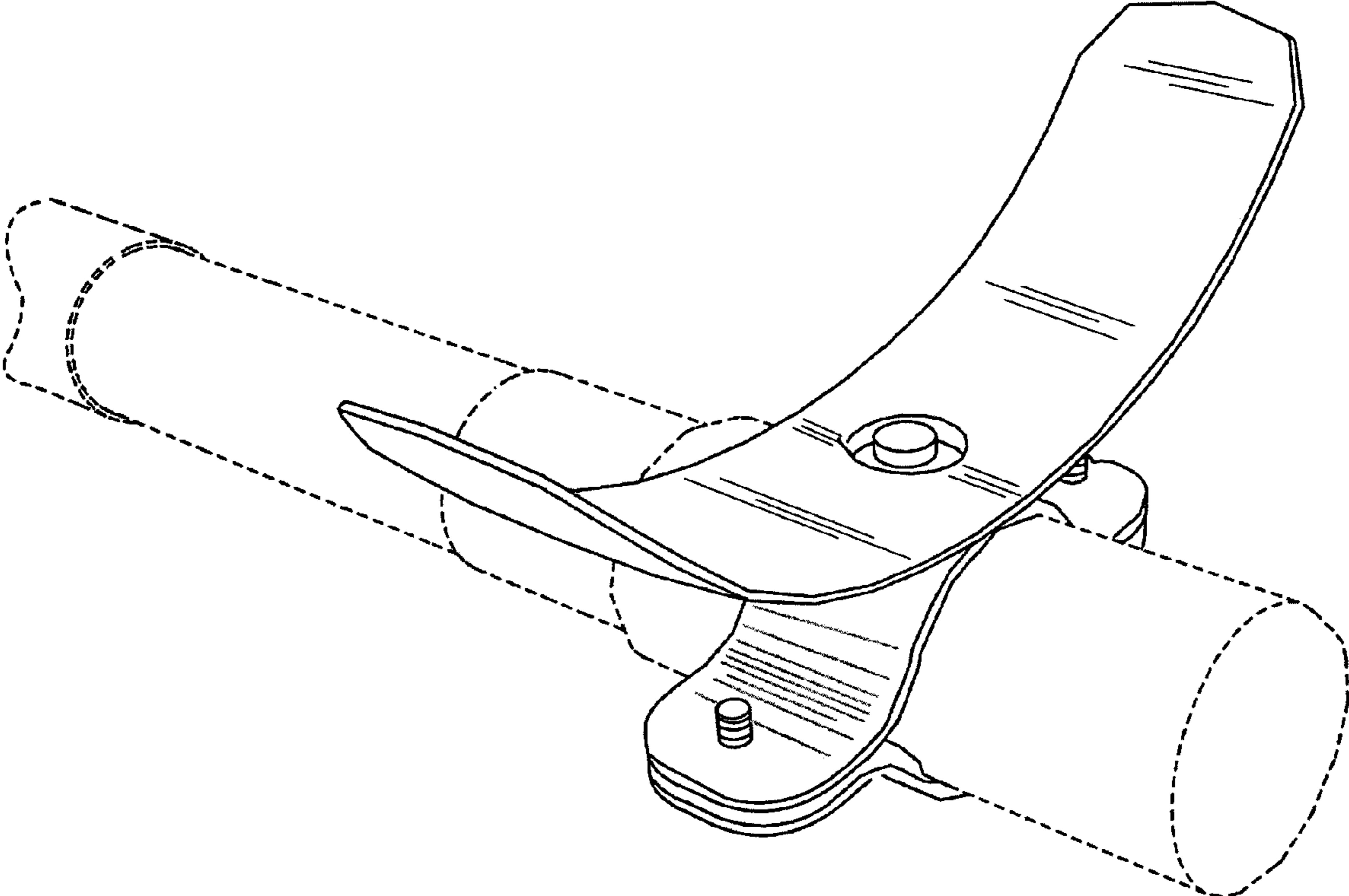


Fig 1

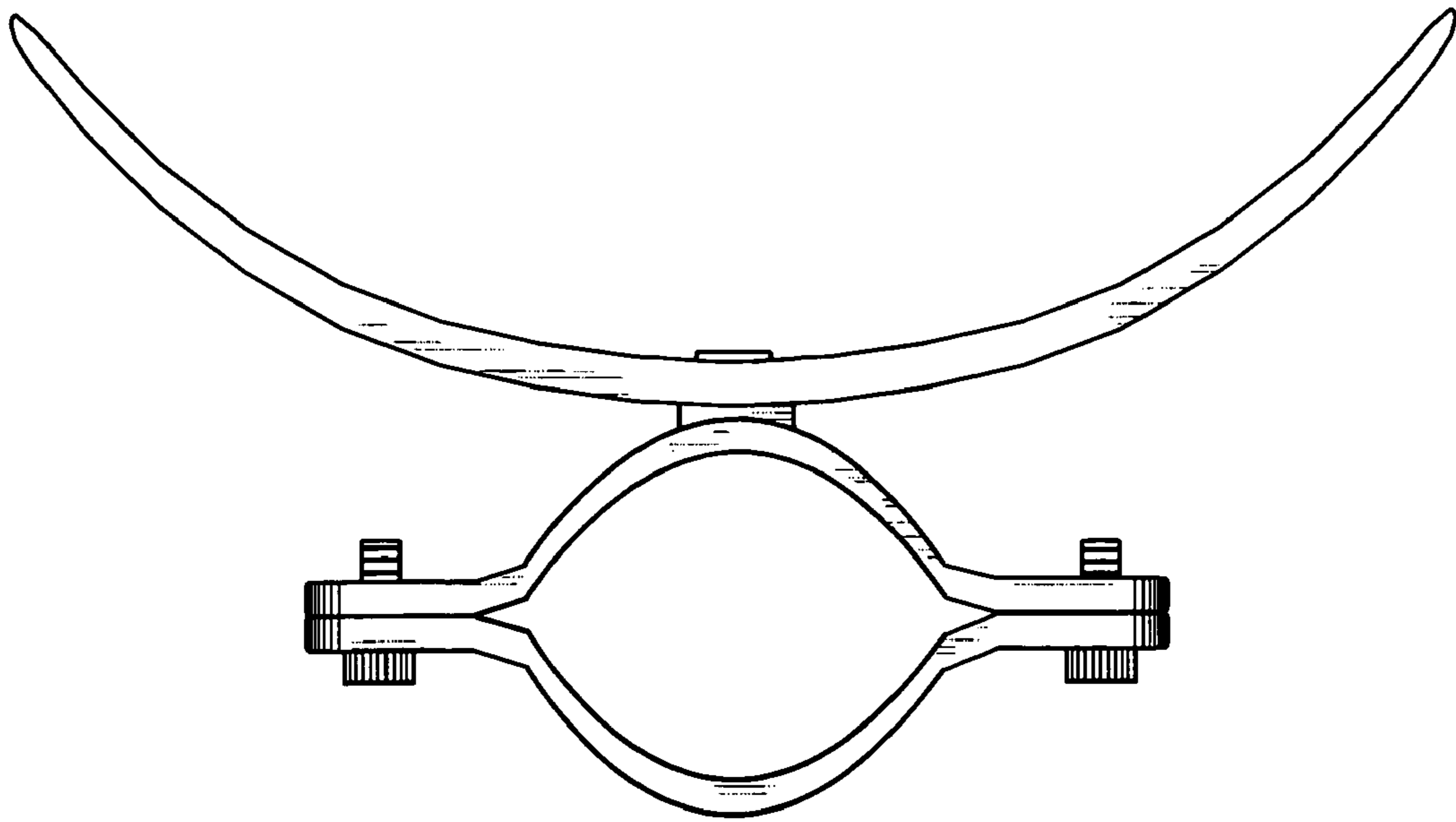


Fig. 2

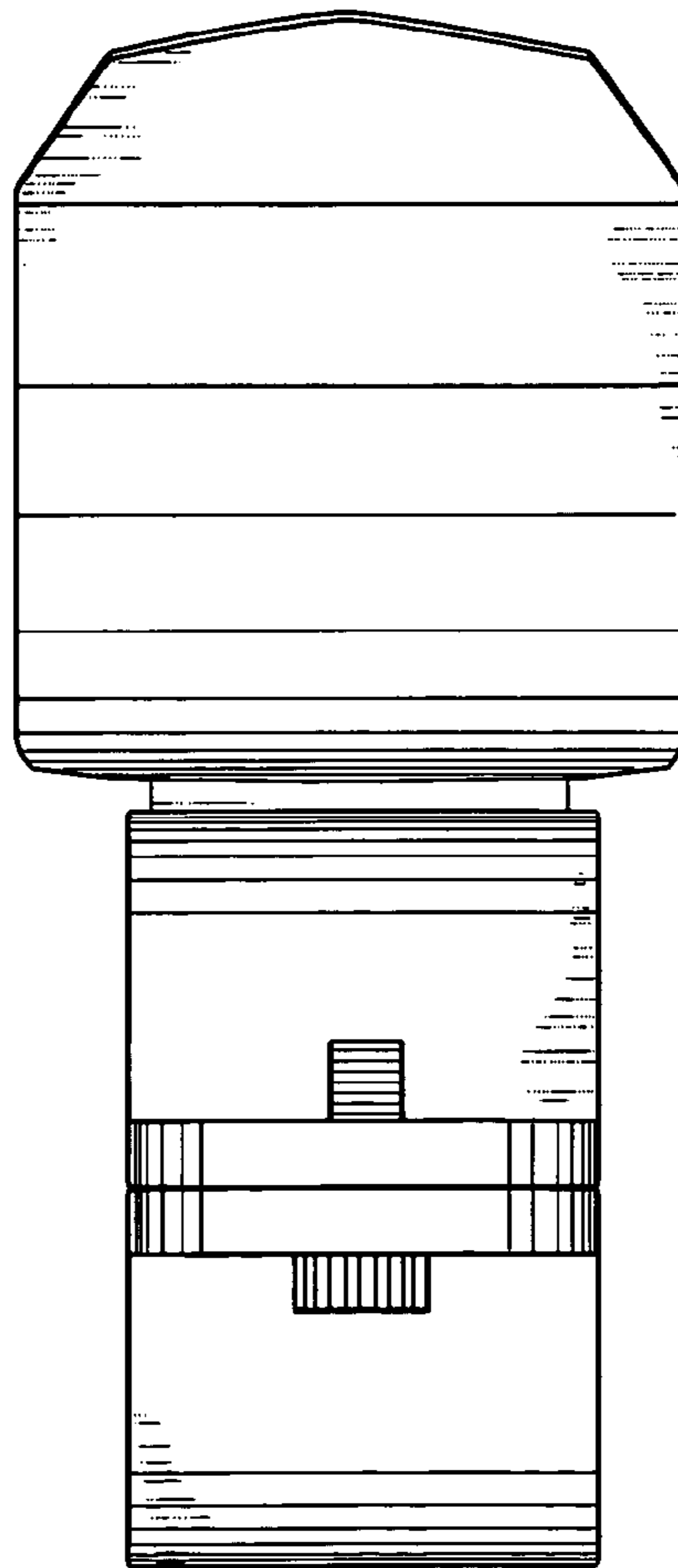


Fig. 3

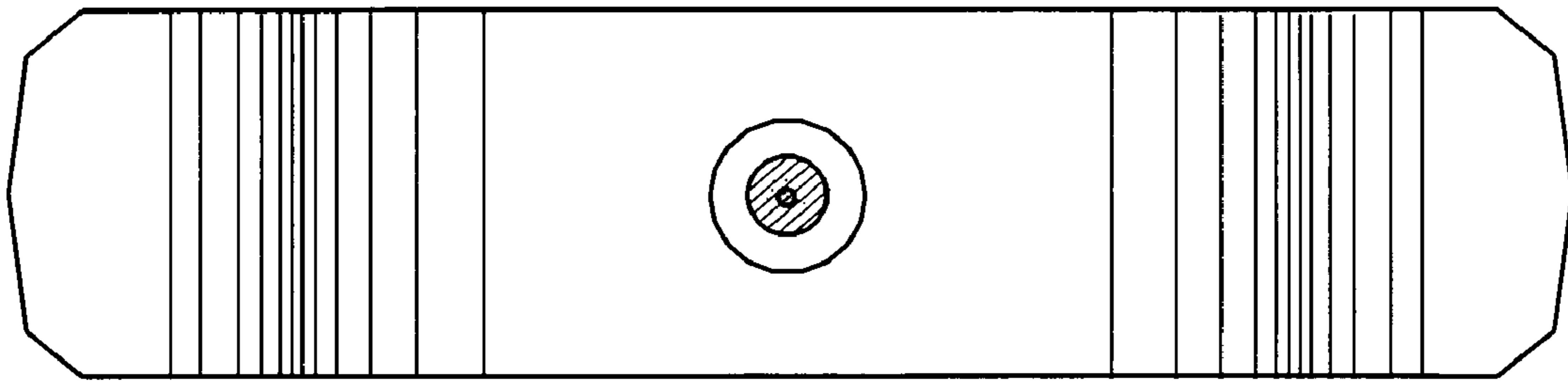


Fig. 4

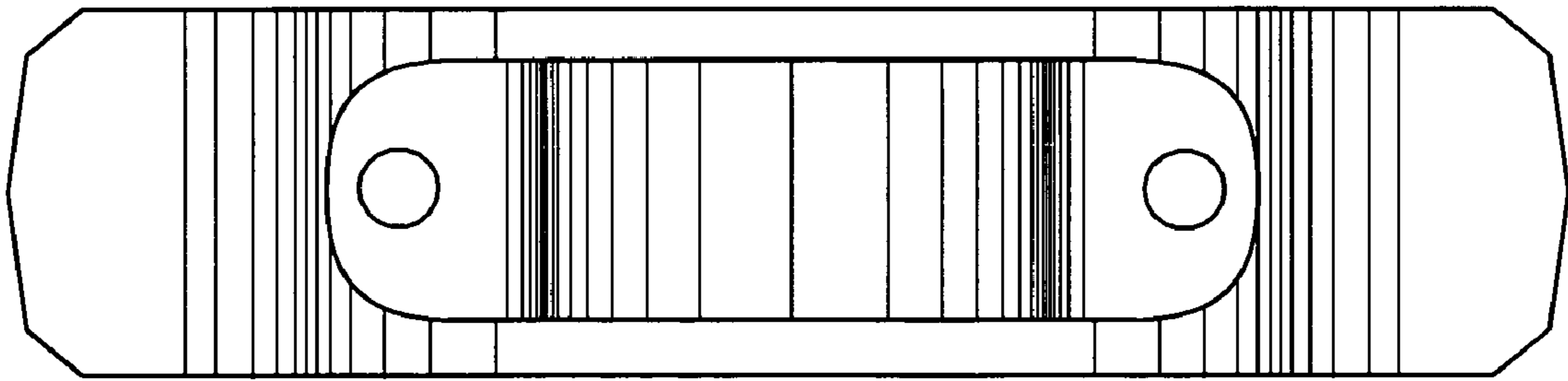


Fig. 5