



US00D584790S

(12) **United States Design Patent**
Chang

(10) **Patent No.:** **US D584,790 S**

(45) **Date of Patent:** **** Jan. 13, 2009**

(54) **HOUSING OF REEL FOR FISHING POLE**

Primary Examiner—Catherine R Oliver

(74) *Attorney, Agent, or Firm*—Banger Shia

(76) **Inventor:** **Liang-Jen Chang**, 128 Industry,
TangXia Town, Dongguan, GuangDong
(CN)

(57) **CLAIM**

(**) **Term:** **14 Years**

The ornamental design for housing of reel for fishing pole, as shown and described.

(21) **Appl. No.:** **29/302,024**

(22) **Filed:** **Jan. 9, 2008**

DESCRIPTION

(51) **LOC (9) Cl.** **22-05**

(52) **U.S. Cl.** **D22/137**

(58) **Field of Classification Search** D22/137-142;
242/381, 322, 118.3, 118.4, 118.6, 118.7,
242/311, 295; 43/20, 21, 26; 206/315.11

See application file for complete search history.

FIG. 1 is a front elevation view thereof;

FIG. 2 is a rear elevation view thereof;

FIG. 3 is a left side elevation view thereof;

FIG. 4 is a right side elevation view thereof;

FIG. 5 is a top plan view thereof;

FIG. 6 is a bottom plan view thereof; and,

FIG. 7 is a perspective view of housing of reel for fishing pole showing my present design.

(56) **References Cited**

U.S. PATENT DOCUMENTS

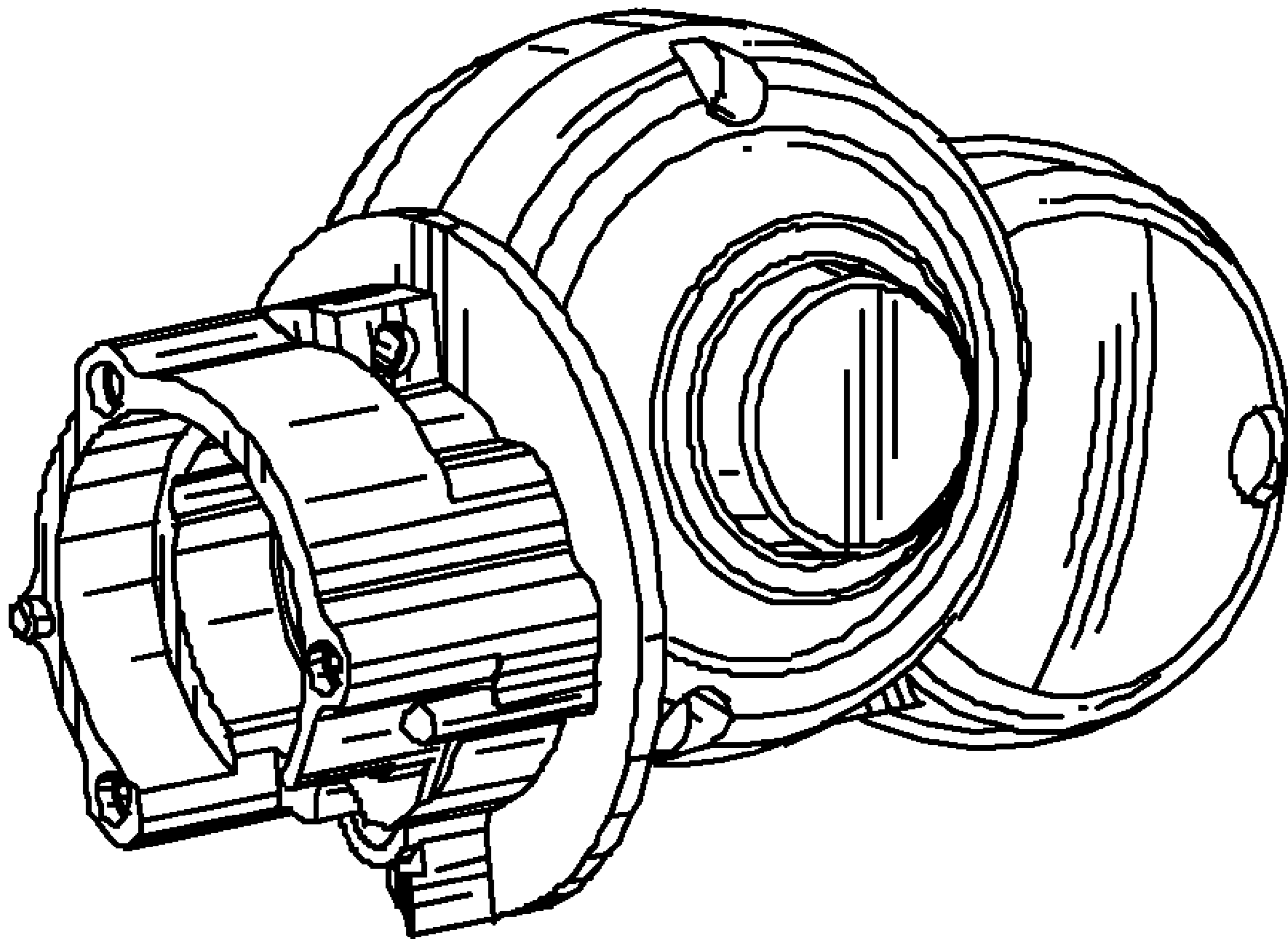
2,532,119 A * 11/1950 Reynolds 206/315.11

3,762,592 A * 10/1973 Mayes 206/315.11

D575,842 S * 8/2008 Jianwei D22/137

* cited by examiner

1 Claim, 4 Drawing Sheets



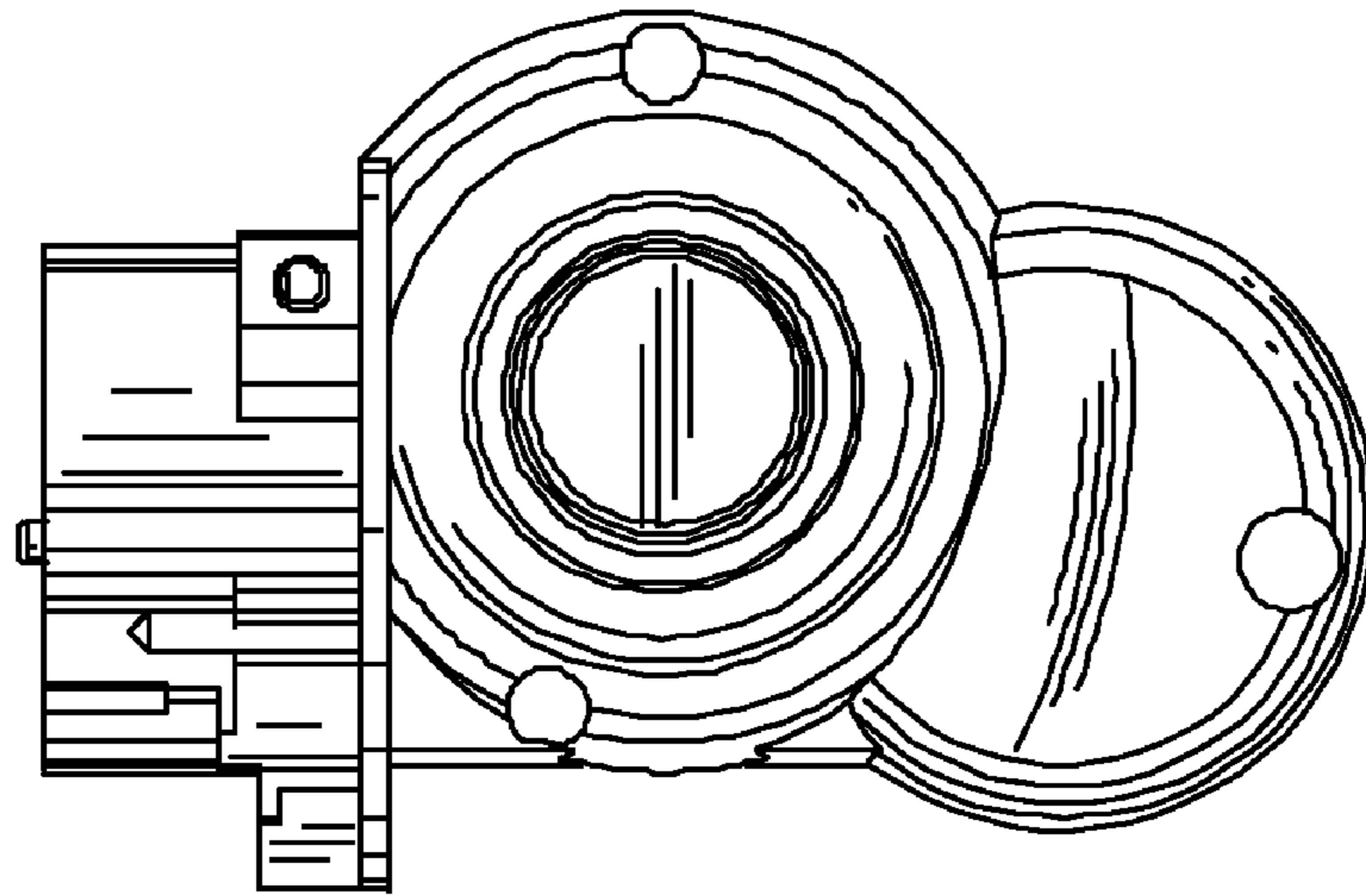


FIG. 1

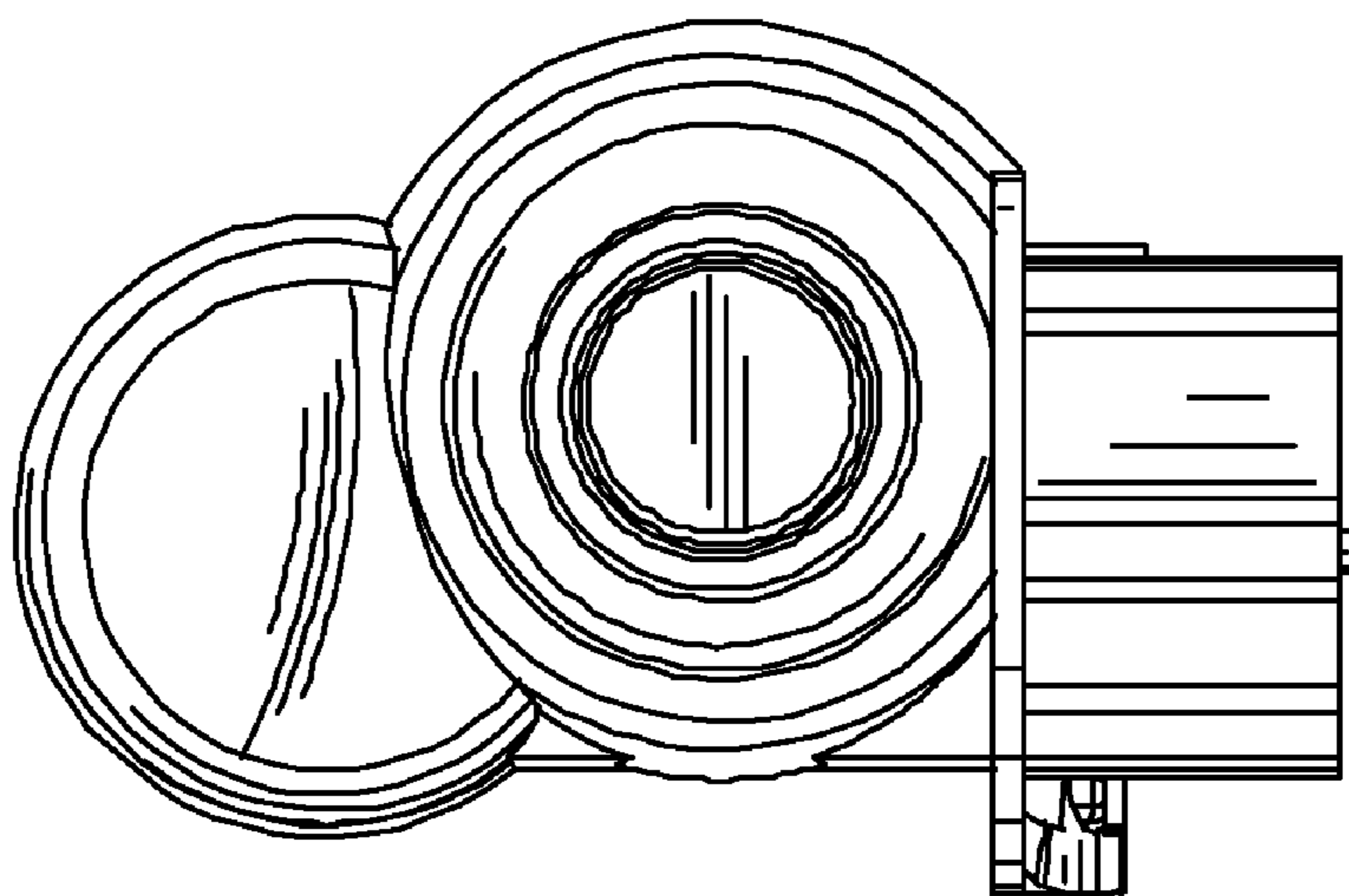


FIG. 2

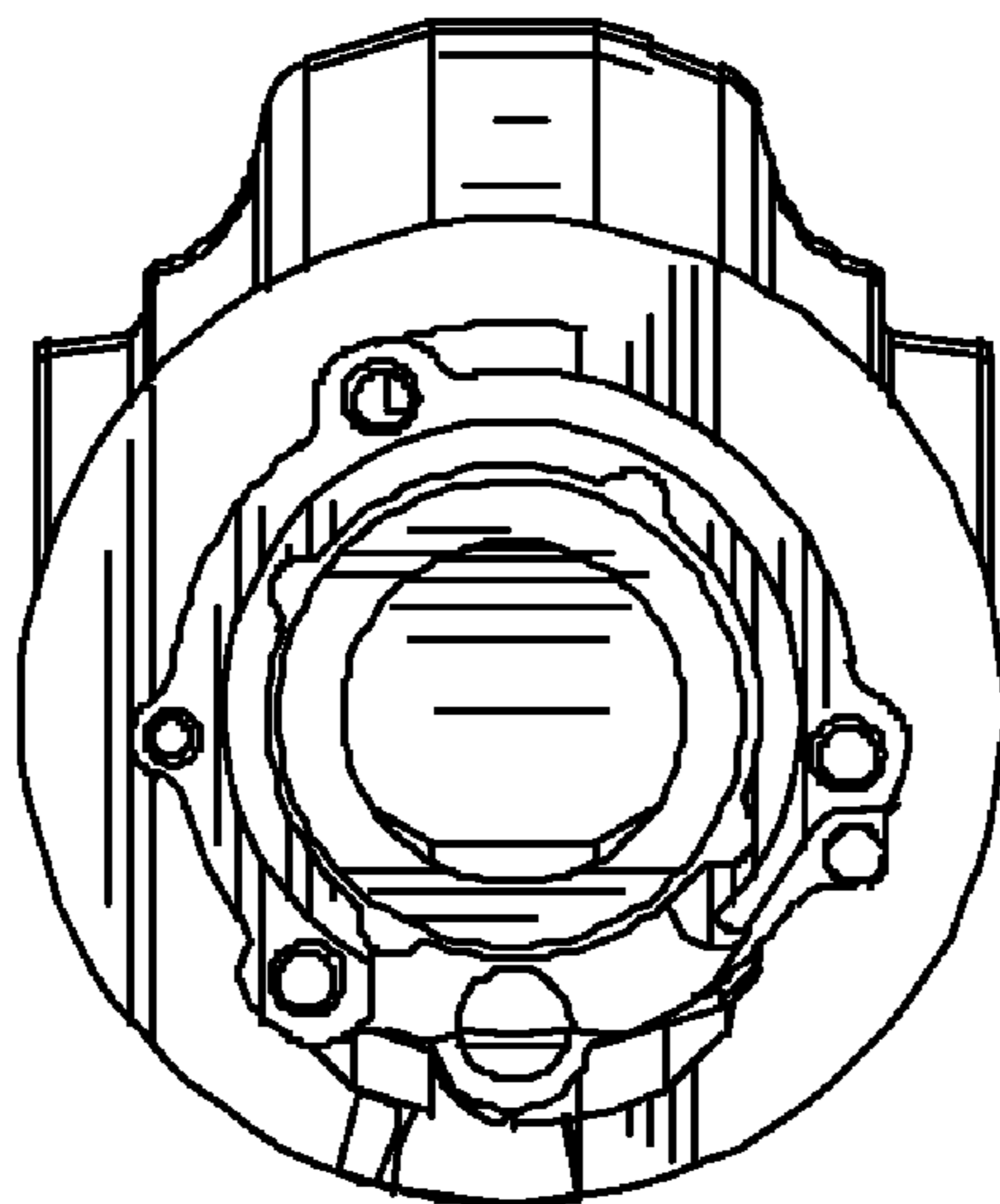


FIG. 3

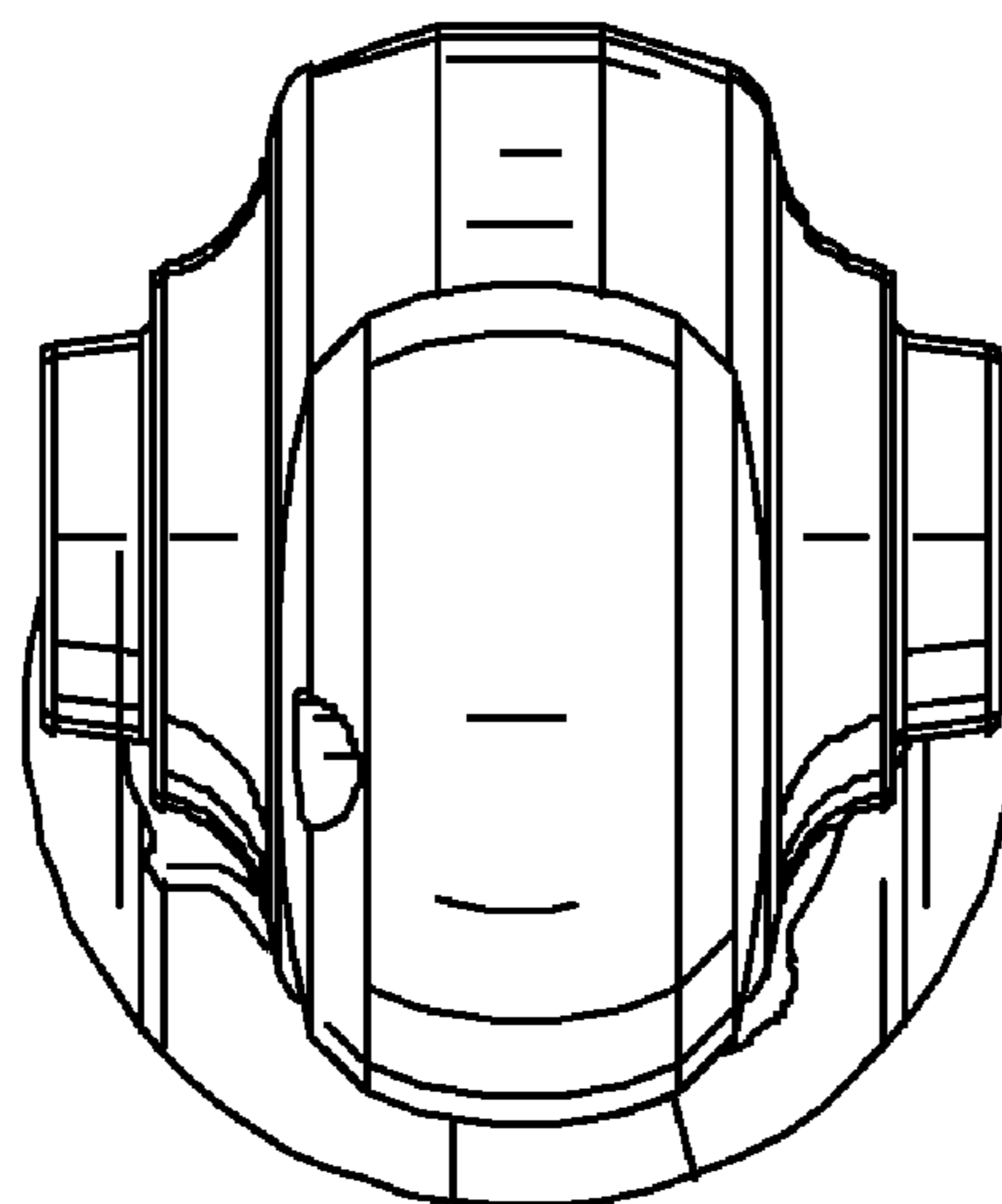


FIG. 4

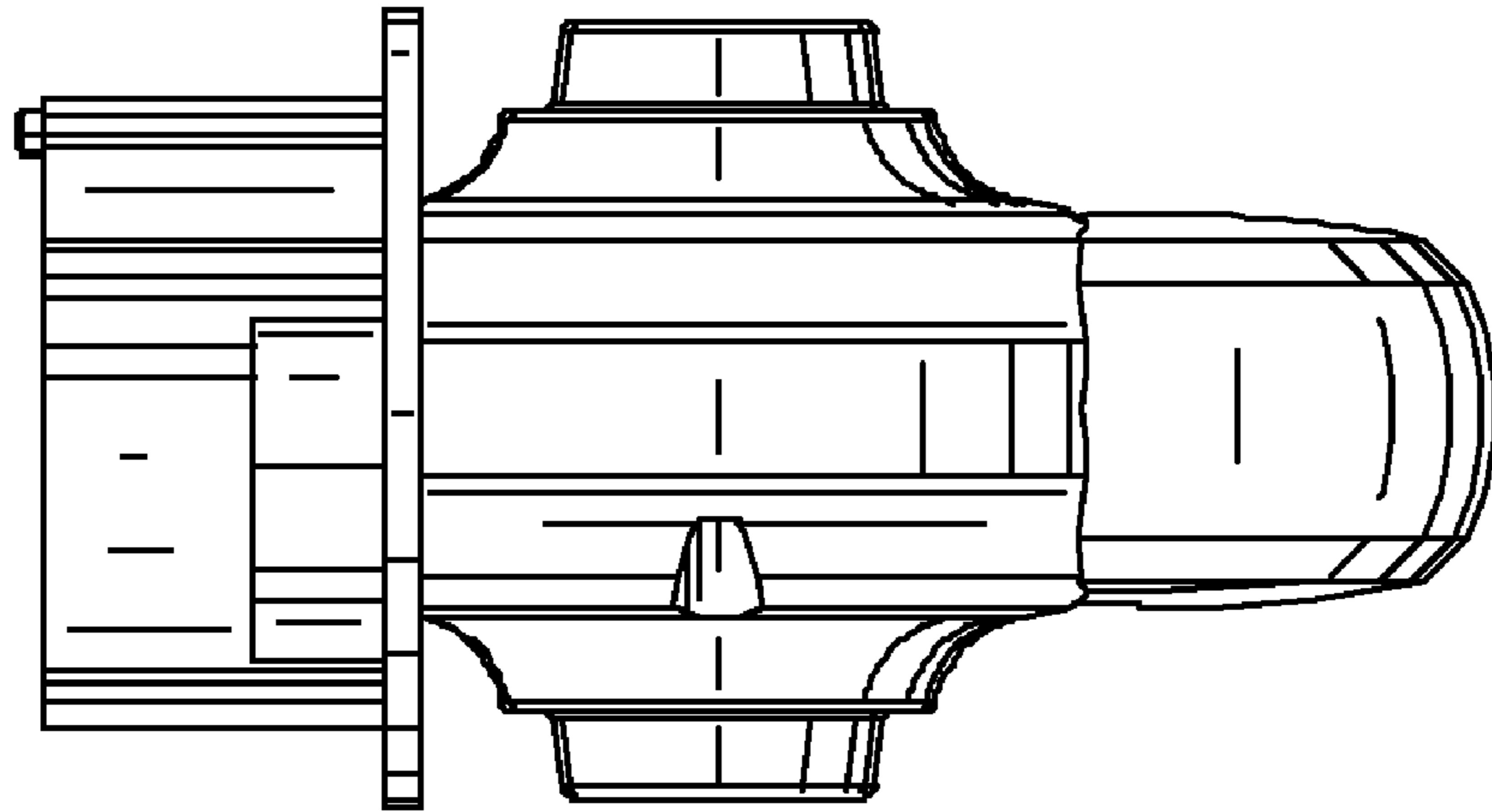


FIG. 5

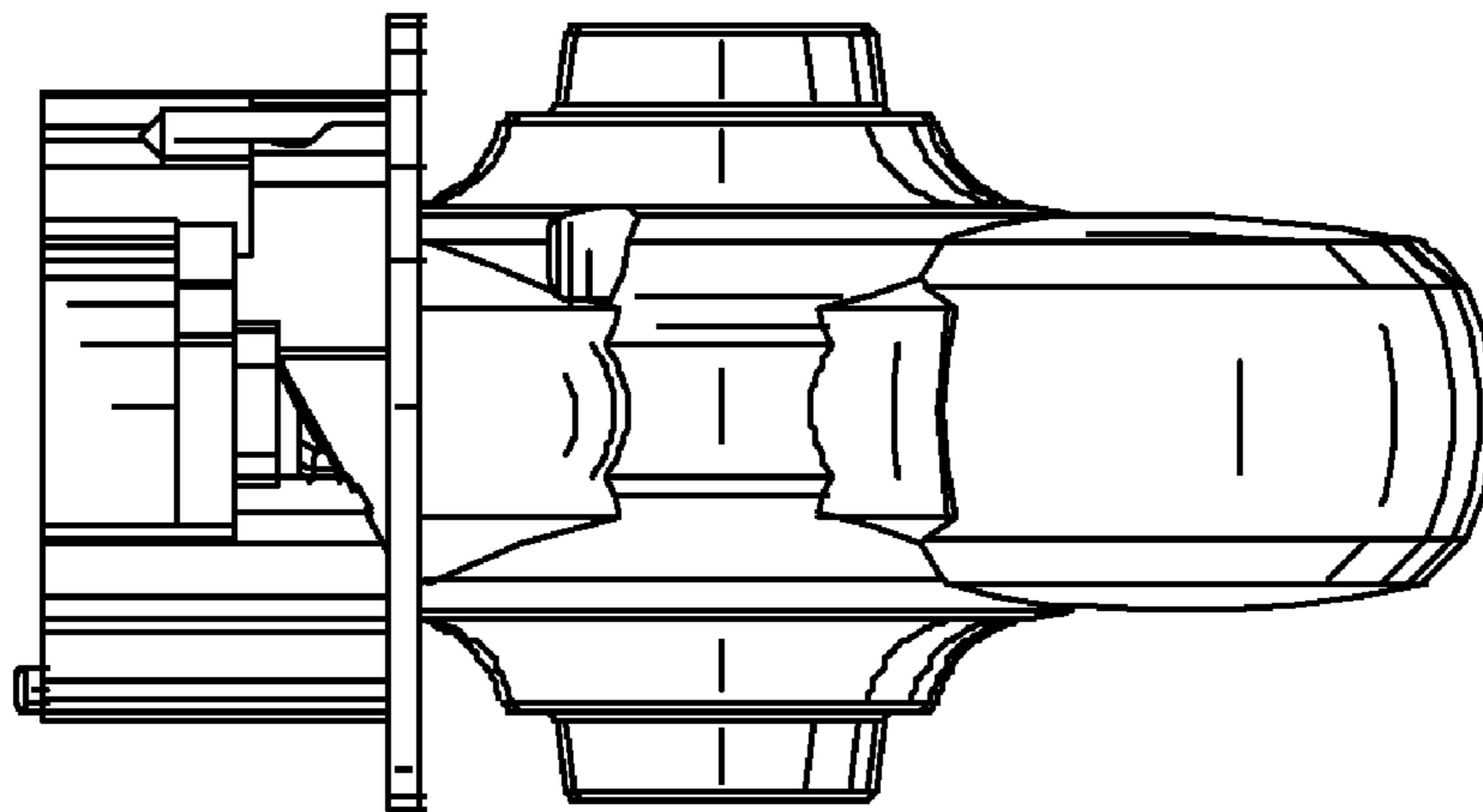


FIG. 6

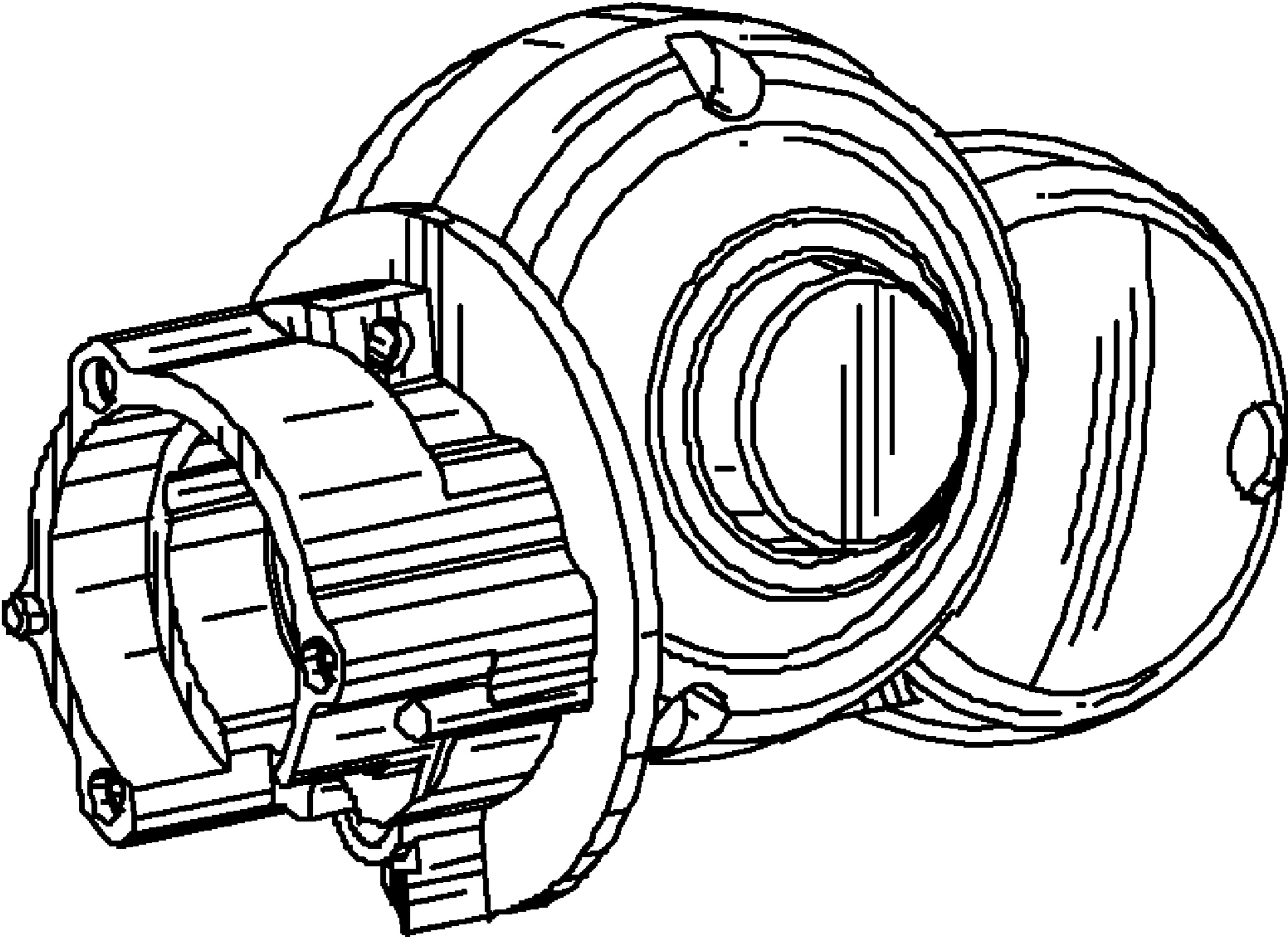


FIG. 7