



US00D584786S

(12) **United States Design Patent**
Brittingham

(10) **Patent No.:** **US D584,786 S**

(45) **Date of Patent:** **** Jan. 13, 2009**

(54) **SILENCER TUBE WITH REDUCED PROFILE**

(76) **Inventor:** **Kevin Tyson Brittingham**, 1434
Hillcrest Rd., Norcross, GA (US) 30093

(**) **Term:** **14 Years**

(21) **Appl. No.:** **29/269,171**

(22) **Filed:** **Nov. 22, 2006**

(51) **LOC (9) Cl.** **22-01**

(52) **U.S. Cl.** **D22/108**

(58) **Field of Classification Search** D22/100,
D22/108, 199; 42/79, 90, 1.06; 89/14.3,
89/14.4; 181/223

See application file for complete search history.

(56) **References Cited**

U.S. PATENT DOCUMENTS

4,291,610	A *	9/1981	Waiser	89/14.4
4,584,924	A *	4/1986	Taguchi	89/14.4
4,974,489	A *	12/1990	Fishbaugh	89/14.4
D415,813	S *	10/1999	O'Quinn et al.	D22/108

D435,884	S *	1/2001	Dehaan	D21/572
6,374,718	B1 *	4/2002	Rescigno et al.	89/14.4
6,820,530	B2 *	11/2004	Vais	89/14.3
2007/0107590	A1 *	5/2007	Silvers	89/14.4
2007/0266844	A1 *	11/2007	Dueck	89/14.4

* cited by examiner

Primary Examiner—Ian Simmons
Assistant Examiner—Wan Laymon

(57) **CLAIM**

The ornamental design for a silencer tube with reduced profile, as shown and described.

DESCRIPTION

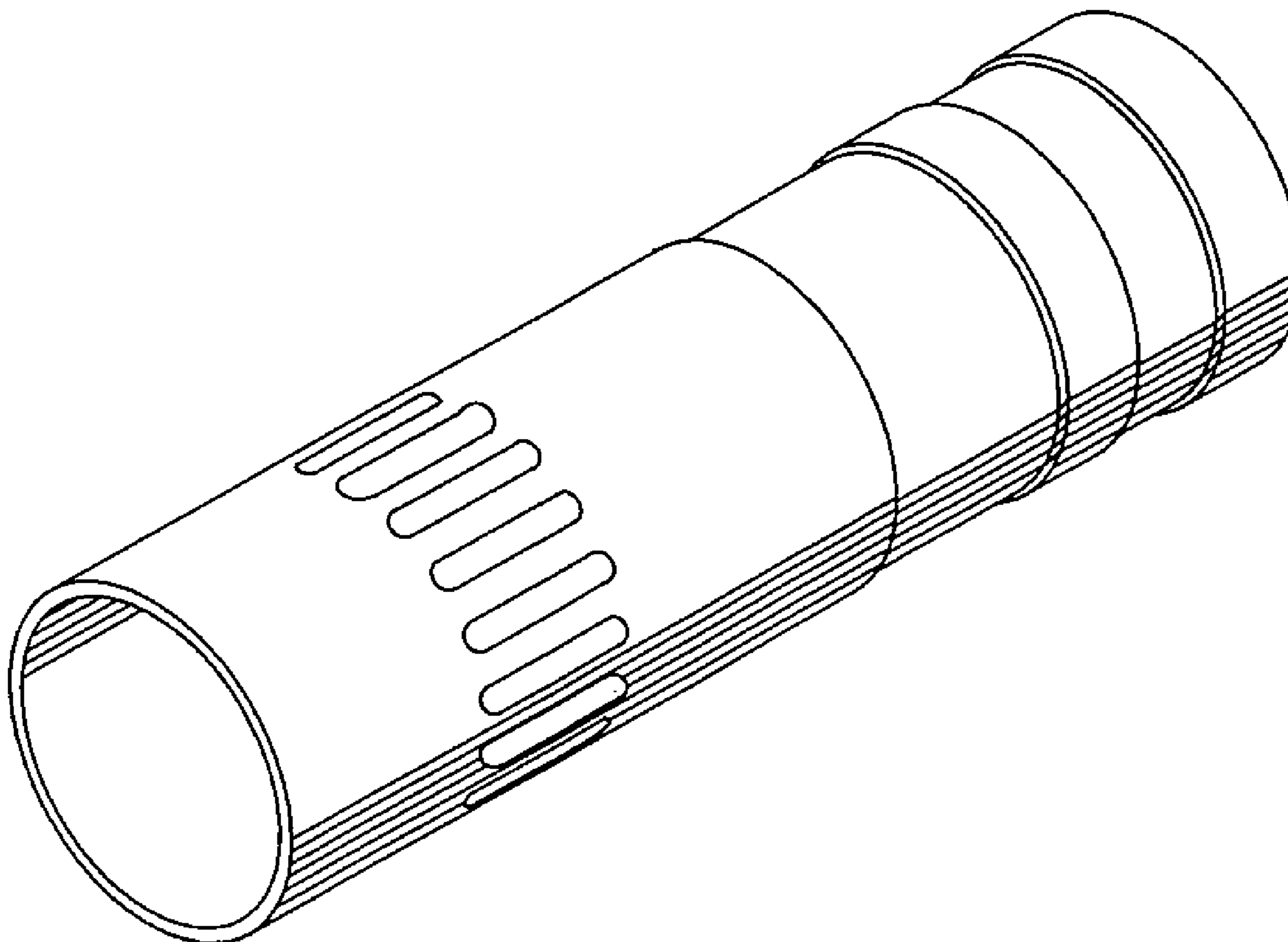
FIG. 1 is a side perspective view of a silencer tube with reduced profile showing my new design;

FIG. 2 is a side elevation view thereof;

FIG. 3 is a cross-sectional view taken along section line 3—3 of FIG. 2; and,

FIG. 4 is a top view thereof.

1 Claim, 1 Drawing Sheet



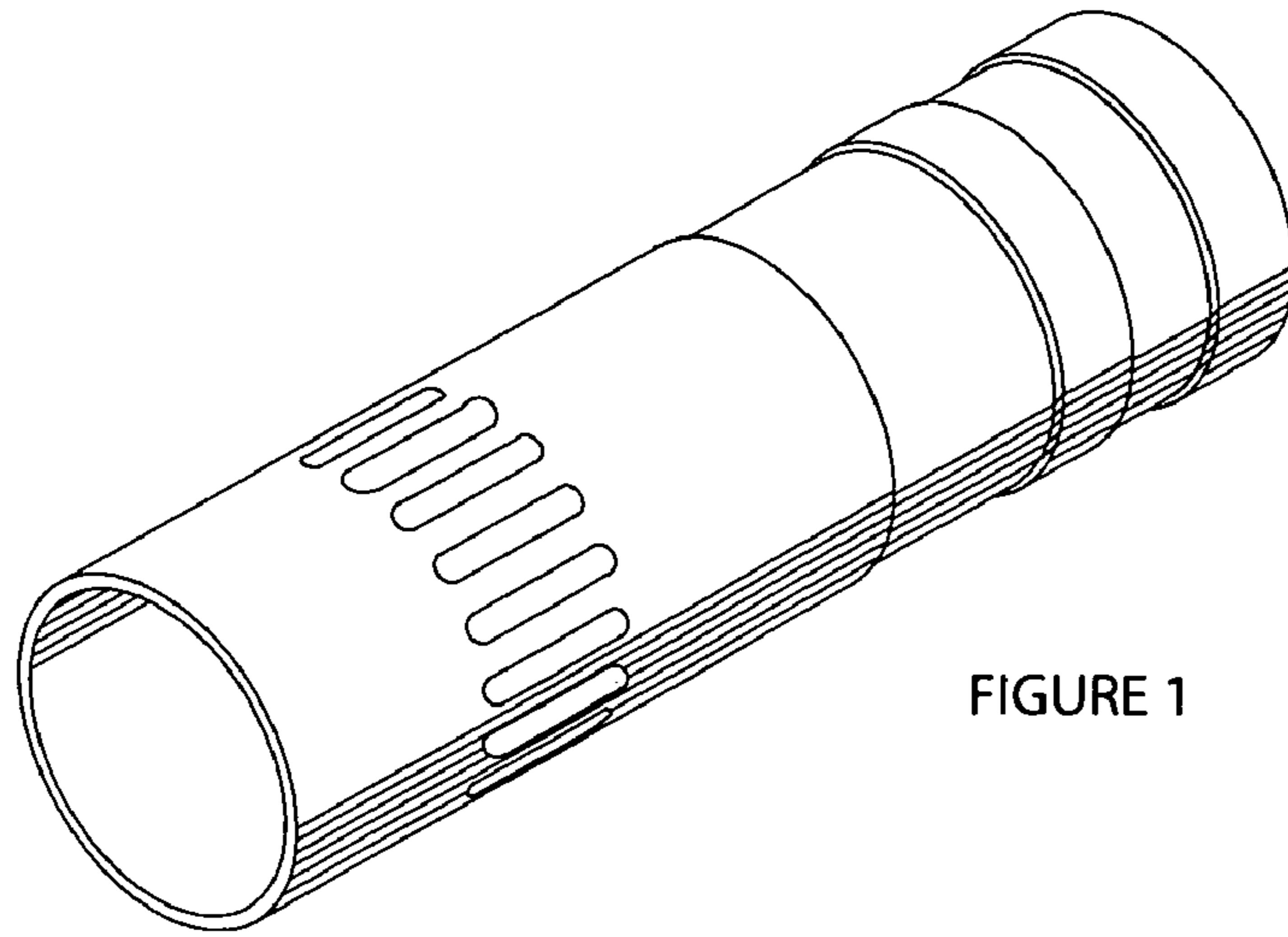


FIGURE 1

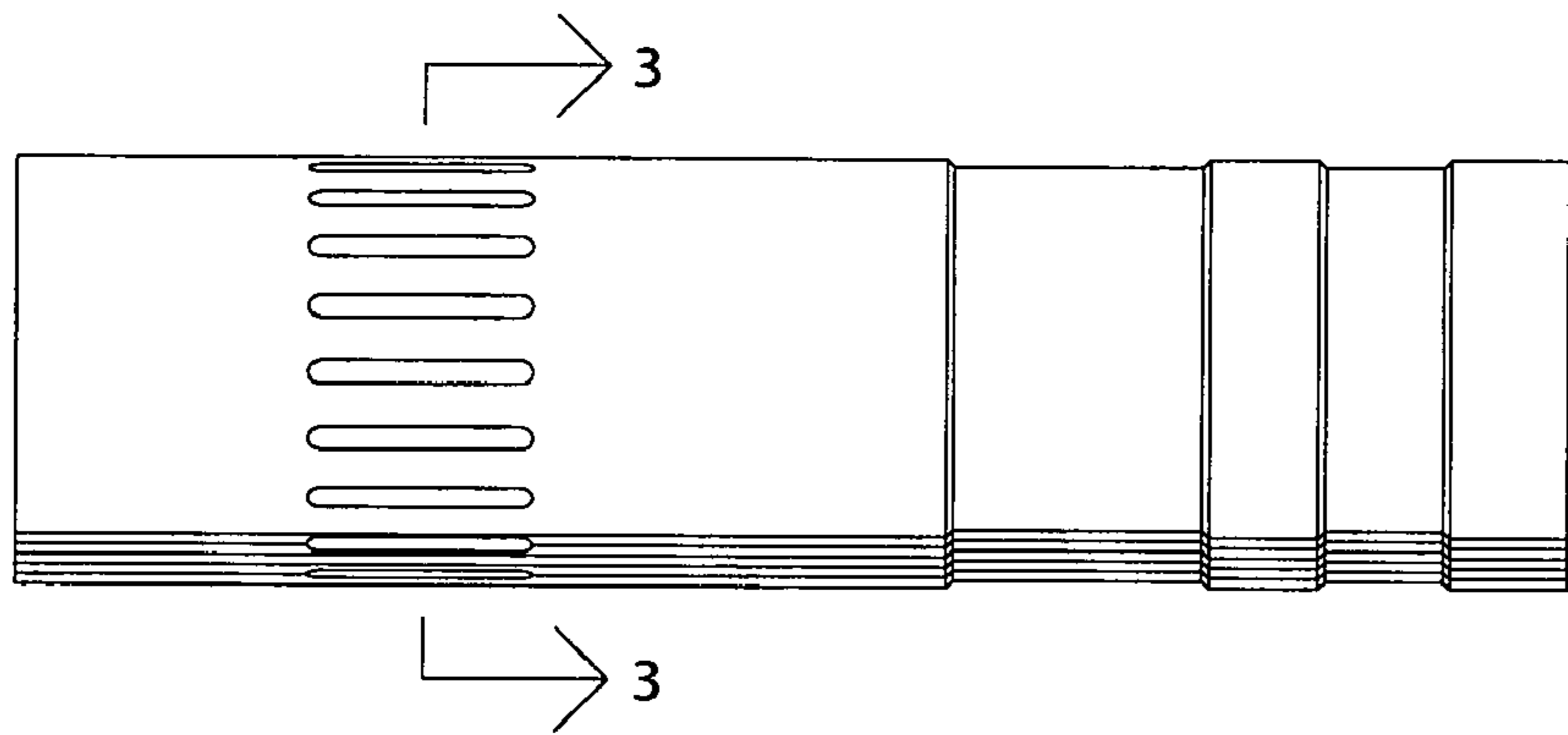


FIGURE 2

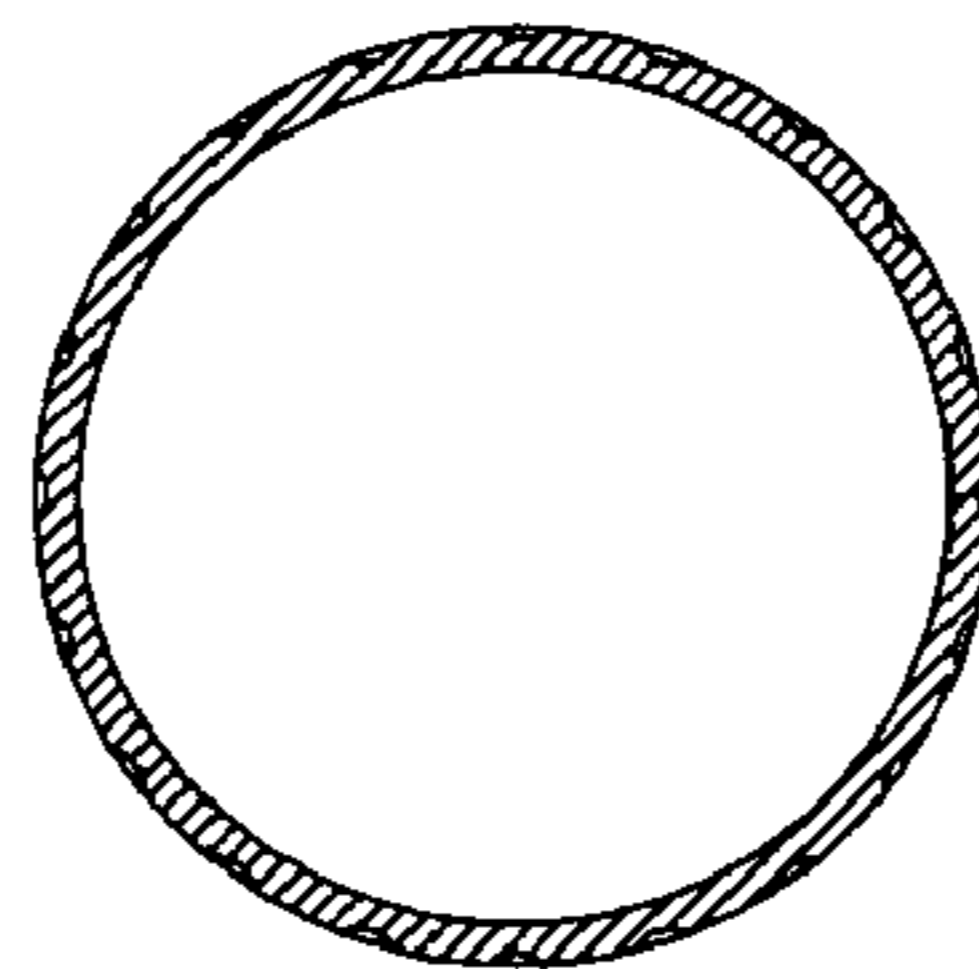


FIGURE 3

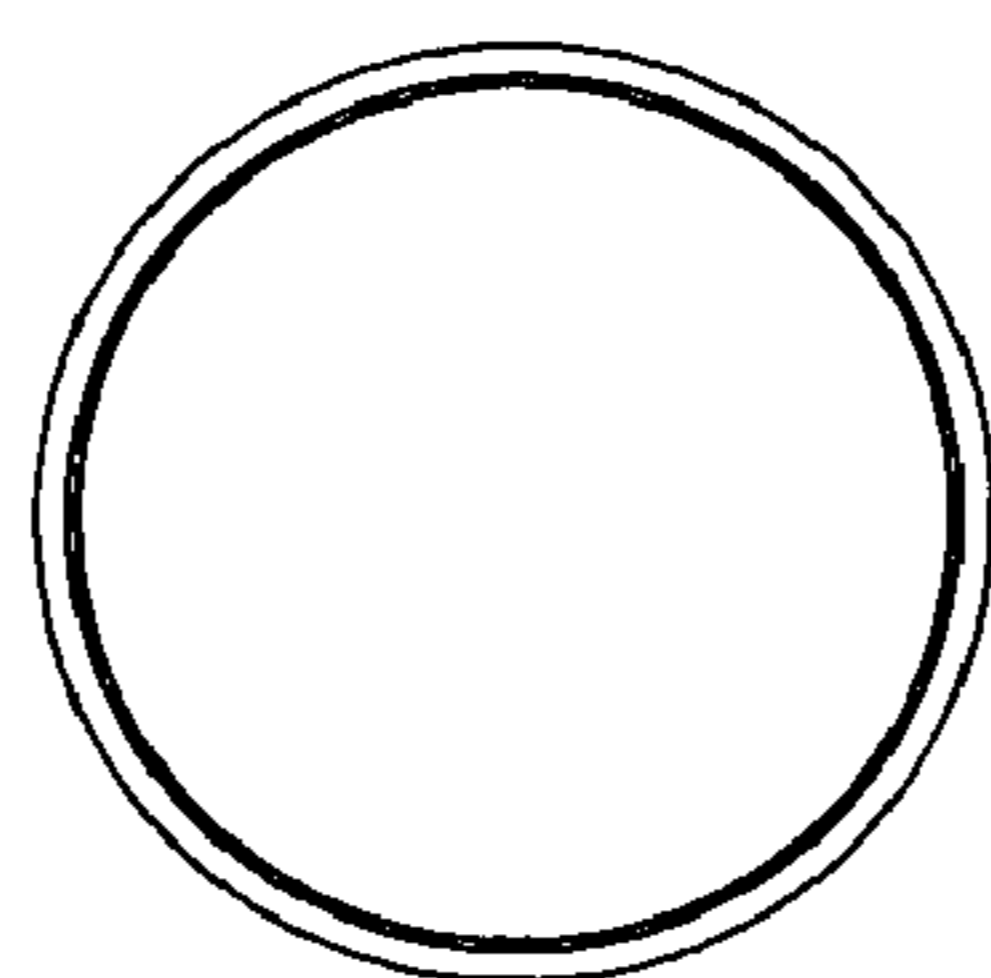


FIGURE 4