



US00D584785S

(12) **United States Design Patent**
McDonald

(10) **Patent No.:** **US D584,785 S**

(45) **Date of Patent:** **** Jan. 13, 2009**

(54) **BOXING TRAINER**

(76) **Inventor:** **Dar'Rell McDonald**, 1555 Avenue S -,
Suite 104, Grand Prairie, TX (US) 75050

(**) **Term:** **14 Years**

(21) **Appl. No.:** **29/308,765**

(22) **Filed:** **Jul. 7, 2008**

(51) **LOC (9) Cl.** **21-02**

(52) **U.S. Cl.** **D21/787**

(58) **Field of Classification Search** D21/662,
D21/675, 694, 698, 787, 798, 658; D20/32;
D19/59; D29/116.1, 123; 434/247, 256,
434/257, 392; 482/83-90; 473/422, 429,
473/442, 443; 446/268, 322, 323, 334-336,
446/332, 361, 390, 473, 487, 489; 273/390,
273/393, 407, 440.1

See application file for complete search history.

(56) **References Cited**

U.S. PATENT DOCUMENTS

| | | | | | |
|-----------|------|---------|---------------|-------|---------|
| 4,434,980 | A * | 3/1984 | Babineaux | | 482/86 |
| 4,593,900 | A * | 6/1986 | Burke | | 482/83 |
| 5,281,191 | A * | 1/1994 | DeSousa | | 482/83 |
| D384,378 | S * | 9/1997 | Sigler | | D21/787 |
| 5,722,920 | A * | 3/1998 | Bauer | | 482/83 |
| 5,800,319 | A * | 9/1998 | Choate | | 482/83 |
| 6,302,831 | B1 * | 10/2001 | Henry | | 482/83 |
| 7,150,700 | B2 * | 12/2006 | MacKay et al. | | 482/83 |
| 7,214,169 | B1 * | 5/2007 | Clayton | | 482/88 |
| 7,244,219 | B1 * | 7/2007 | Preciado | | 482/90 |

| | | | | | |
|--------------|------|---------|-----------|-------|--------|
| 2004/0209744 | A1 * | 10/2004 | Tsujimoto | | 482/83 |
| 2008/0096733 | A1 * | 4/2008 | Epstein | | 482/83 |
| 2008/0119335 | A1 * | 5/2008 | Luigi | | 482/89 |

FOREIGN PATENT DOCUMENTS

| | | | |
|----|---------|------|--------|
| EP | 1297867 | A2 * | 4/2003 |
| SU | 1489789 | A * | 6/1989 |

* cited by examiner

Primary Examiner—Catherine Tuttle
(74) *Attorney, Agent, or Firm*—Jack A. Kanz

(57) **CLAIM**

The ornamental design for the boxing trainer, as shown and described.

DESCRIPTION

FIG. 1 is a front perspective view showing my new design for a boxing trainer positioned for use on a suspended bag;

FIG. 2 is a perspective view showing the design in an alternate, non-use configuration;

FIG. 3 is a front elevational view thereof;

FIG. 4 is a side elevational view of the left-hand side thereof;

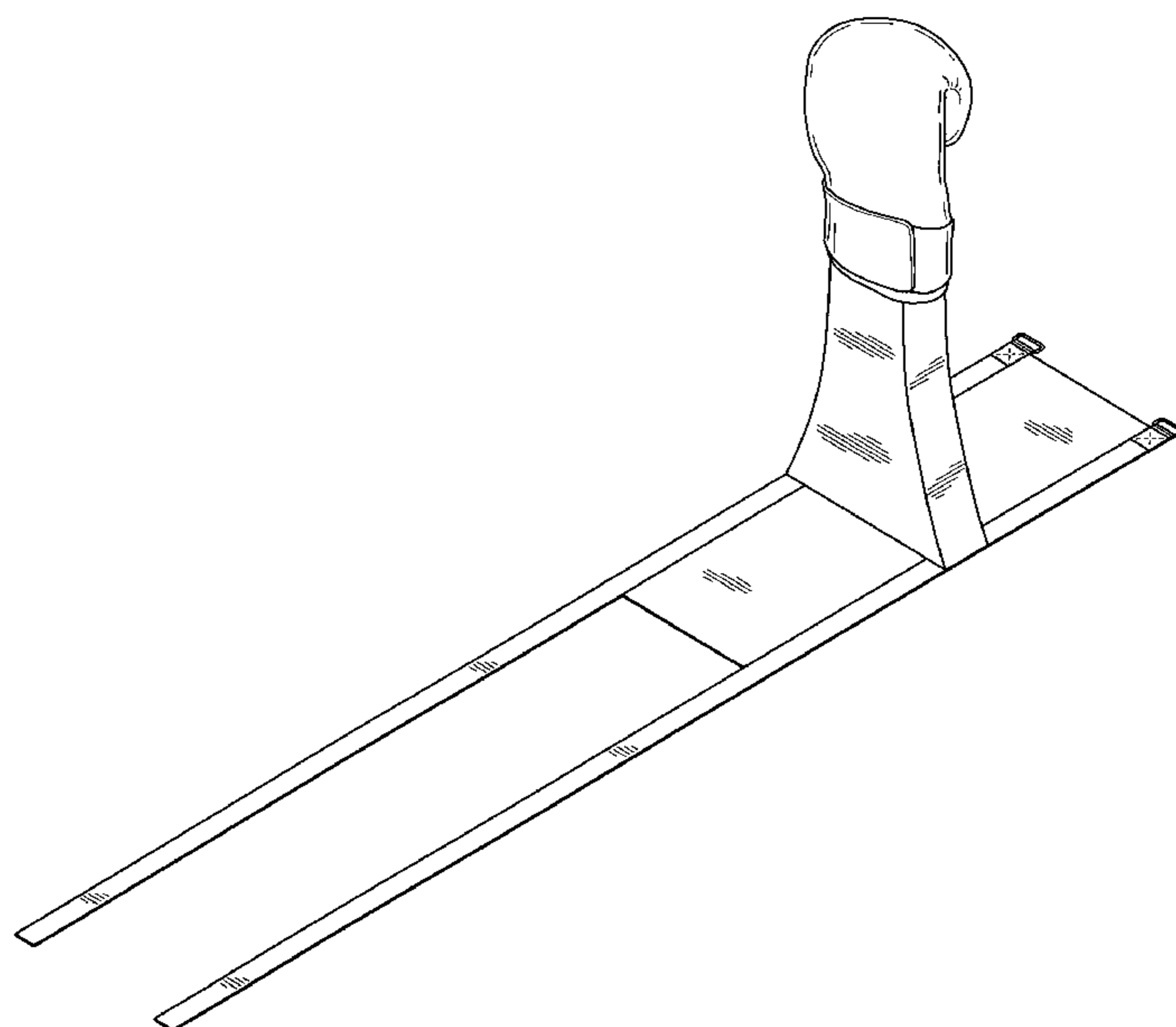
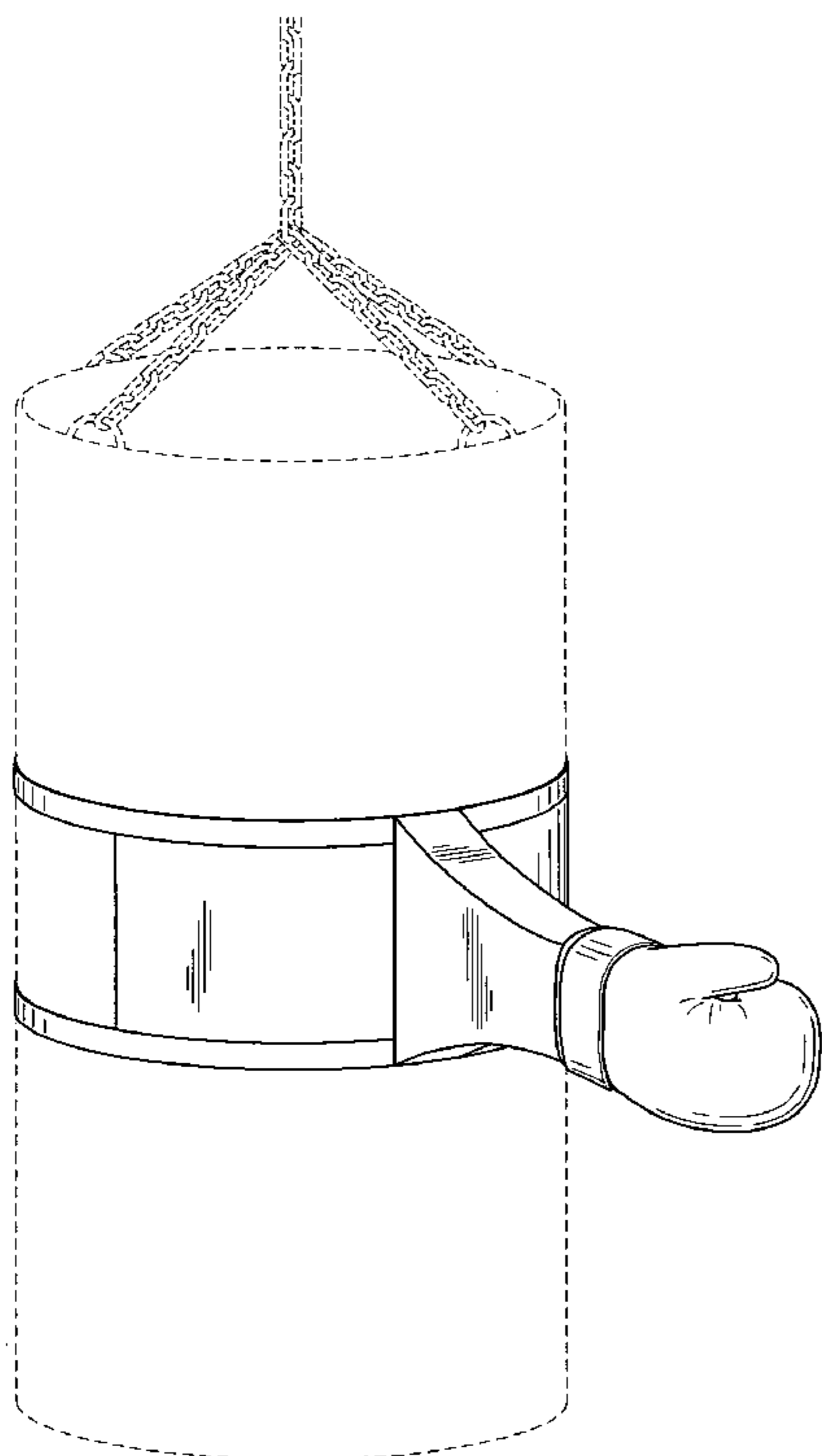
FIG. 5 is a side elevational view of the right-hand side thereof;

FIG. 6 is an inverted top plan view thereof; and,

FIG. 7 is a bottom plan view thereof.

The broken lines showing the suspended bag are included for the purpose of illustrating the environment of the boxing trainer and form no part of the claimed design.

1 Claim, 5 Drawing Sheets



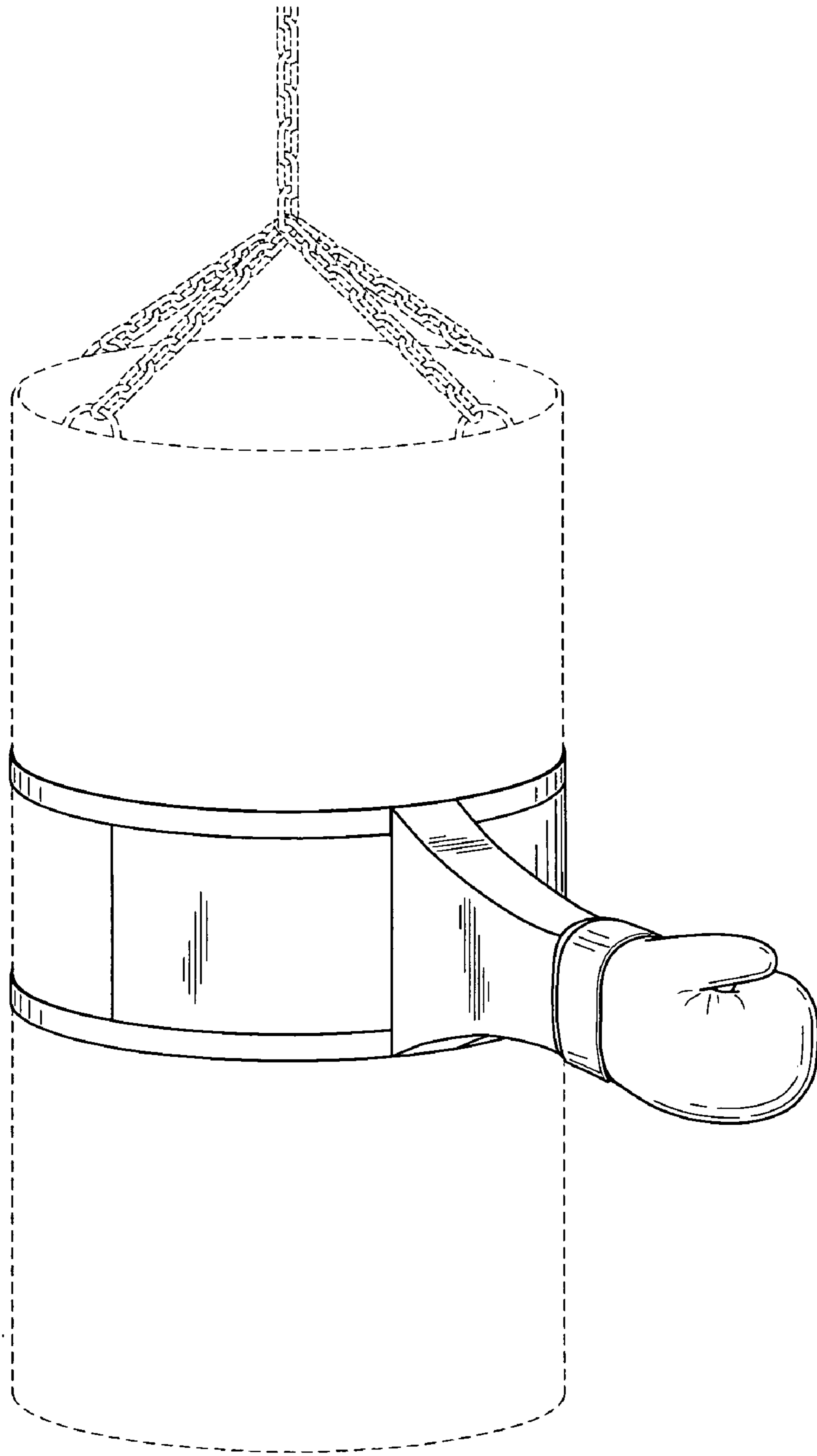


FIG. 1

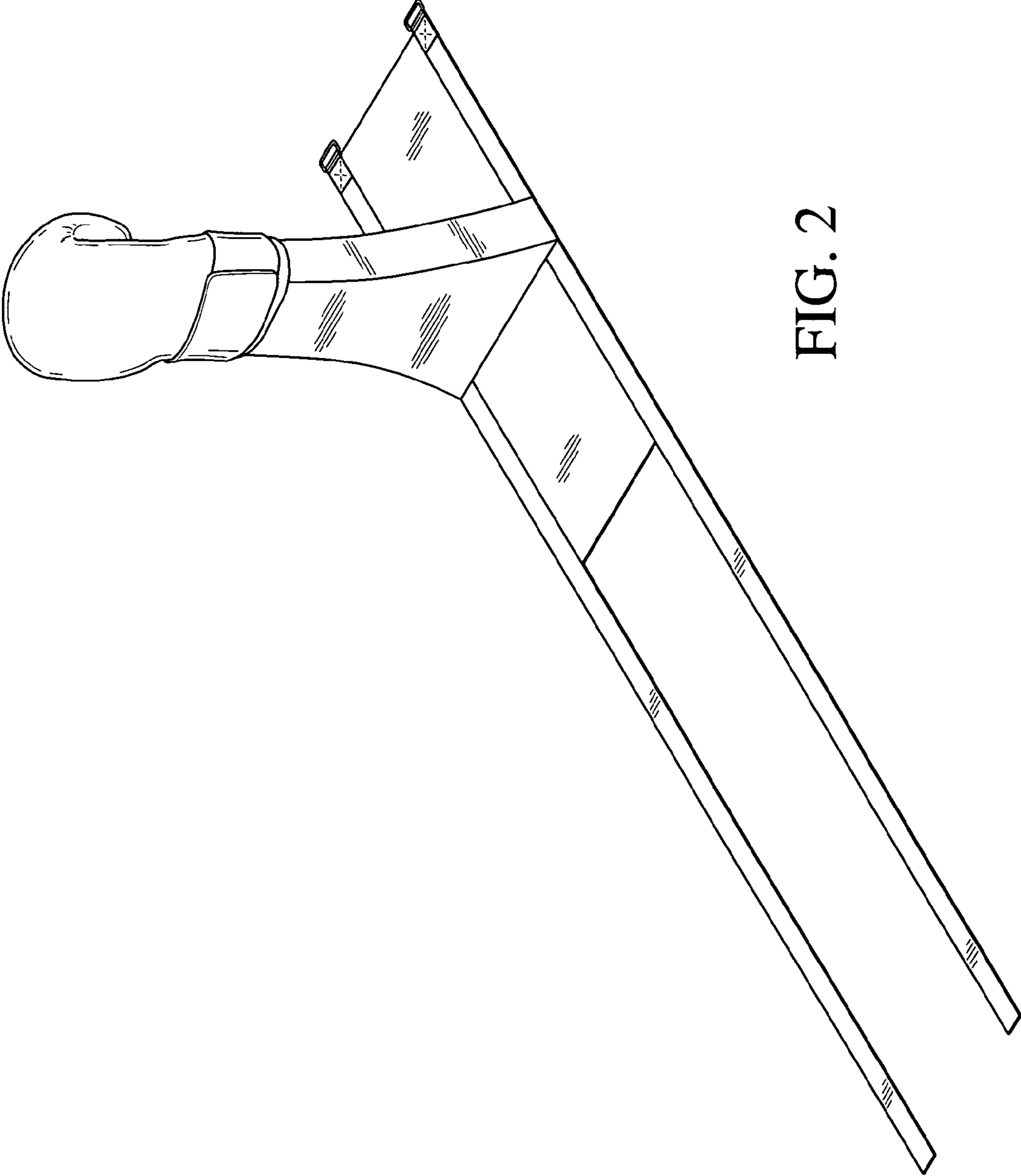


FIG. 2

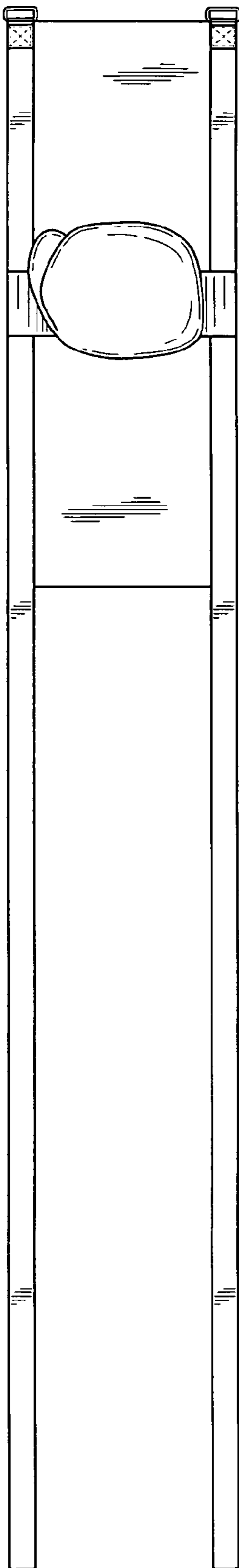


FIG. 3

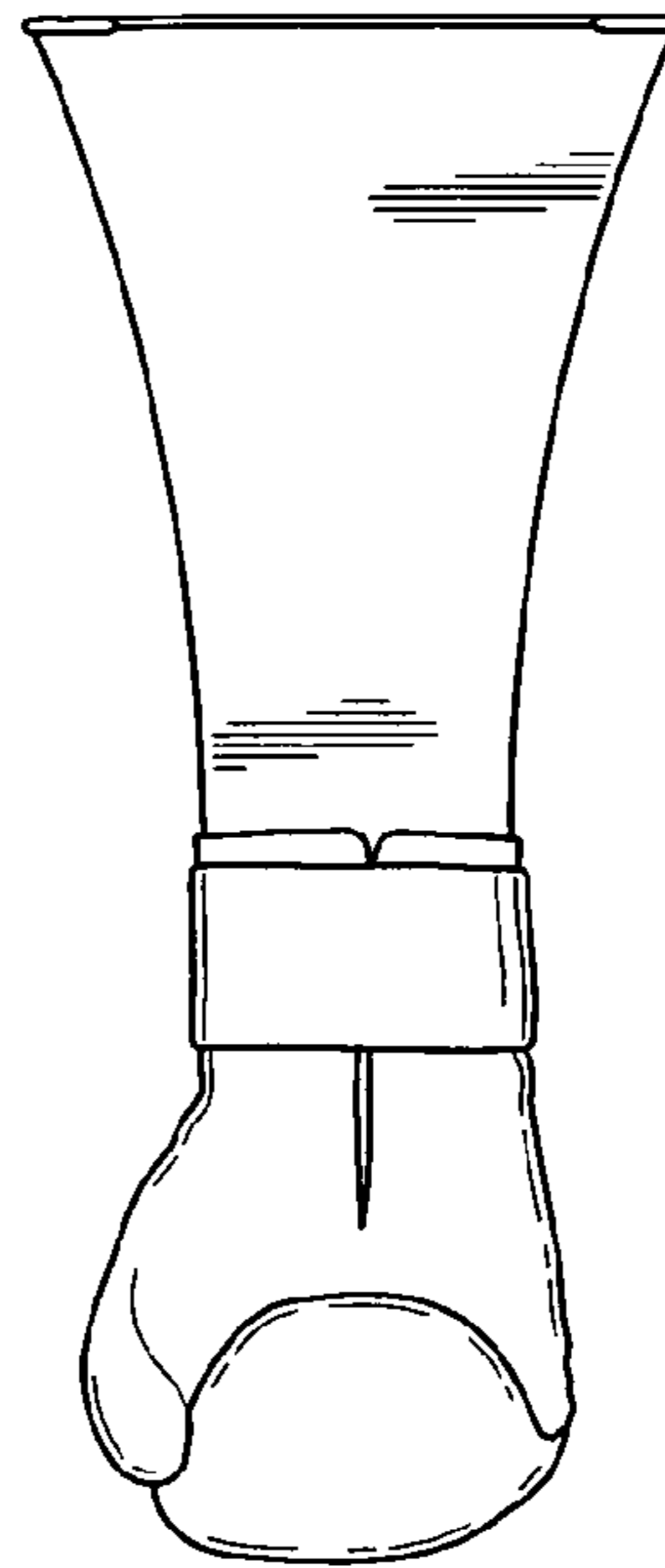


FIG. 4

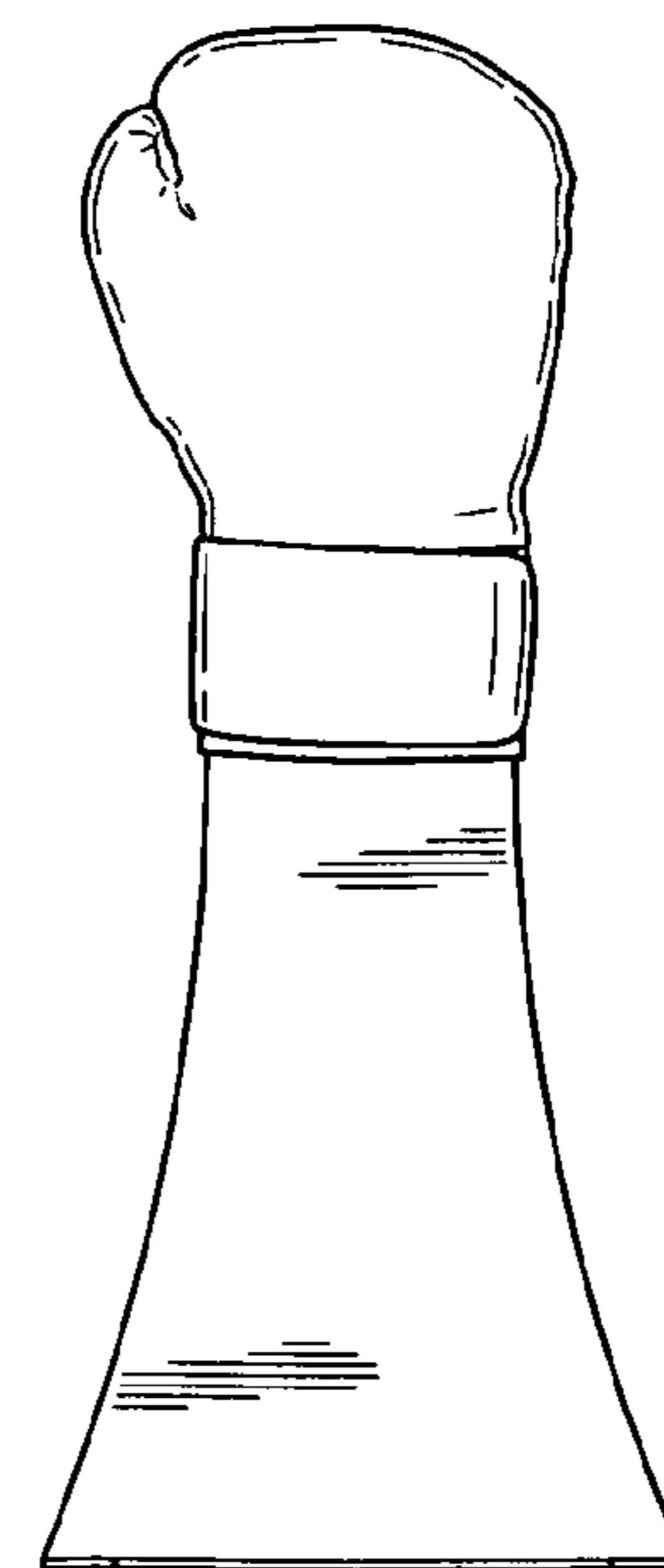


FIG. 5

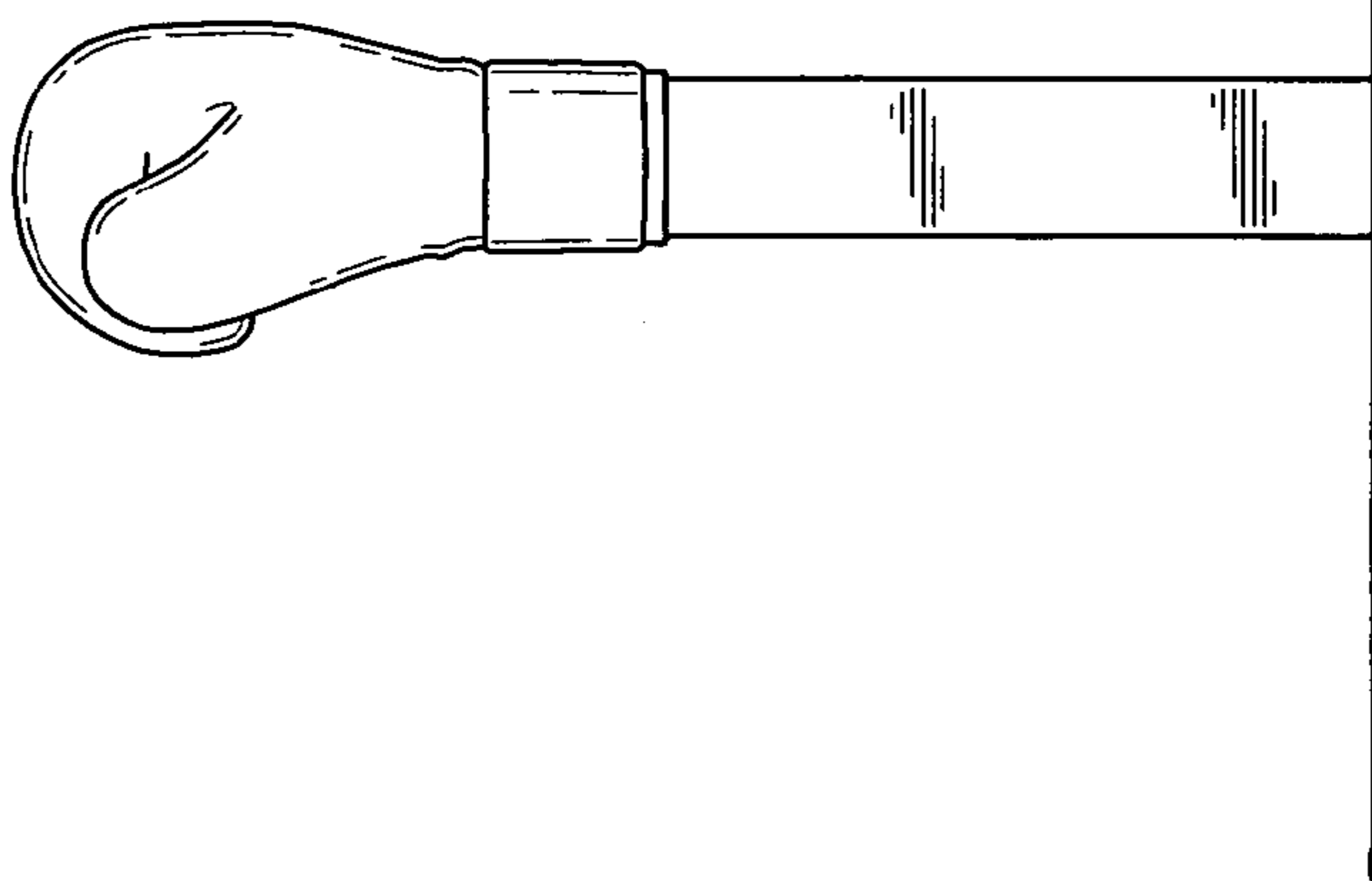


FIG. 6

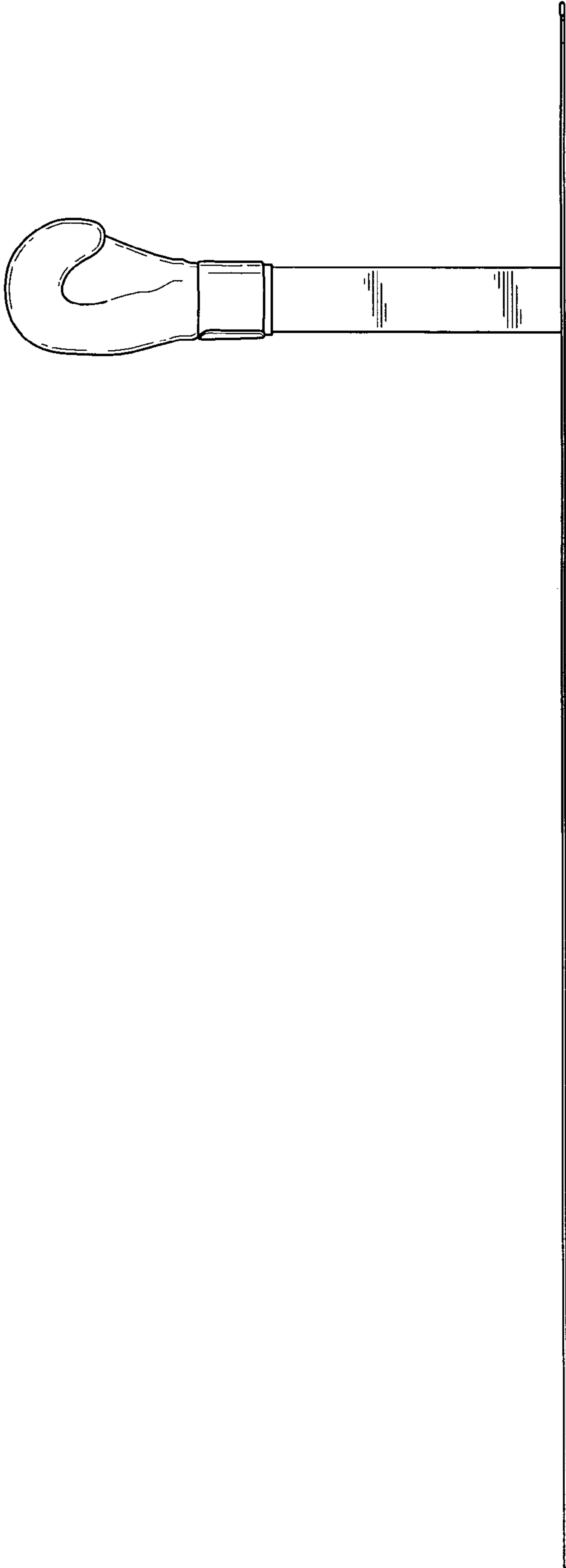


FIG. 7