



US00D584768S

(12) **United States Design Patent**
Ishizawa

(10) **Patent No.:** **US D584,768 S**
(45) **Date of Patent:** **** Jan. 13, 2009**

(54) **INK CARTRIDGE**

(75) Inventor: **Taku Ishizawa**, Shiojiri (JP)

(73) Assignee: **Seiko Epson Corporation** (JP)

(**) Term: **14 Years**

(21) Appl. No.: **29/293,507**

(22) Filed: **Nov. 28, 2007**

(30) **Foreign Application Priority Data**

Sep. 21, 2007 (JP) 2007-025690

(51) **LOC (9) Cl.** **18-02**

(52) **U.S. Cl.** **D18/56**

(58) **Field of Classification Search** D18/12,
D18/43, 56; 347/85-87

See application file for complete search history.

(56) **References Cited**

U.S. PATENT DOCUMENTS

D464,672 S *	10/2002	Shinano et al.	D18/56
D477,020 S *	7/2003	Seino	D18/56
D489,757 S *	5/2004	Matsumoto	D18/56
D522,049 S *	5/2006	Ishizawa et al.	D18/56
D524,855 S *	7/2006	Ishizawa et al.	D18/56
D529,954 S *	10/2006	Matsumoto	D18/56
D538,338 S *	3/2007	Matsumoto	D18/56
2007/0132820 A1 *	6/2007	Sato	347/86

2008/0024572 A1 * 1/2008 Kimura et al. 347/86
2008/0030558 A1 * 2/2008 Seino et al. 347/86

* cited by examiner

Primary Examiner—Cathy Anne MacCormac

(74) *Attorney, Agent, or Firm*—Harness, Dickey & Pierce, P.L.C.

(57) **CLAIM**

The ornamental design for an ink cartridge, as shown and described.

DESCRIPTION

FIG. 1 is a top front perspective view of an ink cartridge showing my new design;

FIG. 2 is a bottom front perspective view thereof;

FIG. 3 is a front view thereof;

FIG. 4 is a rear view thereof;

FIG. 5 is a top plan view thereof;

FIG. 6 is a bottom plan view thereof;

FIG. 7 is a right side view thereof; and,

FIG. 8 is a left side view thereof.

The broken lines are shown for illustrative purposes only and form no part of the claimed design. The dot-dashed lines denote the boundary of the claim, and form no part of the claimed design.

1 Claim, 6 Drawing Sheets

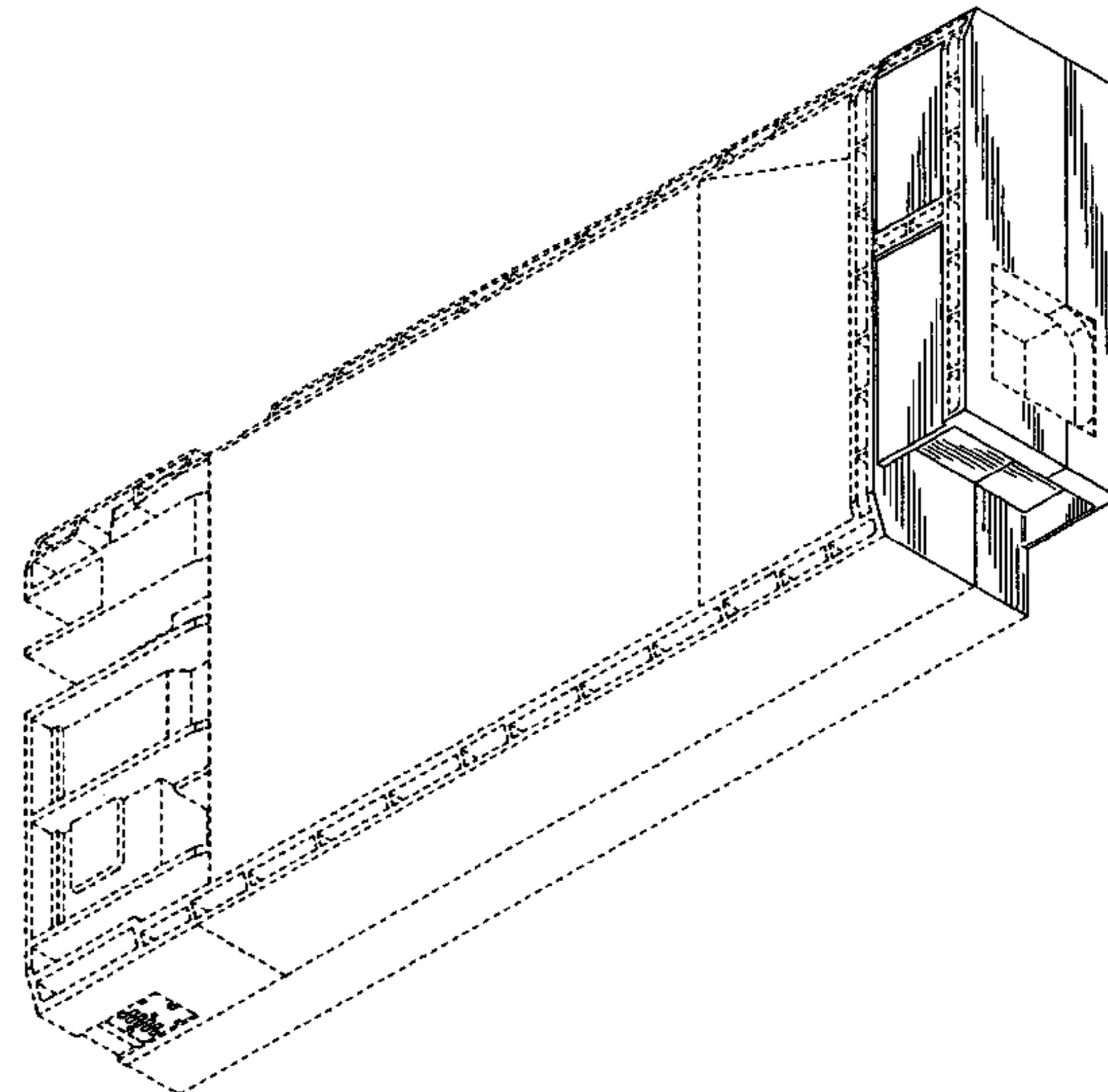
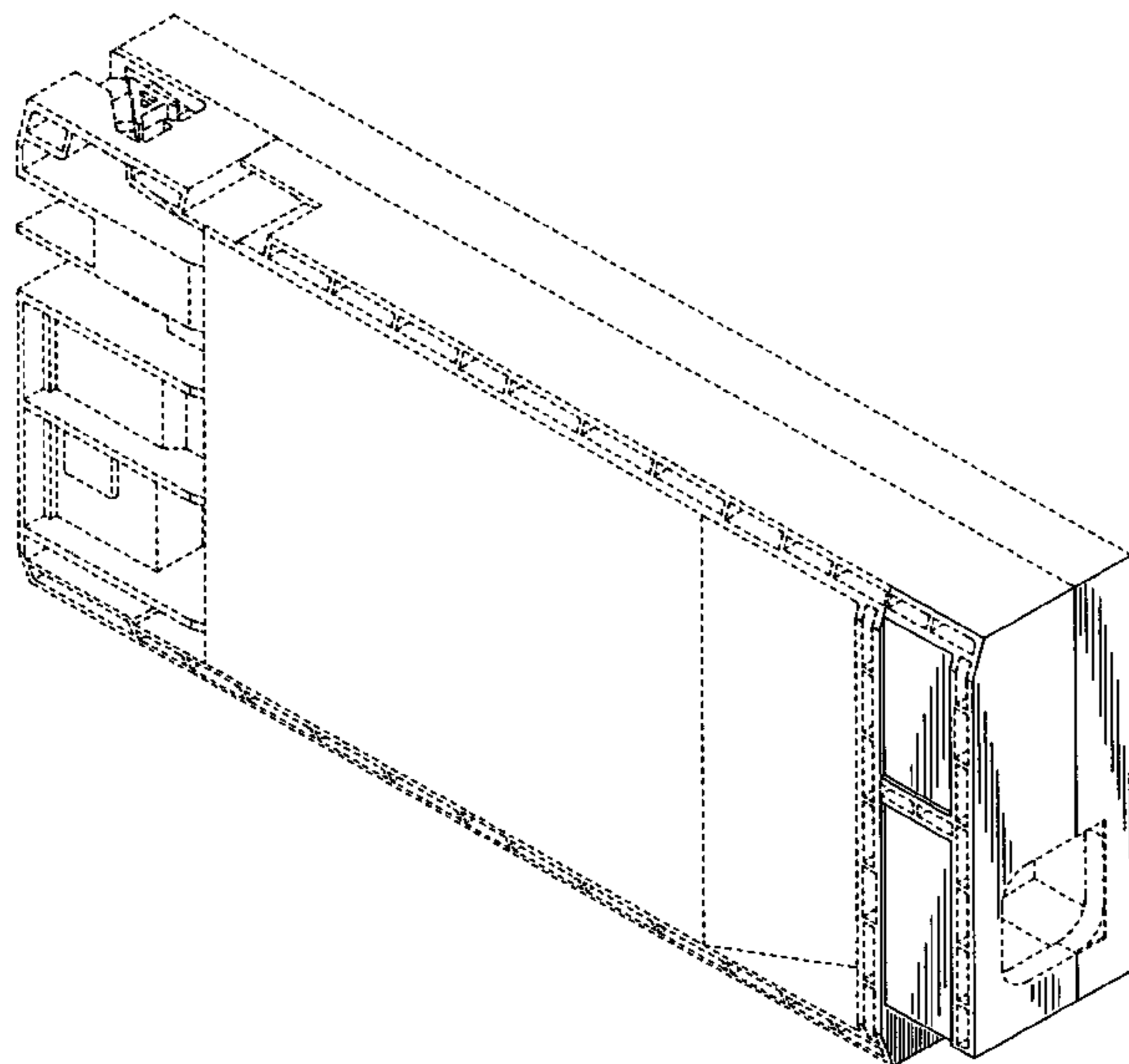


FIG. 1

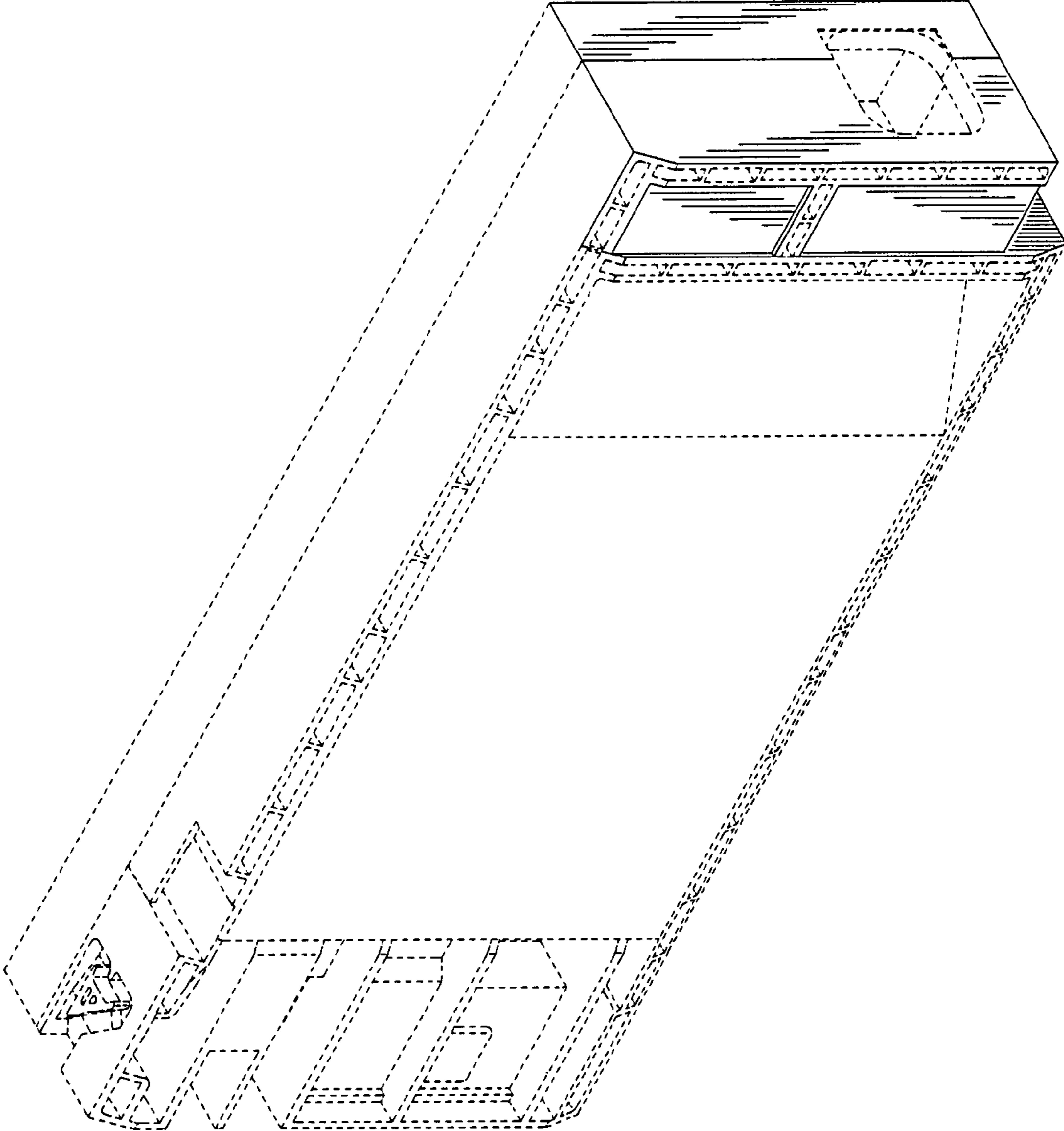


FIG. 2

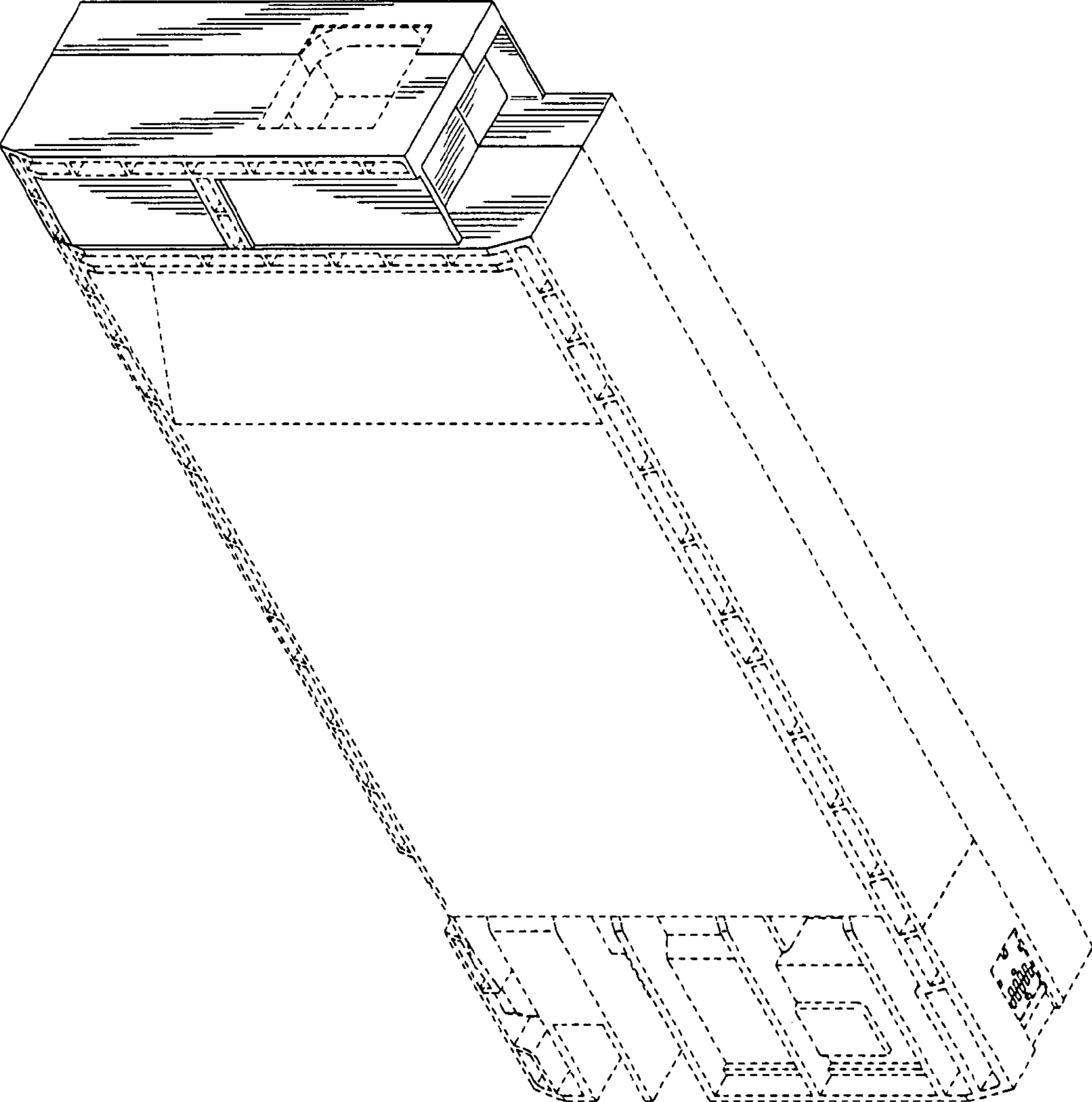


FIG. 3

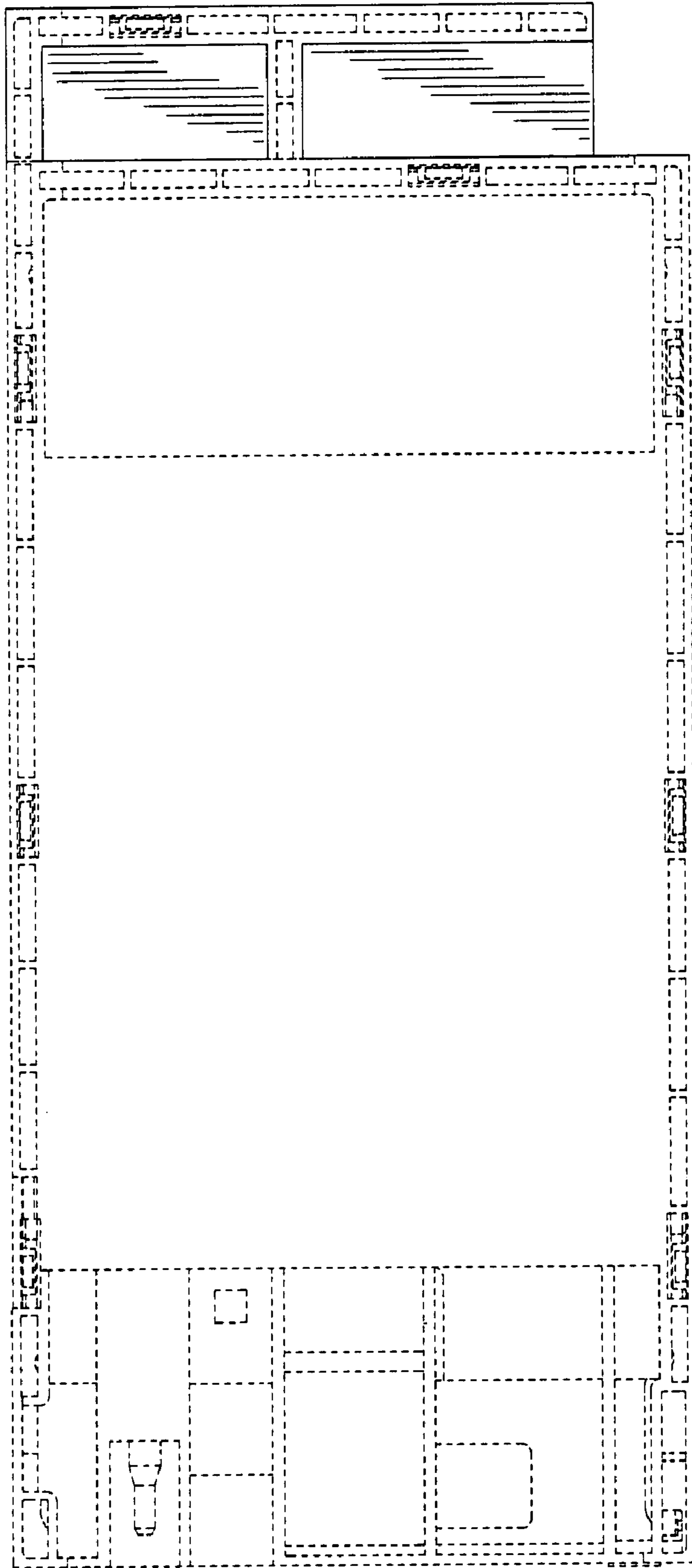


FIG. 4

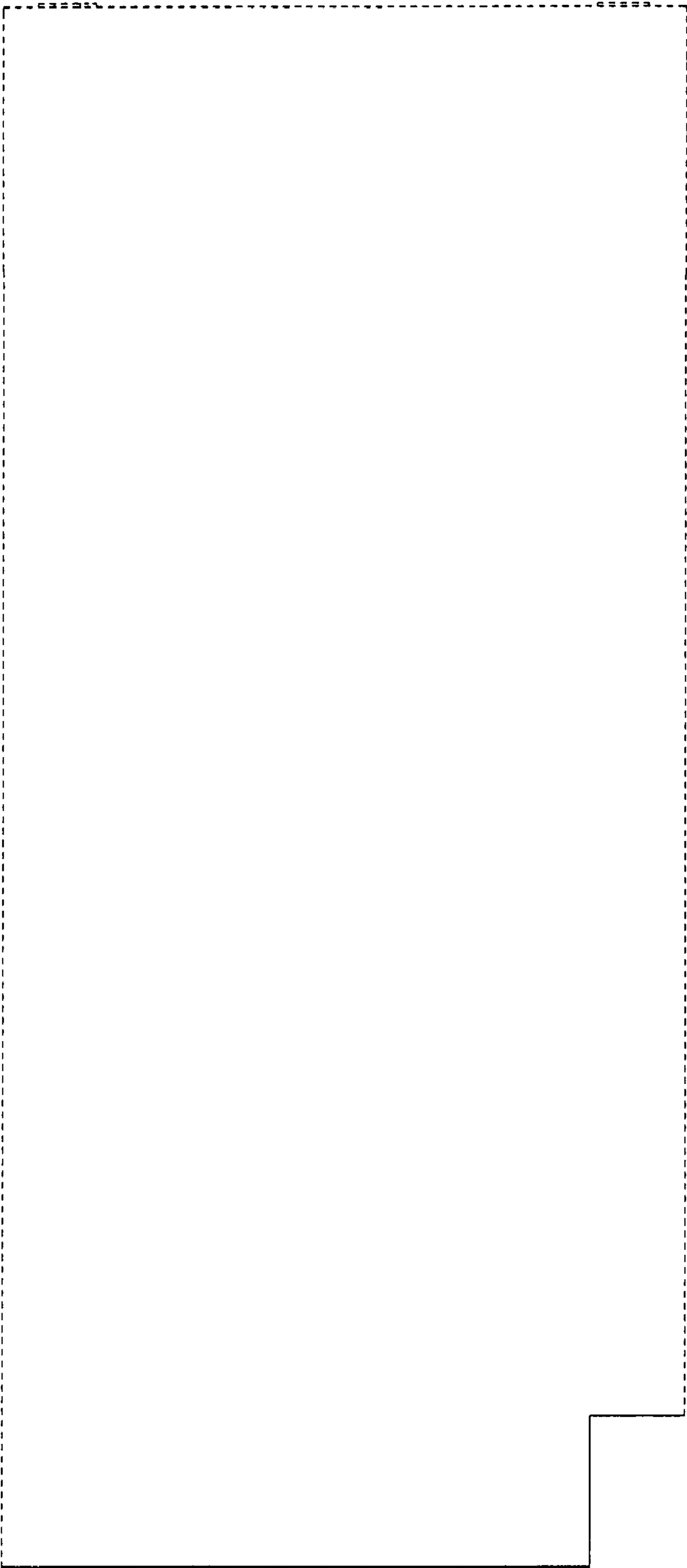


FIG. 5

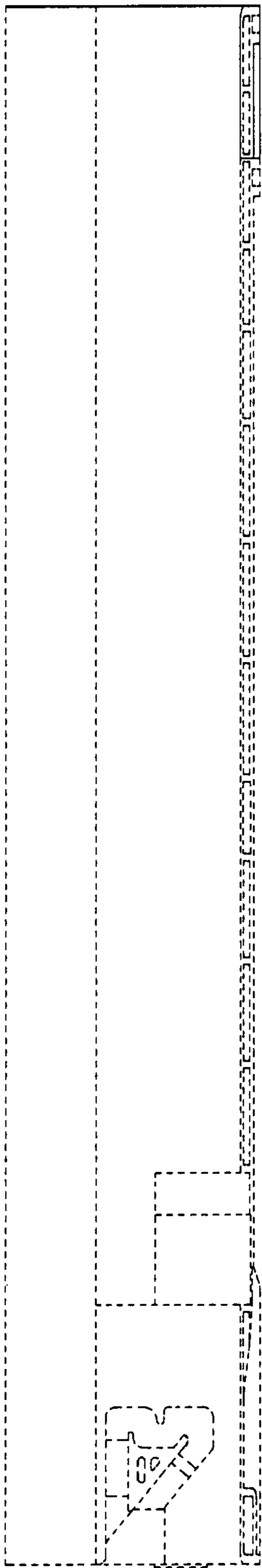


FIG. 6

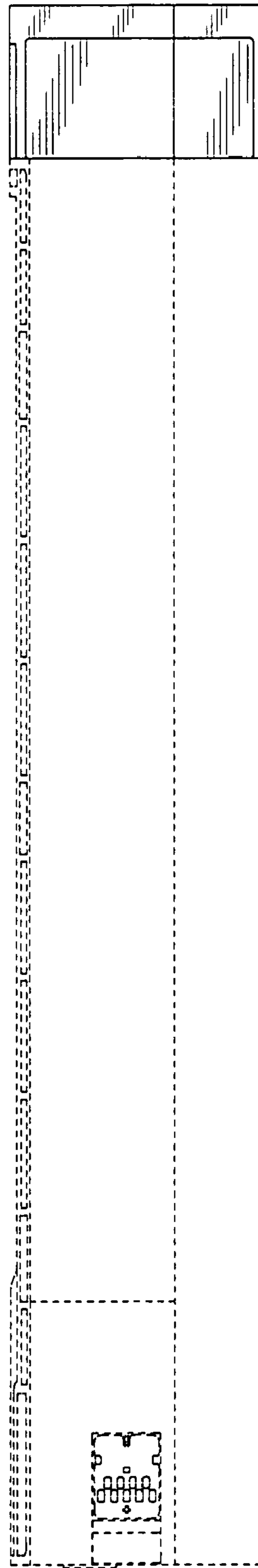


FIG. 8

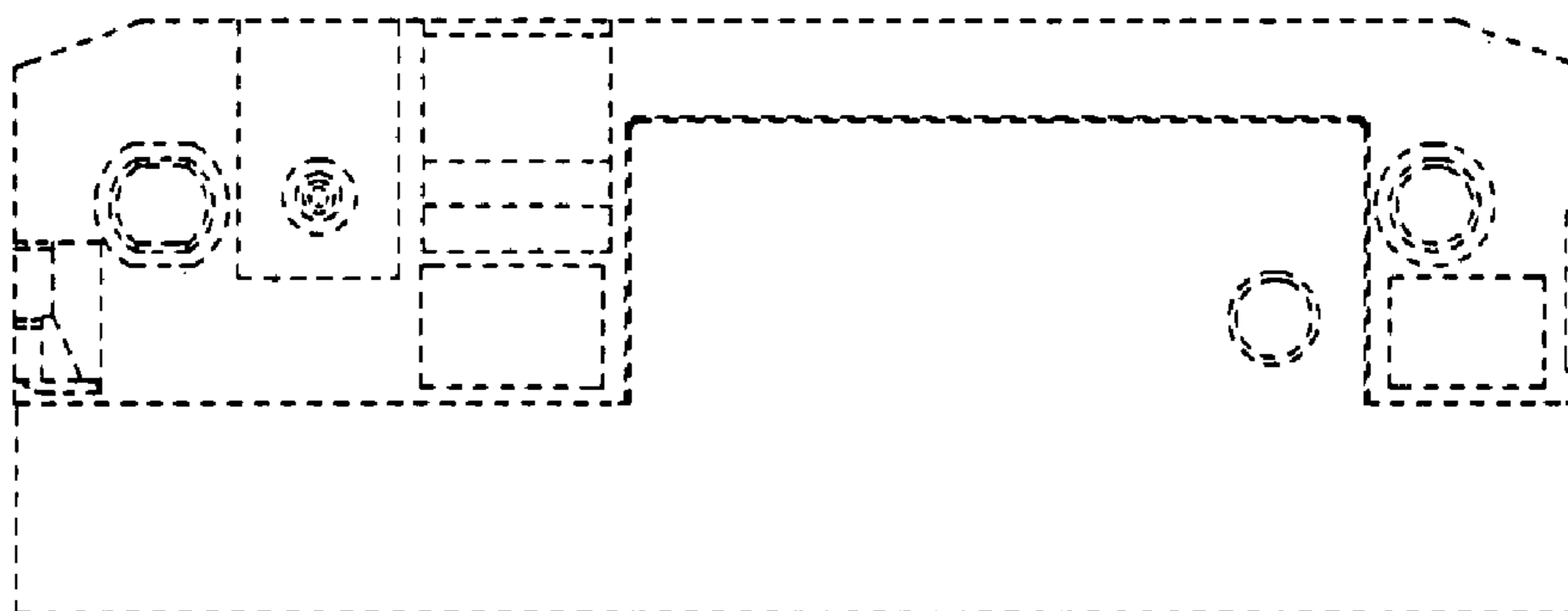


FIG. 7

