



US00D584767S

(12) **United States Design Patent**
Nagata et al.

(10) **Patent No.:** **US D584,767 S**
(45) **Date of Patent:** **** Jan. 13, 2009**

(54) **STAMP**

5,267,801 A * 12/1993 Huang 400/197
D480,751 S * 10/2003 Sugrue et al. D18/51

(75) Inventors: **Norio Nagata**, Matsumoto (JP); **Seiji Kimura**, Shiojiri (JP)

* cited by examiner

(73) Assignee: **Seiko Epson Corporation** (JP)

Primary Examiner—Charles A Rademaker
(74) *Attorney, Agent, or Firm*—Harness, Dickey & Pierce, P.L.C.

(**) Term: **14 Years**

(21) Appl. No.: **29/291,497**

(57) **CLAIM**

(22) Filed: **Aug. 31, 2007**

The ornamental design for a stamp, as shown and described.

(30) **Foreign Application Priority Data**

DESCRIPTION

Jun. 1, 2007 (JP) 2007-014582

FIG. 1 is a top, front and right side perspective view of a stamp showing our new design;

(51) **LOC (9) Cl.** **18-02**

FIG. 2 is a front view thereof;

(52) **U.S. Cl.** **D18/56**

FIG. 3 is a rear view thereof;

(58) **Field of Classification Search** D18/15,
D18/16, 17, 18, 50, 56, 51, 34.9; 101/333,
101/334, 327, 328, 352.07, 405, 406, 348;
118/264, 268; 400/197

FIG. 4 is a left side view thereof;

FIG. 5 is a right side view thereof;

See application file for complete search history.

FIG. 6 is a top view thereof;

FIG. 7 is a bottom view thereof;

(56) **References Cited**

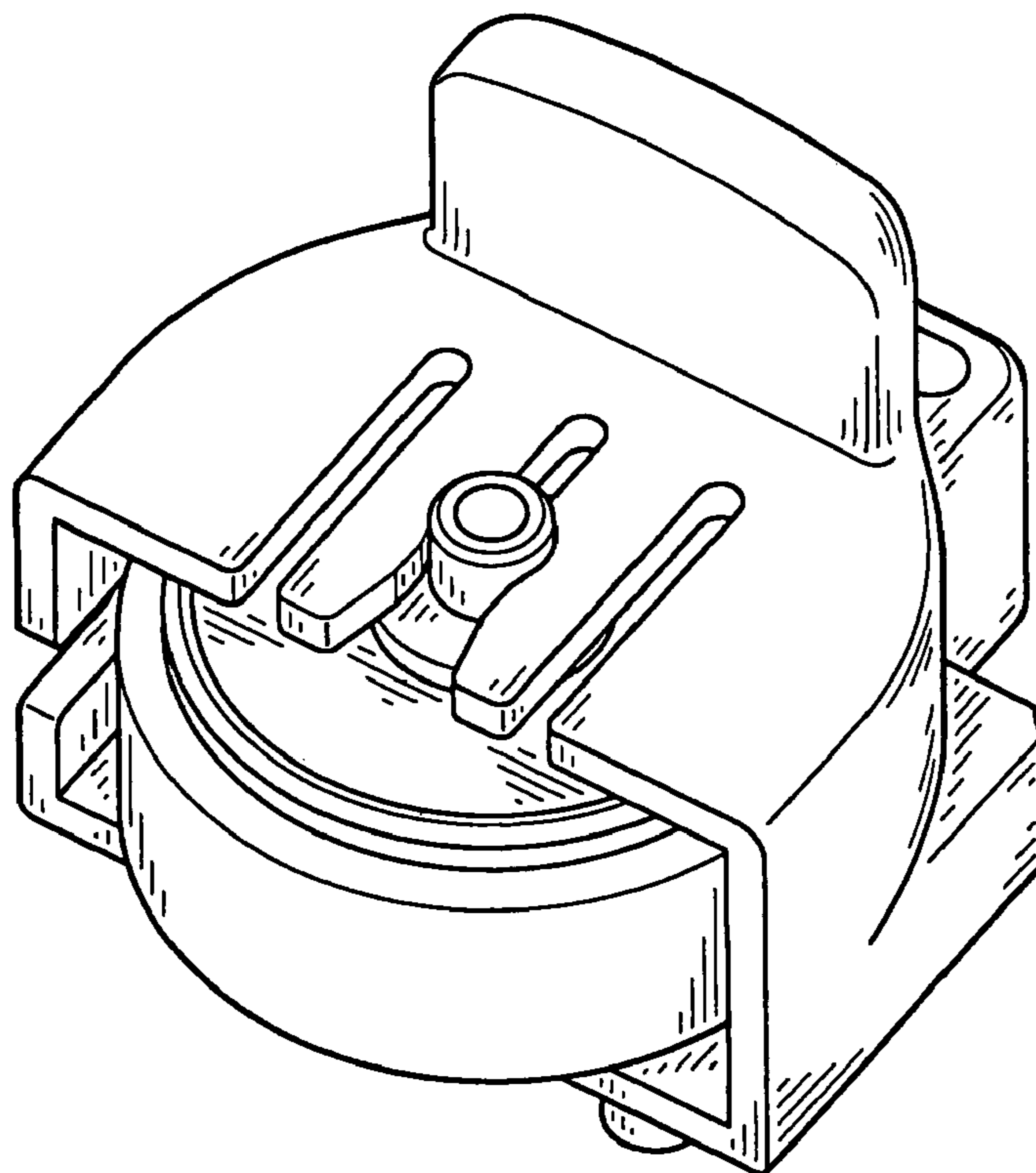
U.S. PATENT DOCUMENTS

4,044,677 A * 8/1977 Hamisch, Jr. 101/348
D258,828 S * 4/1981 Zrobek D18/58
D301,153 S * 5/1989 Osako D18/34.9
D321,899 S * 11/1991 Knox et al. D18/58

FIG. 8 is a perspective view thereof; as viewed from the top, rear and left side and,

FIG. 9 is another perspective view thereof showing the design on a reduced scale and with environmental structure in broken lines that form no part of the claim.

1 Claim, 6 Drawing Sheets



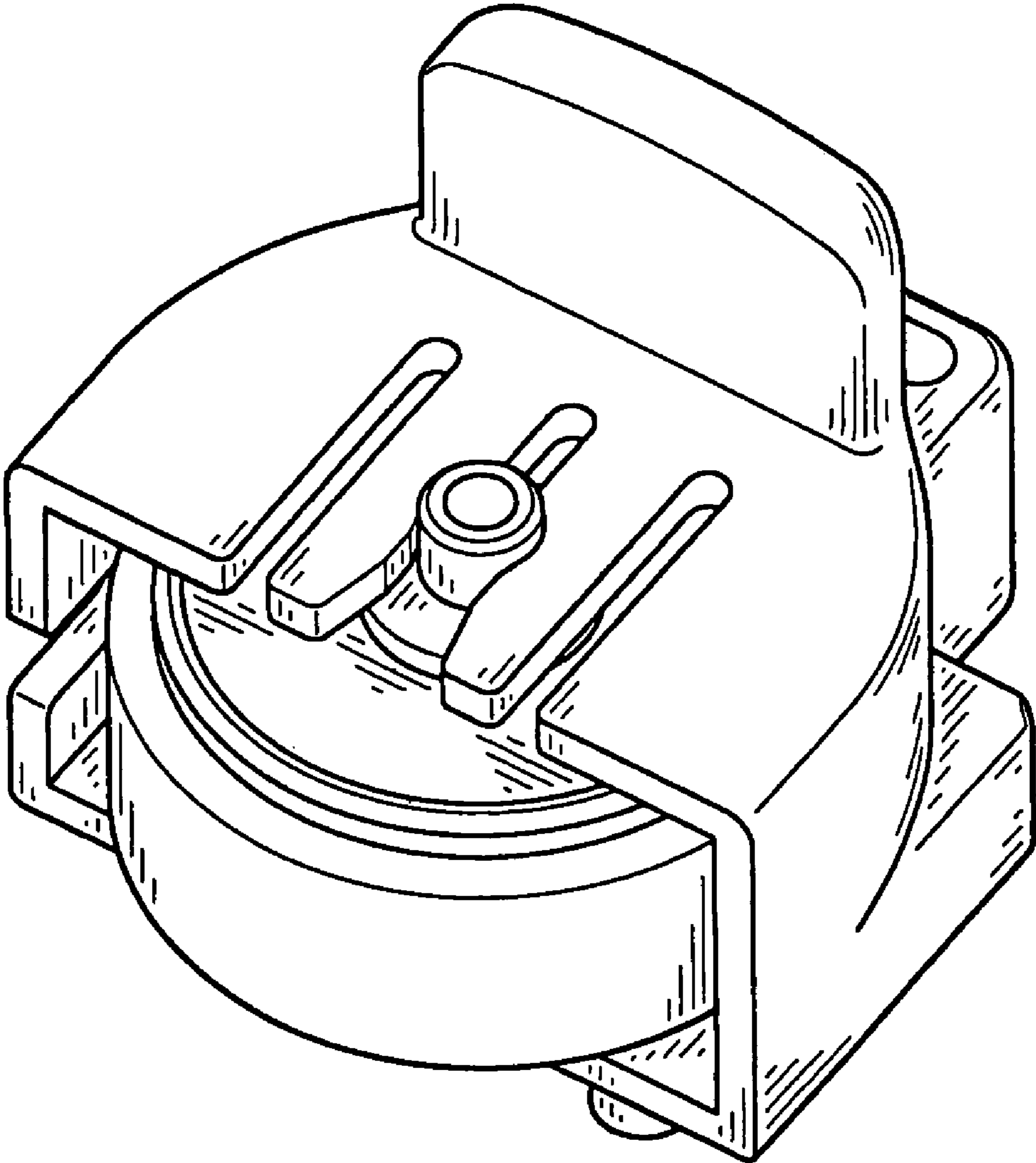


FIG. 1

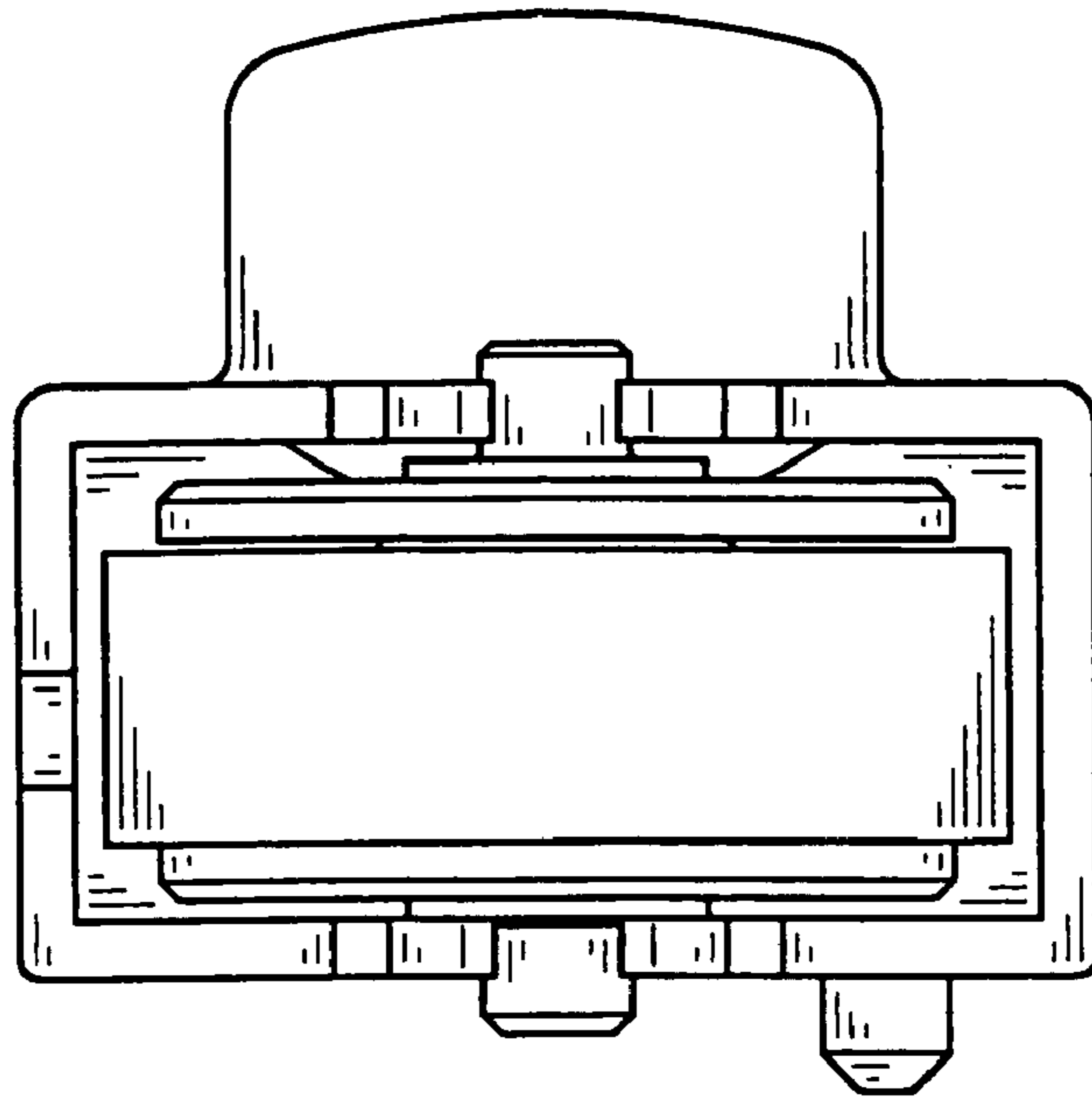


FIG. 2

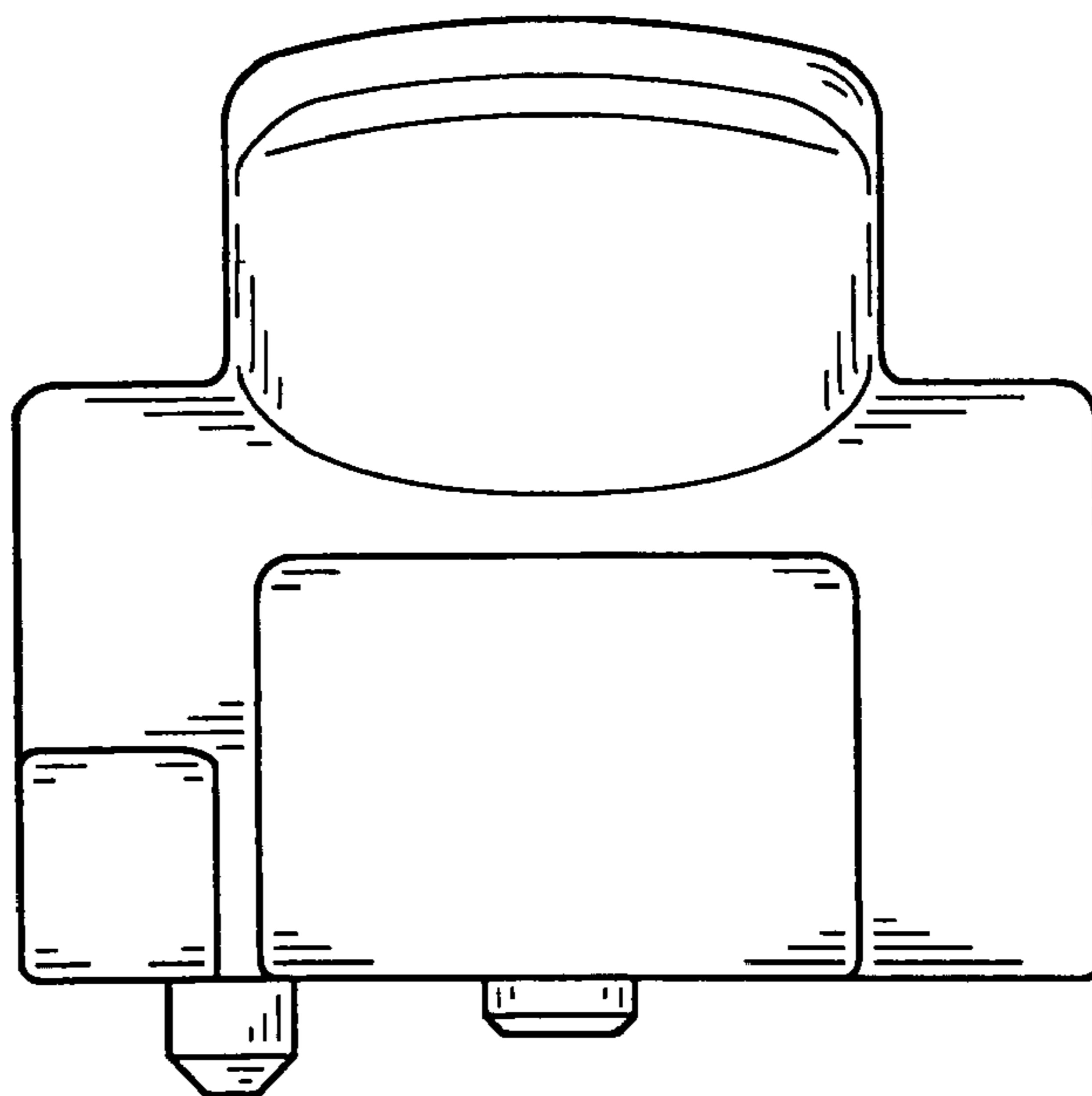


FIG. 3

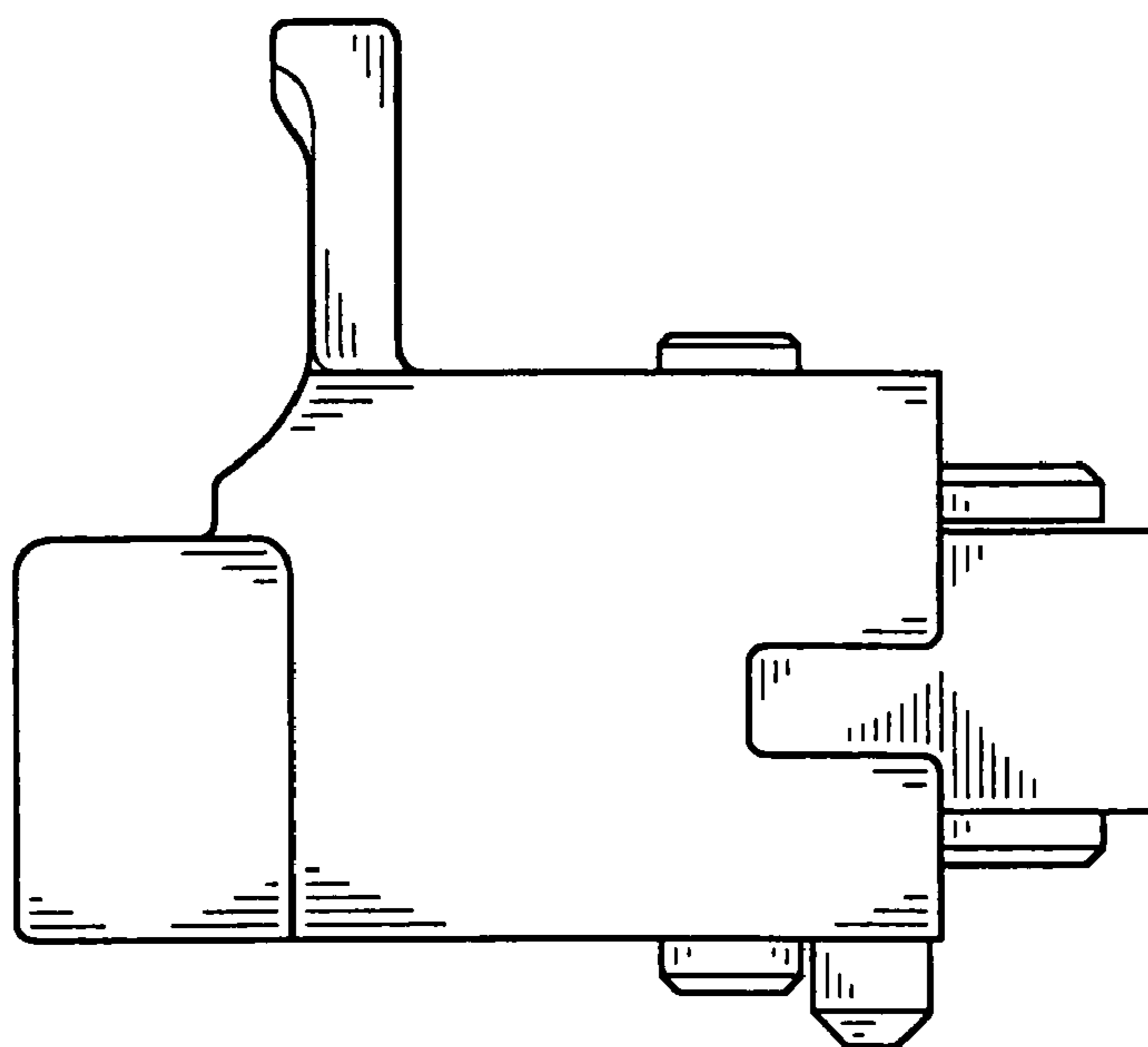


FIG. 4

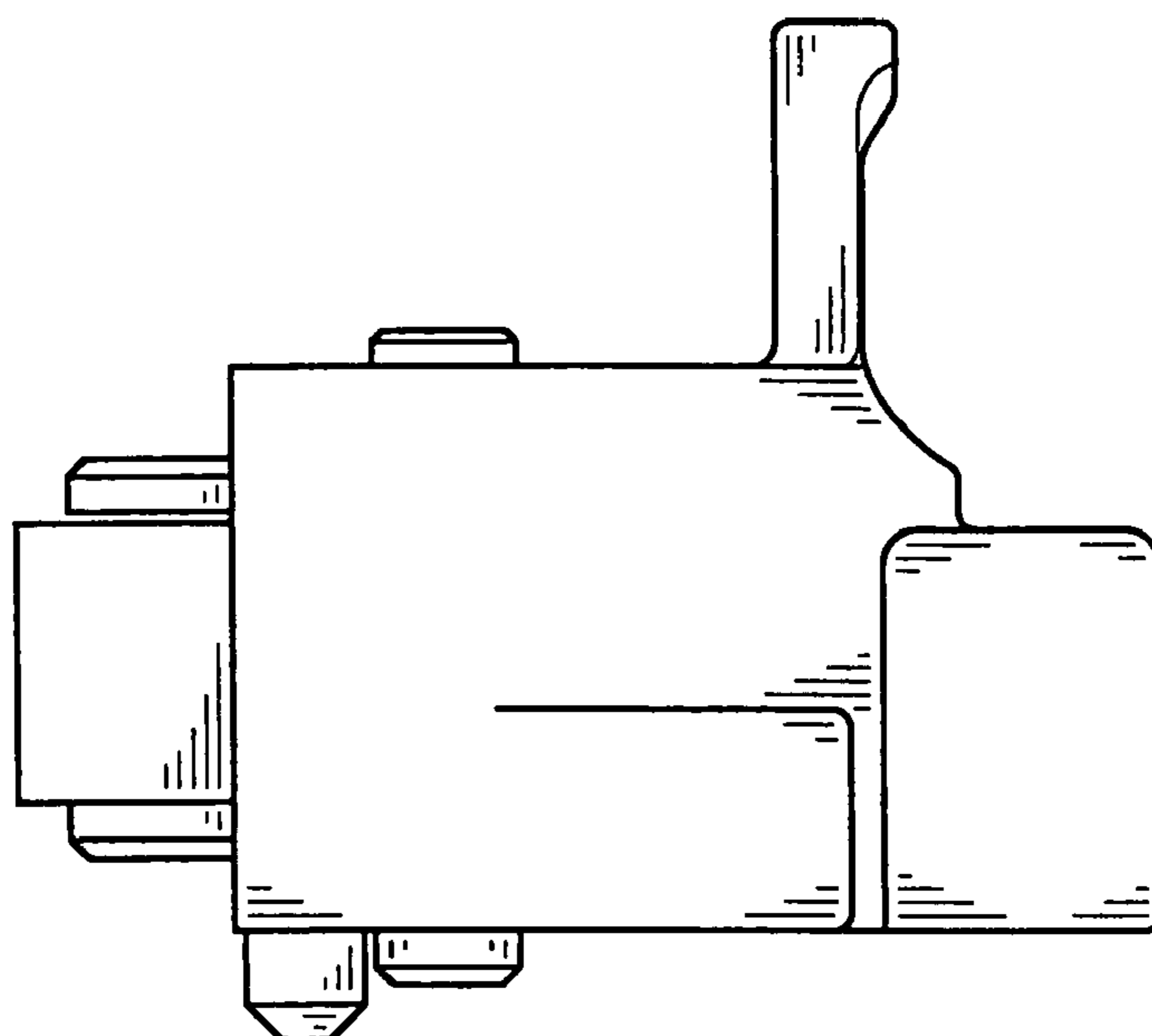


FIG. 5

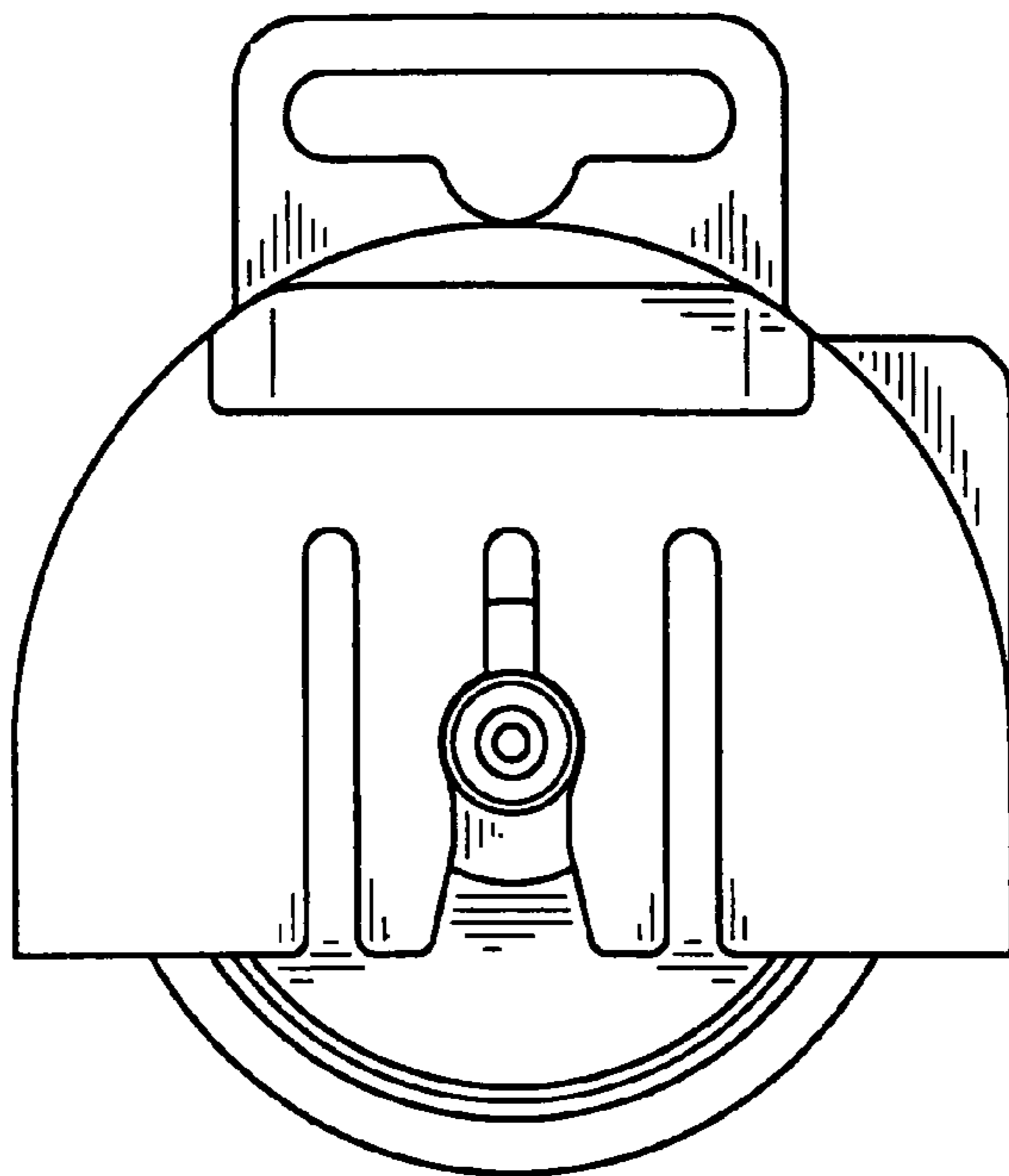


FIG. 6

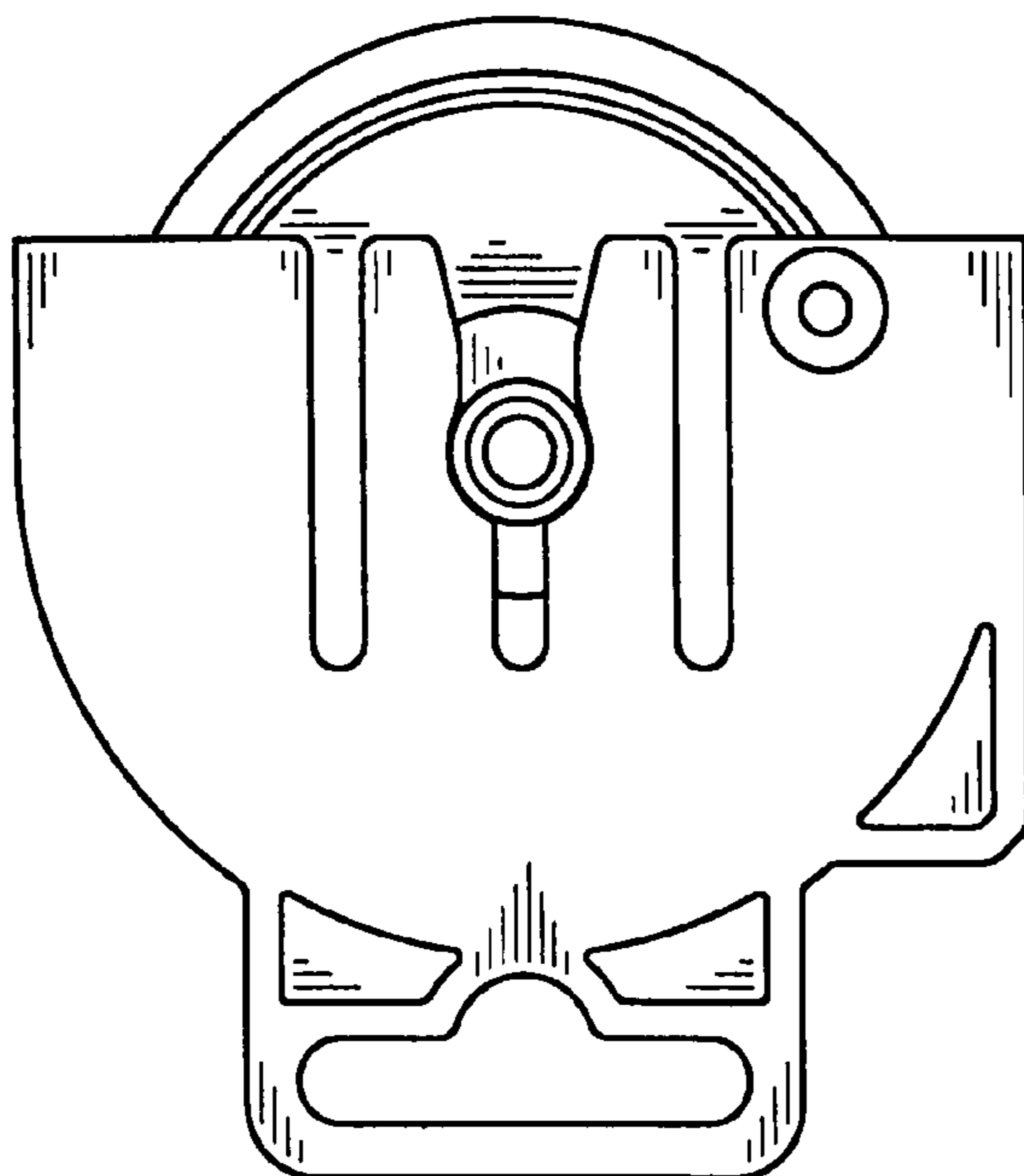


FIG. 7

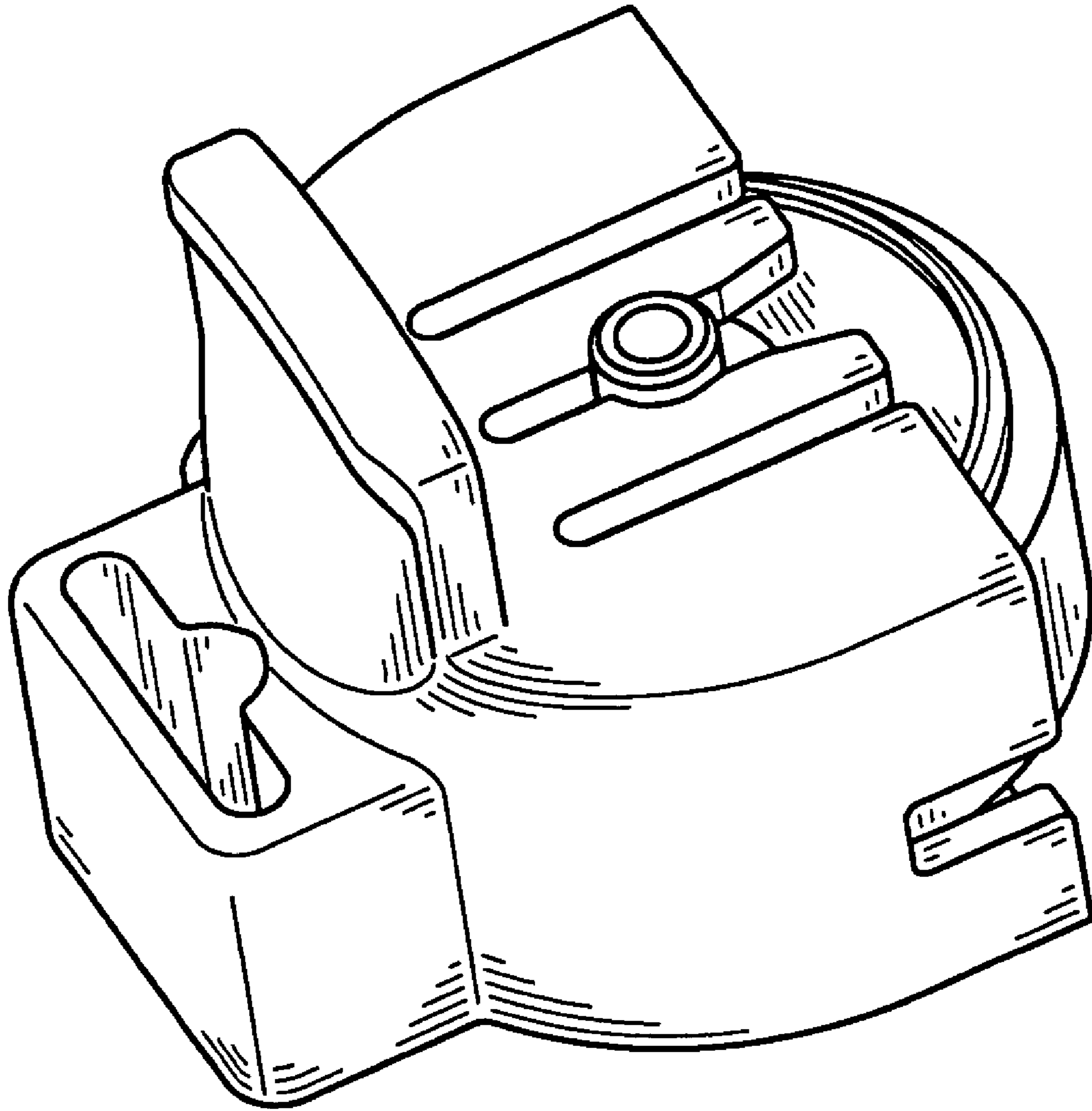


FIG. 8

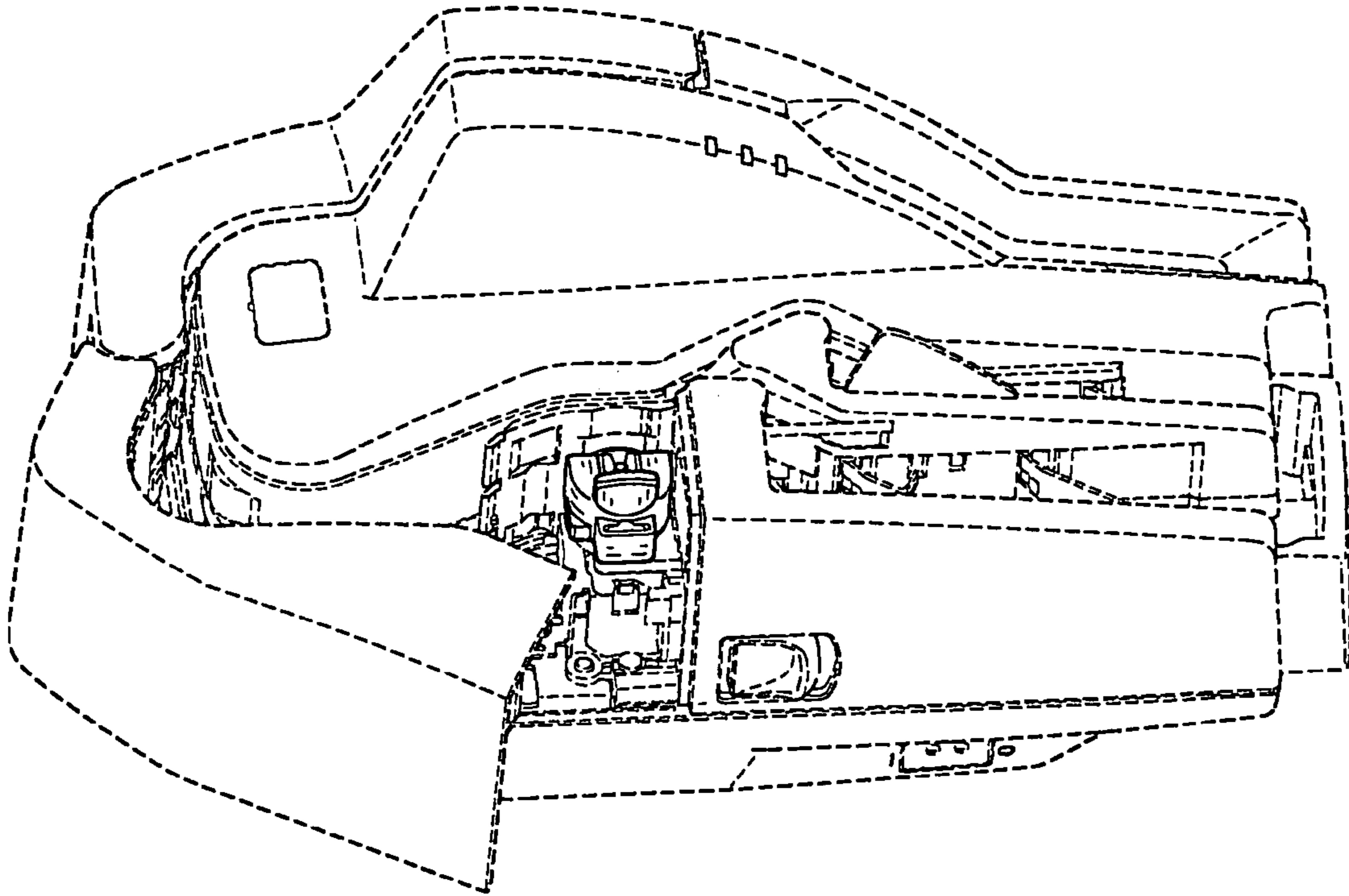


FIG. 9