



US00D584766S

(12) **United States Design Patent**  
**Tani**

(10) **Patent No.:** **US D584,766 S**  
(45) **Date of Patent:** **\*\* Jan. 13, 2009**

(54) **MULTI-FUNCTION PRINTER**  
(75) Inventor: **Atsushi Tani**, Kadoma (JP)  
(73) Assignee: **Panasonic Corporation**, Osaka (JP)  
(\*\*) Term: **14 Years**  
(21) Appl. No.: **29/298,520**  
(22) Filed: **Dec. 6, 2007**  
(51) **LOC (9) Cl.** ..... **14-02**  
(52) **U.S. Cl.** ..... **D18/55**  
(58) **Field of Classification Search** ..... D18/36-39,  
D18/50, 54, 54.1, 55; D14/420-425, 462-470;  
400/613, 613.1-613.4, 690.1-690.4, 691-694  
See application file for complete search history.

D534,578 S 1/2007 Katayama et al.  
D534,947 S 1/2007 Gant et al.  
D536,372 S 2/2007 Lim et al.  
D537,113 S 2/2007 Gant et al.  
D537,114 S 2/2007 Gant et al.  
D537,475 S 2/2007 Miller et al.  
D537,479 S 2/2007 Alfonso et al.  
D539,839 S 4/2007 Brinkly et al.  
D544,532 S 6/2007 Matsumoto et al.  
D545,357 S 6/2007 Hattori et al.  
D548,774 S 8/2007 Ishio et al.  
D548,776 S 8/2007 Egami et al.  
D549,769 S 8/2007 Kawamura et al.  
D550,279 S \* 9/2007 Tani ..... D18/50  
D551,700 S 9/2007 Park et al.  
D561,824 S \* 2/2008 Park et al. .... D18/55  
D574,886 S \* 8/2008 Mase et al. .... D18/55  
D575,330 S \* 8/2008 Egami et al. .... D18/55  
D576,203 S \* 9/2008 Laidlaw et al. .... D18/55

(56) **References Cited**  
U.S. PATENT DOCUMENTS

D267,948 S 2/1983 Kojima et al.  
D313,798 S 1/1991 Morozumi  
D329,870 S 9/1992 Hanasaki et al.  
D331,069 S 11/1992 Hanasaki et al.  
D344,939 S 3/1994 Kashiwabara et al.  
D406,161 S 2/1999 Yoshida et al.  
D428,049 S 7/2000 Imai  
D451,124 S 11/2001 Isomoto  
D458,298 S 6/2002 Katsuyama et al.  
D473,587 S 4/2003 Agata et al.  
D474,233 S 5/2003 Isomoto  
D491,219 S 6/2004 Shimamura  
D493,817 S 8/2004 Yoshida et al.  
D502,500 S 3/2005 Hoshiya et al.  
D516,081 S 2/2006 Takimoto  
D526,351 S 8/2006 Yamamoto et al.  
D528,155 S 9/2006 Katayama  
D529,951 S 10/2006 Katayama et al.  
D531,175 S 10/2006 Moskaluk et al.  
D531,663 S 11/2006 Senda et al.  
D532,449 S 11/2006 Tjin Wong Joe et al.  
D532,450 S 11/2006 Smith et al.  
D532,818 S 11/2006 Senda et al.  
D533,218 S 12/2006 Gant et al.  
D534,175 S \* 12/2006 Orihashi et al. .... D14/463

\* cited by examiner

*Primary Examiner*—Cathy Anne MacCormac  
(74) *Attorney, Agent, or Firm*—Brinks Hofer Gilson & Lione

(57) **CLAIM**

I claim the ornamental design for a multi-function printer, as shown and described.

**DESCRIPTION**

FIG. 1 is a top perspective view of a multi-function printer of the present invention;  
FIG. 2 is a front view thereof;  
FIG. 3 is a rear view thereof;  
FIG. 4 is a first side view thereof;  
FIG. 5 is a second side view thereof;  
FIG. 6 is a top view thereof; and,  
FIG. 7 is a bottom view thereof.

The broken line showing of multi-function printer is included for the purpose of illustrating environment and forms no part of the claimed design.

**1 Claim, 7 Drawing Sheets**

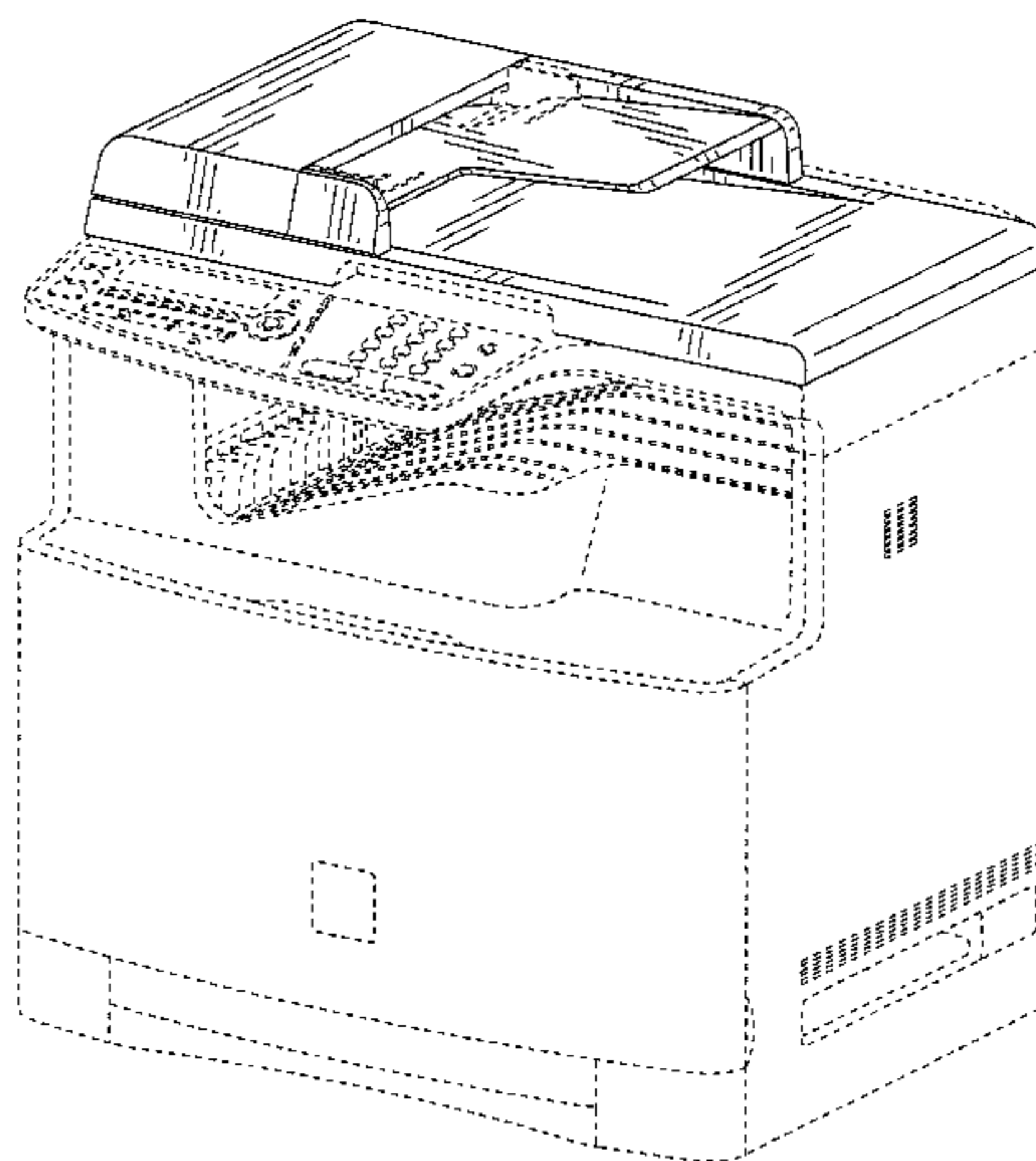


FIG.1

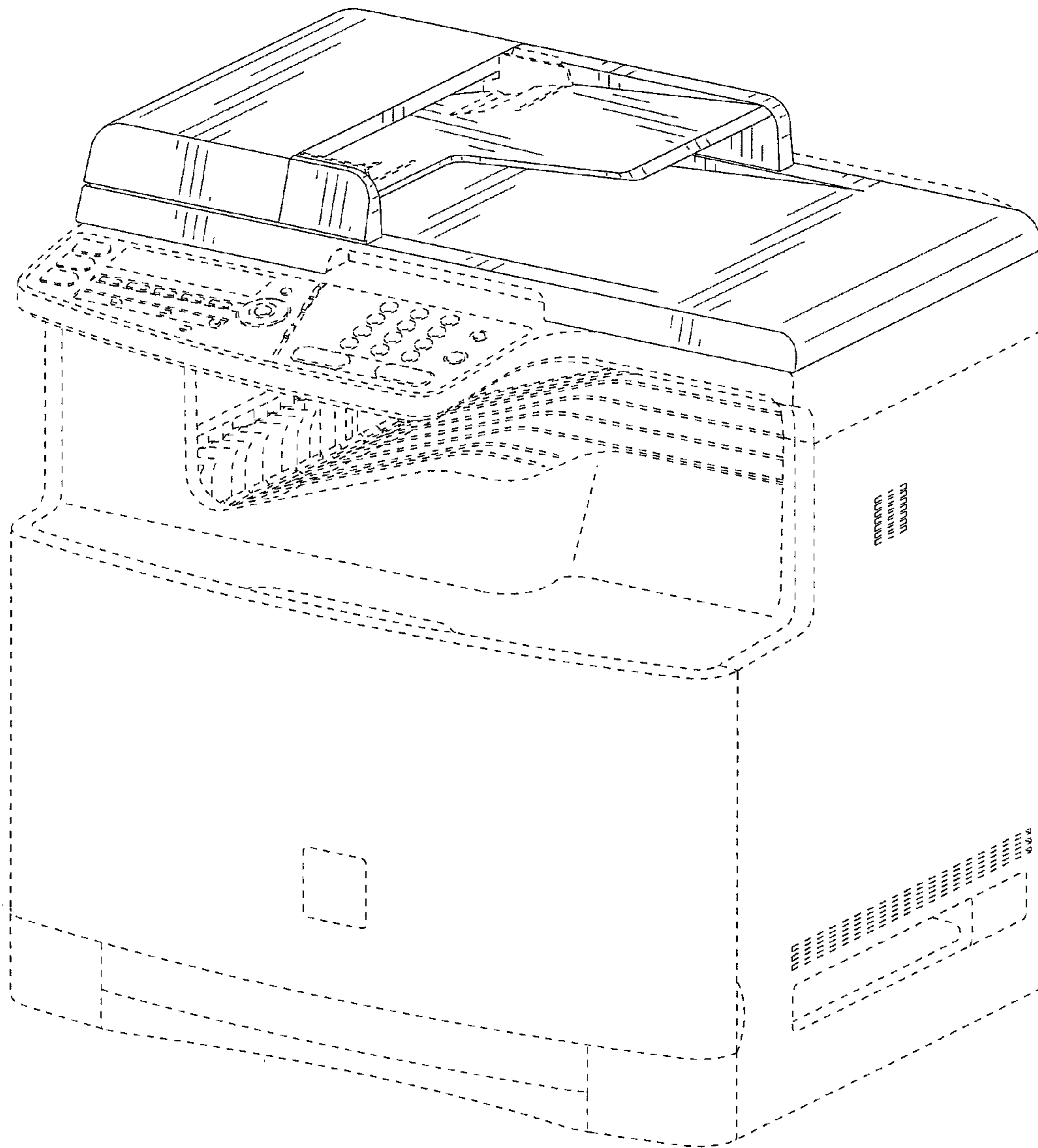


FIG.2

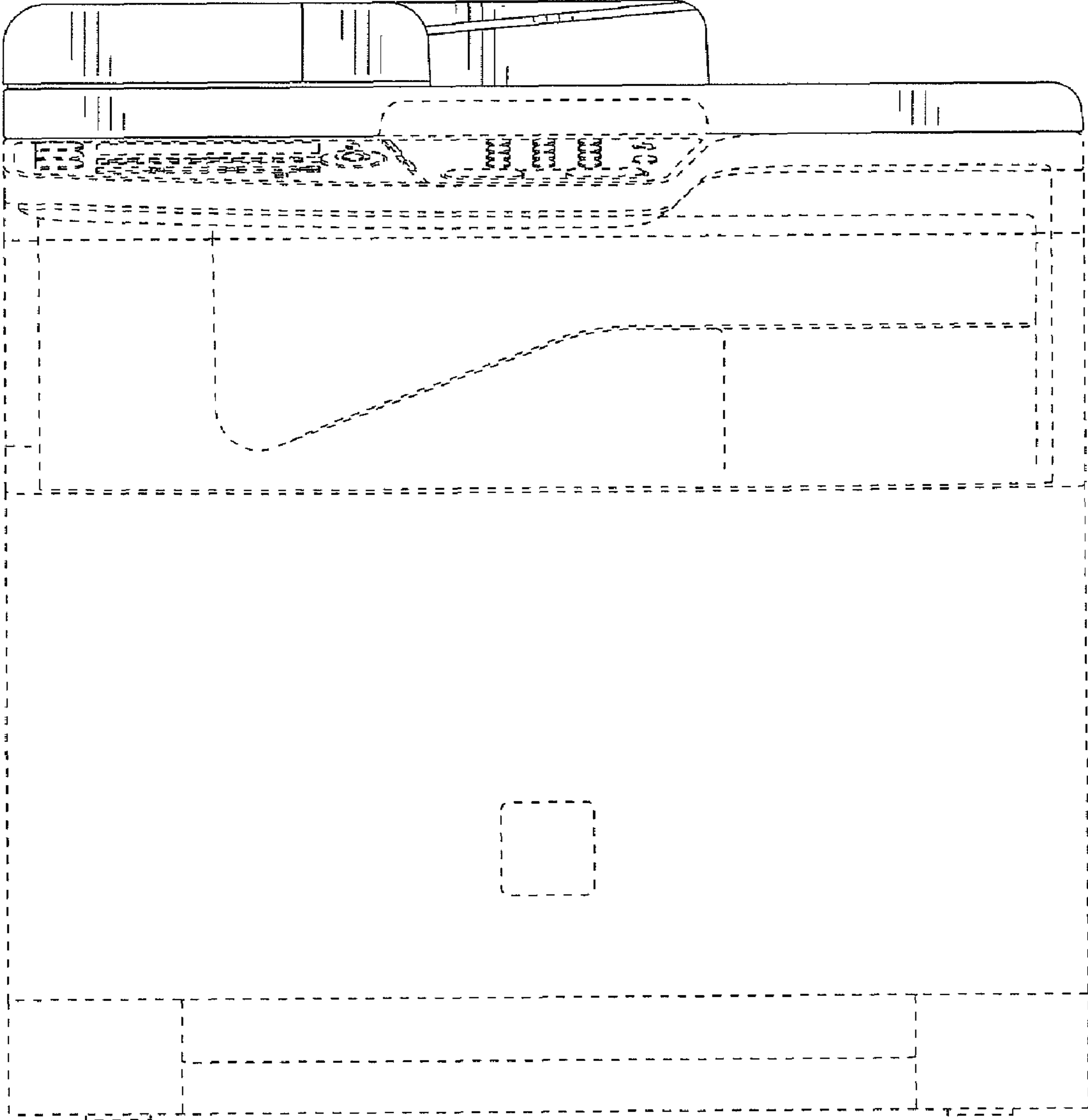


FIG.3

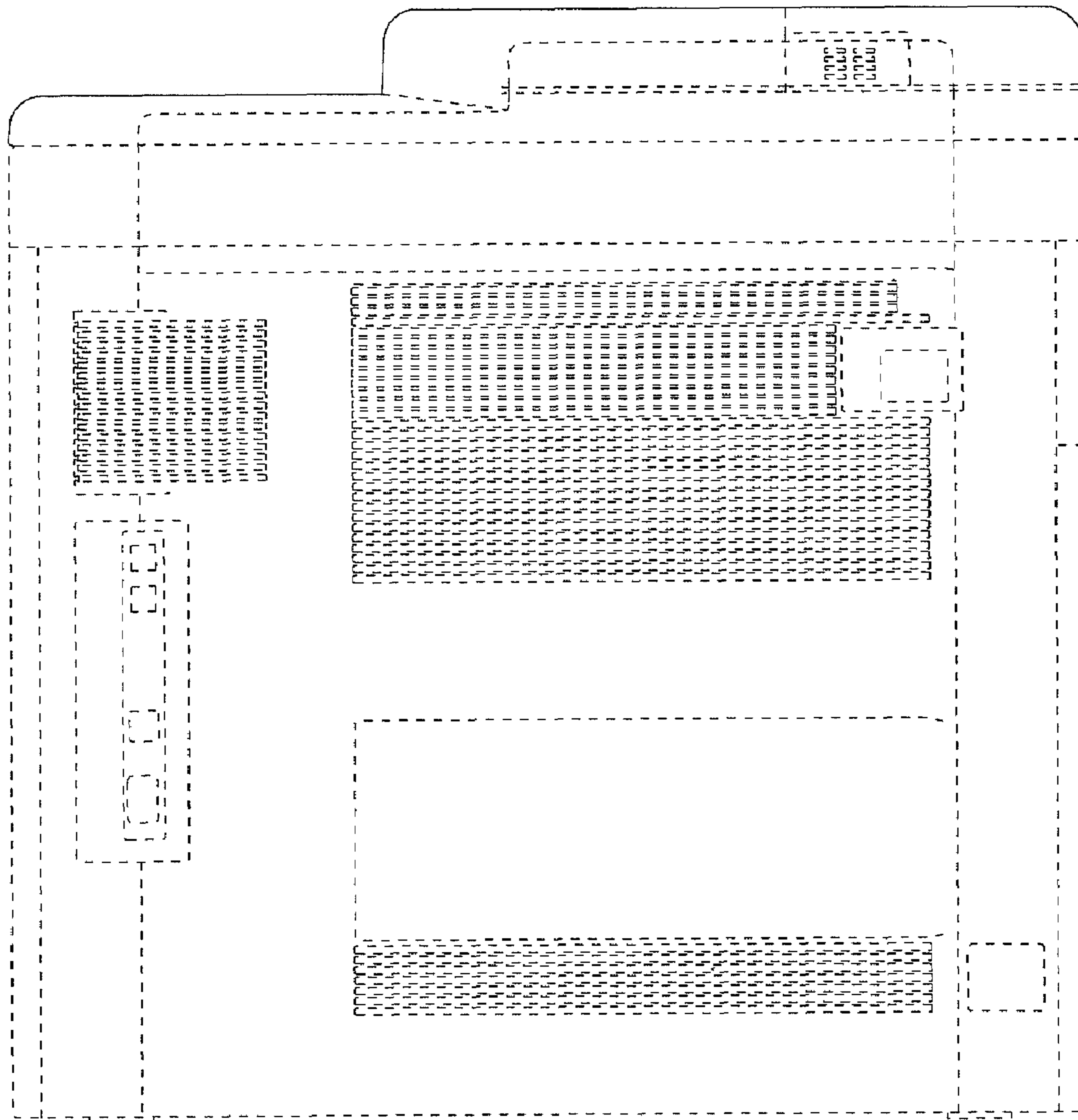


FIG.4

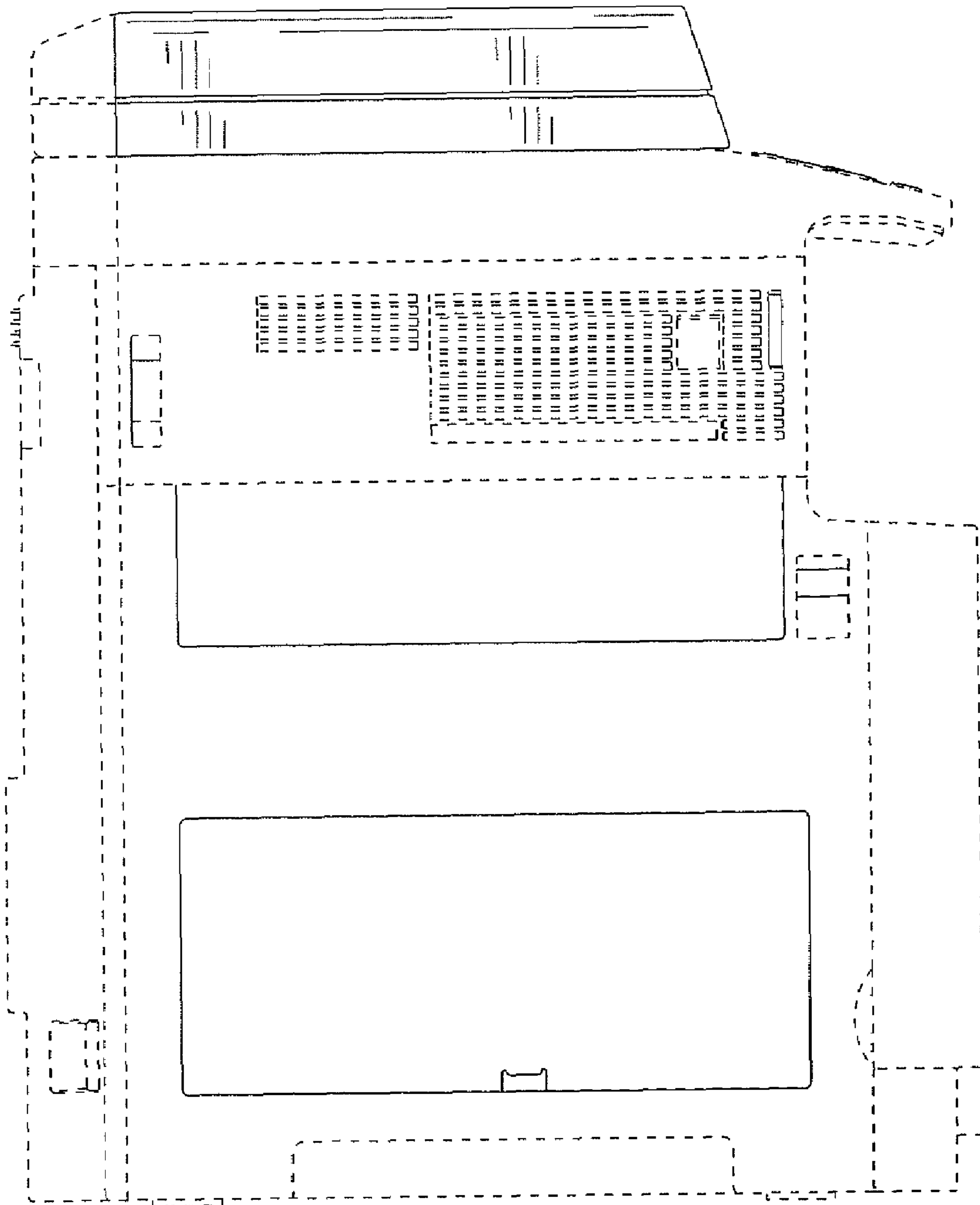




FIG.5

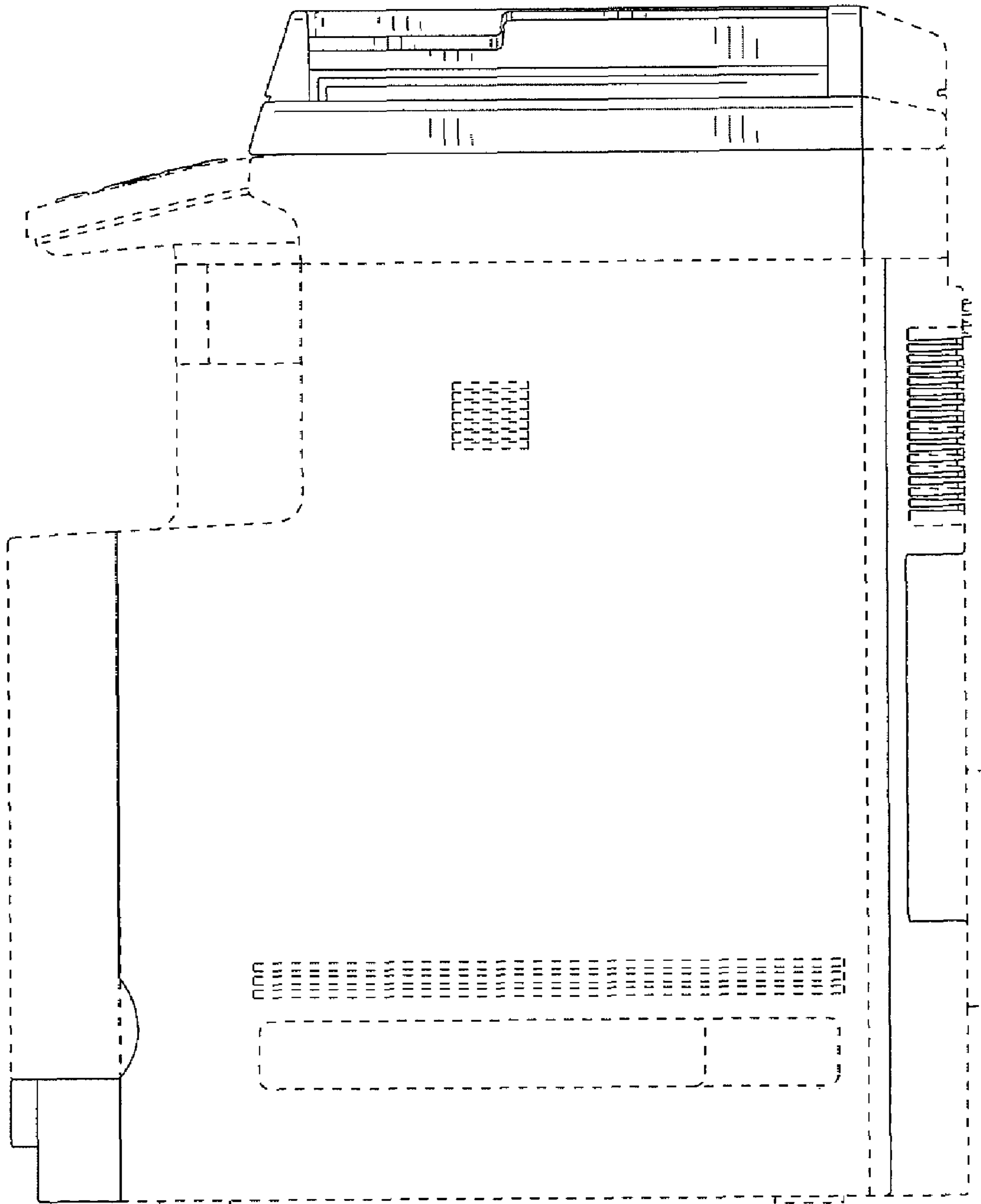


FIG.6

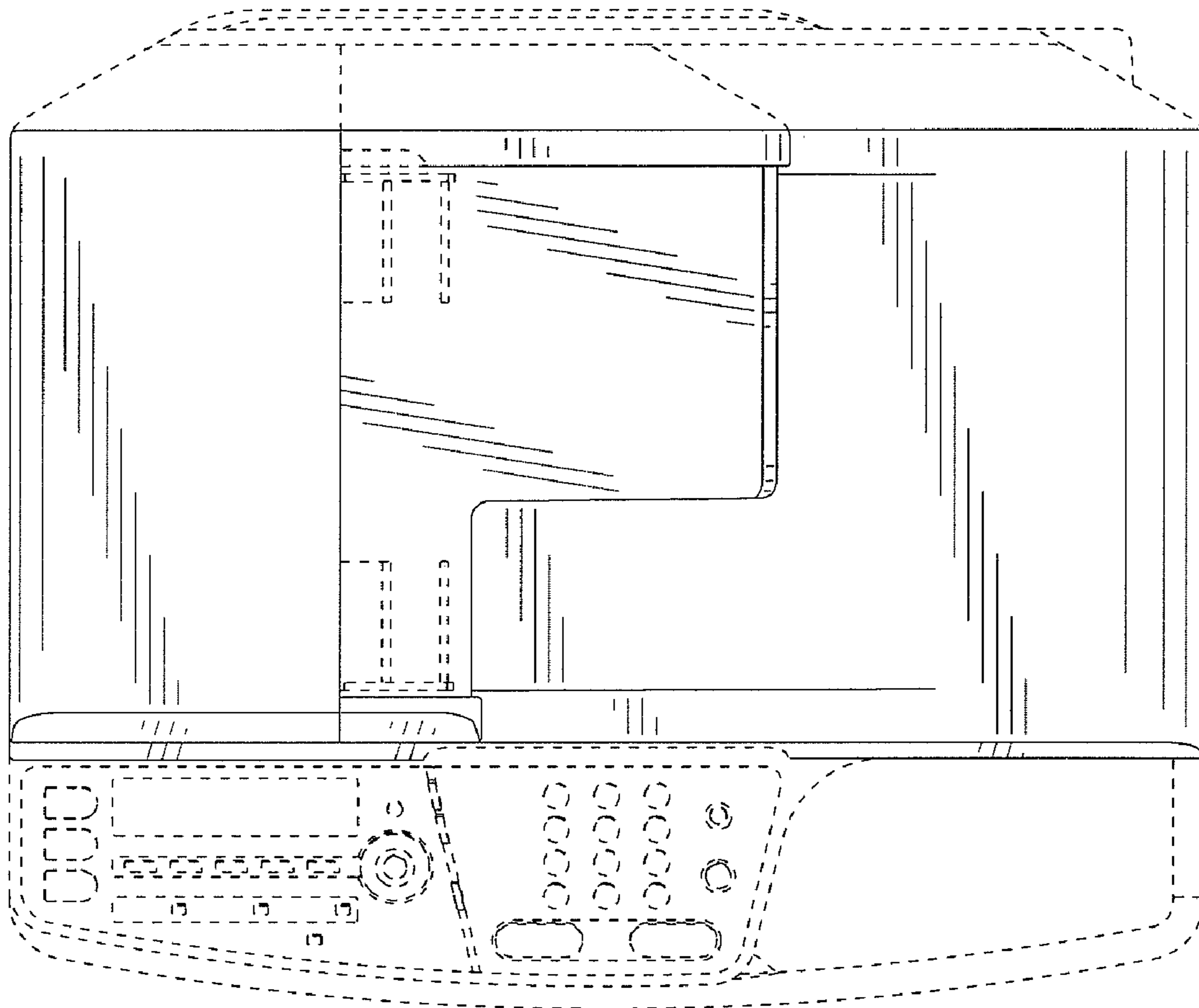


FIG.7

