



US00D584765S

(12) **United States Design Patent**
Park et al.

(10) **Patent No.:** **US D584,765 S**
(45) **Date of Patent:** **** Jan. 13, 2009**

(54) **DEVELOPMENT DEVICE FOR LASER PRINTER**

(75) Inventors: **Gyeong-Sun Park**, Seoul (KR); **Yun-Gi Hong**, Kyunggi-do (KR); **Bong-Uk Lim**, Kyunggi-do (KR)

(73) Assignee: **Samsung Electronics Co., Ltd.**, Suwon, Kyunggi-Do (KR)

(**) Term: **14 Years**

(21) Appl. No.: **29/292,077**

(22) Filed: **Sep. 27, 2007**

(51) **LOC (9) Cl.** **16-03**

(52) **U.S. Cl.** **D18/43**

(58) **Field of Classification Search** D14/471;
D18/12, 36-40, 43, 44, 46-49, 56; 222/DIG. 1;
347/197, 222; 399/24-28, 107-112, 119,
399/121, 122, 222-224

See application file for complete search history.

(56) **References Cited**

U.S. PATENT DOCUMENTS

| | | | | | |
|--------------|---|---------|------------------|-------|---------|
| D286,297 S | * | 10/1986 | Clowe et al. | | D18/43 |
| D359,068 S | * | 6/1995 | Nishimura et al. | | D18/43 |
| D362,677 S | * | 9/1995 | Ishibashi et al. | | D18/43 |
| D365,846 S | * | 1/1996 | Nishimura | | D18/43 |
| D378,830 S | | 4/1997 | Kim | | |
| D445,822 S | * | 7/2001 | Tosa et al. | | D18/40 |
| D460,980 S | * | 7/2002 | Matsuzaki et al. | | D18/40 |
| D479,729 S | * | 9/2003 | Kusanagi et al. | | D18/40 |
| 6,823,155 B2 | * | 11/2004 | Tsuda et al. | | 399/111 |
| D539,335 S | | 3/2007 | Jeon et al. | | |
| D544,528 S | | 6/2007 | Kim | | |
| D546,382 S | | 7/2007 | Noh et al. | | |
| D547,368 S | | 7/2007 | Han | | |
| D551,286 S | | 9/2007 | Han | | |

OTHER PUBLICATIONS

U.S. Appl. No. 29/261,034, Applicant: Jai-Il Choi filed Jun. 6, 2006 entitled Development Device for Laser Printer.

U.S. Appl. No. 29/270,054, Applicant: Se-Il Kwon, filed Dec. 13, 2006 entitled Cartridge for Laser Compound Device.

U.S. Appl. No. 29/270,051, Applicant: Jong-Hyun Park, filed Dec. 13, 2006 entitled Toner Cartridge.

U.S. Appl. No. 29/291,994, Applicant: Min-Su Han, filed Sep. 25, 2007 entitled Development Device for Laser Printer.

U.S. Appl. No. 29/292,095, Applicant: Gyeong-Sun Park, et al., filed Sep. 27, 2007 entitled Toner Cartridge.

U.S. Appl. No. 29/292,075, Applicant: Gyeong-Sun Park, et al., filed Sep. 27, 2007 entitled Toner Cartridge.

U.S. Appl. No. 29/292,073, Applicant: Gyeong-Sun Park, et al., filed Sep. 27, 2007 entitled Toner Cartridge.

* cited by examiner

Primary Examiner—Caron Veynar

Assistant Examiner—Garth Rademaker

(74) *Attorney, Agent, or Firm*—Flynn, Thiel, Boutell & Tanis, P.C.

(57) **CLAIM**

The ornamental design for a development device for laser printer, as shown and described.

DESCRIPTION

FIG. 1 is a top front perspective view of a development device for laser printer showing our new design;

FIG. 2 is a front elevational view thereof;

FIG. 3 is a rear elevational view thereof;

FIG. 4 is a left side elevational view thereof;

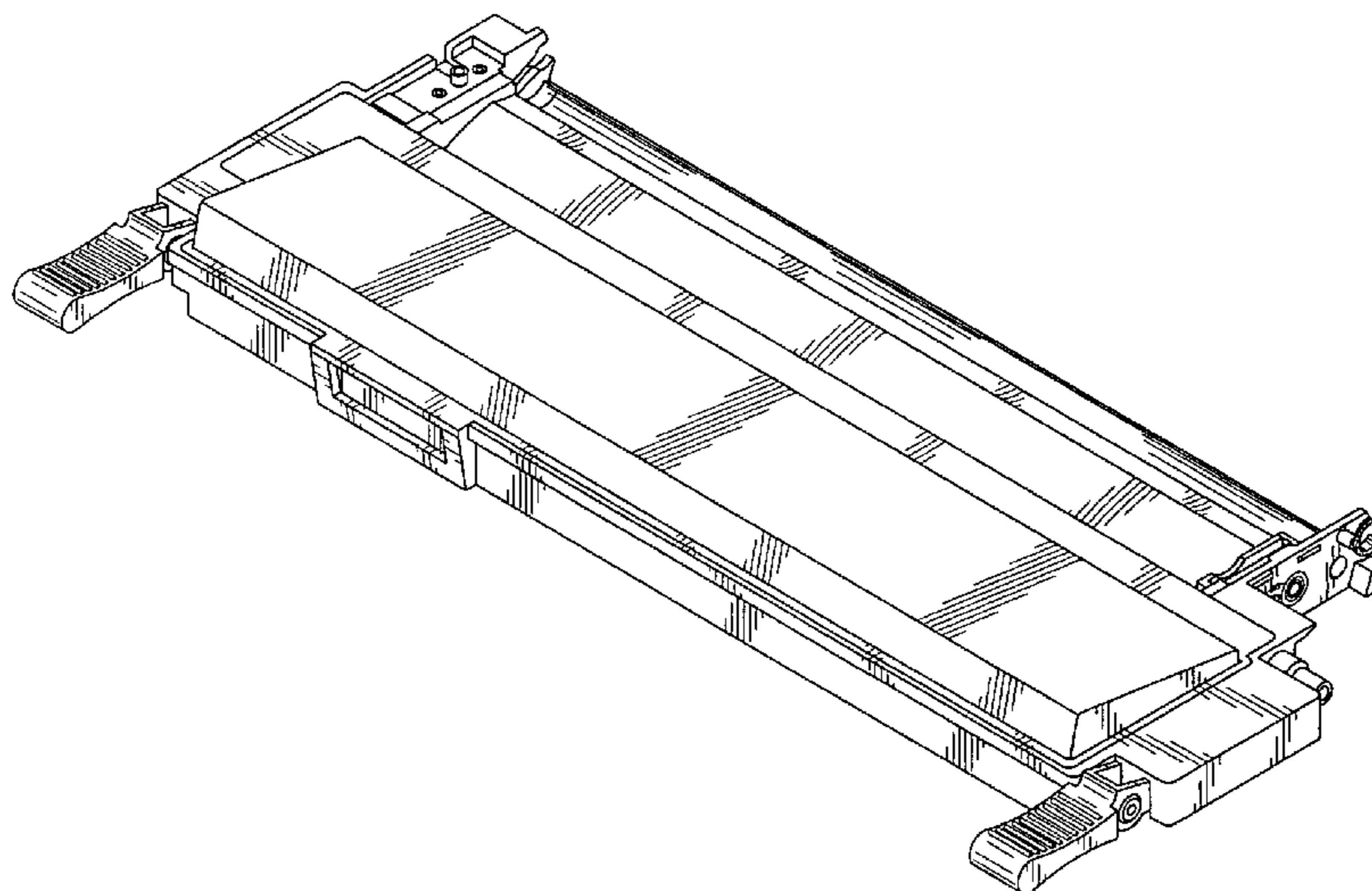
FIG. 5 is a right side elevational view thereof;

FIG. 6 is a top plan view thereof; and,

FIG. 7 is a bottom plan view thereof.

The broken lines depict environmental subject matter only and form no part of the claimed design.

1 Claim, 4 Drawing Sheets



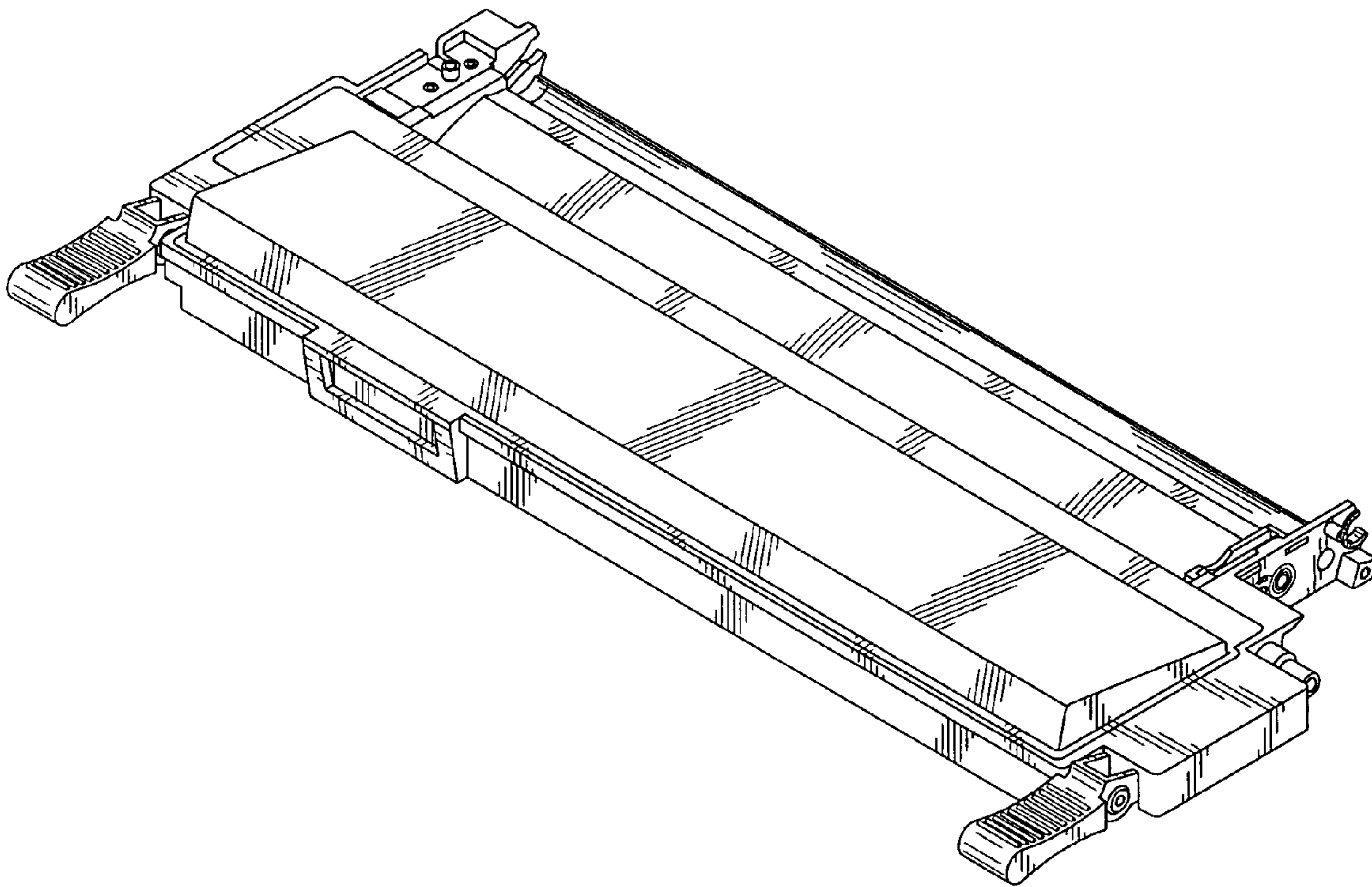


FIG. 1

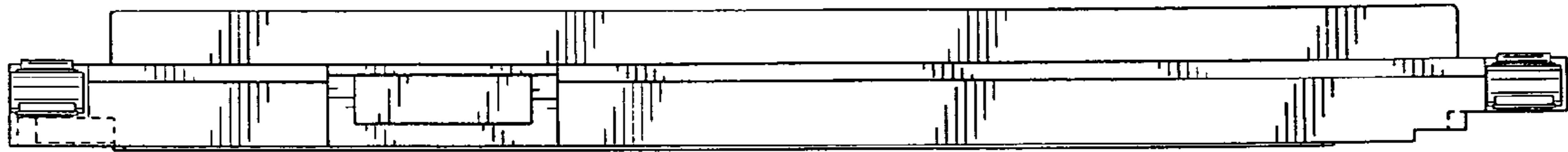


FIG. 2

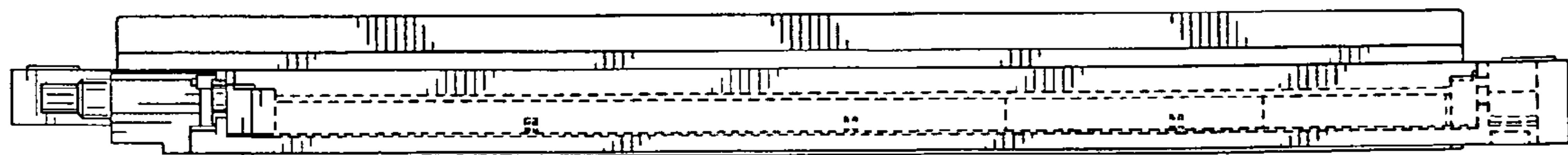


FIG. 3

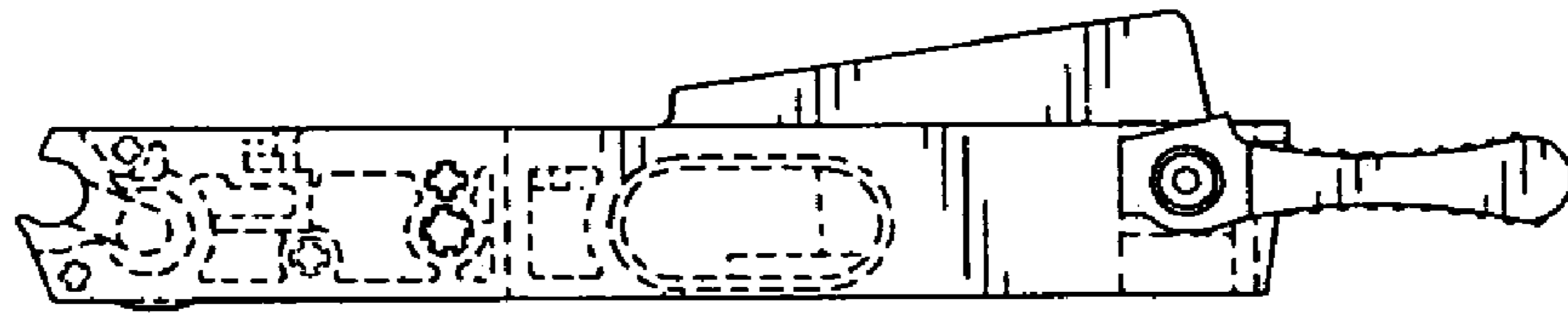


FIG. 4

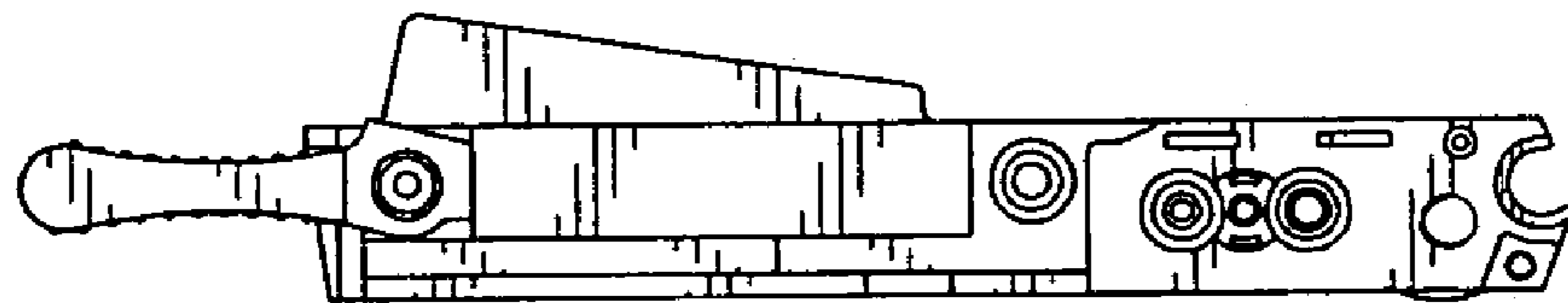


FIG. 5

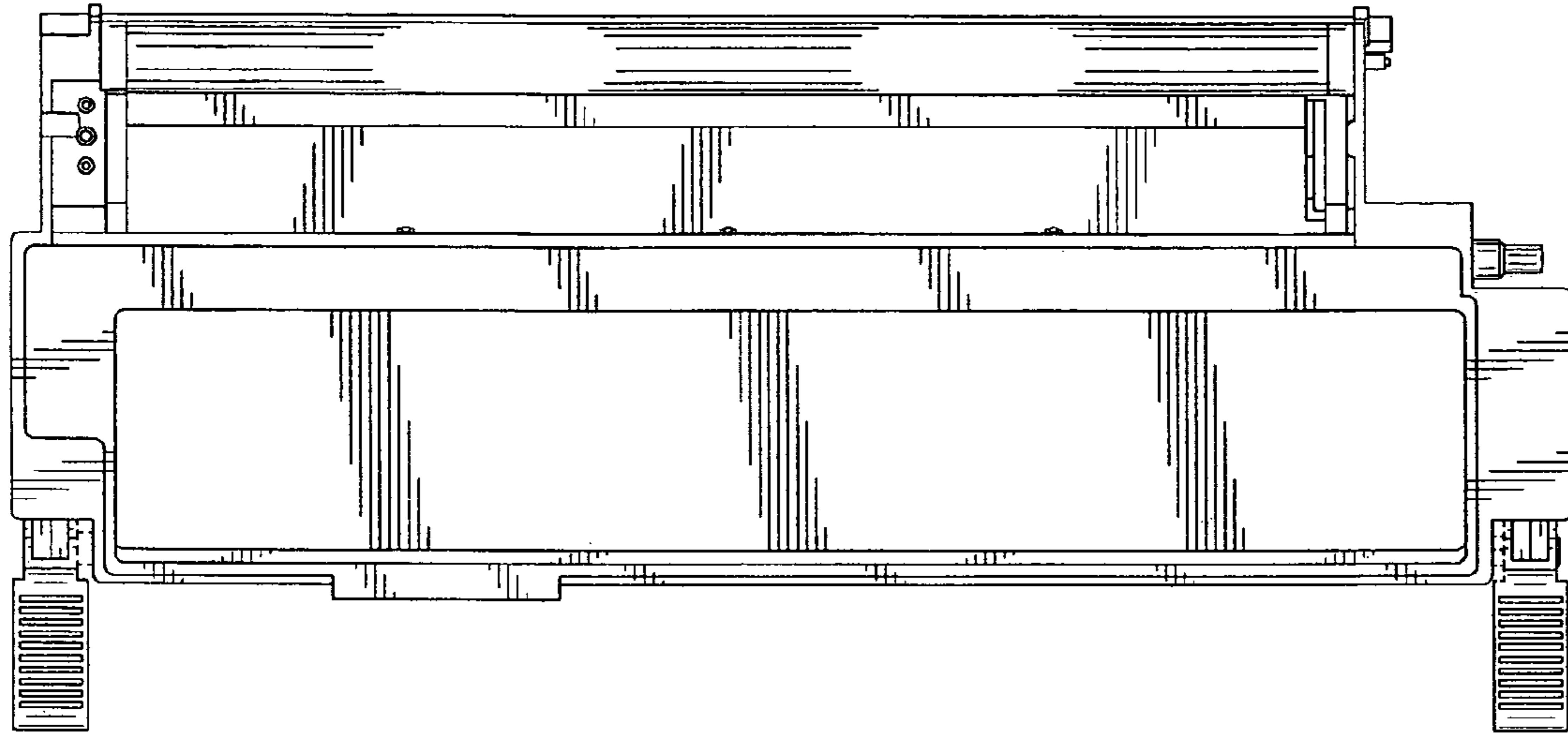


FIG. 6

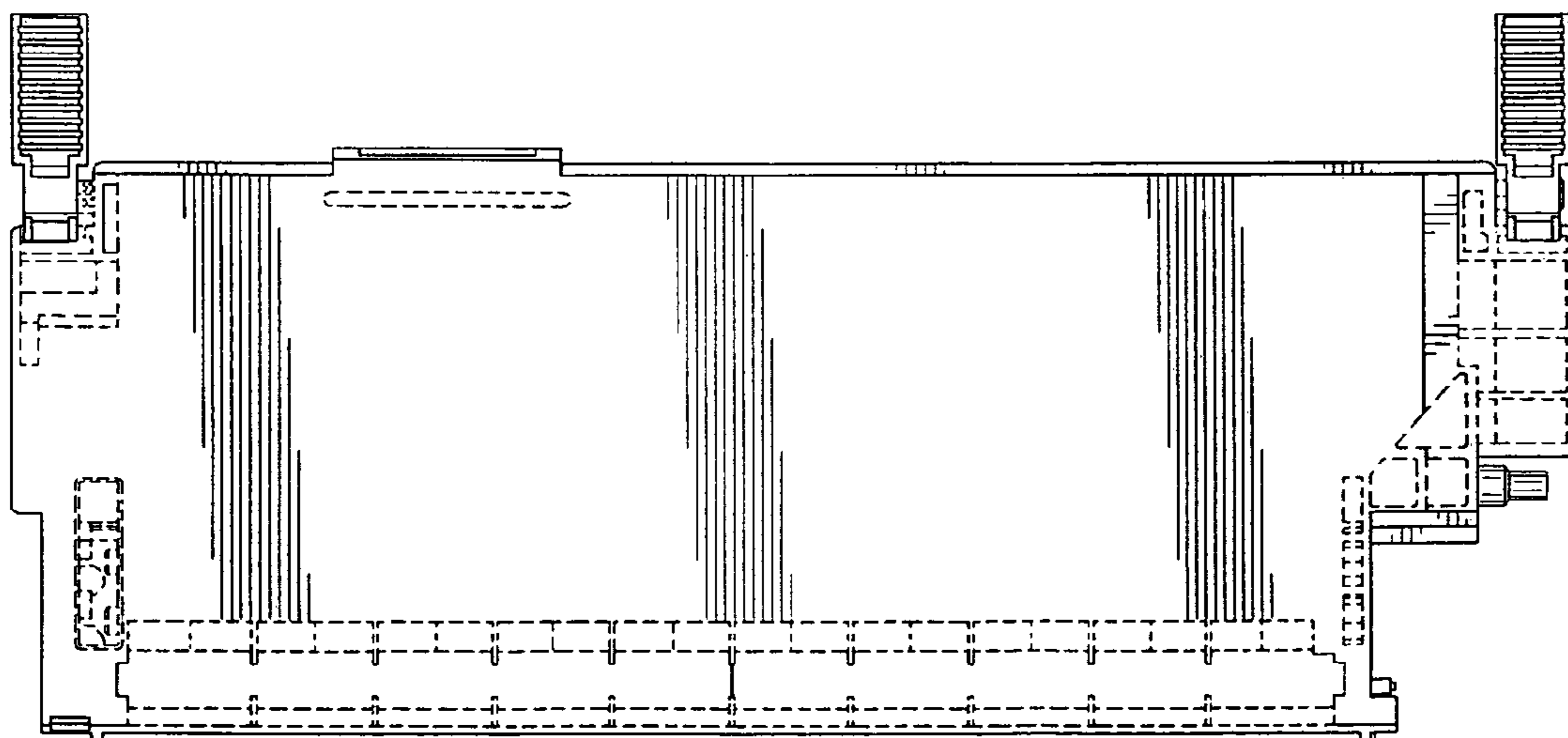


FIG. 7