



US00D584757S

(12) **United States Design Patent**  
**Oota**

(10) **Patent No.:** **US D584,757 S**  
(45) **Date of Patent:** **\*\* Jan. 13, 2009**

(54) **PROJECTOR**

D552,657 S 10/2007 Oota

(75) Inventor: **Kiyoshi Oota**, Tokyo (JP)

FOREIGN PATENT DOCUMENTS

(73) Assignee: **Sony Corporation**, Tokyo (JP)

JP D1203322 S 4/2004  
JP D1273231 S 6/2006  
JP D1300784 S 5/2007

(\*\*) Term: **14 Years**

\* cited by examiner

(21) Appl. No.: **29/300,053**

*Primary Examiner*—Adir Aronovich

(22) Filed: **Feb. 15, 2008**

(74) *Attorney, Agent, or Firm*—Rader, Fishman & Grauer, PLLC

(30) **Foreign Application Priority Data**

Dec. 21, 2007 (JP) ..... D2007-035101

(57) **CLAIM**

(51) **LOC (9) Cl.** ..... **16-02**

The ornamental design for a projector, as shown and described.

(52) **U.S. Cl.** ..... **D16/235**

(58) **Field of Classification Search** ..... D16/205,  
D16/208, 221, 225, 230, 235; D21/514;  
353/115, 119, 122

**DESCRIPTION**

See application file for complete search history.

FIG. 1 is a perspective view of a projector showing my new design;

FIG. 2 is a front elevational view thereof;

FIG. 3 is a left side elevational view thereof;

FIG. 4 is a right side elevational view thereof;

FIG. 5 is a top plan view thereof; and,

FIG. 6 is a bottom plan view thereof.

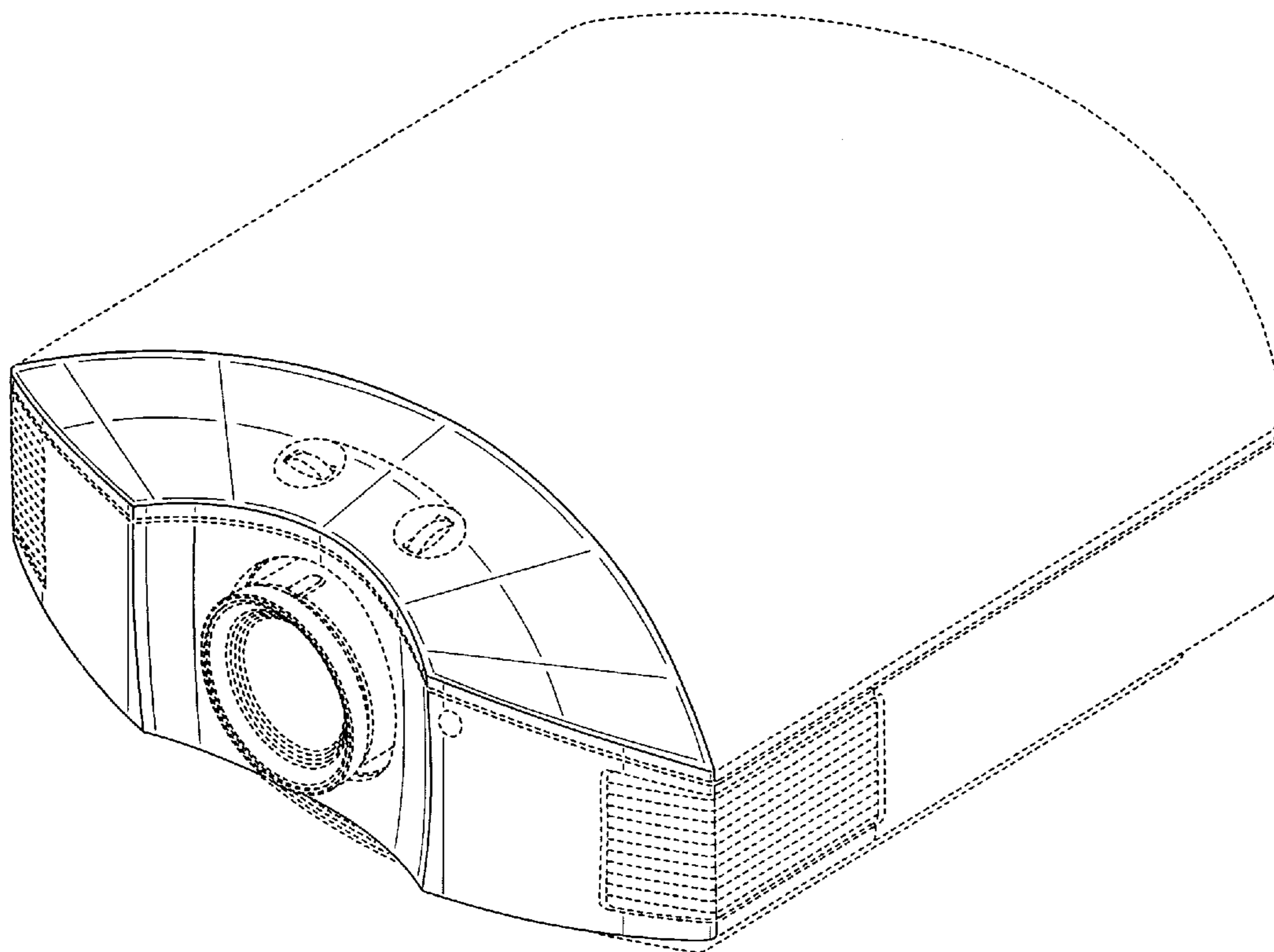
Portions that are shown in broken lines are illustrative purposes only and form no part of the claimed design.

(56) **References Cited**

U.S. PATENT DOCUMENTS

D436,981 S \* 1/2001 Kawasaki et al. .... D16/235  
D450,077 S \* 11/2001 Isono ..... D16/230  
D479,551 S \* 9/2003 Min et al. .... D16/225  
D492,339 S 6/2004 Niitsu  
D498,250 S \* 11/2004 Kawasaki et al. .... D16/235  
D515,127 S \* 2/2006 Schoenert et al. .... D16/230  
D547,352 S \* 7/2007 Tako ..... D16/230

**1 Claim, 6 Drawing Sheets**



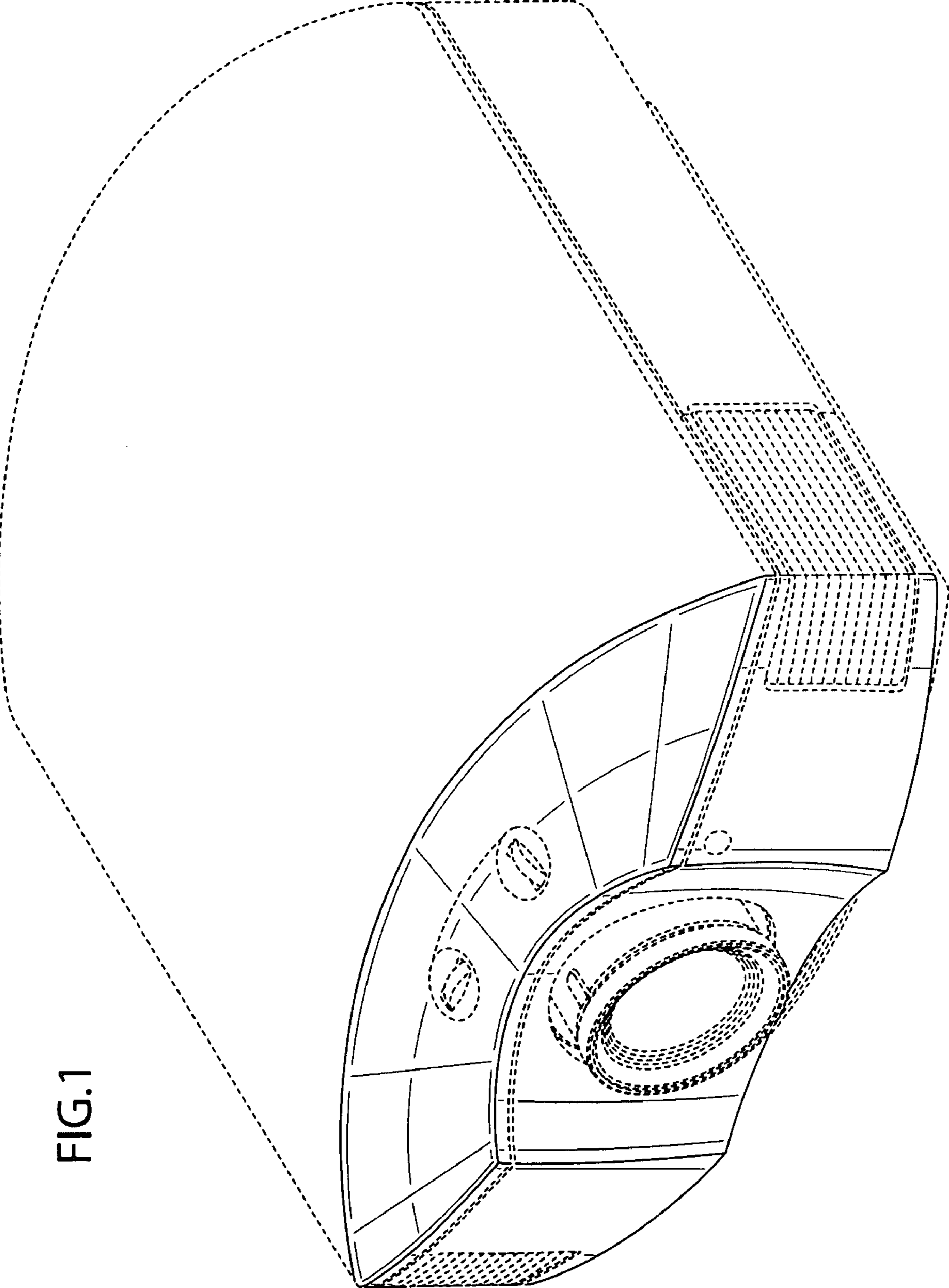


FIG.1

FIG.2

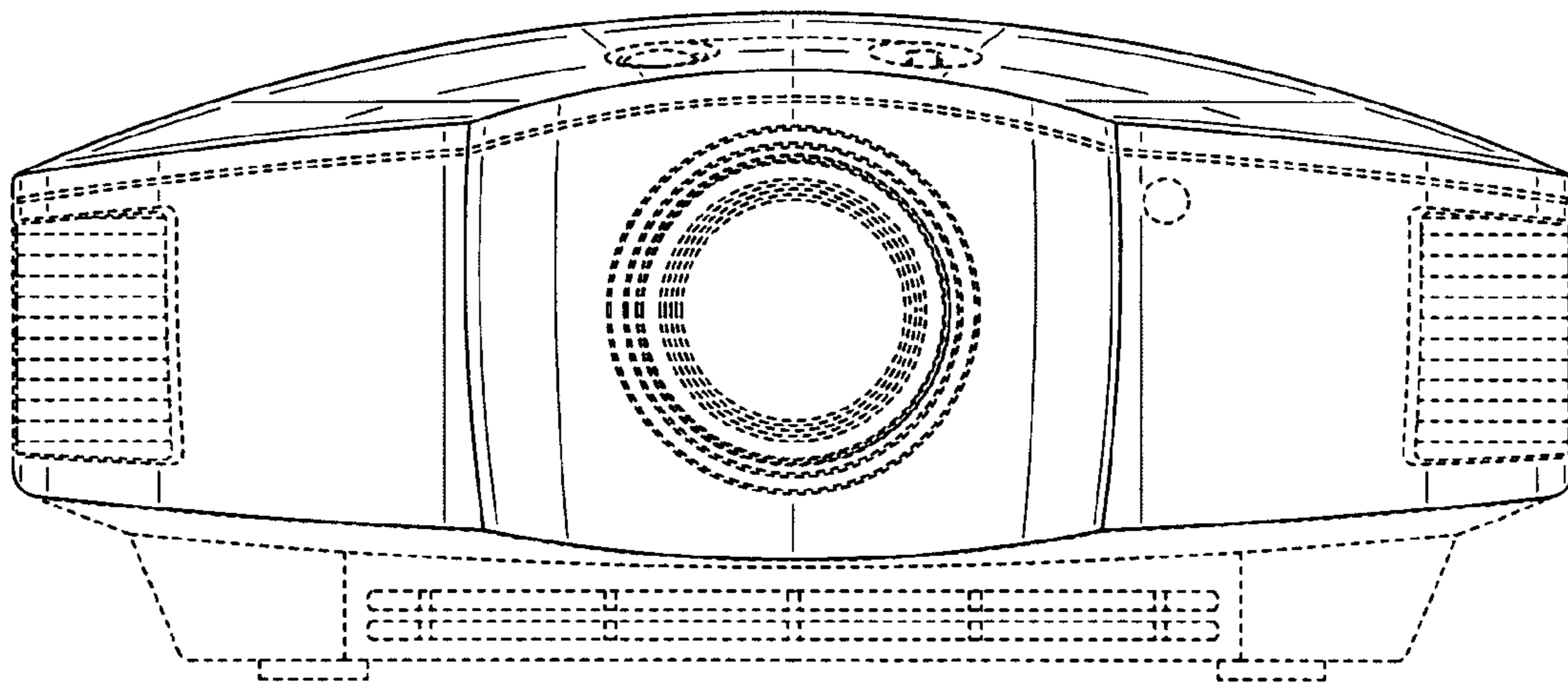


FIG.3

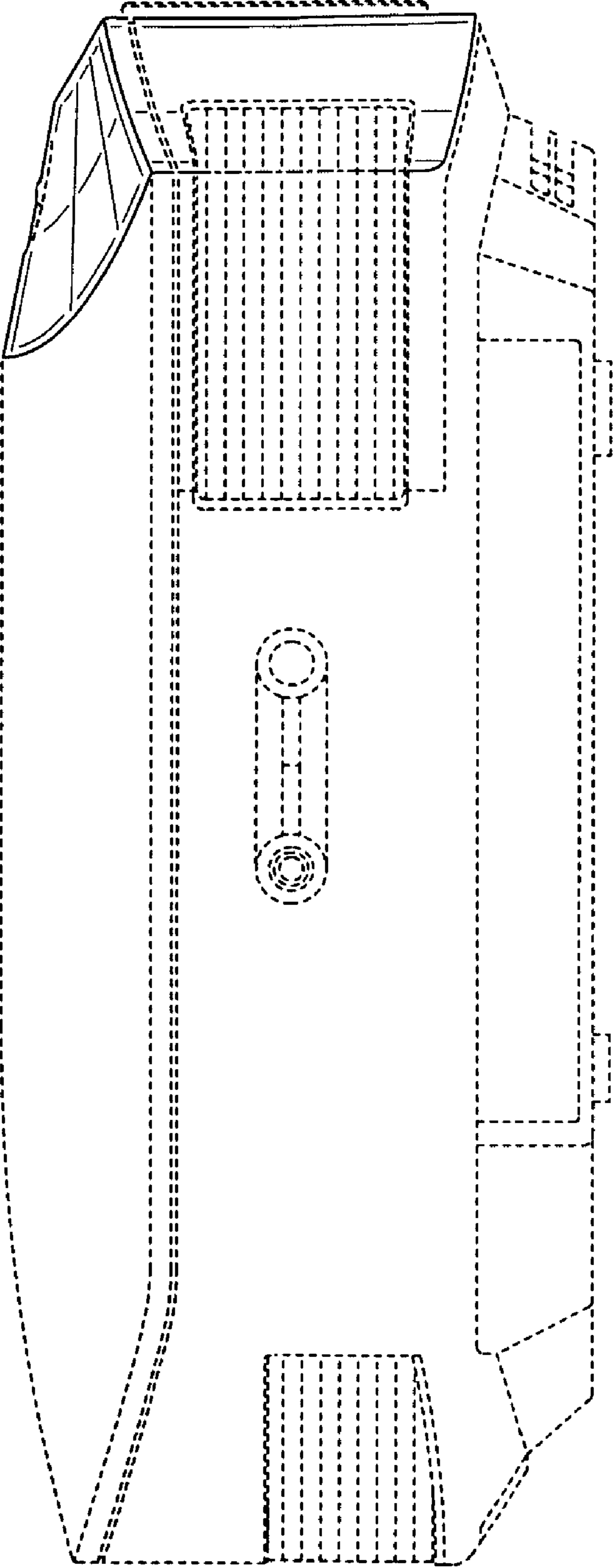


FIG.4

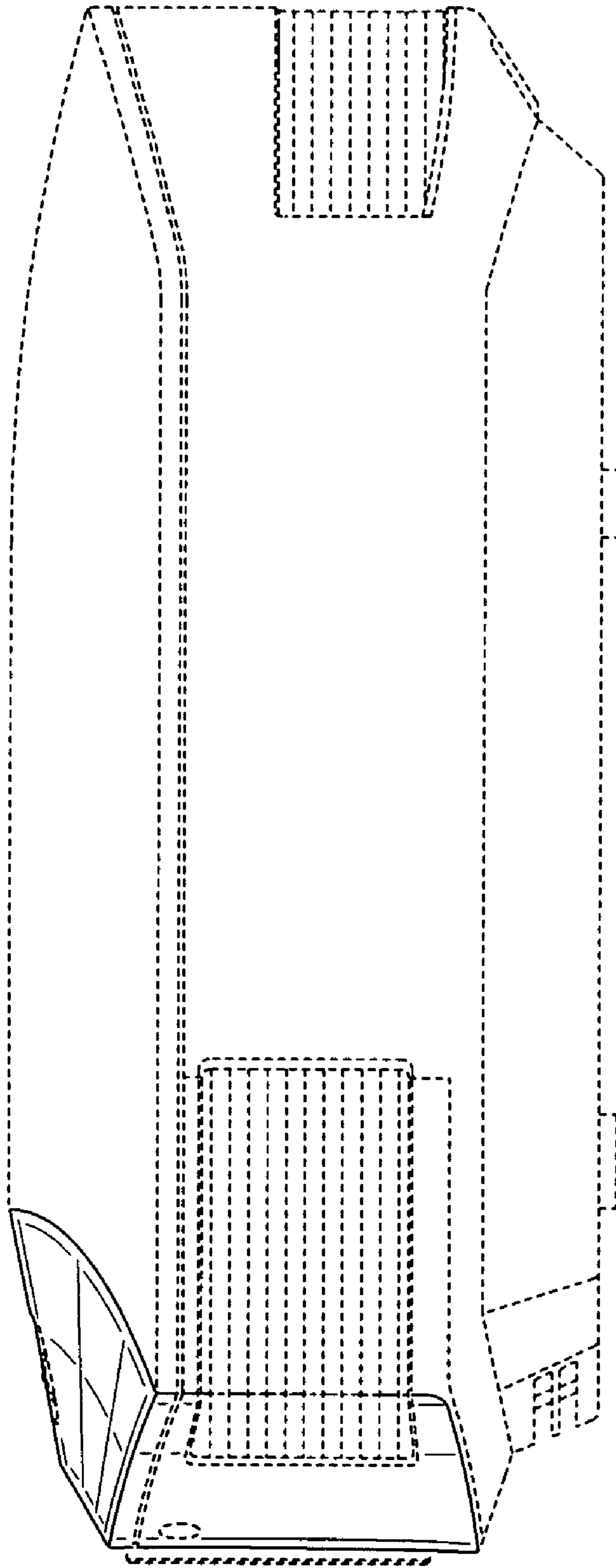


FIG.5

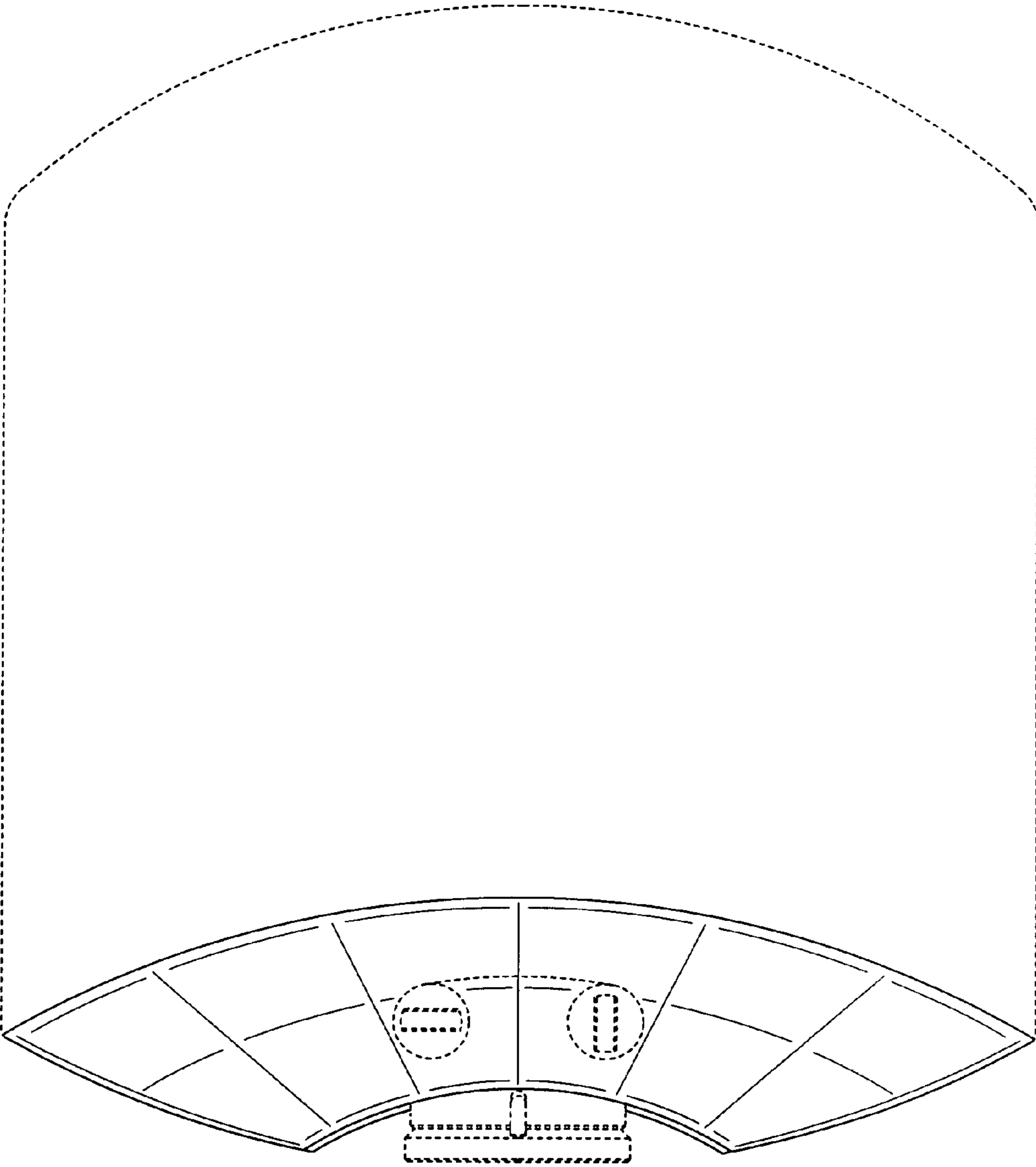


FIG.6

