



US00D584756S

(12) **United States Design Patent**
Yamakawa

(10) **Patent No.:** **US D584,756 S**
(45) **Date of Patent:** **** Jan. 13, 2009**

(54) **SURVEILLANCE CAMERA**

D556,236 S * 11/2007 Kim D16/203
D564,557 S * 3/2008 Yamamoto et al. D16/203

(75) Inventor: **Yasuki Yamakawa**, Kadoma (JP)

OTHER PUBLICATIONS

(73) Assignee: **Panasonic Corporation**, Osaka (JP)

JPO Prior Art Design No. HC16050425, "CV Color Camera System", May 4, 2004.

(**) Term: **14 Years**

* cited by examiner

(21) Appl. No.: **29/273,790**

Primary Examiner—Adir Aronovich

(22) Filed: **Mar. 13, 2007**

(74) *Attorney, Agent, or Firm*—Brinks Hofer Gilson & Lione

(30) **Foreign Application Priority Data**

(57) **CLAIM**

Sep. 13, 2006 (JP) 2006-024478

I claim the ornamental design for a surveillance camera, as shown and described.

(51) **LOC (9) Cl.** **16-01**

DESCRIPTION

(52) **U.S. Cl.** **D16/203**

(58) **Field of Classification Search** D16/200–204,
D16/218, 219; 348/143, 151, 373–376; 396/427,
396/535–541; D10/104, 106; D26/88–90
See application file for complete search history.

FIG. 1 is a perspective view of a surveillance camera of the present invention;

FIG. 2 is a front elevational view thereof;

FIG. 3 is a side elevational view thereof;

FIG. 4 is a side elevational view opposite of that shown in FIG. 3;

FIG. 5 is a top plan view thereof;

FIG. 6 is a bottom plan view thereof;

FIG. 7 is a rear elevational view thereof; and,

FIG. 8 is a cross-sectional view taken along the line of 8—8 of FIG. 2.

(56) **References Cited**

U.S. PATENT DOCUMENTS

D412,924 S * 8/1999 Hiraguchi D16/219
D416,273 S 11/1999 Yamakawa et al.
D473,888 S 4/2003 Jones et al.
6,715,940 B2 * 4/2004 Top et al. 396/427
D494,992 S * 8/2004 Seo D16/203
D497,927 S * 11/2004 Arbuckle et al. D16/203
D499,126 S 11/2004 Kato et al.
D513,028 S 12/2005 Maruyama

1 Claim, 4 Drawing Sheets

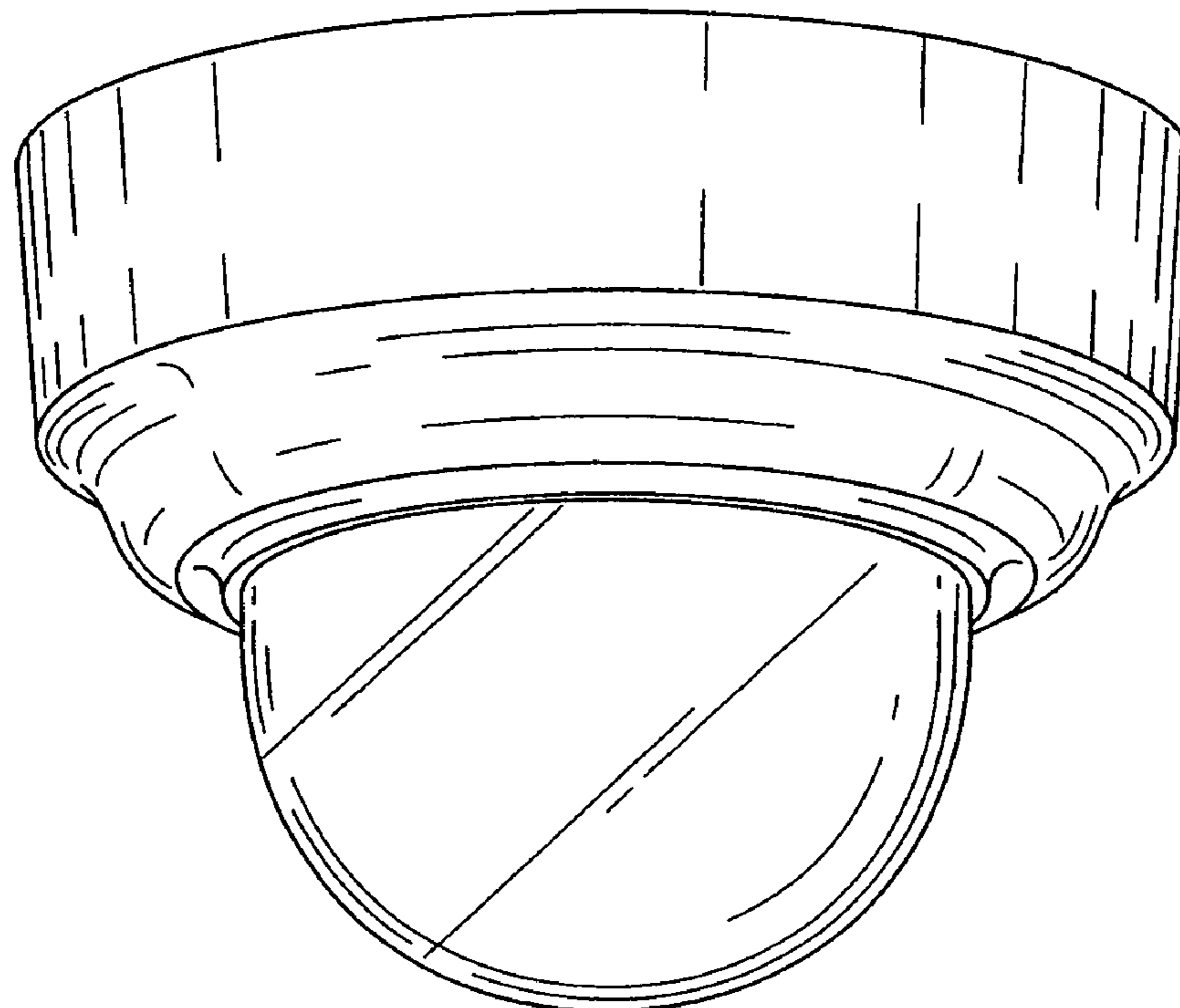


FIG.1

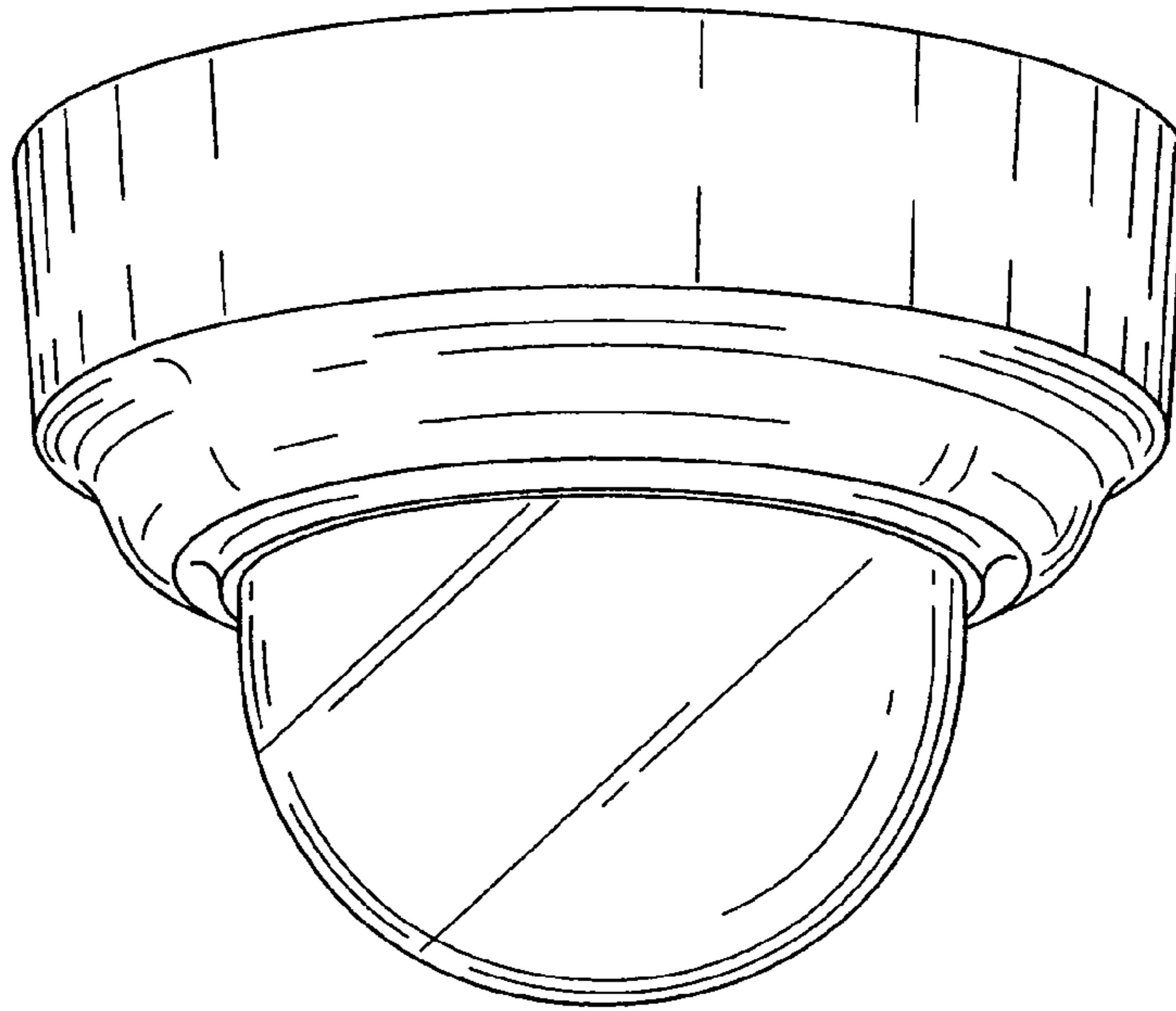


FIG.2

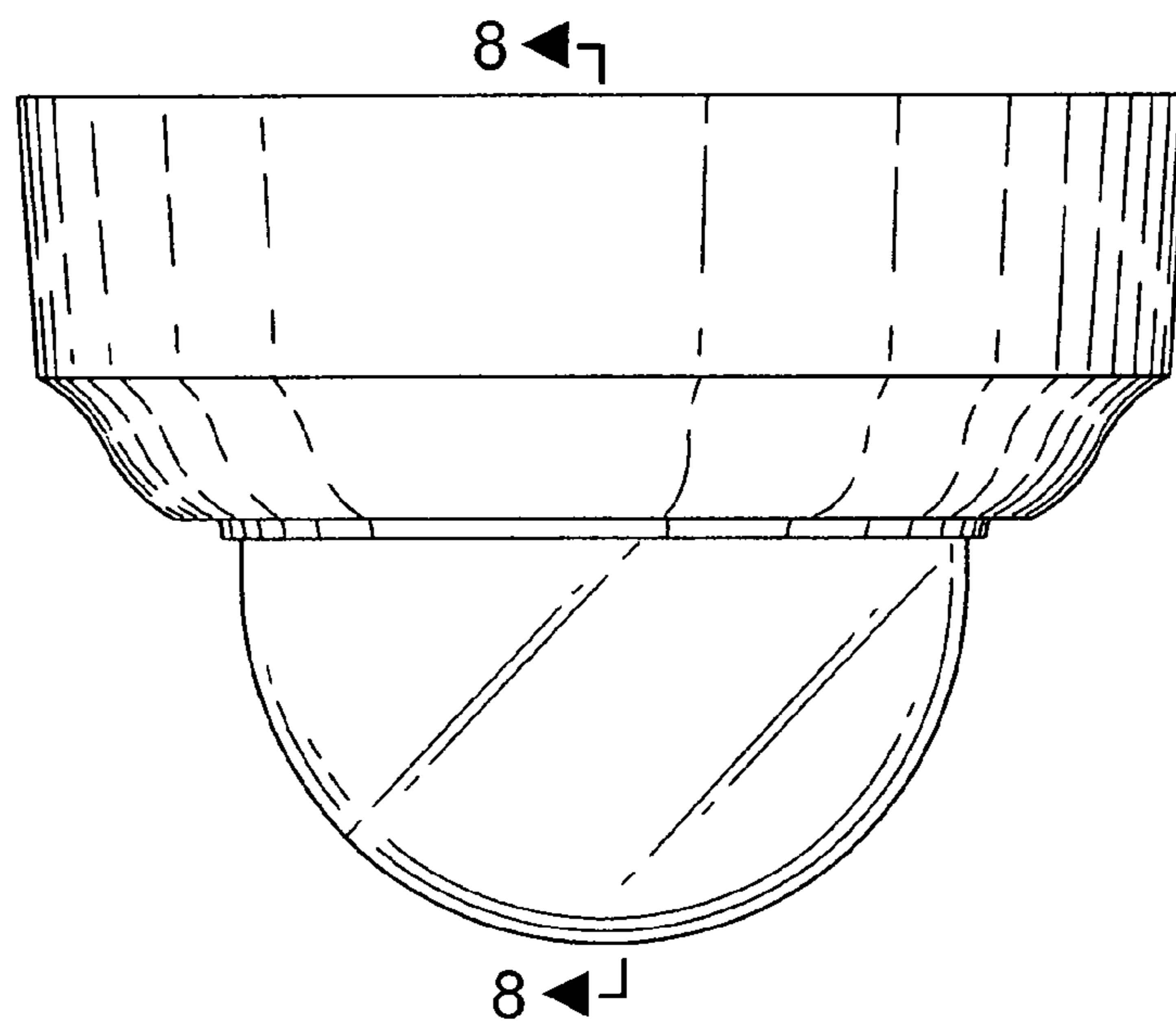


FIG.3

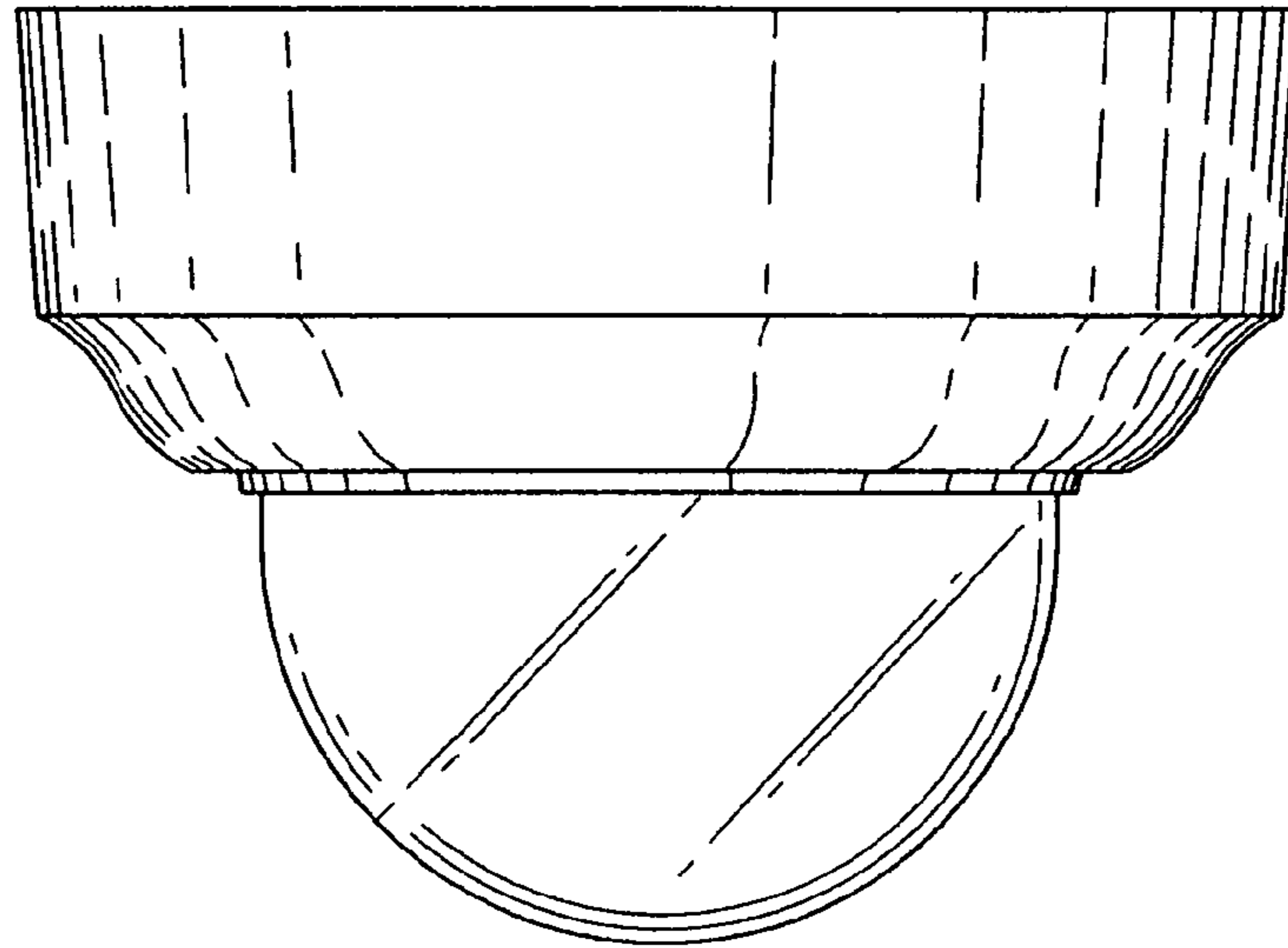


FIG.4

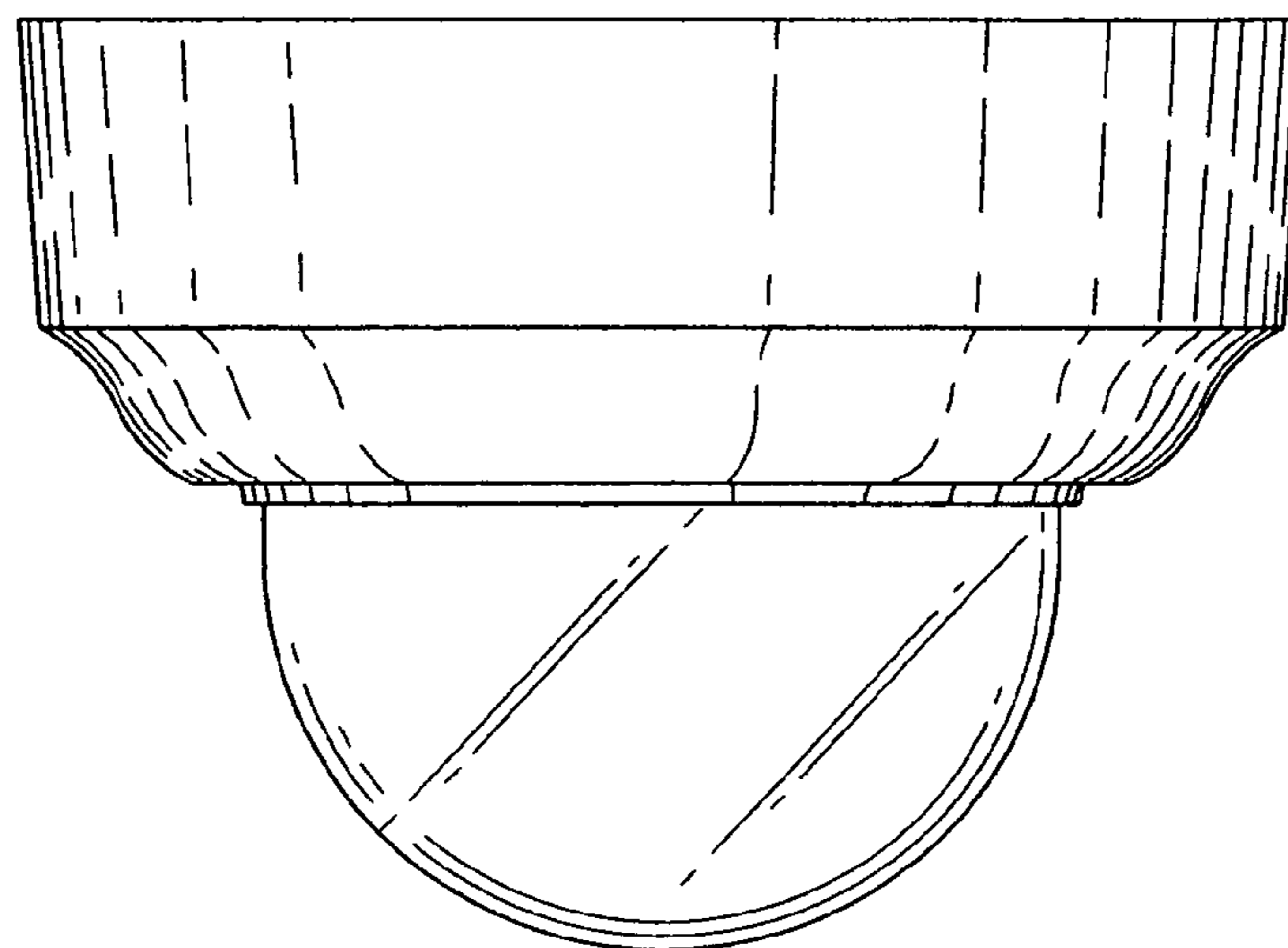


FIG.5

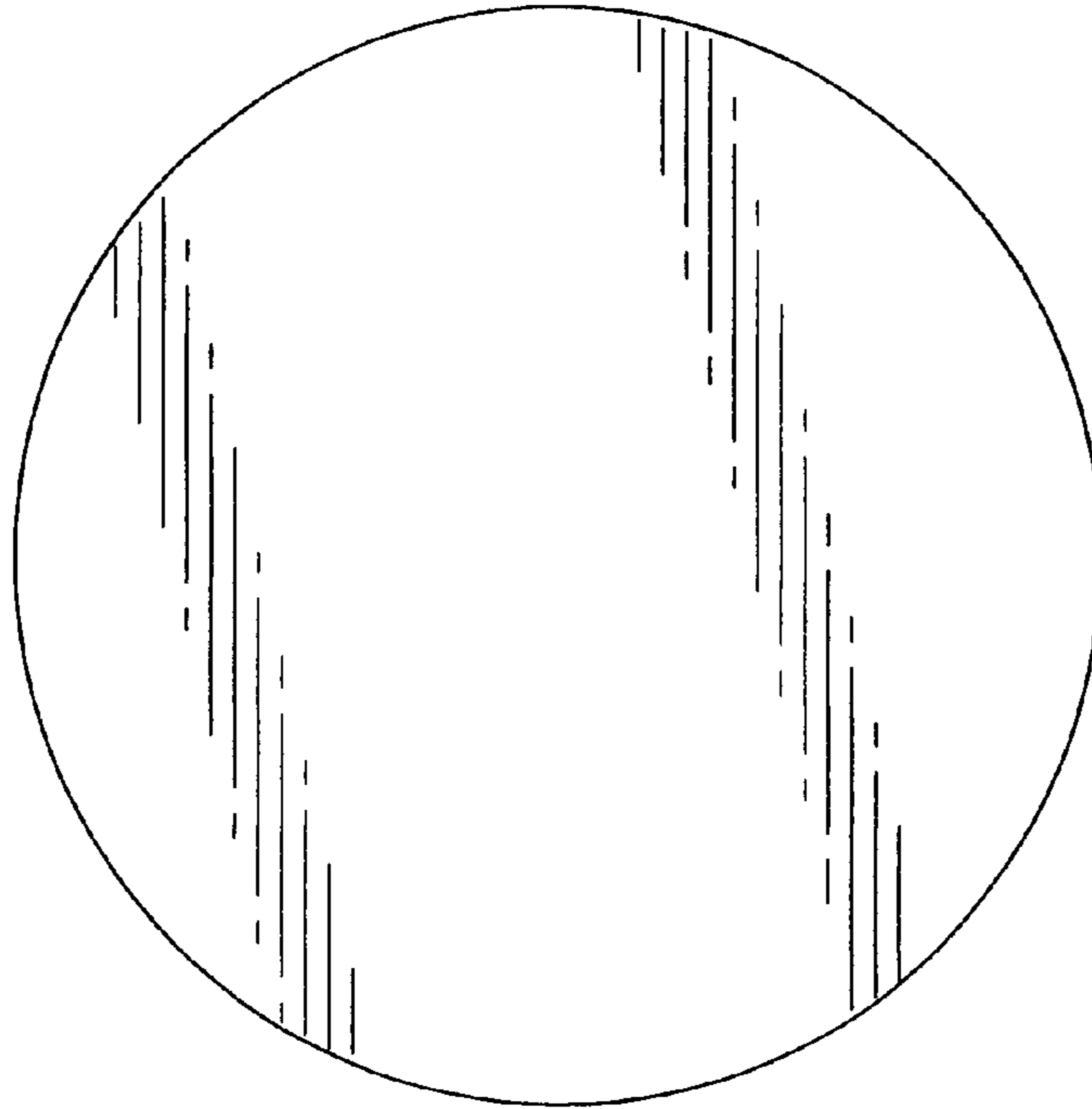


FIG.6

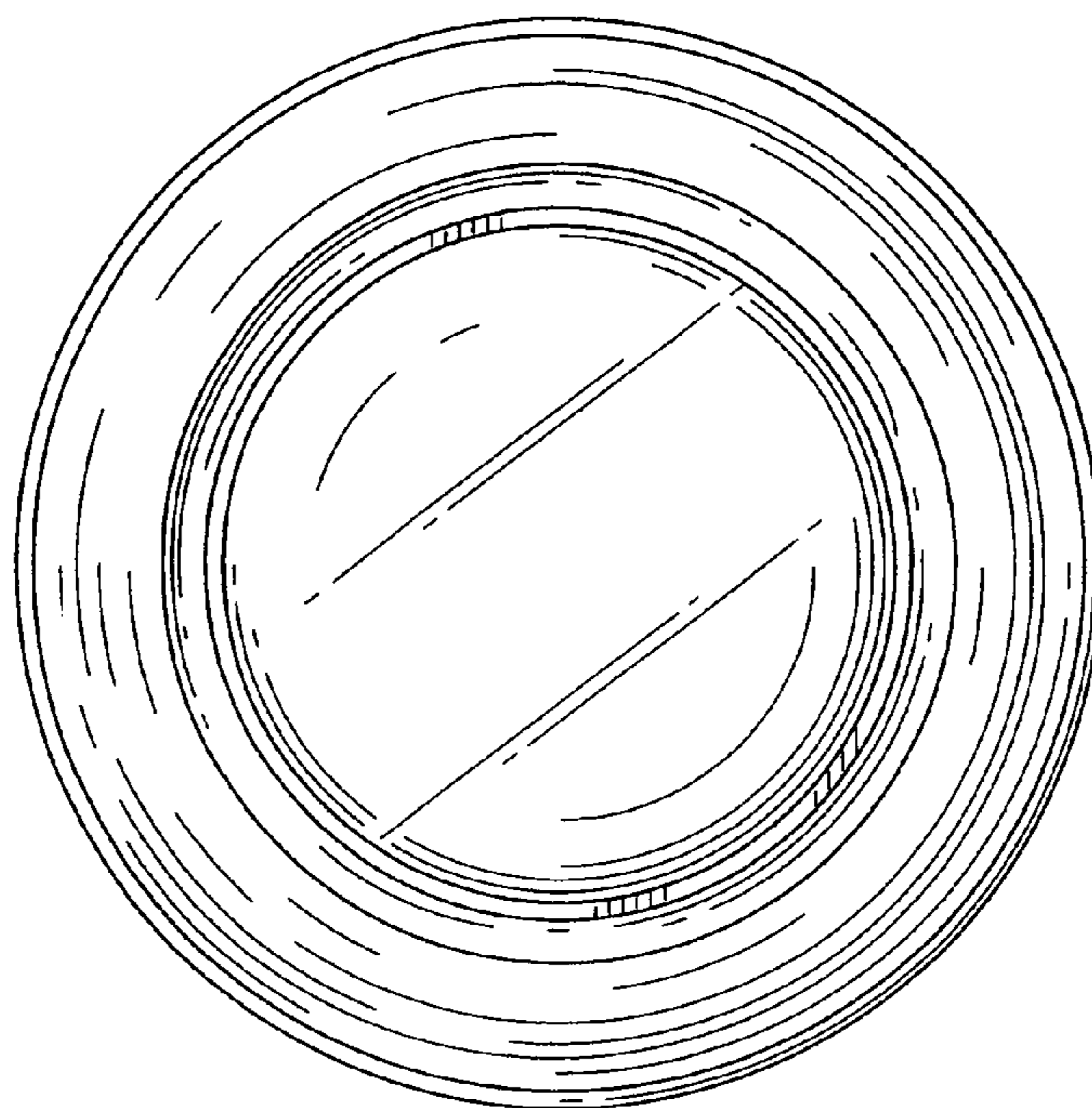


FIG.7

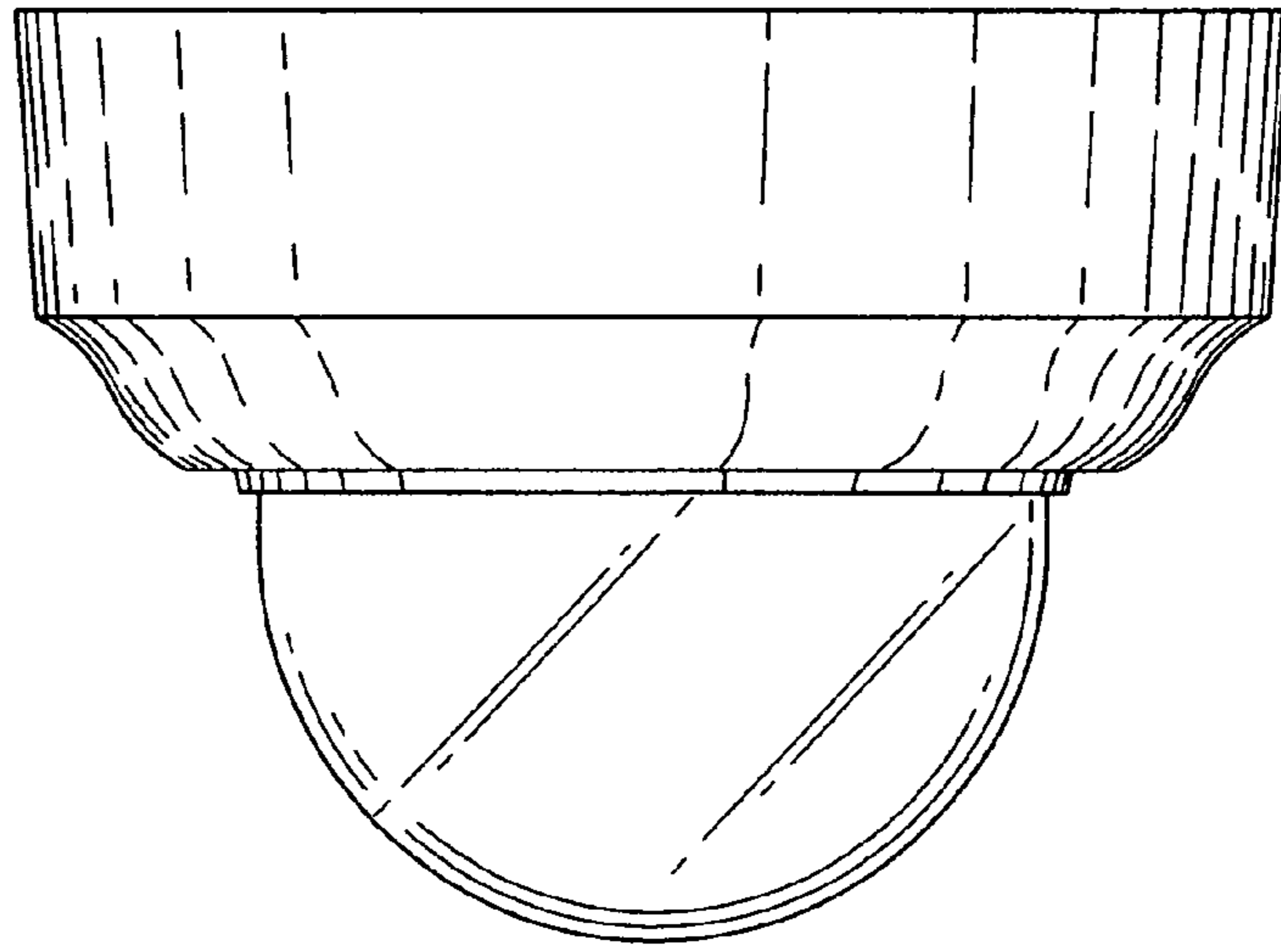


FIG.8

