



US00D584755S

(12) **United States Design Patent**
Eriksson

(10) **Patent No.:** **US D584,755 S**

(45) **Date of Patent:** **** Jan. 13, 2009**

(54) **INFRARED CAMERA**

(75) Inventor: **Mikael Eriksson**, Vaxholm (SE)

(73) Assignee: **Flir Systems AB**, Danderyd (SE)

(**) Term: **14 Years**

(21) Appl. No.: **29/297,890**

(22) Filed: **Nov. 21, 2007**

(30) **Foreign Application Priority Data**

May 21, 2007 (EM) 000726344

(51) **LOC (9) Cl.** **16-01**

(52) **U.S. Cl.** **D16/202**

(58) **Field of Classification Search** D16/200–205,
D16/208, 218; 348/164, 373–376; 358/906;
396/535–541

See application file for complete search history.

(56) **References Cited**

U.S. PATENT DOCUMENTS

3,704,342 A * 11/1972 Stoddard et al. 348/164
4,394,692 A * 7/1983 Randmae et al. 348/143
6,683,654 B1 * 1/2004 Haijima 348/374

D522,035 S * 5/2006 Muto D16/203
D529,063 S * 9/2006 Cheng D16/203
D540,360 S * 4/2007 Yamakawa D16/203
D543,568 S * 5/2007 Naruki D16/203
D563,450 S * 3/2008 Cheng D16/203

* cited by examiner

Primary Examiner—Adir Aronovich

(74) *Attorney, Agent, or Firm*—Young & Thompson

(57) **CLAIM**

The ornamental design for an infrared camera, as shown and described.

DESCRIPTION

FIG. 1 is a top left side perspective view of an infrared camera according to my new design;

FIG. 2 is a front view thereof;

FIG. 3 is a rear view thereof;

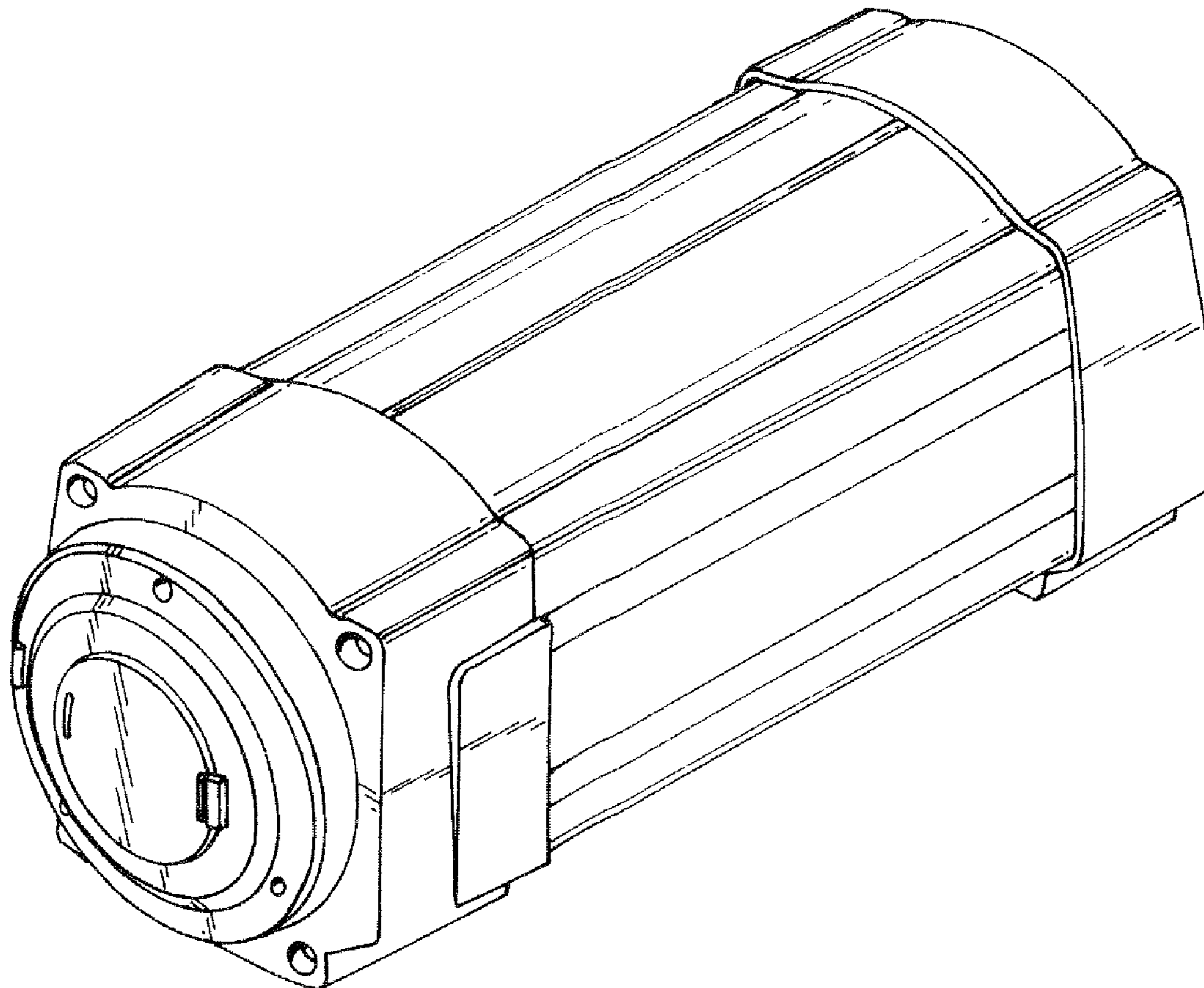
FIG. 4 is a right side view thereof;

FIG. 5 is a left side view thereof;

FIG. 6 is a top plan view thereof; and,

FIG. 7 is a bottom plan view thereof.

1 Claim, 2 Drawing Sheets



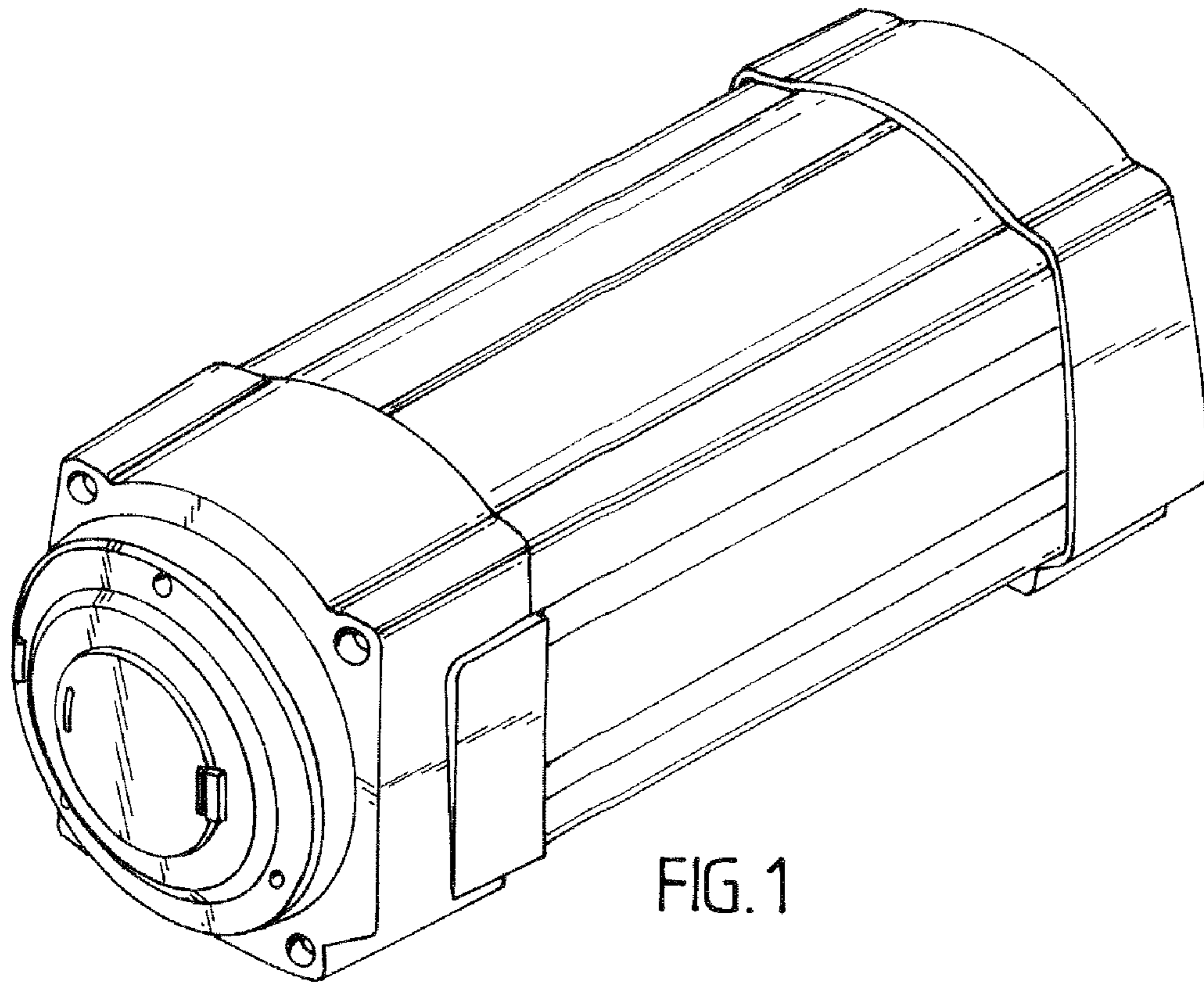


FIG. 1

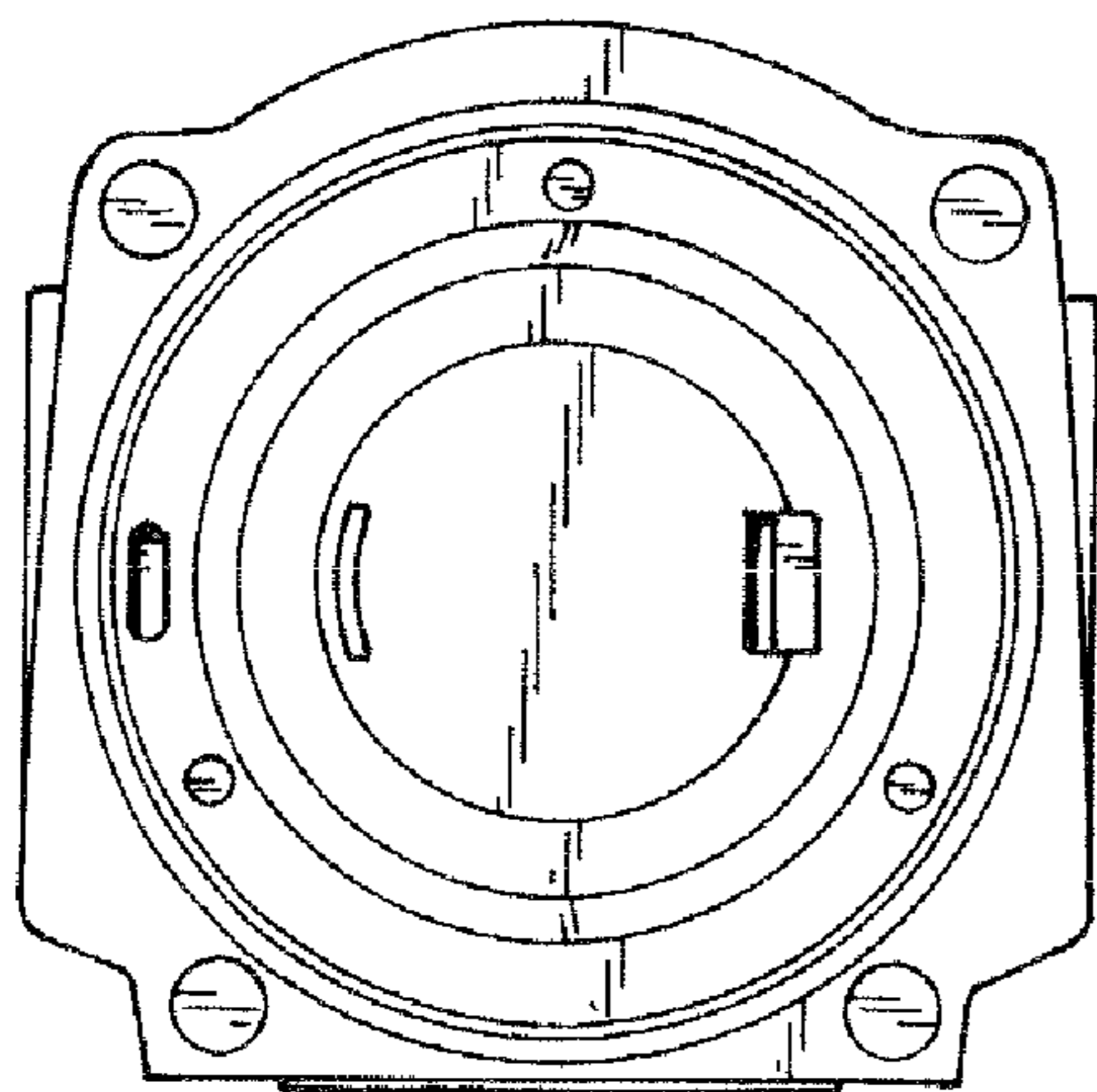


FIG. 2

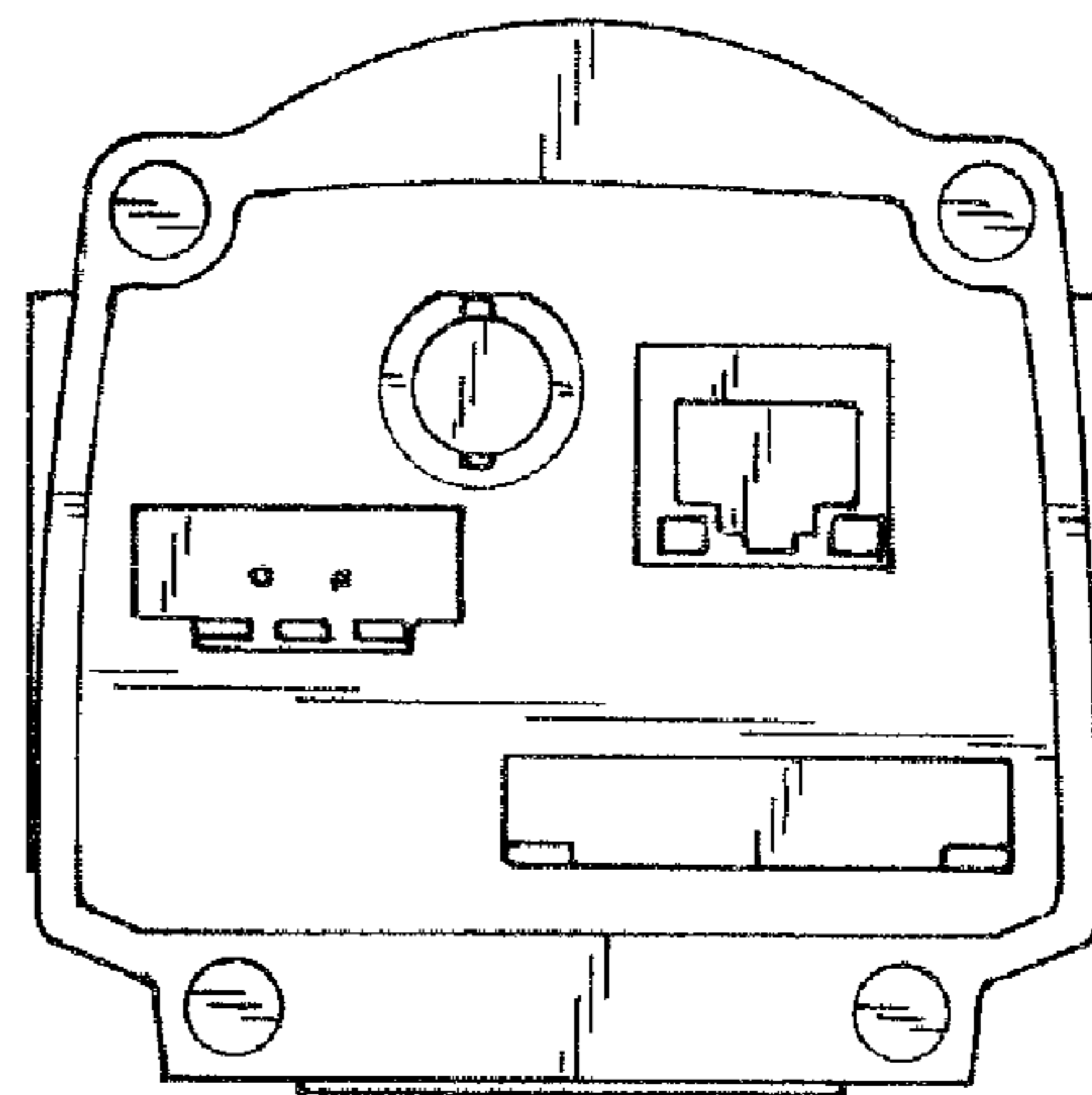


FIG. 3

