



US00D584754S

(12) **United States Design Patent**  
**Chung et al.**

(10) **Patent No.:** **US D584,754 S**  
(45) **Date of Patent:** **\*\* Jan. 13, 2009**

(54) **CAMCORDER**

(75) Inventors: **Yeon Moo Chung**, Seoul (KR); **Harata Tomohiro**, Seoul (KR); **Mi Ri Lee**, Seoul (KR)

(73) Assignee: **Samsung Electronics Co., Ltd.**, Suwon (KR)

(\*\*) Term: **14 Years**

(21) Appl. No.: **29/289,588**

(22) Filed: **Jul. 25, 2007**

(51) **LOC (9) Cl.** ..... **16-01**

(52) **U.S. Cl.** ..... **D16/202**

(58) **Field of Classification Search** ..... D16/200–205,  
D16/208, 218; 348/143, 151, 373–376; 396/427,  
396/535–541

See application file for complete search history.

(56) **References Cited**

**U.S. PATENT DOCUMENTS**

D366,271 S \* 1/1996 Hasegawa ..... D16/203  
D426,844 S \* 6/2000 Fujii ..... D16/202  
D446,801 S \* 8/2001 Adachi et al. .... D16/203  
6,683,654 B1 \* 1/2004 Haijima ..... 348/374

D489,744 S \* 5/2004 Muto ..... D16/203  
D522,035 S \* 5/2006 Muto ..... D16/203  
D529,063 S \* 9/2006 Cheng ..... D16/203  
D540,360 S \* 4/2007 Yamakawa ..... D16/203  
D551,275 S \* 9/2007 Kim ..... D16/203  
D563,450 S \* 3/2008 Cheng ..... D16/203

\* cited by examiner

*Primary Examiner*—Adir Aronovich

(74) *Attorney, Agent, or Firm*—Ladas and Parry LLP

(57) **CLAIM**

The ornamental design for a camcorder, as shown.

**DESCRIPTION**

FIG. 1 is a top, front and left side perspective view of a camcorder showing our new design;

FIG. 2 is a front elevational view thereof;

FIG. 3 is a rear elevational view thereof;

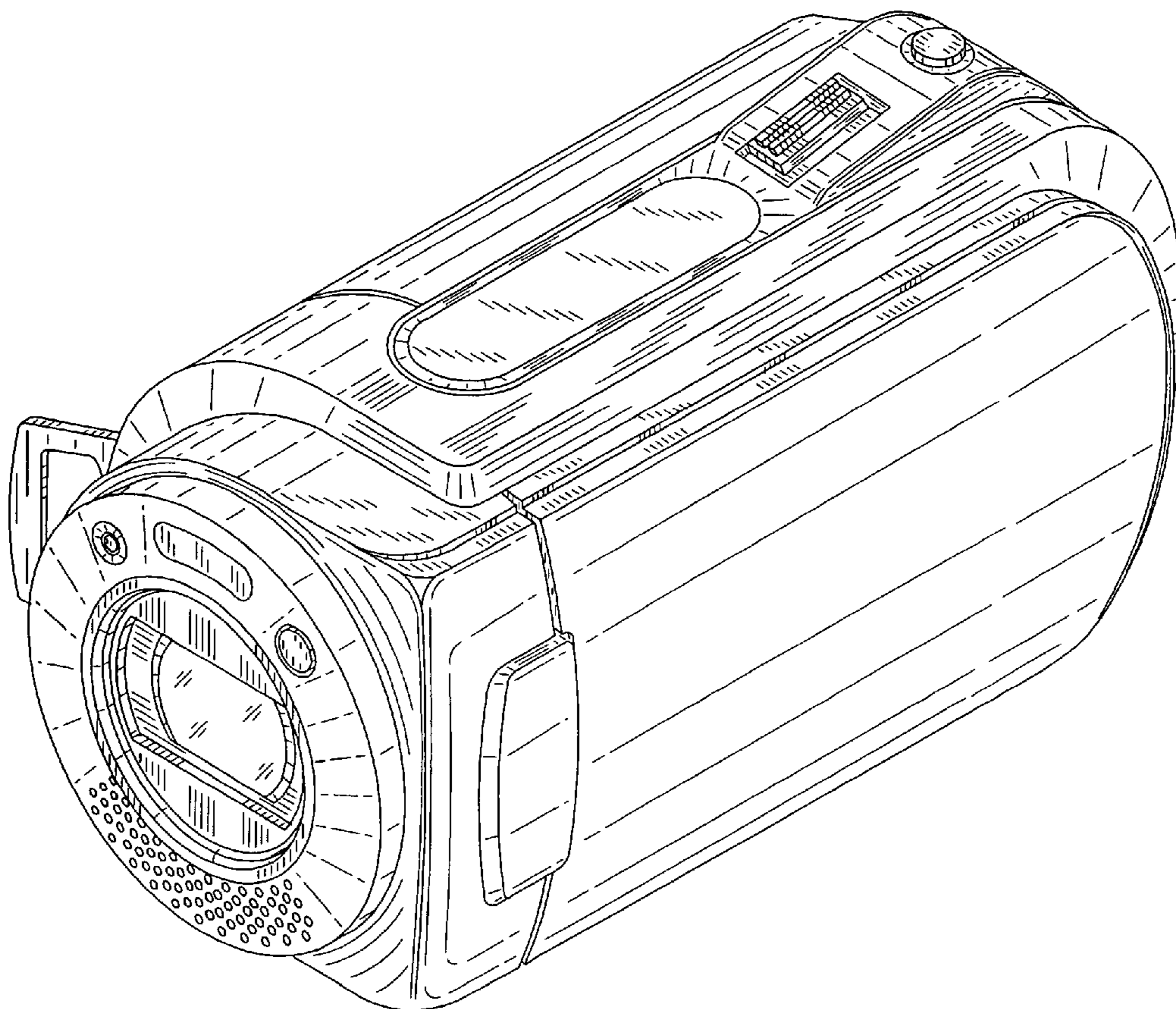
FIG. 4 is a left-side elevational view thereof;

FIG. 5 is a right-side elevational view thereof;

FIG. 6 is a top plan view thereof; and,

FIG. 7 is a bottom plan view thereof.

**1 Claim, 7 Drawing Sheets**



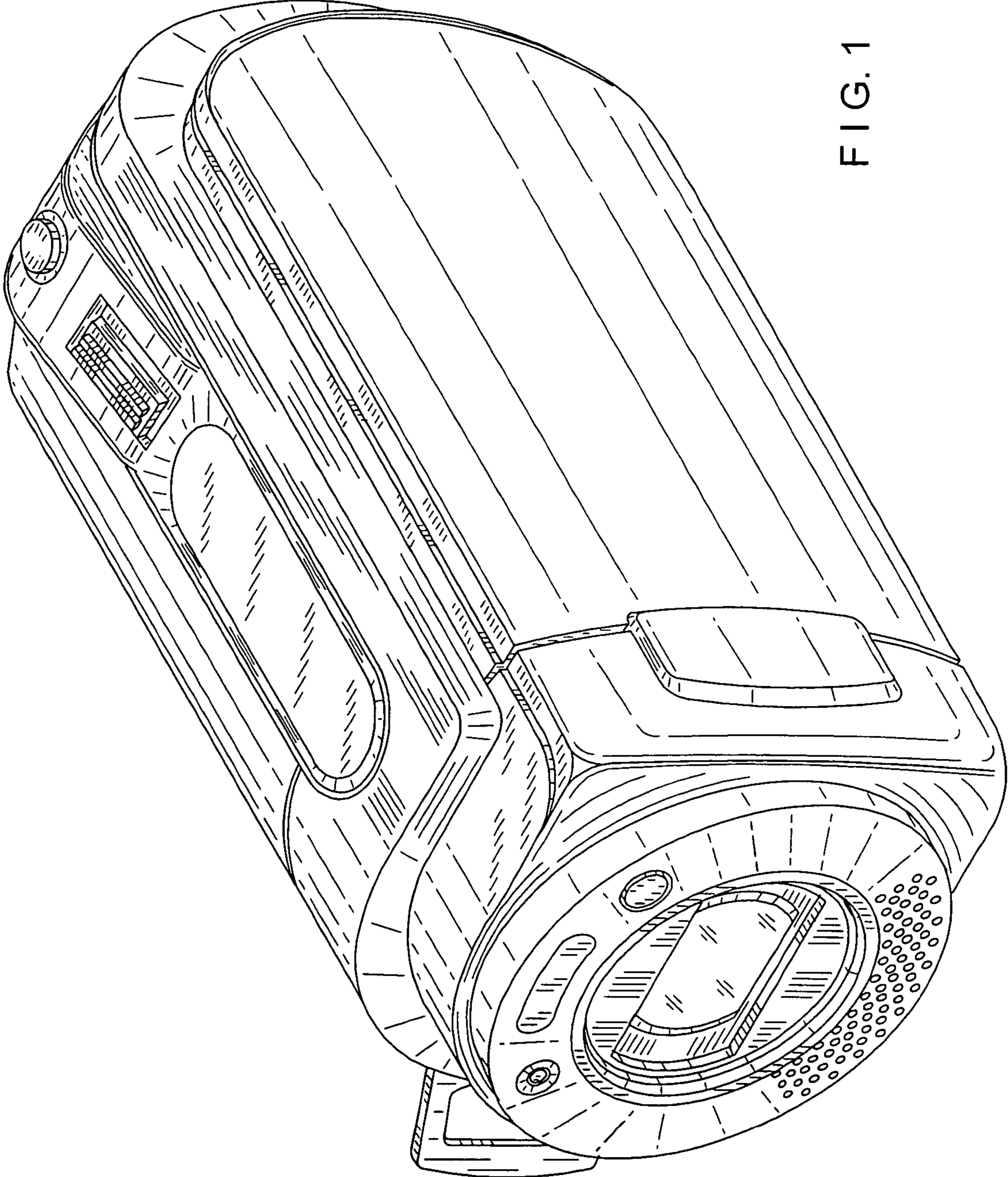


FIG. 1

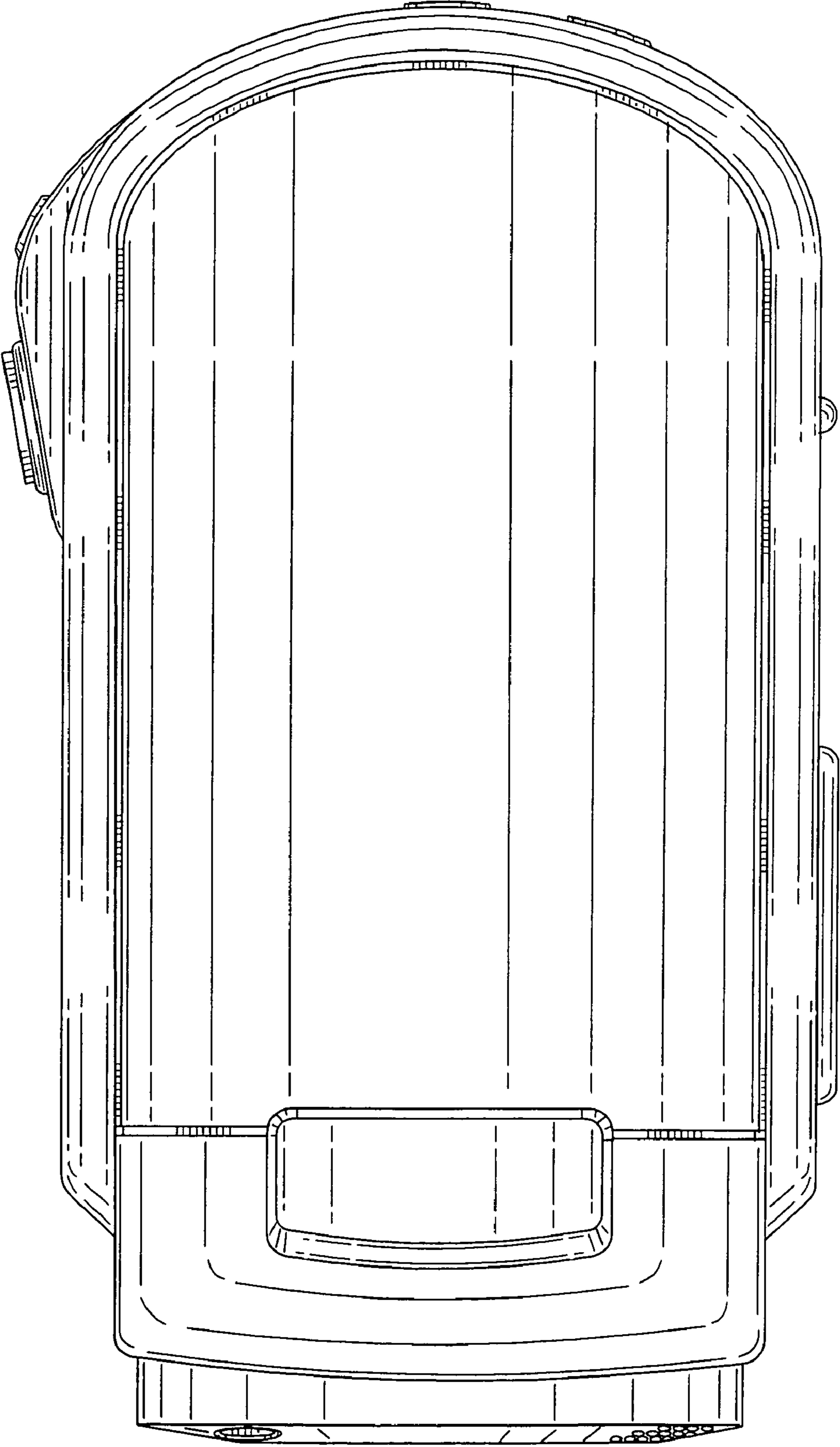


FIG. 2

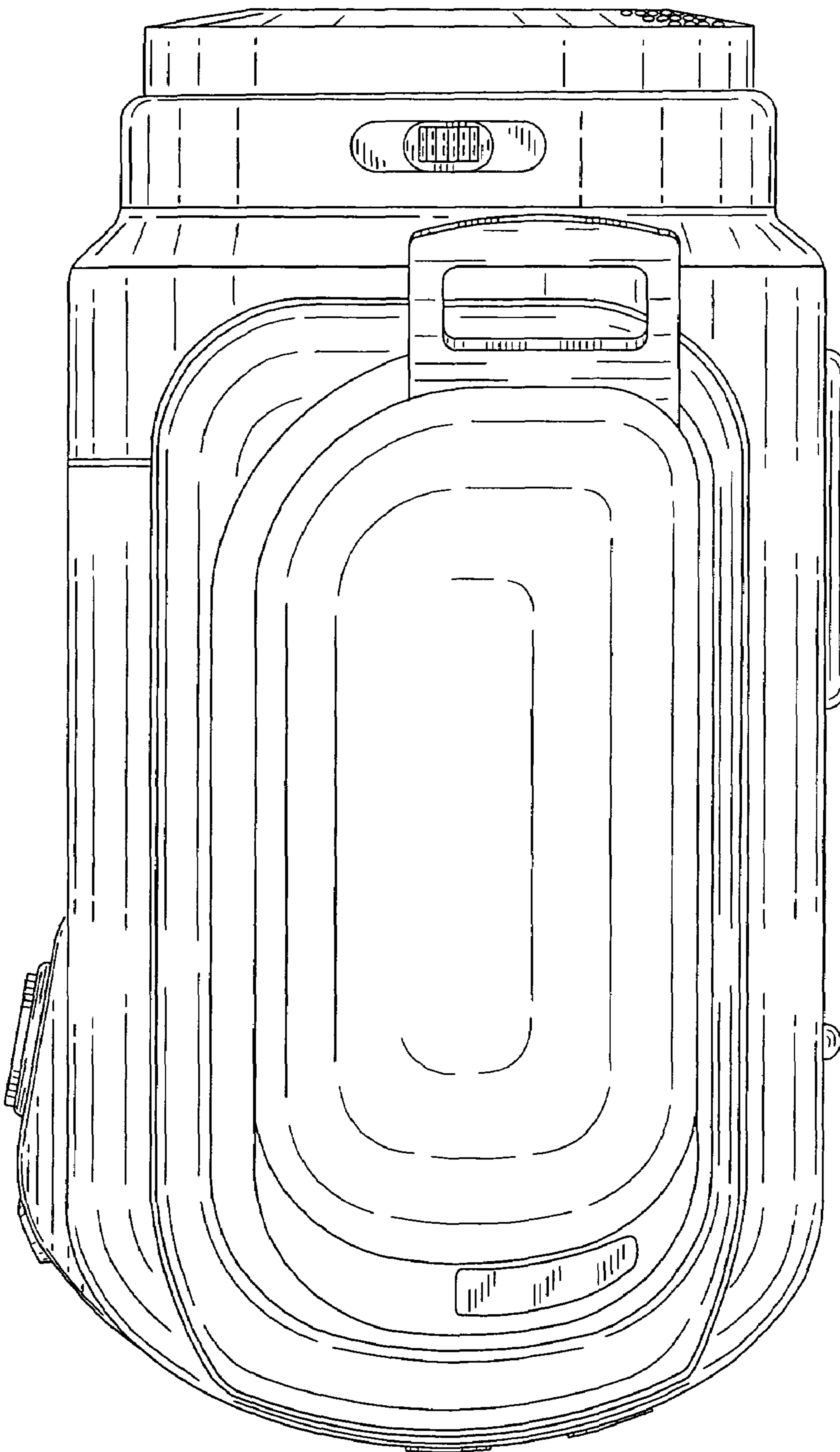


FIG. 3

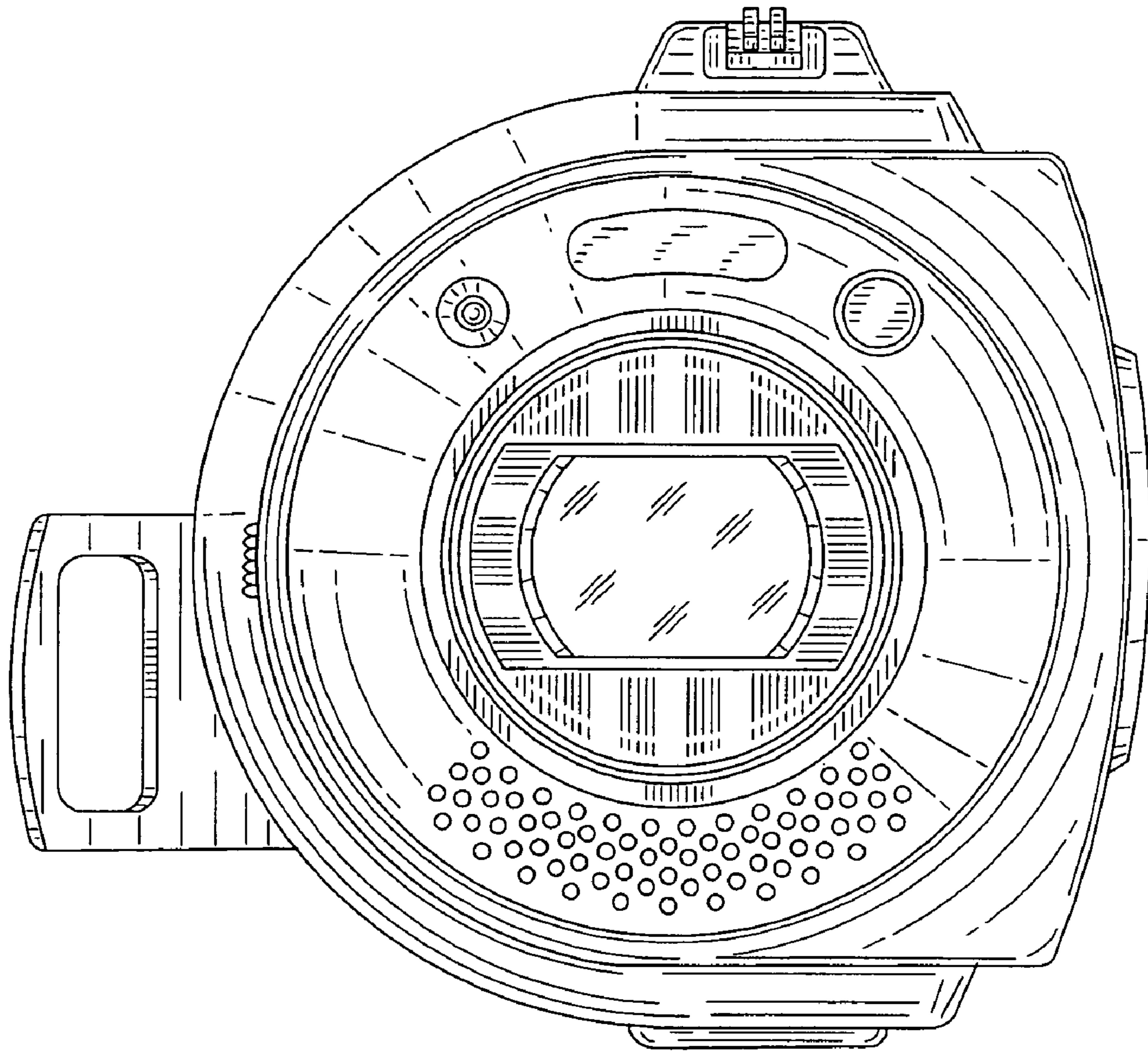


FIG. 4

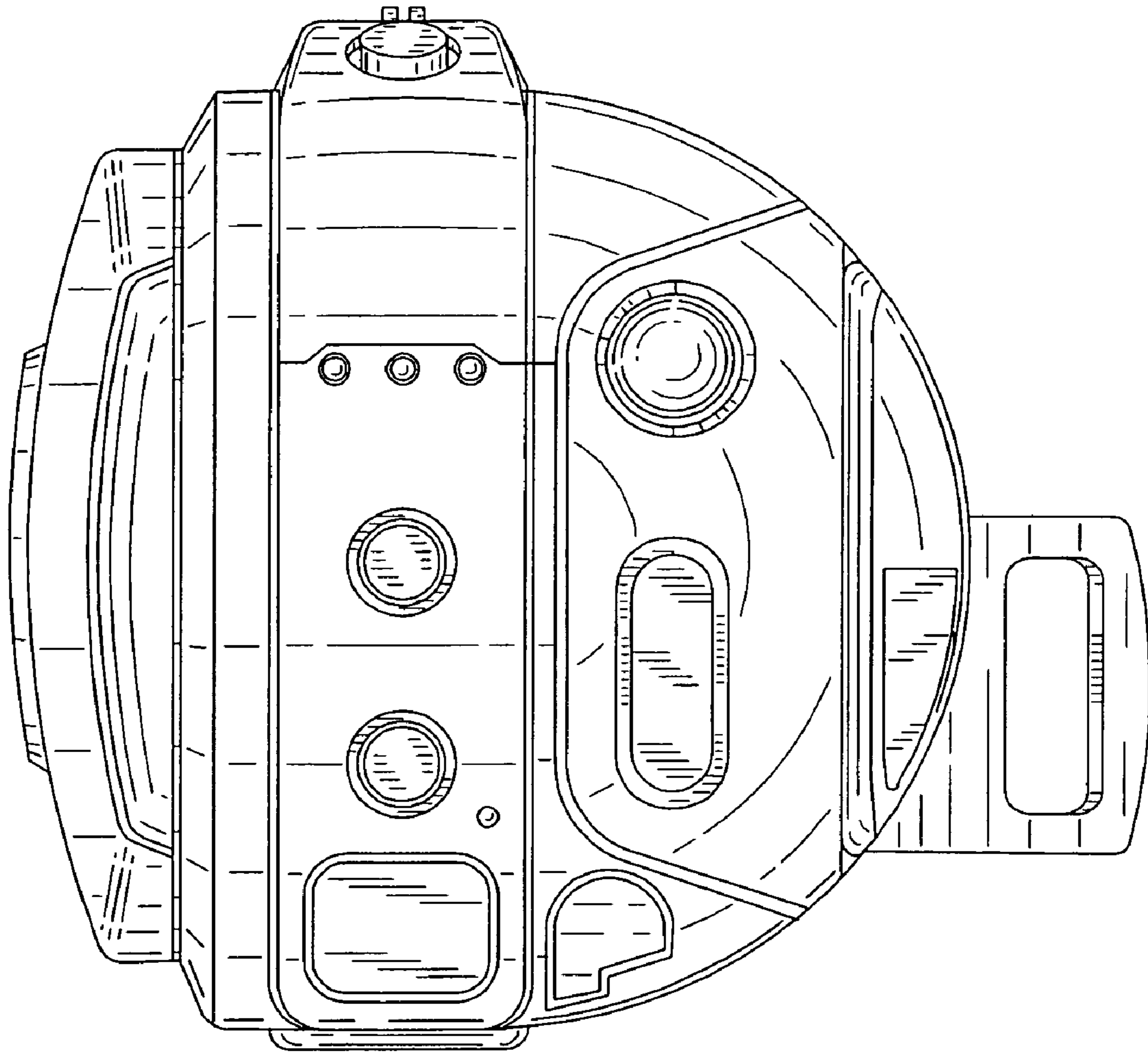


FIG. 5

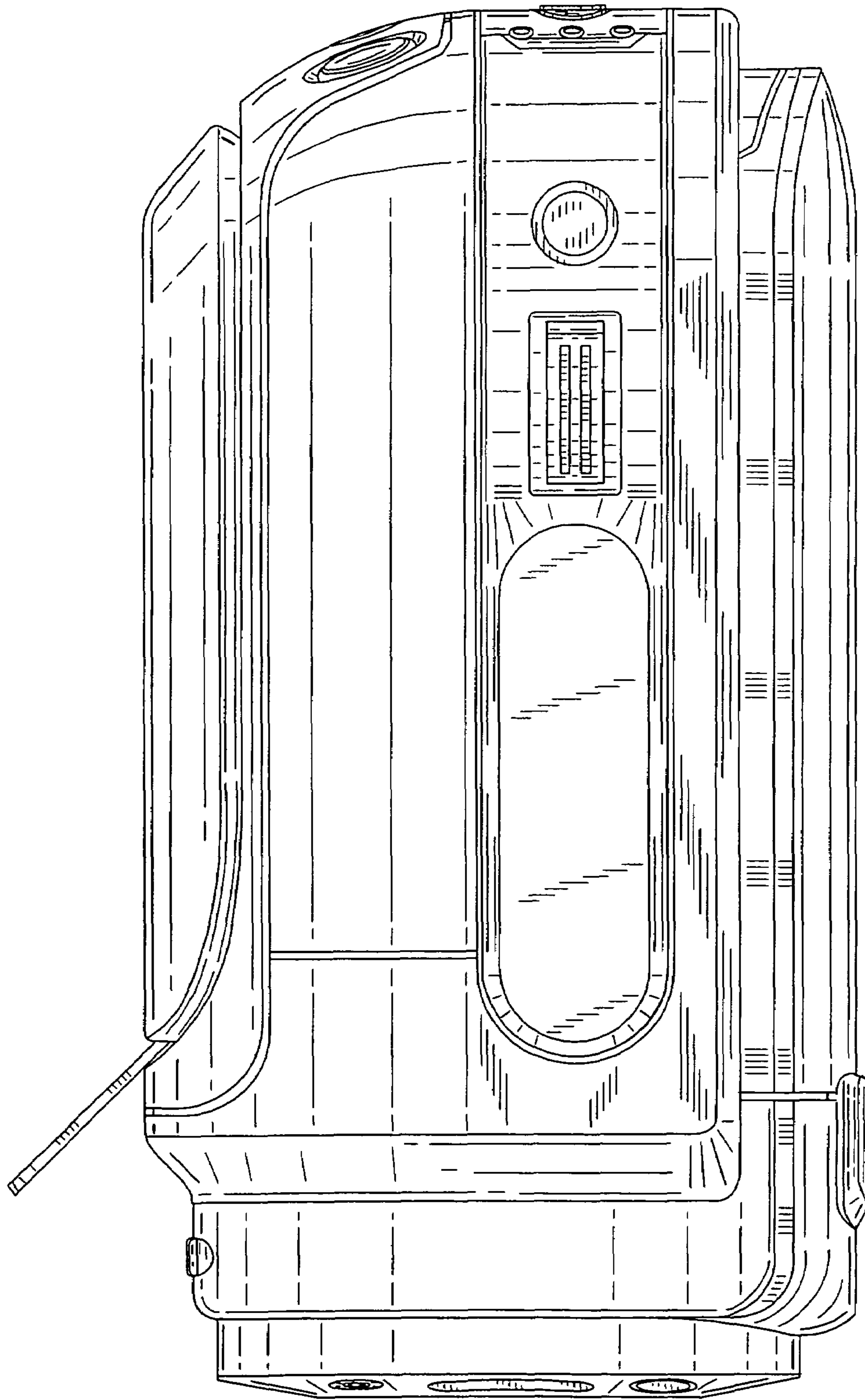


FIG. 6

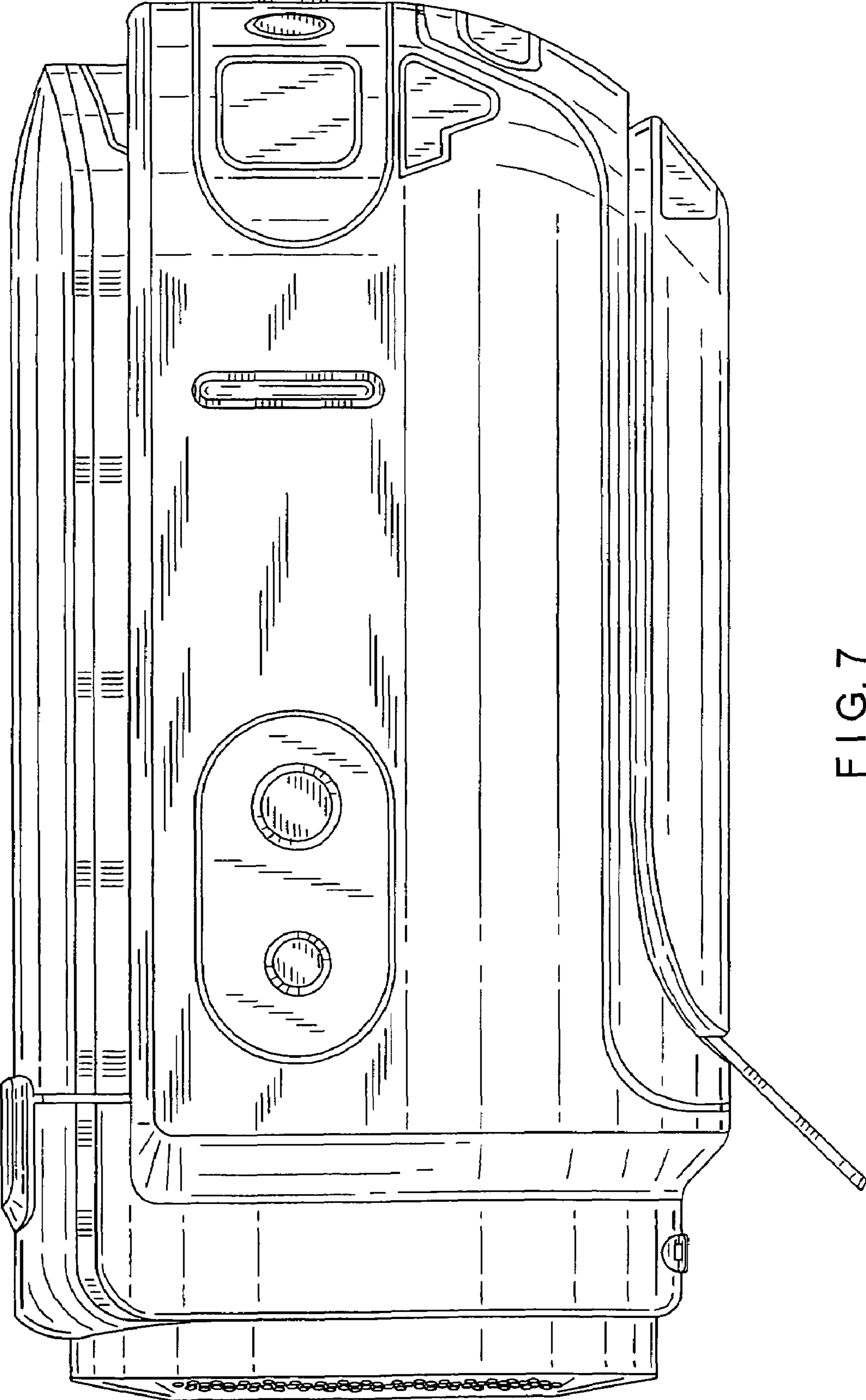


FIG. 7