



US00D584753S

(12) **United States Design Patent**
Chung et al.

(10) **Patent No.:** **US D584,753 S**
(45) **Date of Patent:** **** Jan. 13, 2009**

(54) **CAMCORDER**

(75) Inventors: **Yeon Moo Chung**, Seoul (KR); **Harata Tomohiro**, Seoul (KR); **Mi Ri Lee**, Seoul (KR)

(73) Assignee: **Samsung Electronics Co., Ltd.**, Suwon (KR)

(**) Term: **14 Years**

(21) Appl. No.: **29/289,570**

(22) Filed: **Jul. 25, 2007**

(51) **LOC (9) Cl.** **16-01**

(52) **U.S. Cl.** **D16/202**

(58) **Field of Classification Search** D16/200–204,
D16/218; 348/143, 151, 373–376; 396/427,
396/535–541

See application file for complete search history.

(56) **References Cited**

U.S. PATENT DOCUMENTS

D366,271 S * 1/1996 Hasegawa D16/203
D426,844 S * 6/2000 Fujii D16/202
D446,801 S * 8/2001 Adachi et al. D16/203
6,683,654 B1 * 1/2004 Haijima 348/374

D489,744 S * 5/2004 Muto D16/203
D522,035 S * 5/2006 Muto D16/203
D529,063 S * 9/2006 Cheng D16/203
D540,360 S * 4/2007 Yamakawa D16/203
D551,275 S * 9/2007 Kim D16/203
D563,450 S * 3/2008 Cheng D16/203

* cited by examiner

Primary Examiner—Adir Aronovich

(74) *Attorney, Agent, or Firm*—Ladas & Parry LLP

(57) **CLAIM**

The ornamental design for a camcorder as shown.

DESCRIPTION

FIG. 1 is a top, front and left side perspective view of a camcorder showing our new design;

FIG. 2 is a front elevational view thereof;

FIG. 3 is a rear elevational view thereof;

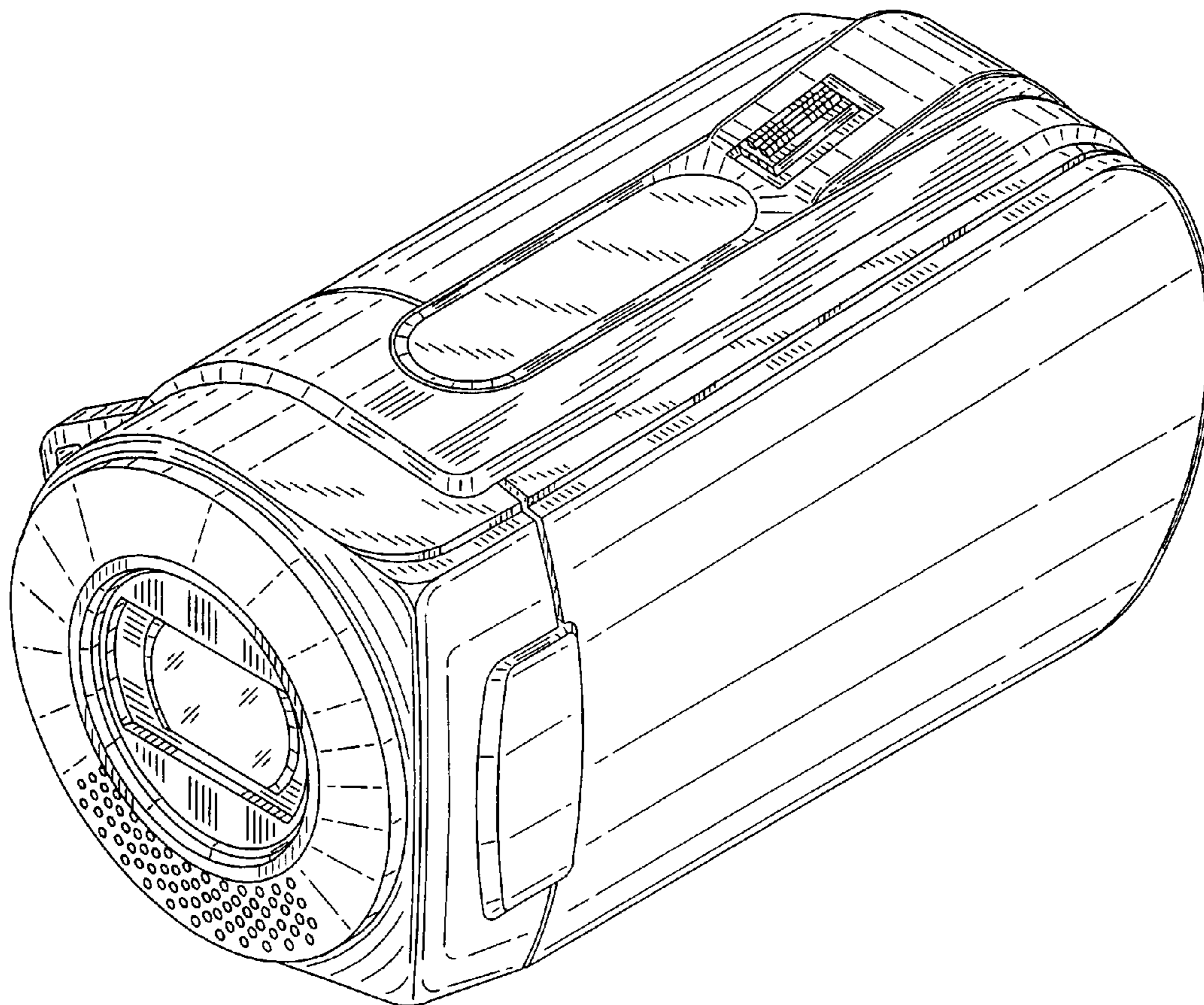
FIG. 4 is a left-side elevational view thereof;

FIG. 5 is a right-side elevational view thereof;

FIG. 6 is a top plan view thereof; and,

FIG. 7 is a bottom plan view thereof.

1 Claim, 7 Drawing Sheets



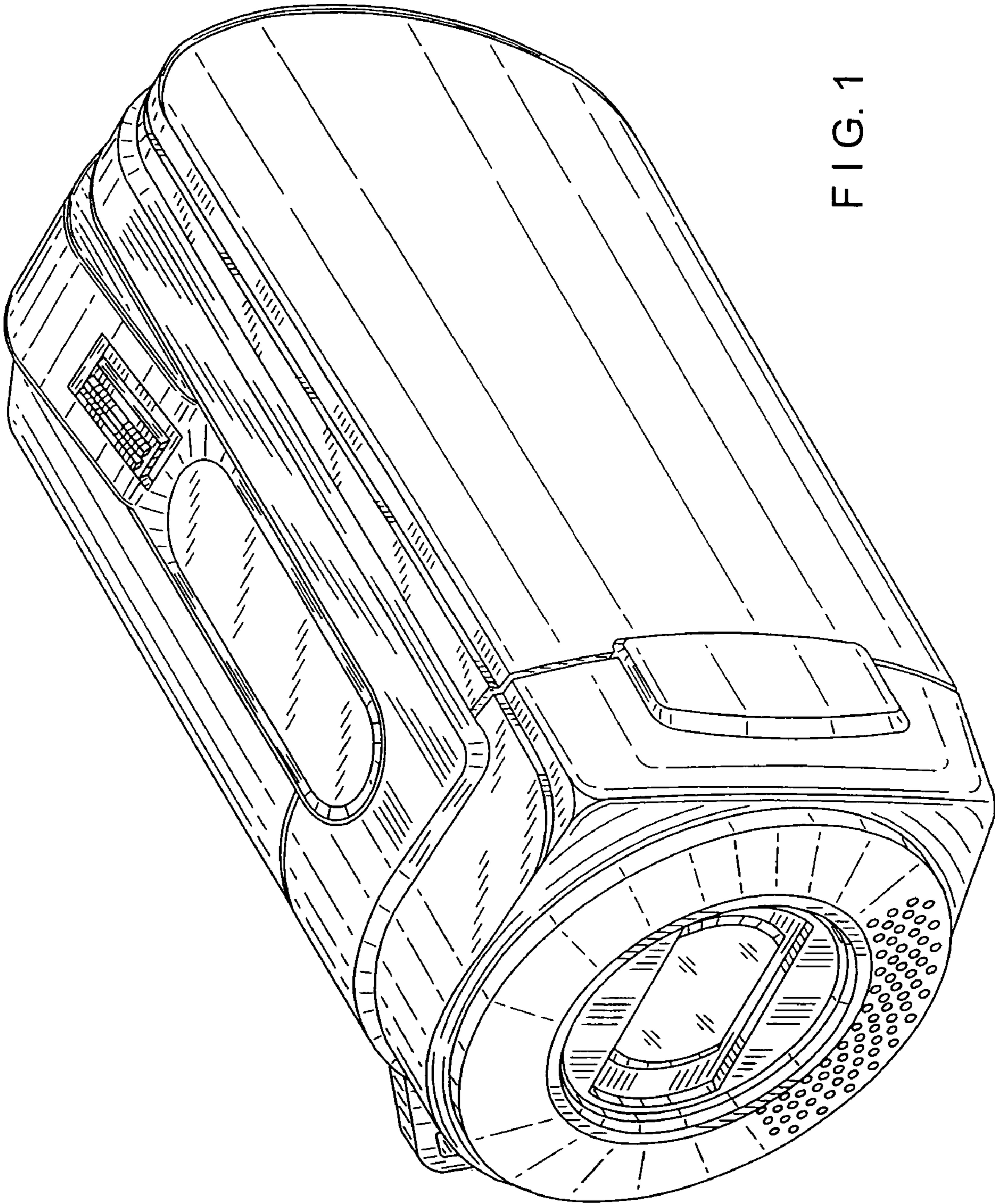


FIG. 1

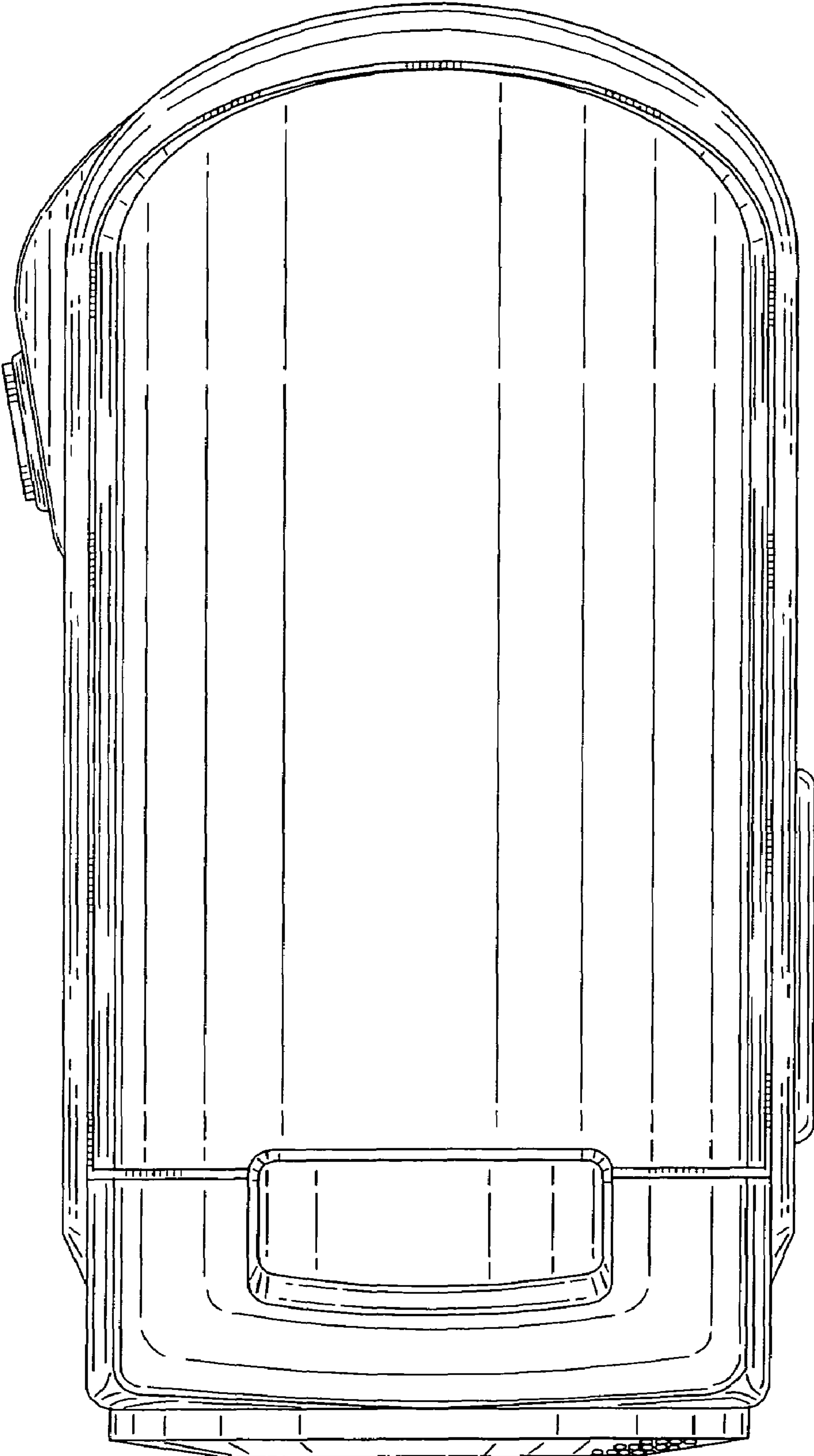


FIG. 2

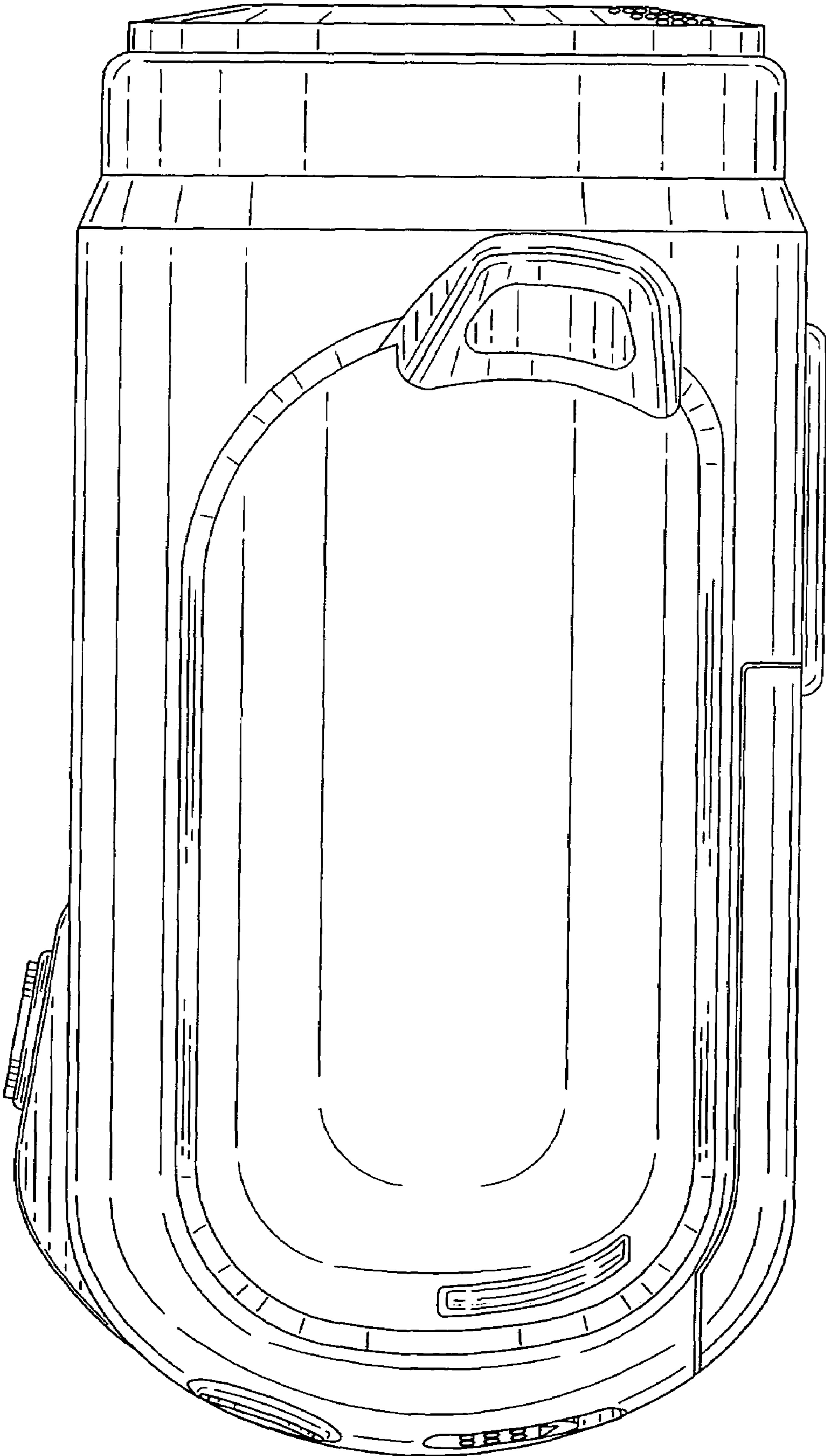


FIG. 3

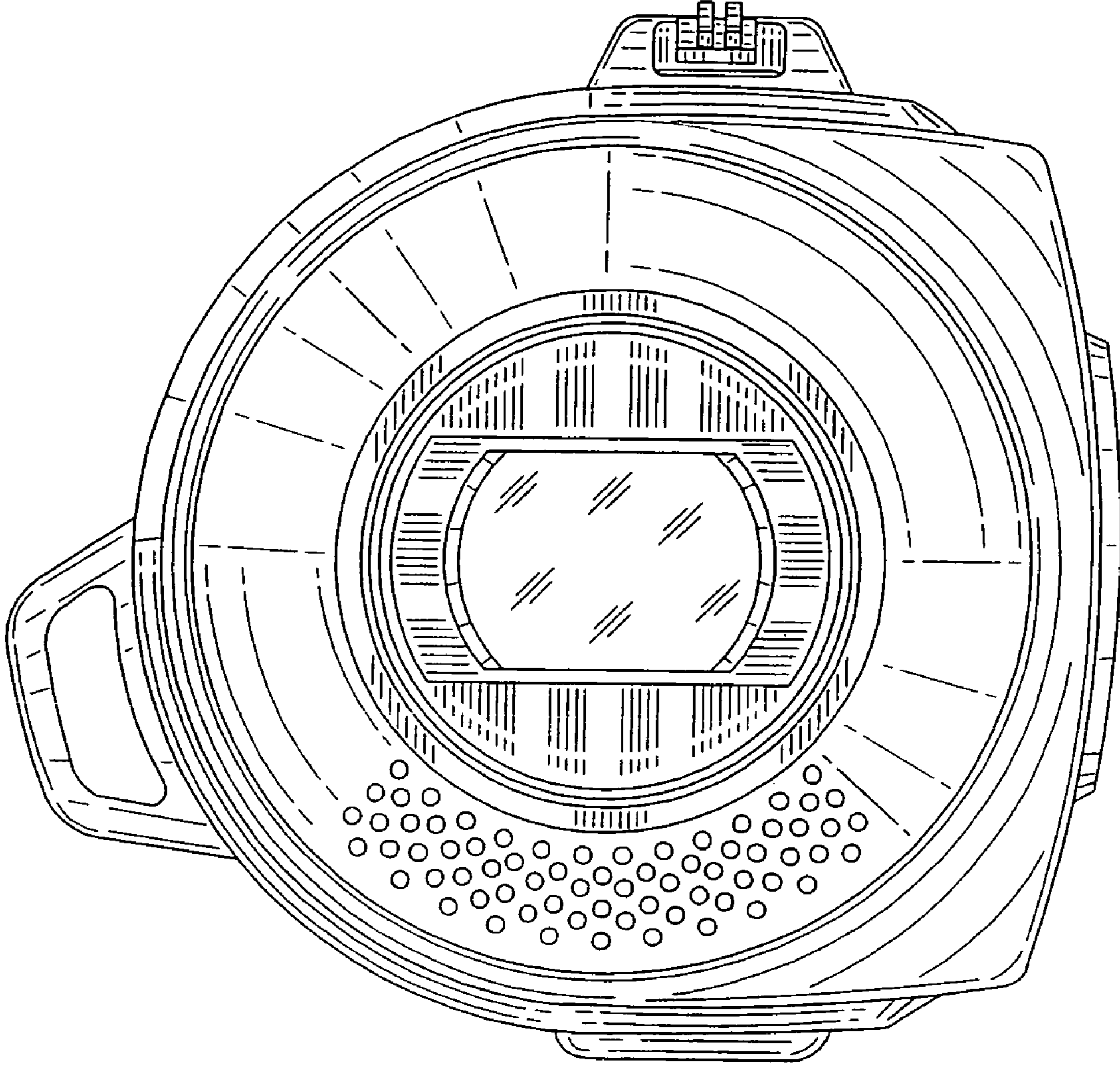


FIG. 4

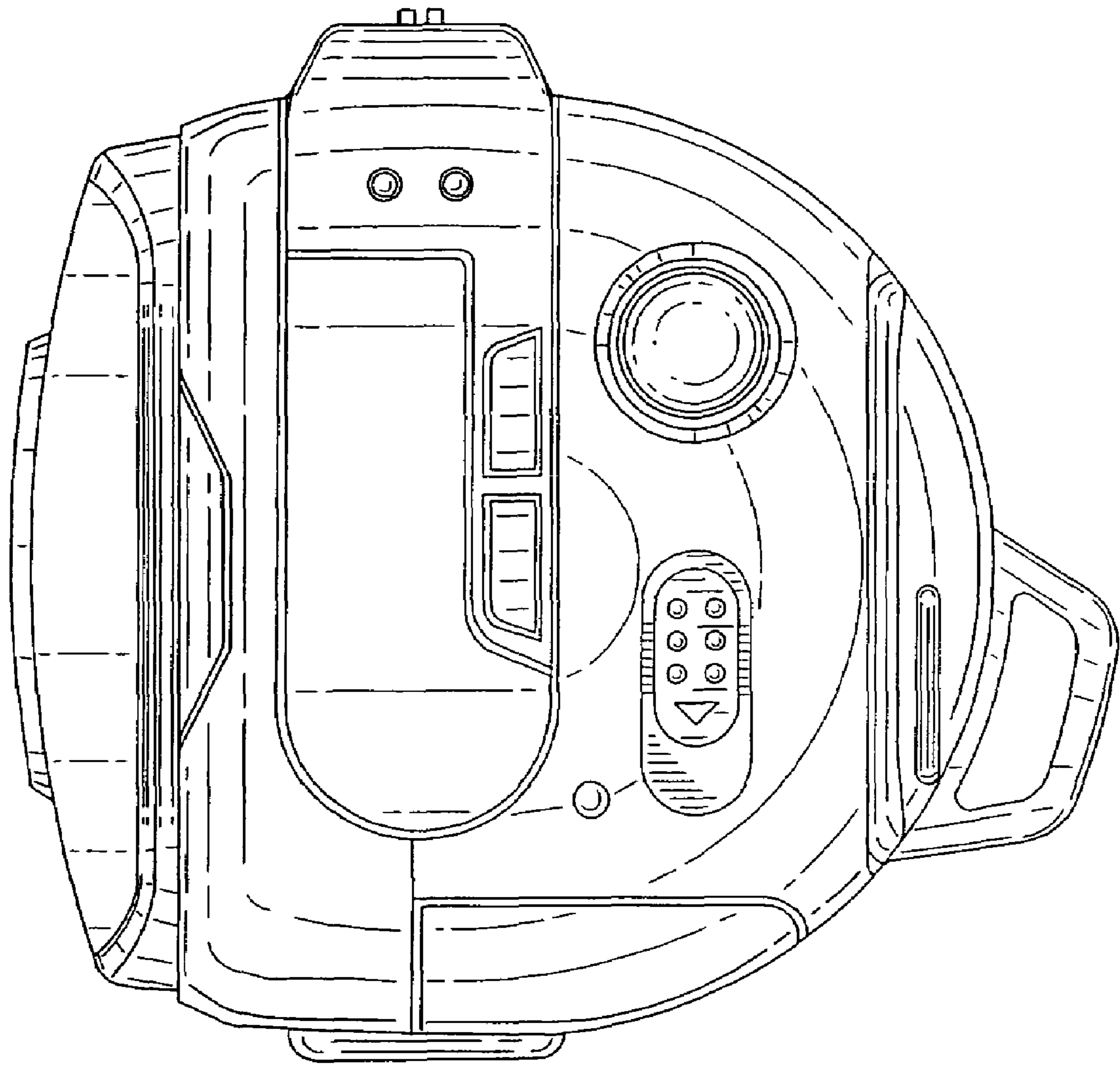


FIG. 5

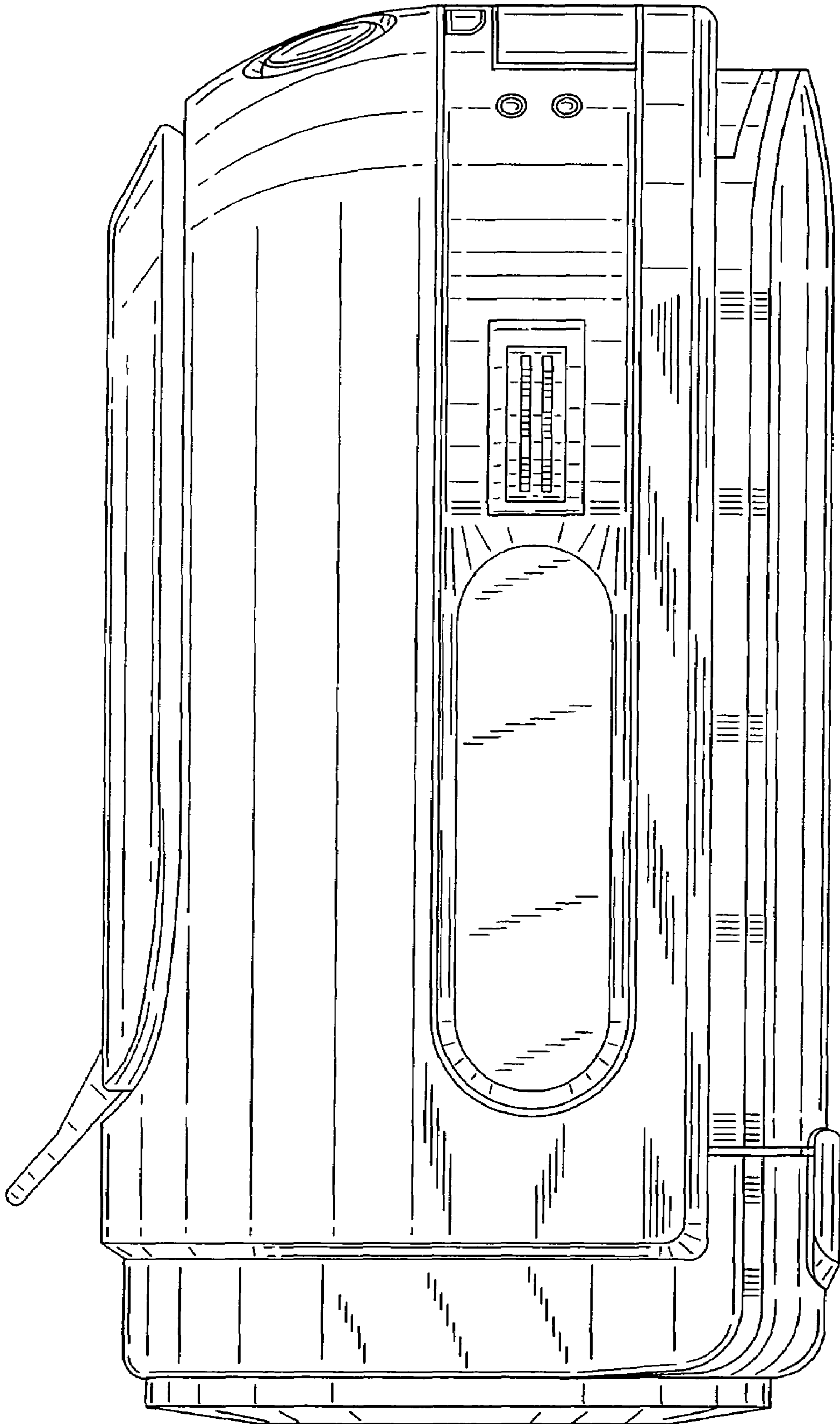


FIG. 6

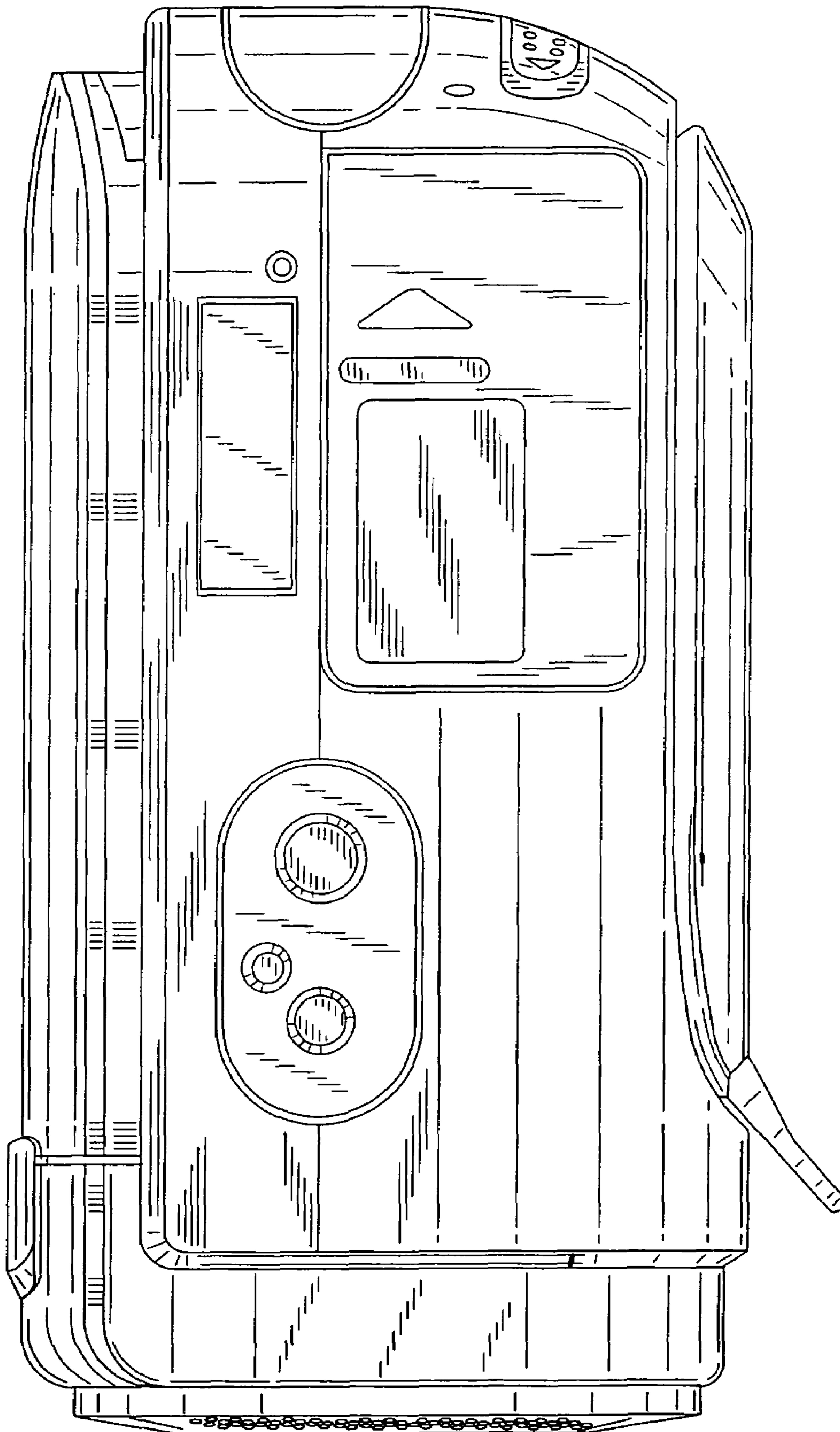


FIG. 7