



US00D584752S

(12) **United States Design Patent**  
**Jonsson et al.**

(10) **Patent No.:** **US D584,752 S**  
(45) **Date of Patent:** **\*\* Jan. 13, 2009**

(54) **CUTTING INSERT FOR METAL CHIP  
REMOVAL**

(75) Inventors: **Mats Jonsson**, Hedemora (SE); **Patrick  
Jonsson**, Fagersta (SE); **Kaj Virtanen**,  
Fagersta (SE)

(73) Assignee: **Seco Tools AB**, Fagersta (SE)

(\*\*) Term: **14 Years**

(21) Appl. No.: **29/320,100**

(22) Filed: **Jun. 20, 2008**

(30) **Foreign Application Priority Data**

Dec. 20, 2007 (EM) ..... 000846993

(51) **LOC (9) Cl.** ..... **15-09**

(52) **U.S. Cl.** ..... **D15/139**

(58) **Field of Classification Search** ..... D15/138,  
D15/139, 140; 407/35, 42, 112-119  
See application file for complete search history.

(56) **References Cited**

**U.S. PATENT DOCUMENTS**

7,052,214 B2 \* 5/2006 Janness ..... 407/35

D526,339 S \* 8/2006 Shanley ..... D15/139  
2001/0014259 A1 \* 8/2001 Inayama ..... 407/116  
2003/0156910 A1 \* 8/2003 Friedman et al. .... 407/117  
2003/0165362 A1 \* 9/2003 Hecht ..... 407/107  
2008/0226403 A1 \* 9/2008 Craig ..... 407/113

\* cited by examiner

*Primary Examiner*—Sandra Snapp

*Assistant Examiner*—Patricia Palasik

(74) *Attorney, Agent, or Firm*—WRB-IP LLP

(57) **CLAIM**

The ornamental design for a cutting insert for metal chip removal, as shown and described.

**DESCRIPTION**

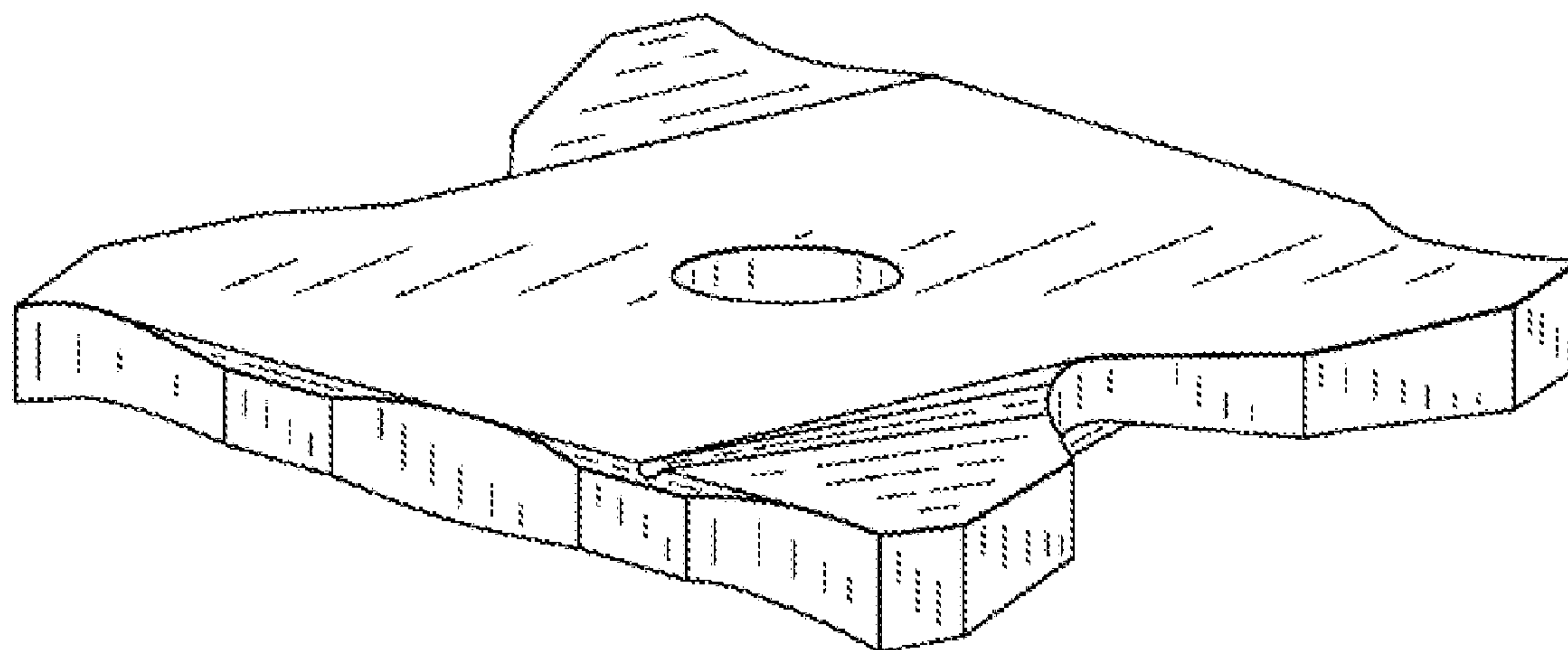
FIG. 1 is a top view of the cutting insert for metal chip removal;

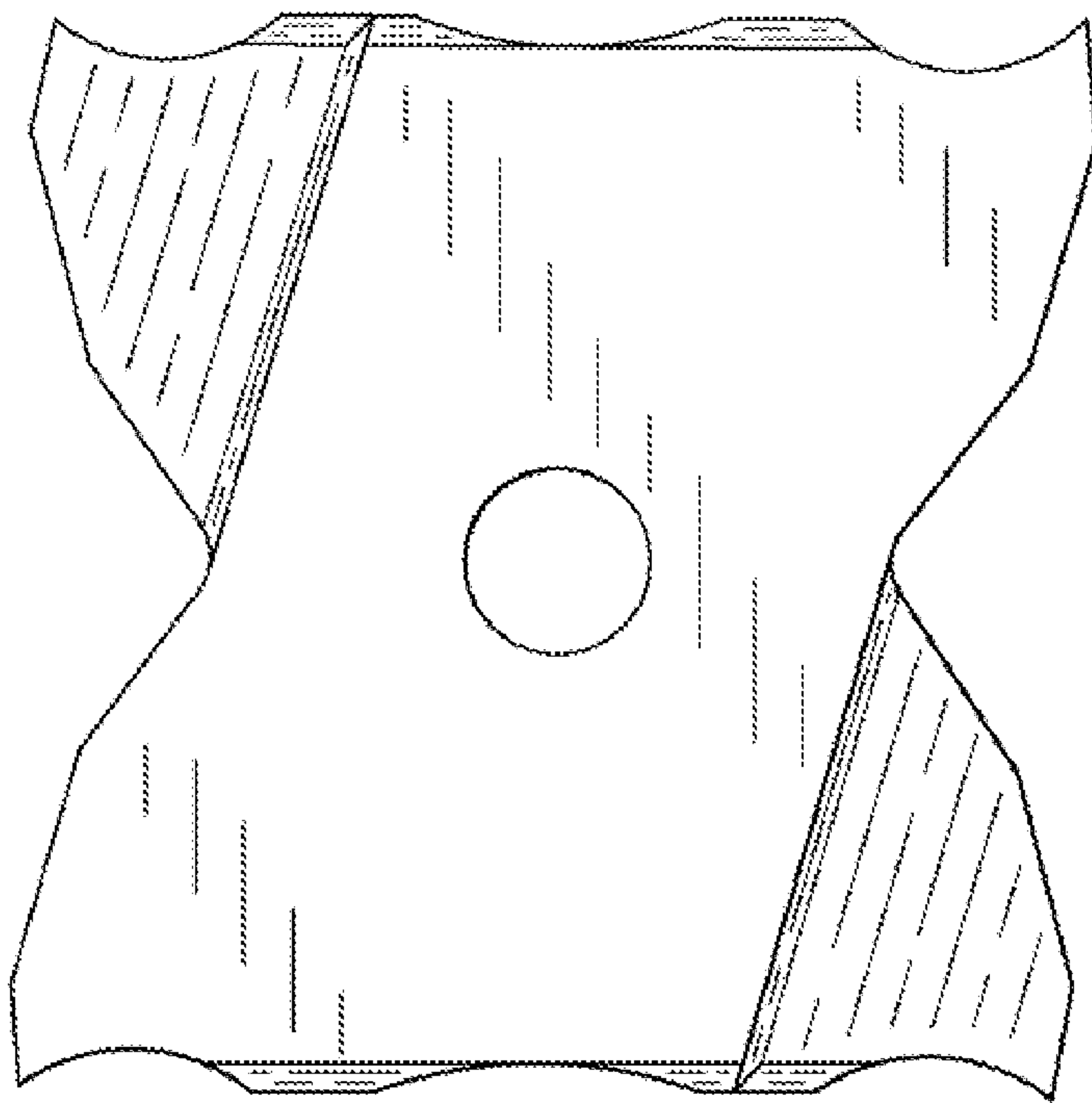
FIG. 2 is a side view of the cutting insert for metal chip removal;

FIG. 3 is a top perspective view of the cutting insert for metal chip removal; and,

FIG. 4 is a bottom perspective view of the cutting insert for metal chip removal.

**1 Claim, 2 Drawing Sheets**

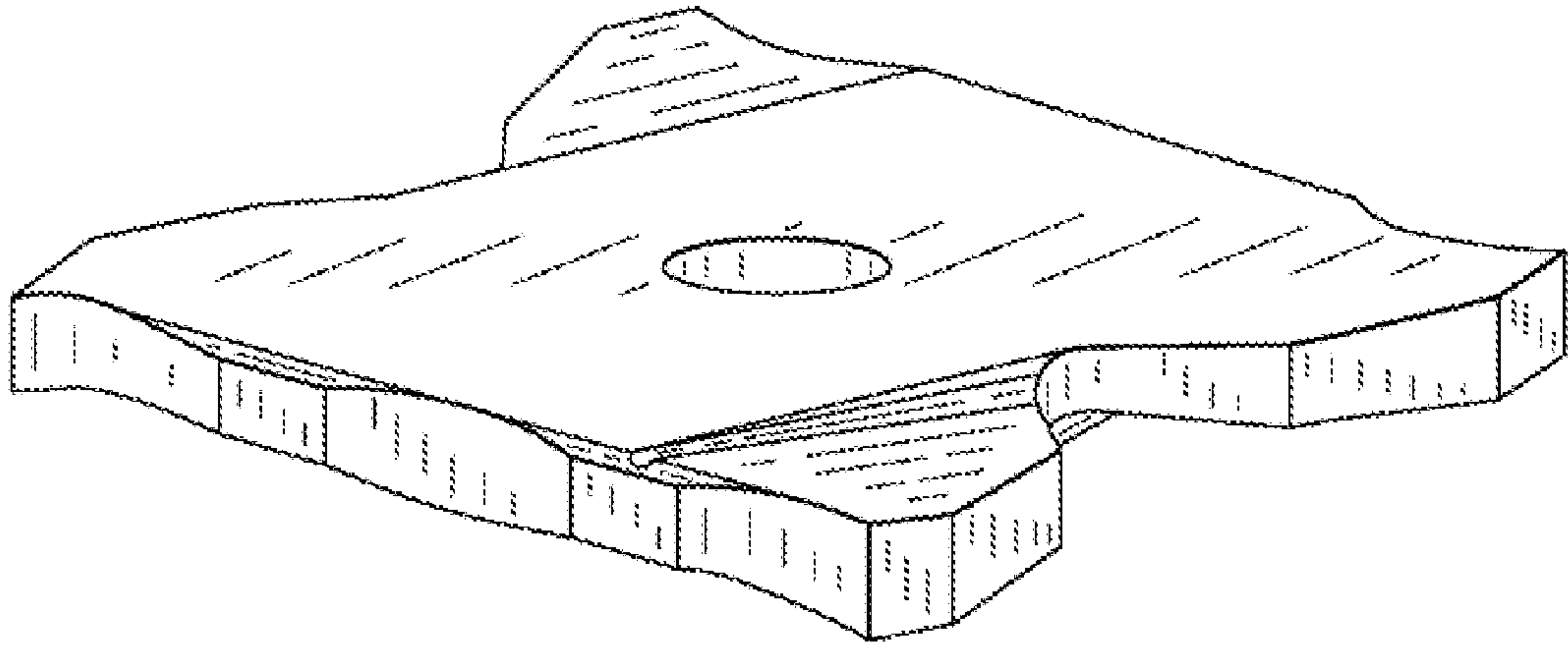




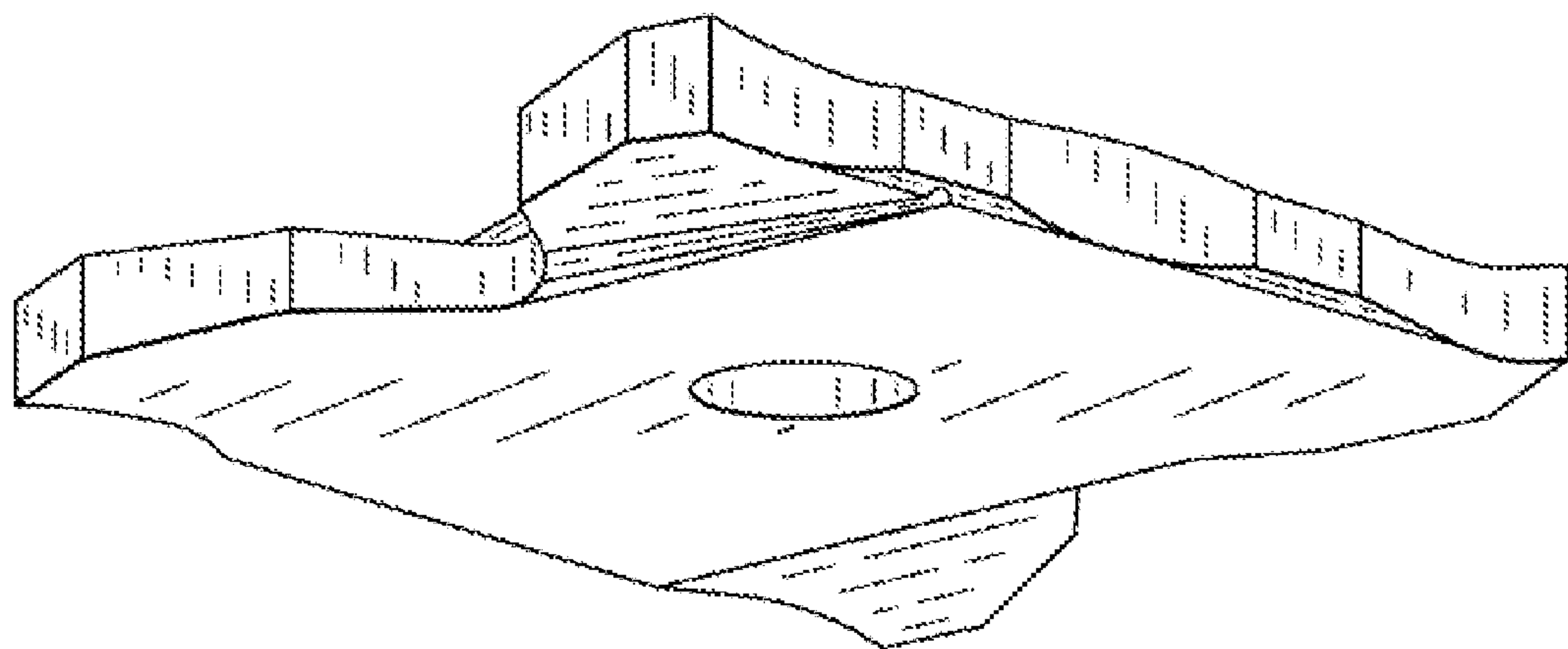
**FIG. 1**



**FIG. 2**



**FIG. 3**



**FIG. 4**