



US00D584749S

(12) **United States Design Patent**
Smith et al.

(10) **Patent No.:** **US D584,749 S**
(45) **Date of Patent:** **** Jan. 13, 2009**

(54) **FRONT END LOADER**

(75) Inventors: **Tim Smith**, Forest Reefs (AU); **Daniel Webb**, Forest Reefs (AU); **Craig Healey**, Orange (AU); **Collin O'Shaughnessy**, Borenore (AU); **John Healey**, Orange (AU)

(73) Assignee: **Challenge Implements Holdings Pty Limited**, Orange New South Wales (AU)

(**) Term: **14 Years**

(21) Appl. No.: **29/305,730**

(22) Filed: **Mar. 27, 2008**

5,639,205	A *	6/1997	Kaczmarczyk et al.	414/723
D410,240	S *	5/1999	Sasaki	D15/32
D412,913	S *	8/1999	Sasaki	D15/32
6,158,949	A *	12/2000	Walth et al.	414/722
D451,105	S *	11/2001	Masumoto et al.	D15/28
6,349,489	B1 *	2/2002	Sasaki et al.	37/443
D459,368	S *	6/2002	Westendorf et al.	D15/32
6,487,797	B1 *	12/2002	Inoue et al.	37/188
6,536,652	B2 *	3/2003	Sasaki et al.	228/173.6
6,606,805	B2 *	8/2003	Kimble et al.	37/468
6,637,111	B2 *	10/2003	Sasaki et al.	29/891
D507,044	S *	7/2005	Sutopo	D15/32
6,986,634	B2 *	1/2006	Westendorf et al.	414/686
6,996,926	B2 *	2/2006	Fatemi	37/468
7,001,133	B2 *	2/2006	Muramoto	414/686

(Continued)

(30) **Foreign Application Priority Data**

Sep. 28, 2007 (AU) 19995/2007

(51) **LOC (9) Cl.** **15-03**

(52) **U.S. Cl.** **D15/28; D15/32**

(58) **Field of Classification Search** D15/10,
D15/22-25, 28, 32; D34/36; 37/304, 468;
172/272-275; 212/347; 180/89.1, 311, 89.12,
180/89.13; 414/685-688, 722-724, 540,
414/559, 694, 708, 918, 680, 800, 698, 699,
414/713

See application file for complete search history.

(56) **References Cited**

U.S. PATENT DOCUMENTS

3,254,780	A *	6/1966	Midtbo	414/715
4,033,469	A *	7/1977	Frank	414/686
4,161,369	A *	7/1979	Moreno	414/722
4,266,906	A *	5/1981	Langenfeld et al.	414/686
4,383,793	A *	5/1983	Weir	414/686
4,480,955	A *	11/1984	Andrews et al.	414/723
4,538,955	A *	9/1985	Langenfeld et al.	414/686
4,576,543	A *	3/1986	Kuchyt et al.	414/722
D294,032	S *	2/1988	Whiffin	D15/25
4,793,764	A *	12/1988	Hamm	414/686
5,152,659	A *	10/1992	Waka	414/722
D339,813	S *	9/1993	Houkom	D15/32
5,245,770	A *	9/1993	Ko et al.	37/443
5,611,657	A *	3/1997	Peterson	414/722

FOREIGN PATENT DOCUMENTS

AU 303670 S 10/2005

Primary Examiner—Stella M Reid

Assistant Examiner—Mark A Goodwin

(74) *Attorney, Agent, or Firm*—Gordon & Jacobson, PC

(57) **CLAIM**

The ornamental design for a front end loader, as shown and described.

DESCRIPTION

FIG. 1 is a front perspective view of a front end loader showing our new design;

FIG. 2 is a left side view thereof;

FIG. 3 is a right side view thereof;

FIG. 4 is a front view thereof;

FIG. 5 is a rear view thereof;

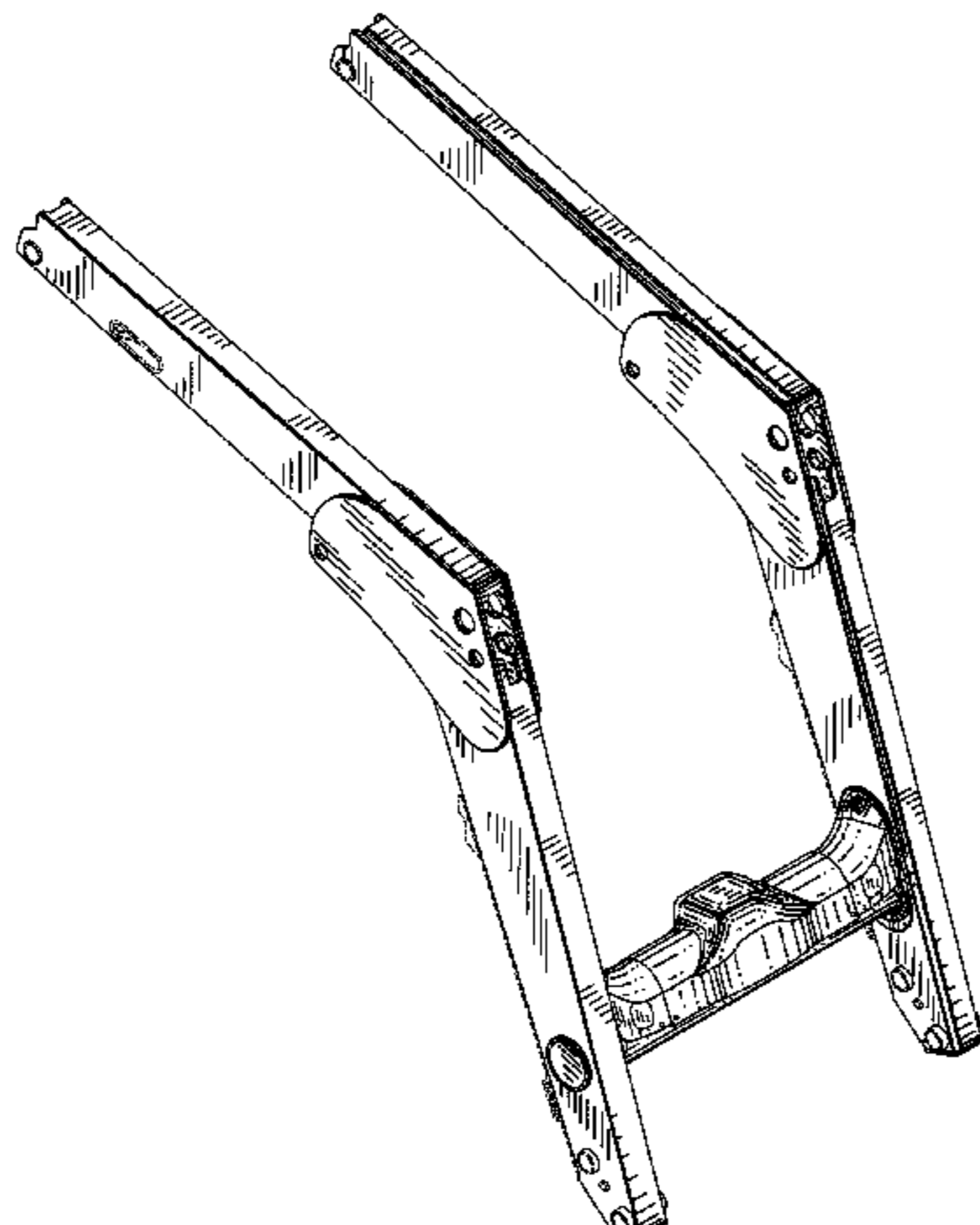
FIG. 6 is a top view thereof;

FIG. 7 is a bottom view thereof; and,

FIG. 8 is a rear perspective view thereof.

The broken line representations in the figures form no part of the claimed design.

1 Claim, 8 Drawing Sheets



US D584,749 S

Page 2

U.S. PATENT DOCUMENTS

D518,075	S *	3/2006	Westendorf et al.	D15/32	2004/0018078	A1 *	1/2004	Vicars et al.	414/900
7,014,411	B2 *	3/2006	Westendorf et al.	414/686	2004/0028514	A1 *	2/2004	Mimuro	414/685
D529,053	S *	9/2006	Stender et al.	D15/32	2004/0042888	A1 *	3/2004	Westendorf et al.	414/723
D533,883	S *	12/2006	Higashikawa et al.	D15/32	2005/0175438	A1 *	8/2005	Stender et al.	414/680
7,168,907	B2 *	1/2007	Lyons et al.	414/686	2006/0073003	A1 *	4/2006	Fukudome et al.	414/686
7,172,384	B1 *	2/2007	Westendorf et al.	414/686	2006/0107557	A1 *	5/2006	Fatemi	37/466
D538,829	S *	3/2007	Nilsson	D15/28	2006/0254096	A1 *	11/2006	Poire	37/468
2003/0118432	A1 *	6/2003	Lee	414/722	2007/0020078	A1 *	1/2007	Frey	414/686
2003/0126772	A1 *	7/2003	Masumoto et al.	37/466	2007/0031233	A1 *	2/2007	Frey	414/685
2003/0175105	A1 *	9/2003	Hilvers et al.	414/685	2007/0292255	A1 *	12/2007	Nilsson	414/686
2004/0000077	A1 *	1/2004	Fatemi	37/468	2008/0063502	A1 *	3/2008	Nilsson	414/685

* cited by examiner

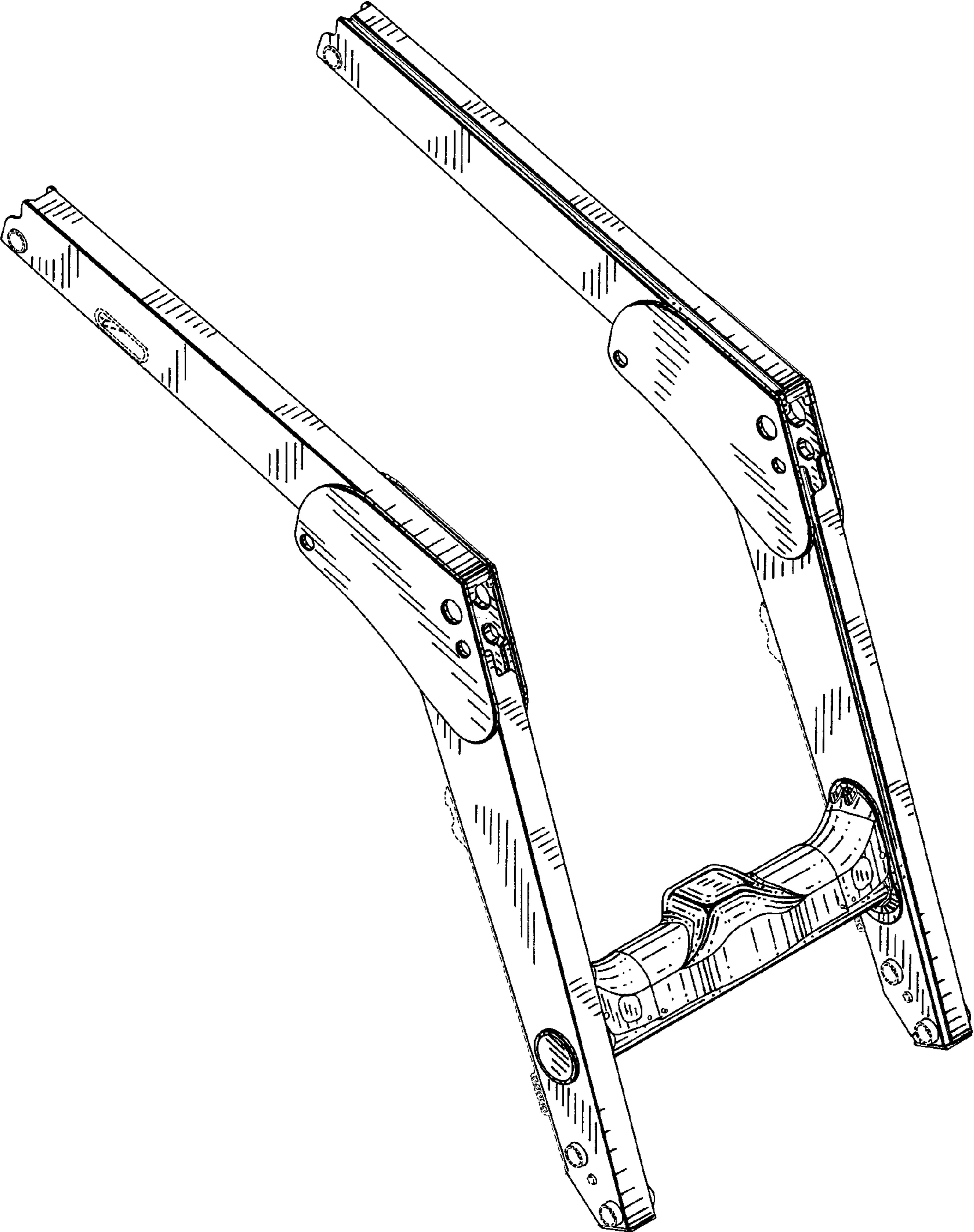


FIG. 1

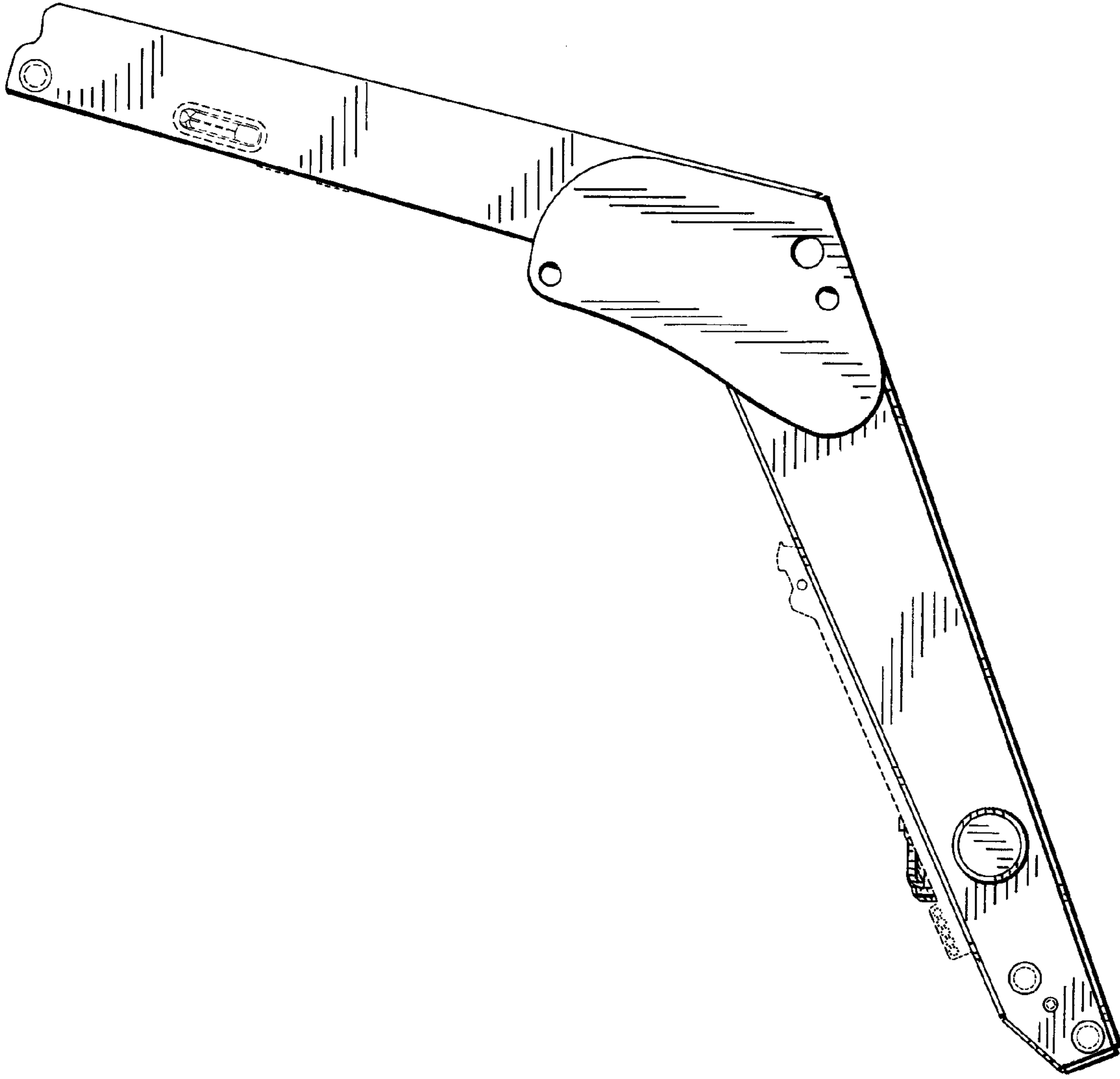


FIG.2

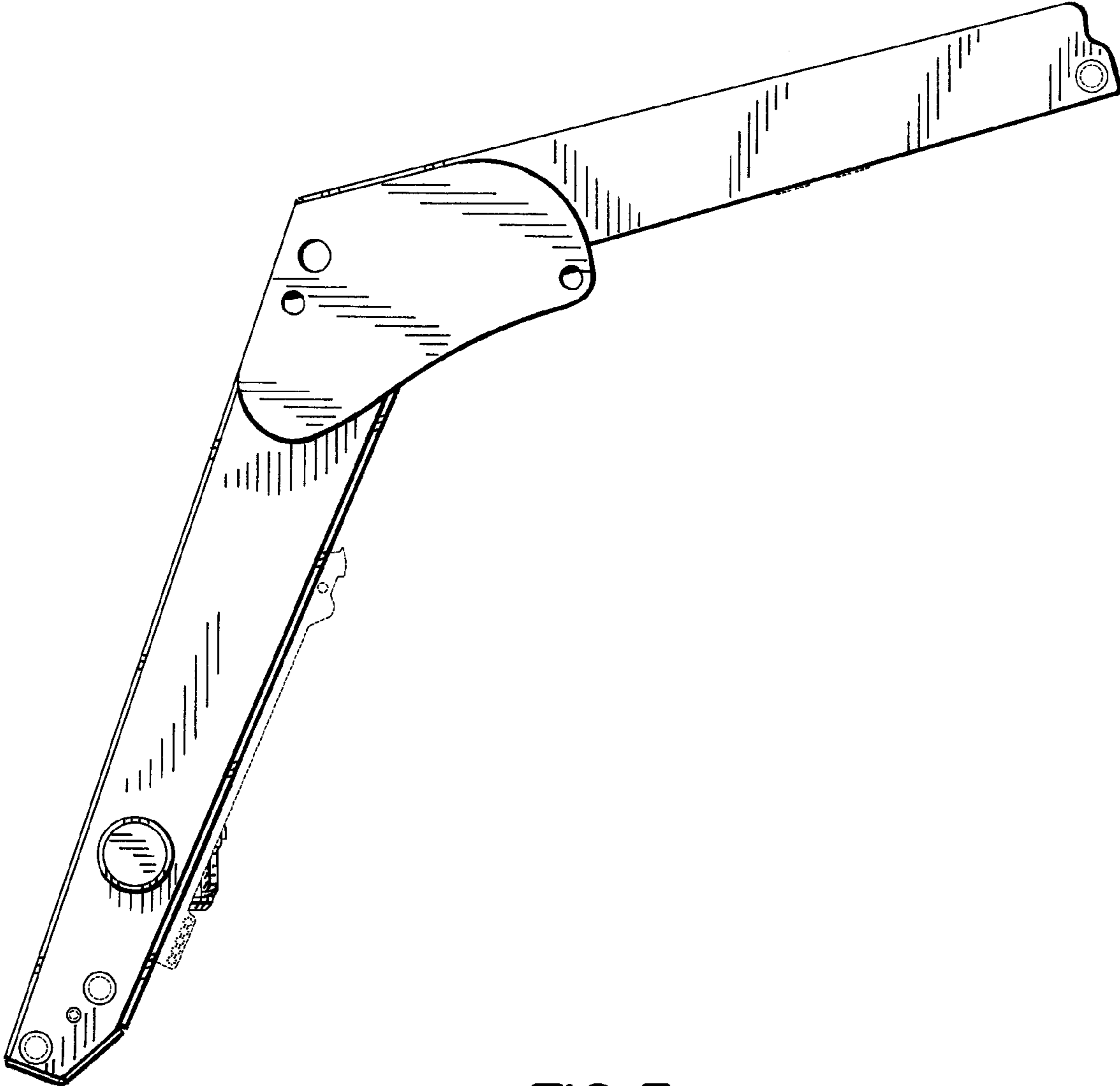


FIG.3

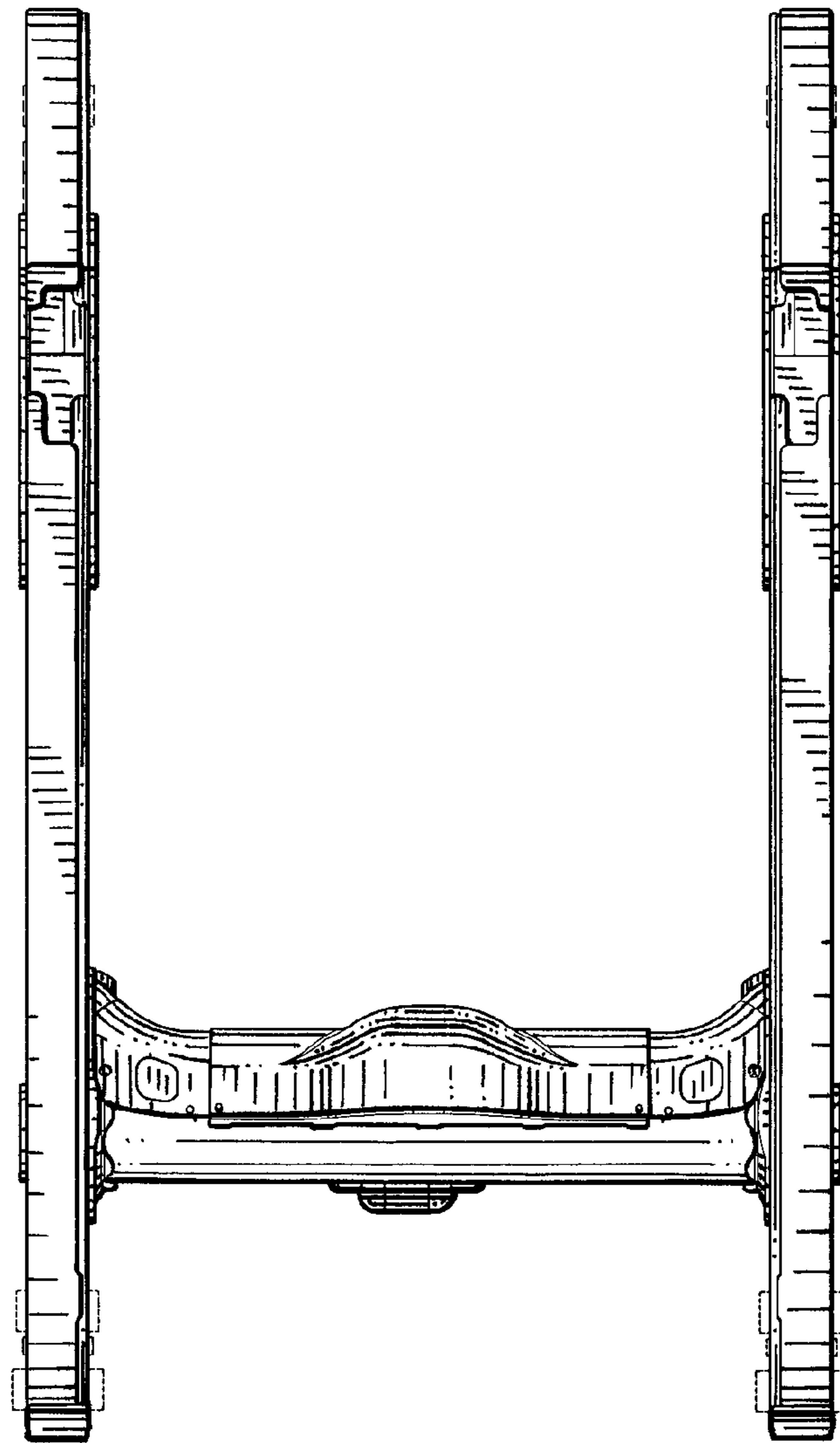


FIG.4

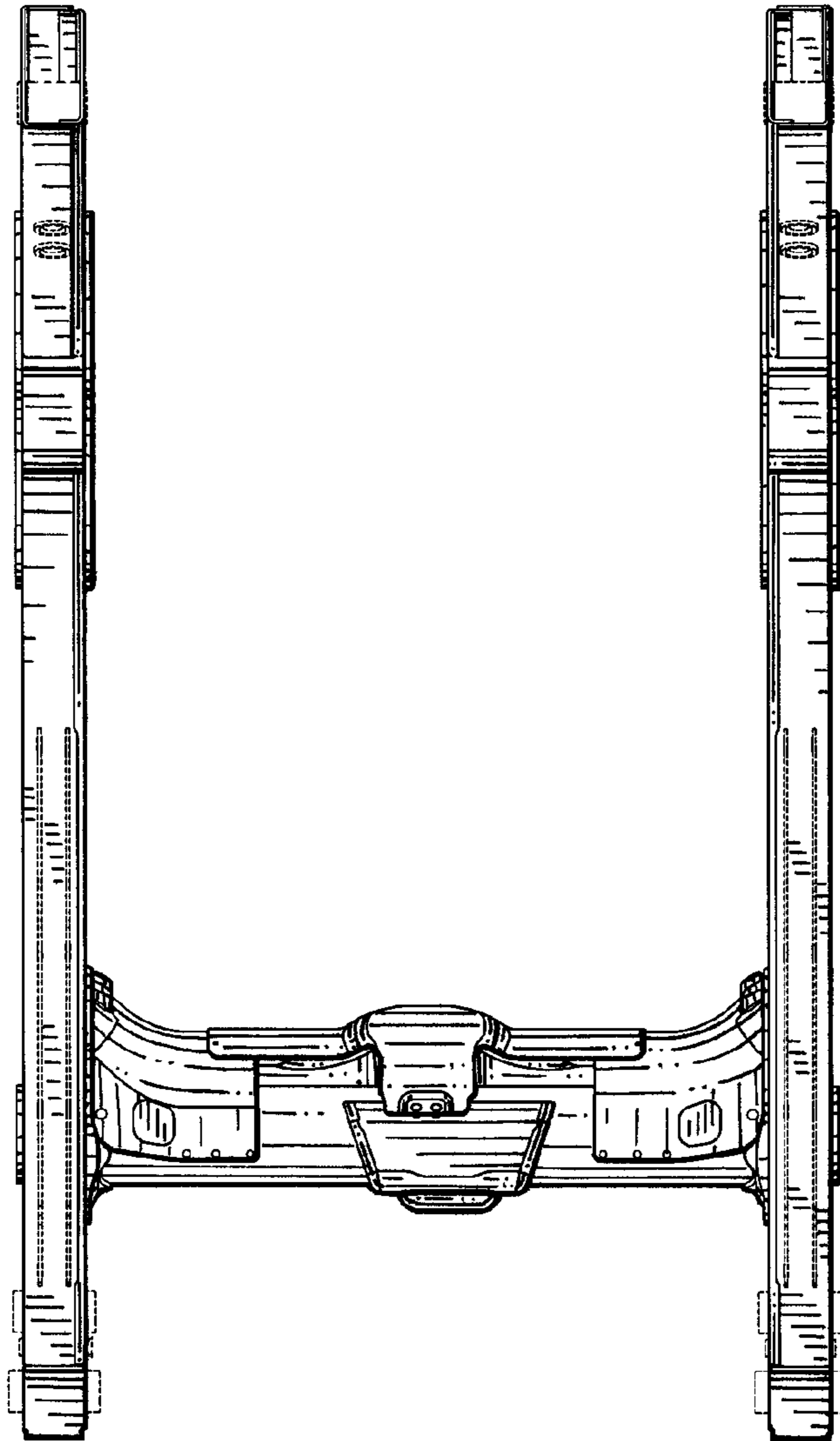


FIG.5

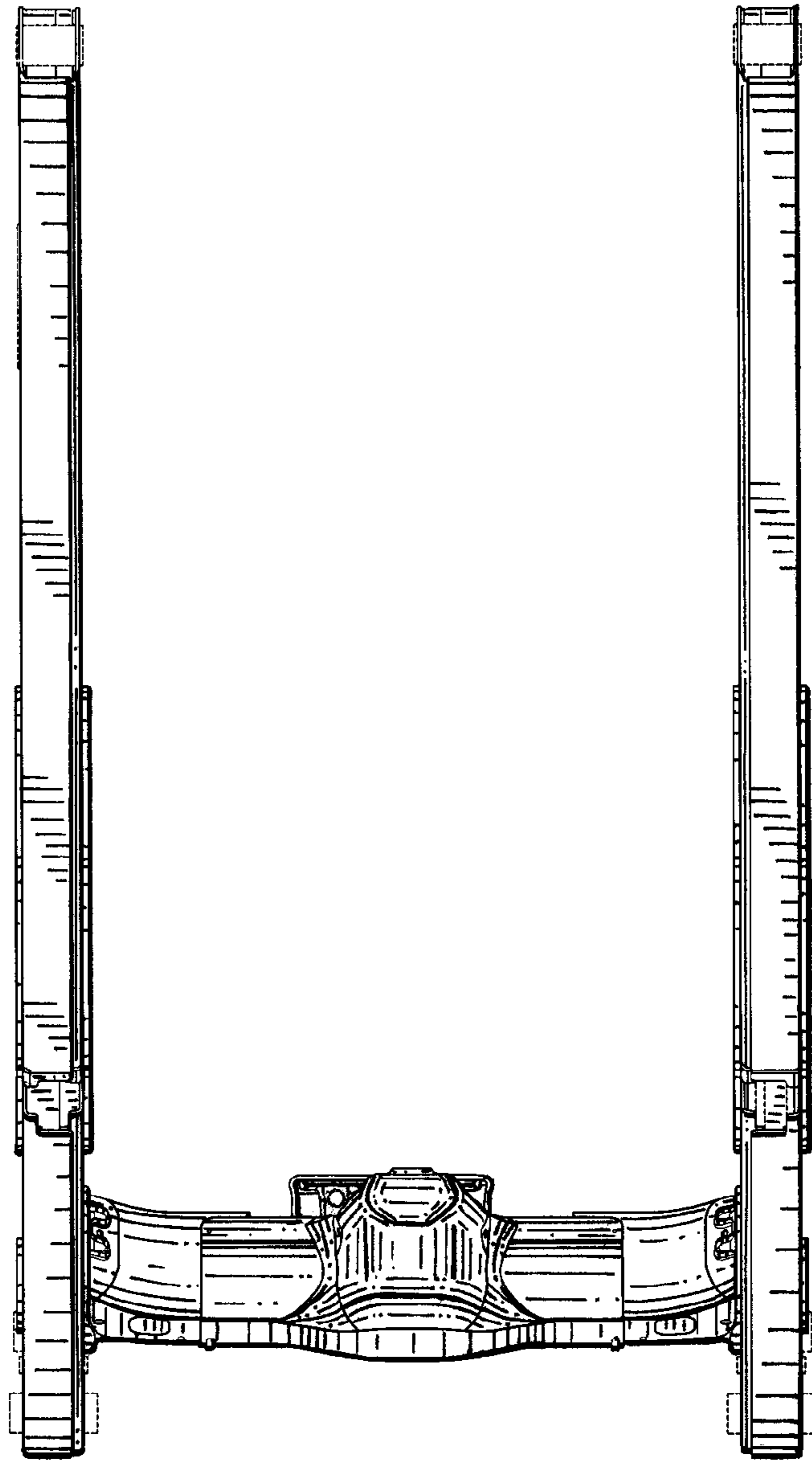


FIG.6

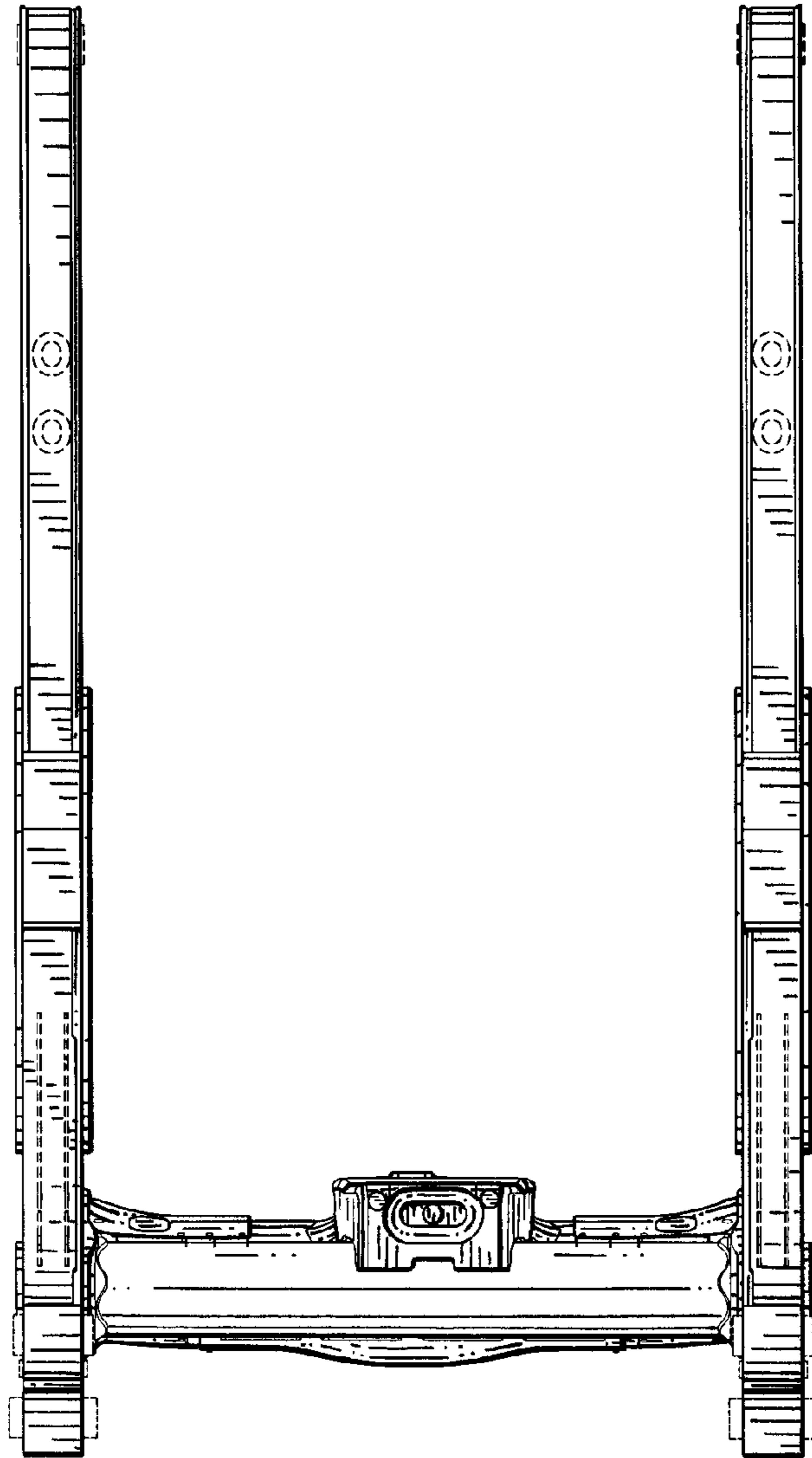


FIG. 7

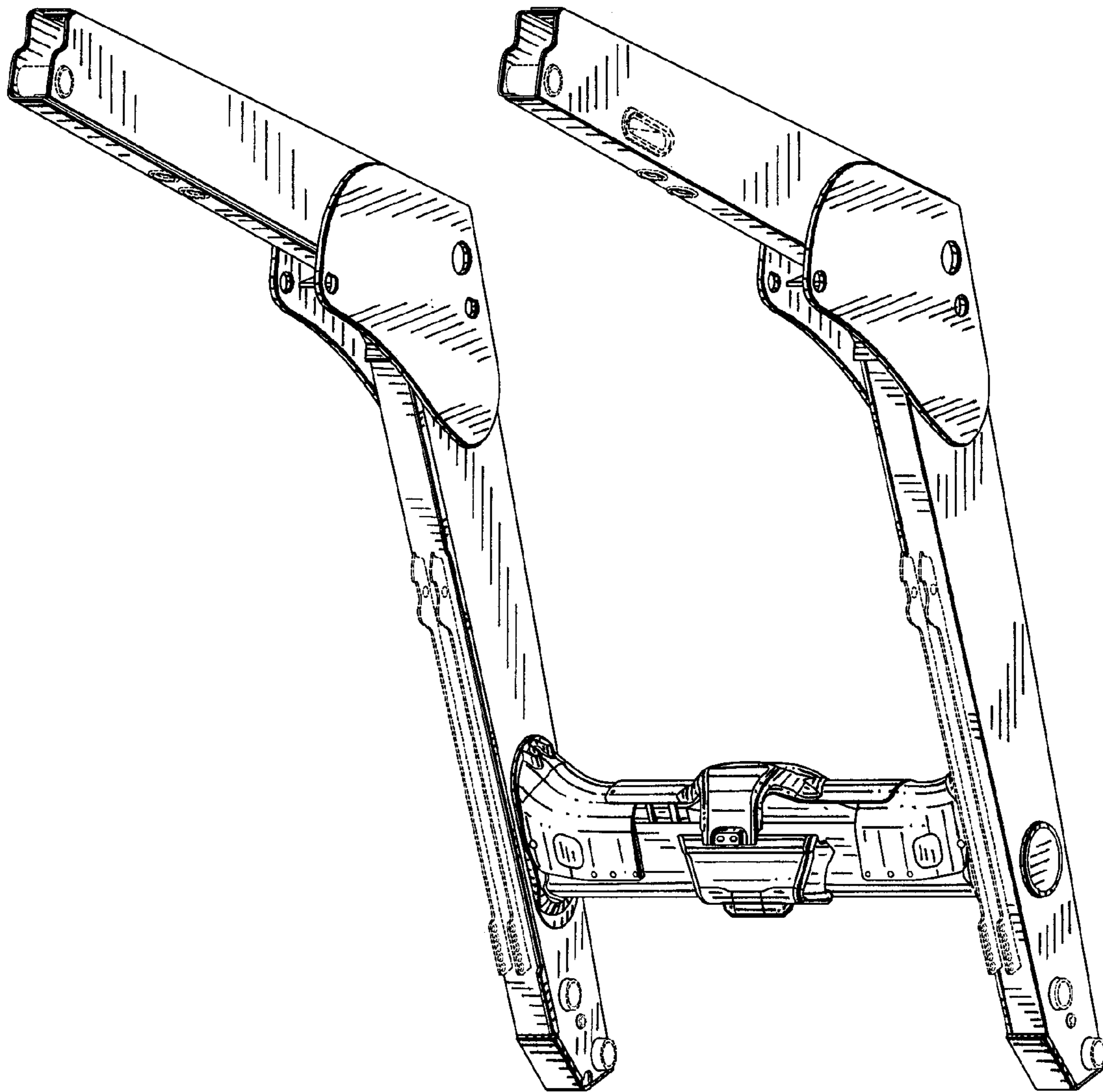


FIG. 8