



US00D584748S

(12) **United States Design Patent**
Locher

(10) **Patent No.:** **US D584,748 S**

(45) **Date of Patent:** **** Jan. 13, 2009**

(54) **CULTIVATOR**

(76) **Inventor:** **Charles C. Locher**, 1549 Piketon Rd.,
Lucasville, OH (US) 45468

(**) **Term:** **14 Years**

(21) **Appl. No.:** **29/307,016**

(22) **Filed:** **Mar. 28, 2008**

(51) **LOC (9) Cl.** **15-03**

(52) **U.S. Cl.** **D15/27**

(58) **Field of Classification Search** D15/11,
D15/17, 28, 33, 27; 172/703, 690, 685, 689,
172/162, 788, 779; 404/118

See application file for complete search history.

(56) **References Cited**

U.S. PATENT DOCUMENTS

9,747	A *	5/1853	Lupton	172/689
D22,692	S *	8/1893	Todd	D15/33
D24,317	S *	5/1895	Gromme	D15/33
D25,427	S *	4/1896	Tochtrop	D15/33
640,008	A *	12/1899	Miller	172/690
1,074,729	A *	10/1913	Moody	172/652
1,115,900	A *	11/1914	Cook	172/690
1,336,421	A *	4/1920	Burke	172/689
1,358,743	A *	11/1920	Howell	172/368
1,499,143	A *	6/1924	Barnard	172/345
1,578,774	A *	3/1926	Smith	172/690

2,137,982	A *	11/1938	Peak	172/241
2,156,729	A *	5/1939	Krause	172/689
2,772,616	A *	12/1956	Gonzalez	172/444
D198,329	S *	6/1964	Ellis	D15/11
D251,562	S *	4/1979	Hansen	D15/33
5,862,764	A *	1/1999	Umemoto	111/127

* cited by examiner

Primary Examiner—Stella M Reid

Assistant Examiner—Mark A Goodwin

(74) *Attorney, Agent, or Firm*—Neal O. Willmann

(57) **CLAIM**

The ornamental design for a cultivator, as shown and described.

DESCRIPTION

FIG. 1 is a top plan view of a cultivator showing my new design, the bottom plan view being identical;

FIG. 2 is a left side elevational view thereof, the right side being a mirror image;

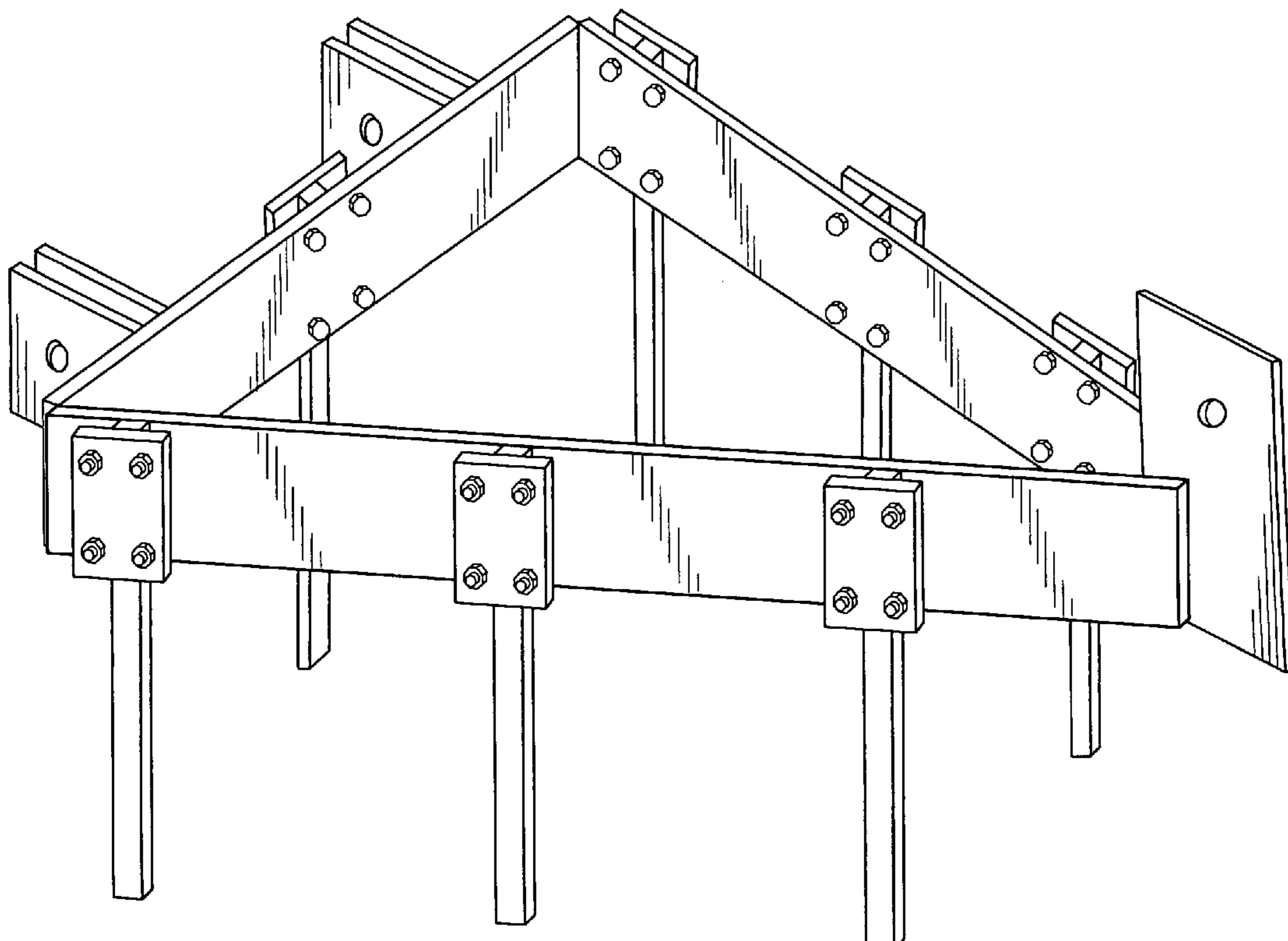
FIG. 3 is a front elevational view thereof;

FIG. 4 is a back elevational view thereof;

FIG. 5 is a perspective view thereof; and,

FIG. 6 is a the left side elevational view of FIG. 2 with attachment means shown in phantom for illustrative purposes only and forming no part of the claimed design.

1 Claim, 5 Drawing Sheets



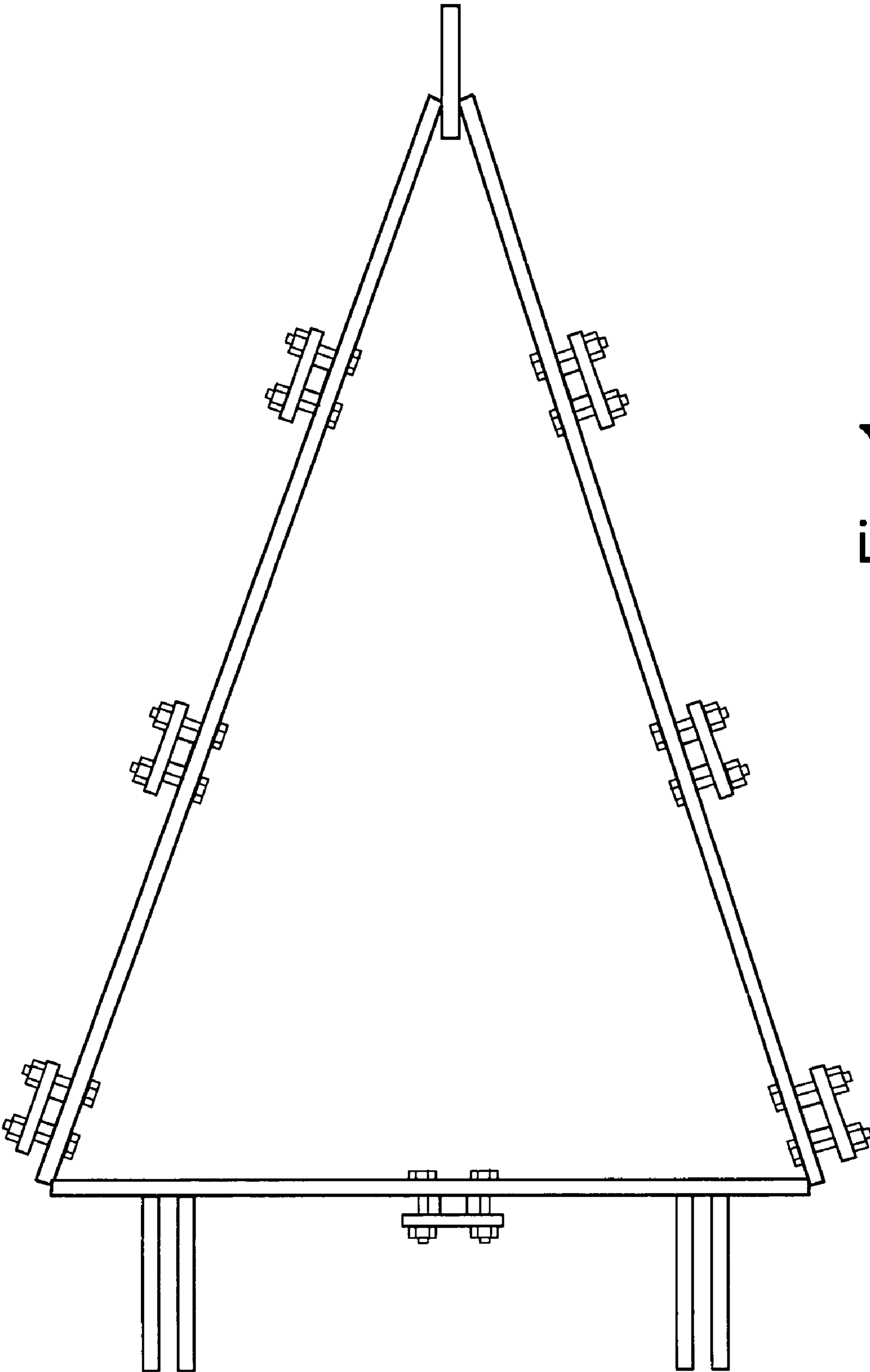


Fig. 1

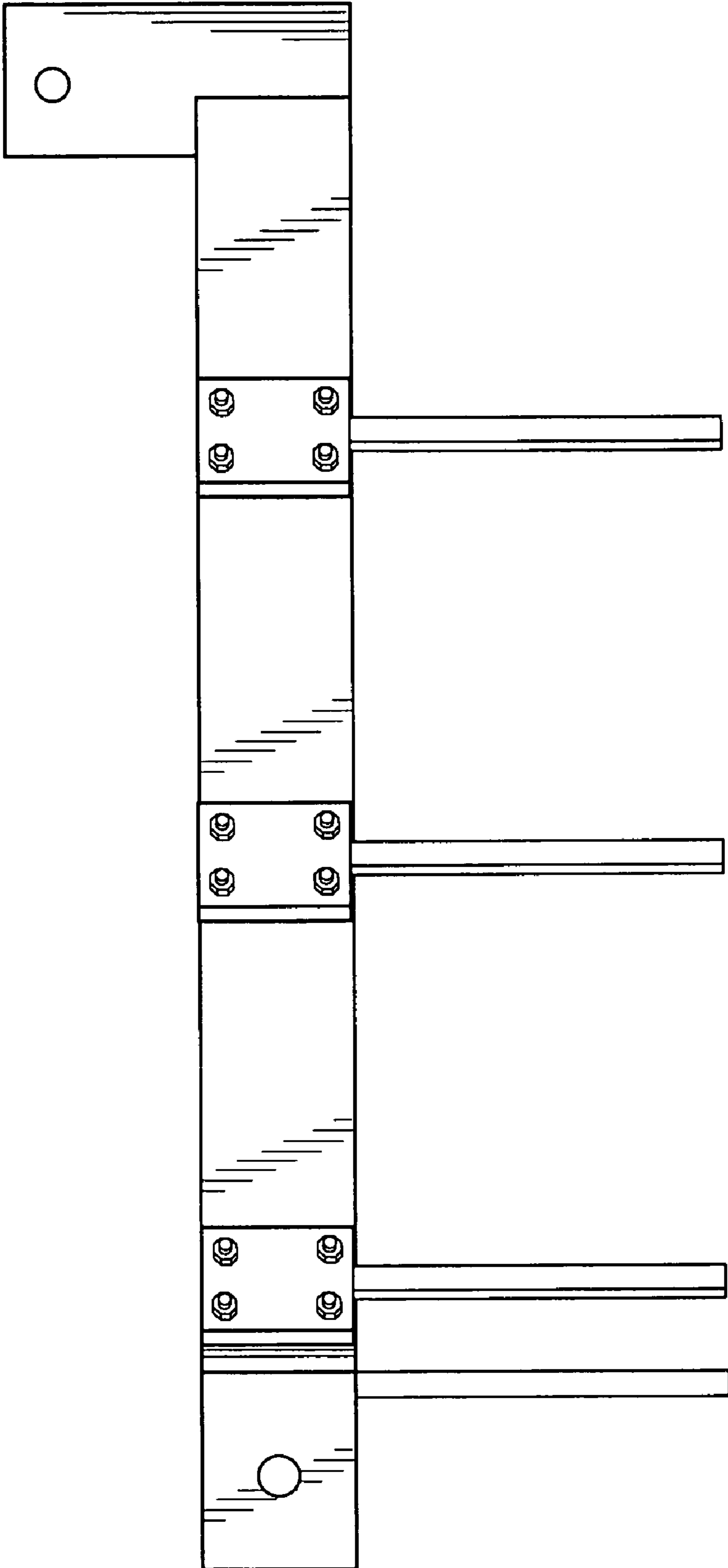


Fig. 2

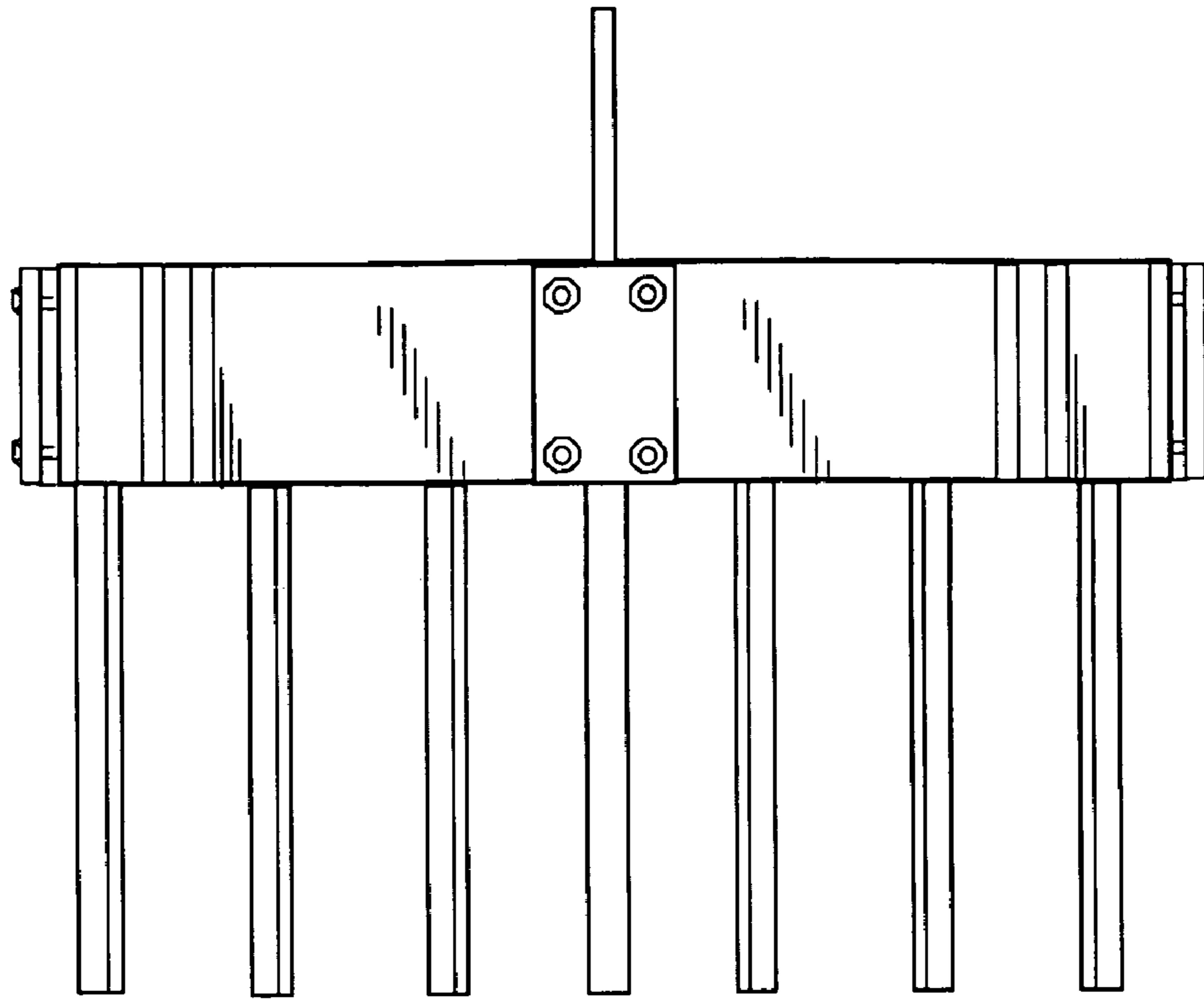


Fig. 3

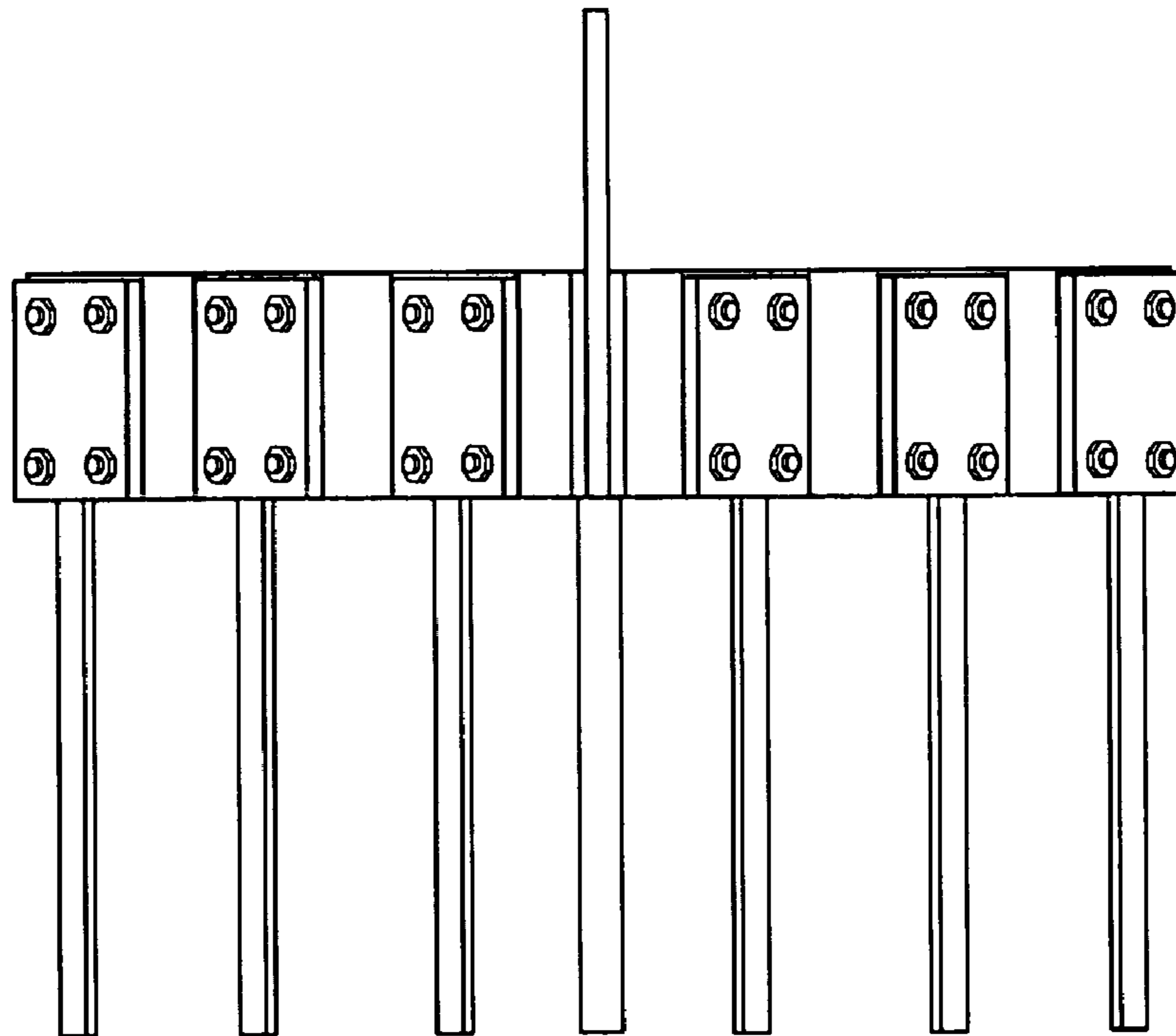


Fig. 4

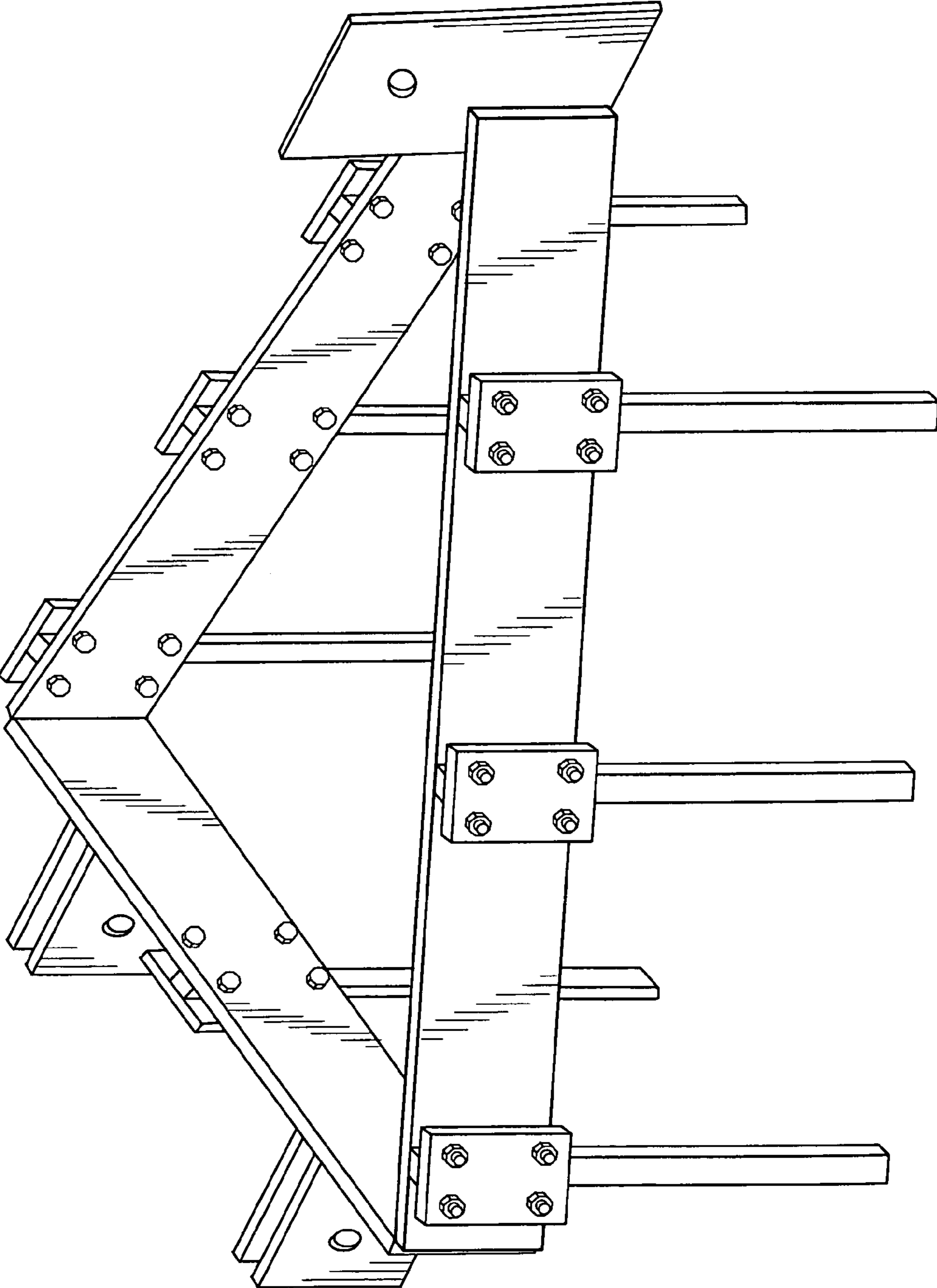


Fig. 5

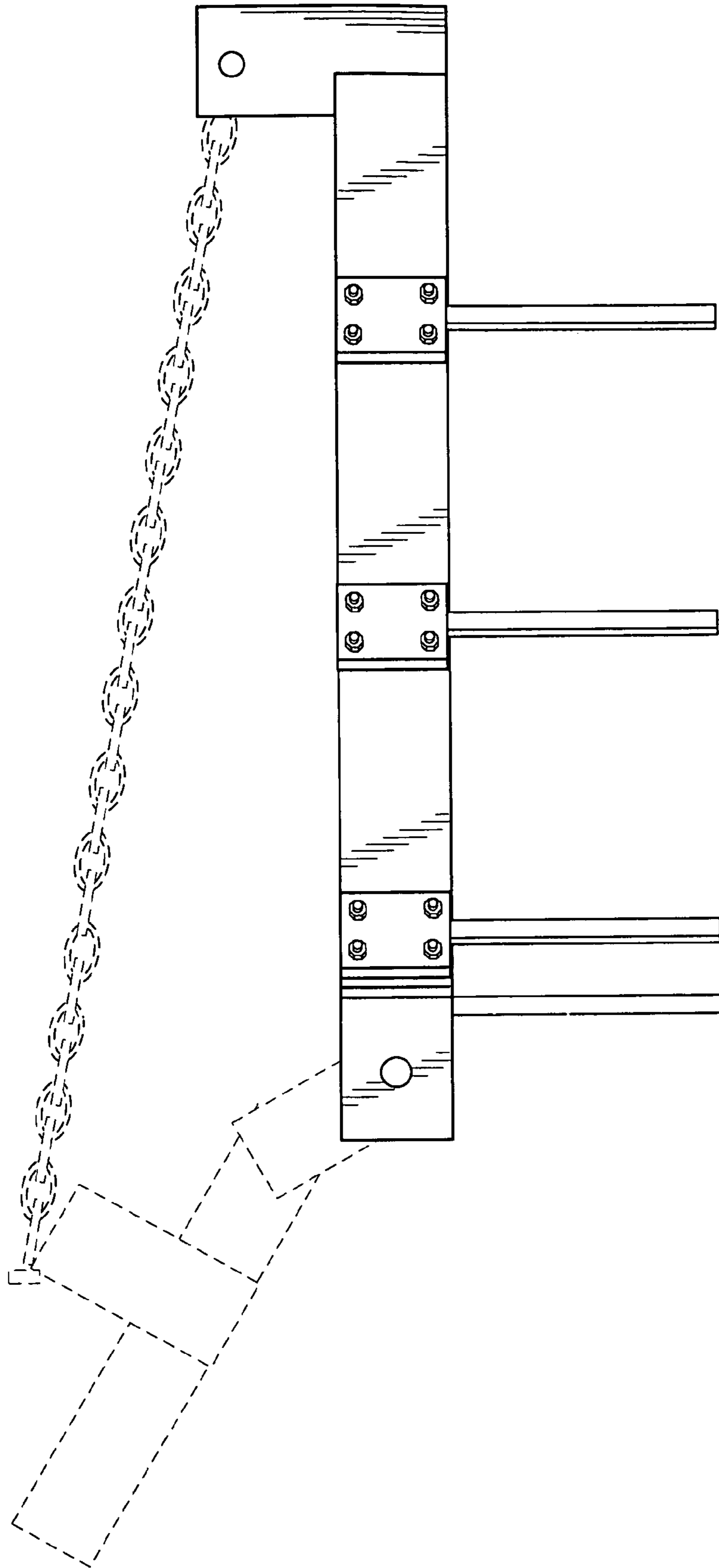


Fig. 6