



US00D584747S

(12) **United States Design Patent**  
**Sprinkmann et al.**

(10) **Patent No.:** **US D584,747 S**  
(45) **Date of Patent:** **\*\* Jan. 13, 2009**

(54) **LAWN STRIPING ASSEMBLY COVER**

(75) Inventors: **Steven Andrew Sprinkmann**,  
Germantown, WI (US); **Stefan Michael**  
**Behling**, Brookfield, WI (US); **Dale**  
**Selsor Di Iulio**, Saukville, WI (US);  
**Scott Howard Micoley**, Cedarburg, WI  
(US)

(73) Assignee: **S&B Lawn Systems, Inc.**, Brookfield,  
WI (US)

(\*\*) Term: **14 Years**

(21) Appl. No.: **29/306,230**

(22) Filed: **Apr. 4, 2008**

(51) **LOC (9) Cl.** ..... **15-03**

(52) **U.S. Cl.** ..... **D15/17**

(58) **Field of Classification Search** ..... D15/11,  
D15/13, 17, 28, 27; 56/17.4, 320.1, 16.7,  
56/DIG. 20, DIG. 24

See application file for complete search history.

(56) **References Cited**

U.S. PATENT DOCUMENTS

D164,362	S	*	8/1951	Gaddis	.....	D15/13
2,973,613	A	*	3/1961	Hagedorn	.....	56/10.5
3,402,535	A	*	9/1968	Nelson	.....	56/320.1
3,537,720	A	*	11/1970	Irgens	.....	280/43
3,555,793	A	*	1/1971	Chapman	.....	56/17.4
D239,311	S	*	3/1976	Cognata	.....	D15/17

4,638,622	A	*	1/1987	Smith	.....	56/17.4
D329,652	S	*	9/1992	Killian	.....	D15/13
5,261,213	A	*	11/1993	Humphrey	.....	56/2
D354,964	S	*	1/1995	Reichle	.....	D15/17
5,870,888	A	*	2/1999	Pugh	.....	56/16.7
6,047,530	A	*	4/2000	Bednar	.....	56/6
6,523,335	B2	*	2/2003	Vanderipe	.....	56/16.7

\* cited by examiner

*Primary Examiner*—Stella M Reid

*Assistant Examiner*—Mark A Goodwin

(74) *Attorney, Agent, or Firm*—Wells St. John P.S.

(57) **CLAIM**

We claim the ornamental design for a lawn striping assembly cover, as shown and described.

**DESCRIPTION**

FIG. 1 is a top perspective view of the lawn striping assembly cover showing our new design;

FIG. 2 is a top view thereof;

FIG. 3 is a bottom view thereof;

FIG. 4 is a front view thereof;

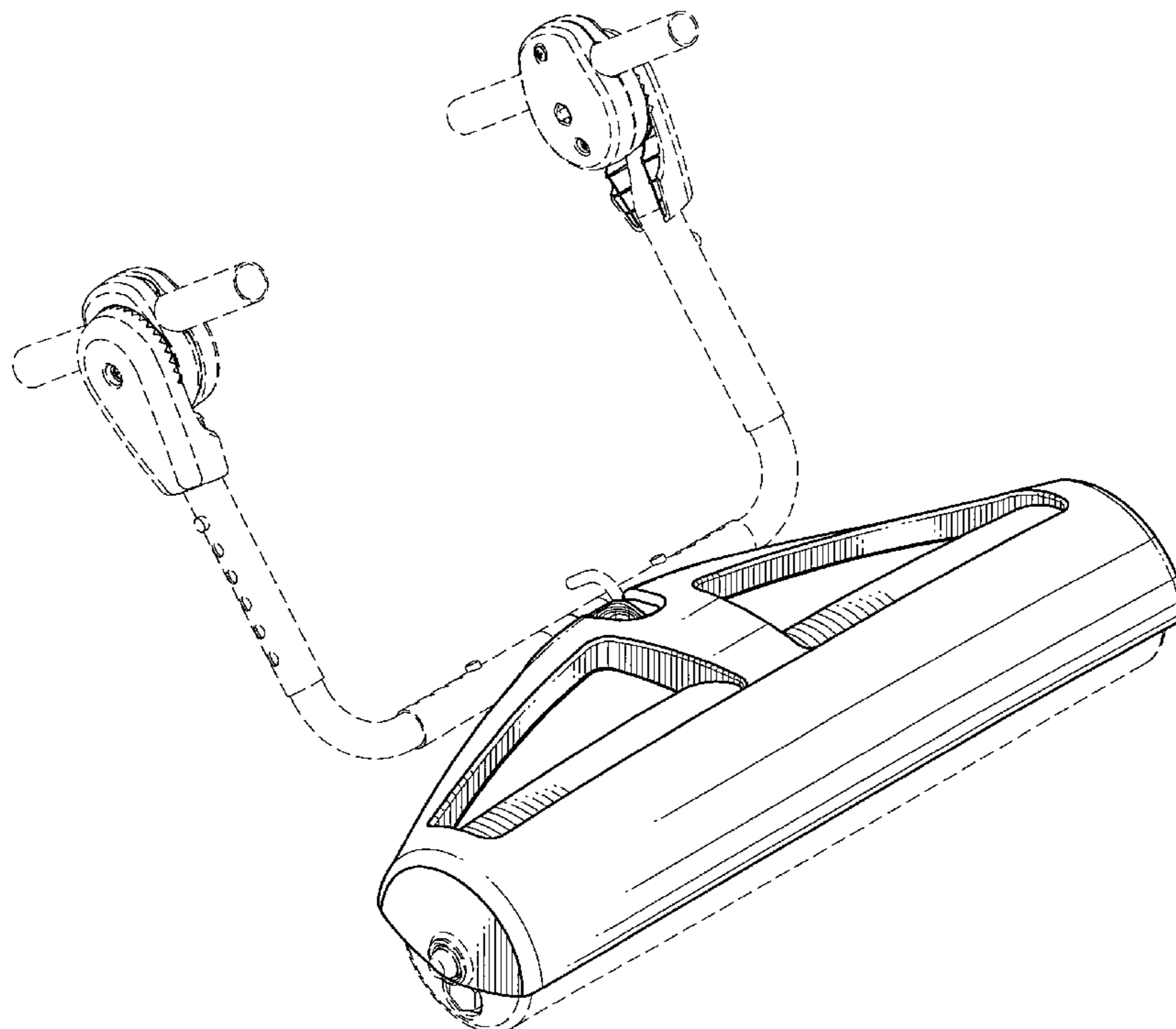
FIG. 5 is a rear view thereof;

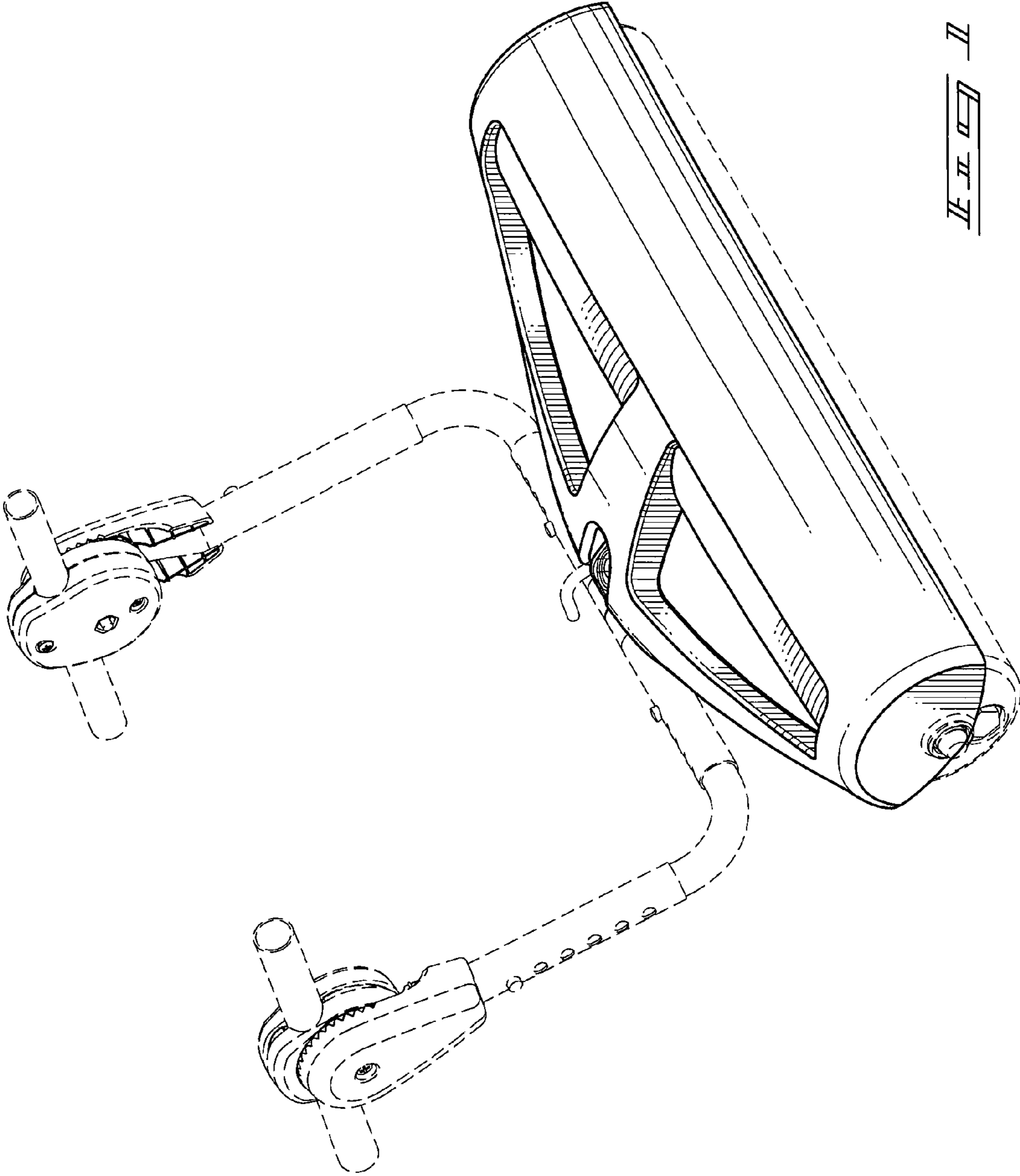
FIG. 6 is a side view thereof; and,

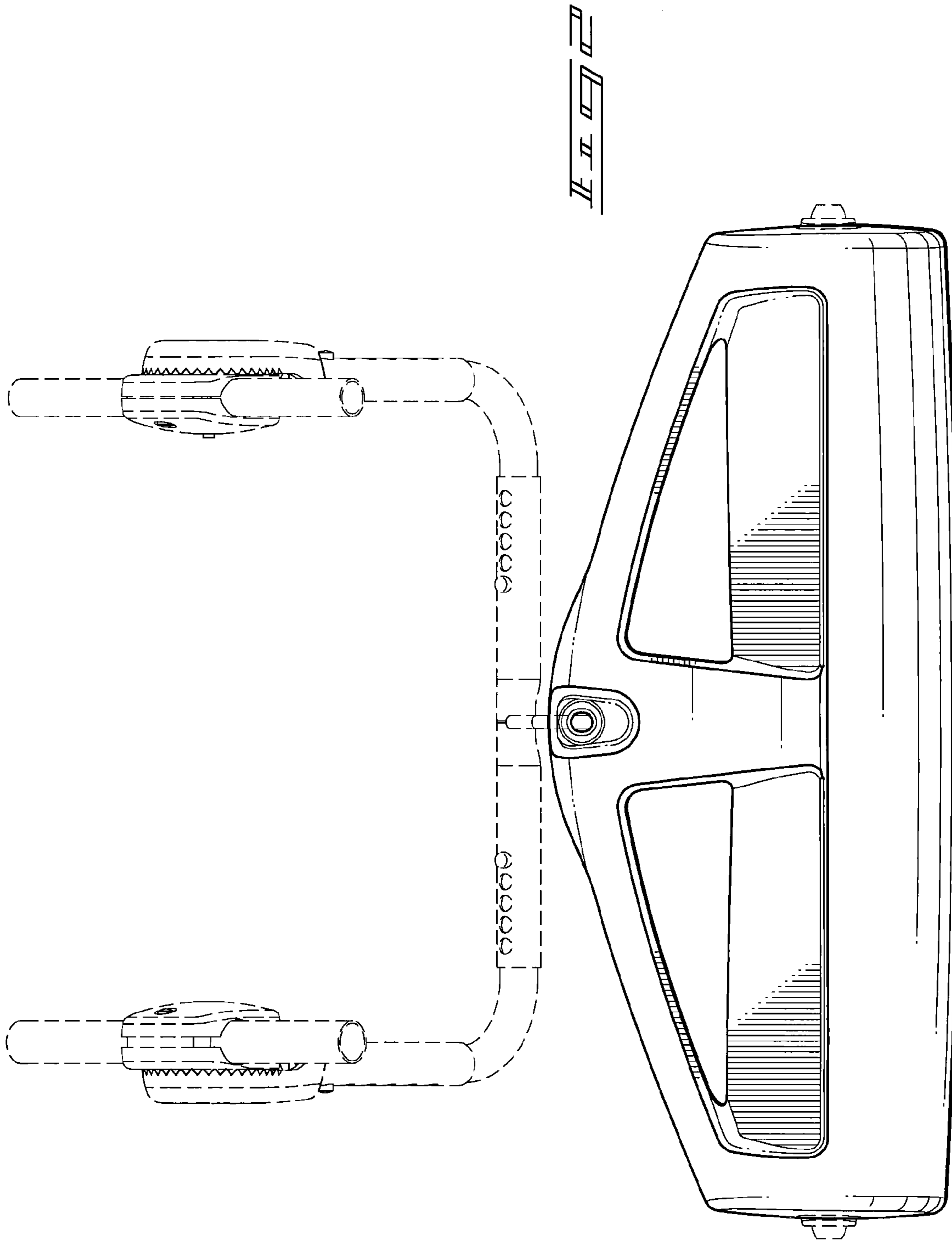
FIG. 7 is an opposite side view thereof.

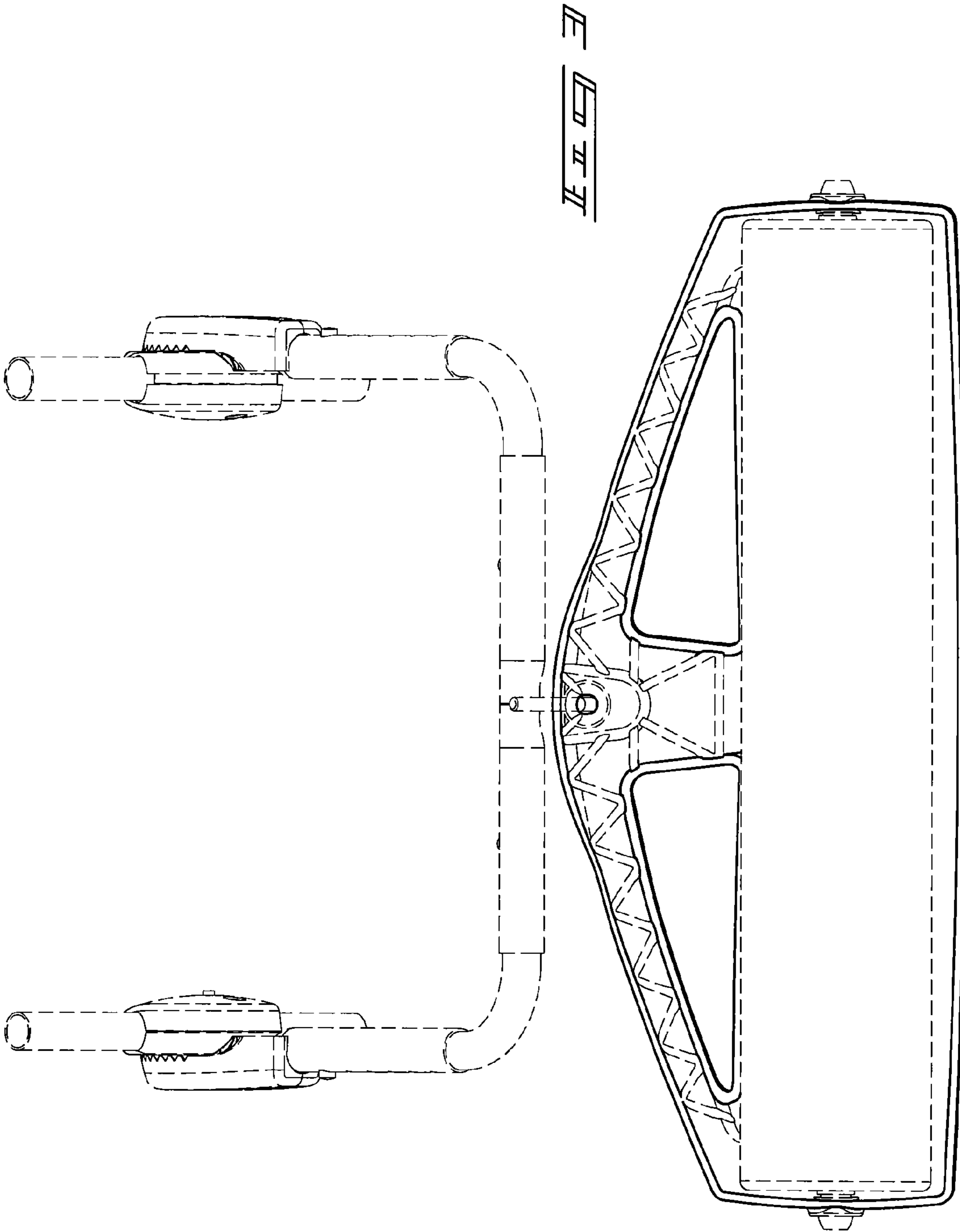
The broken line showing of a tow bar and roller in FIGS. 1–7 is included for the purpose of illustrating environmental structure and forms no part of the claimed design.

**1 Claim, 7 Drawing Sheets**









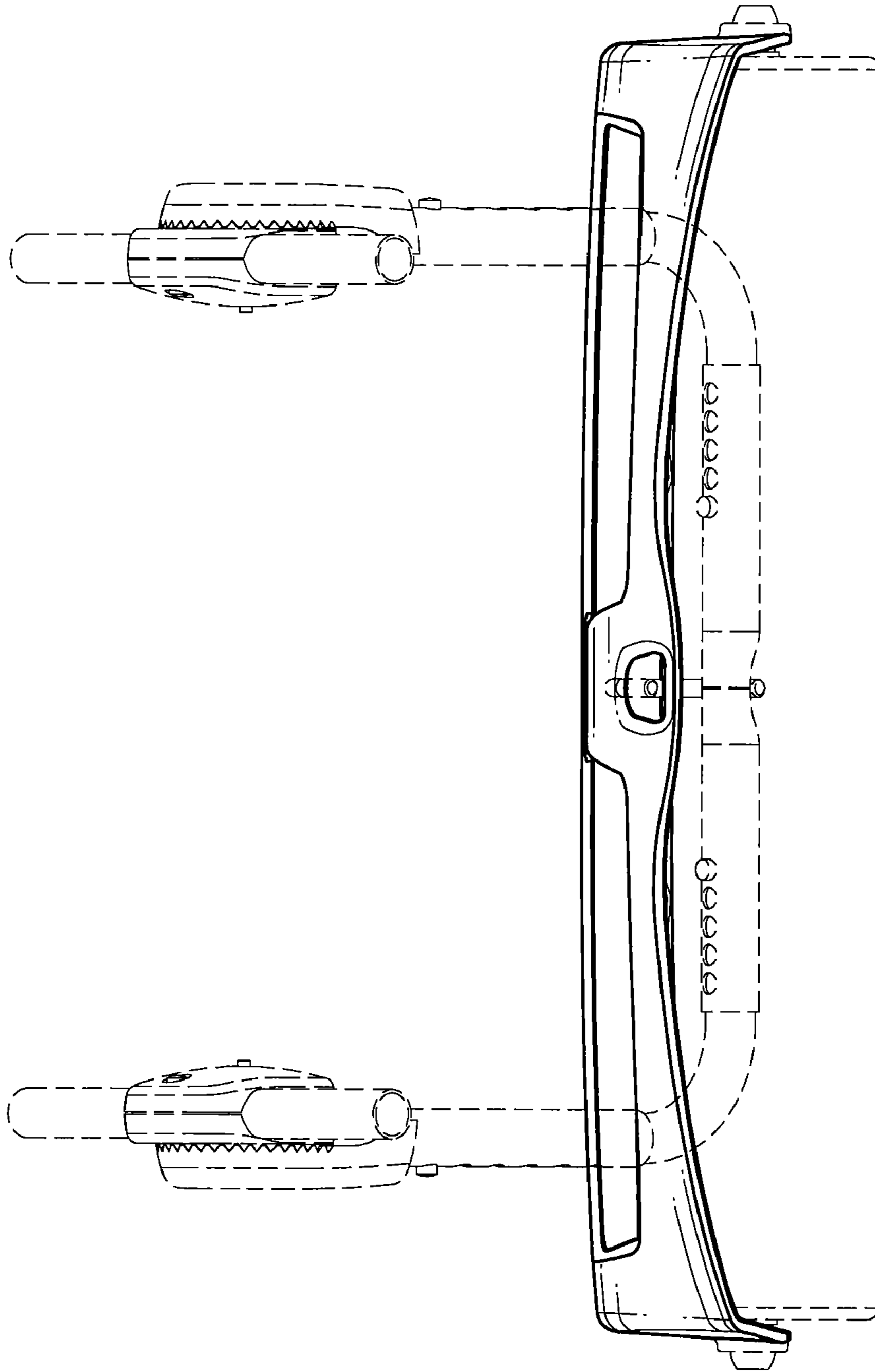


FIG. 4

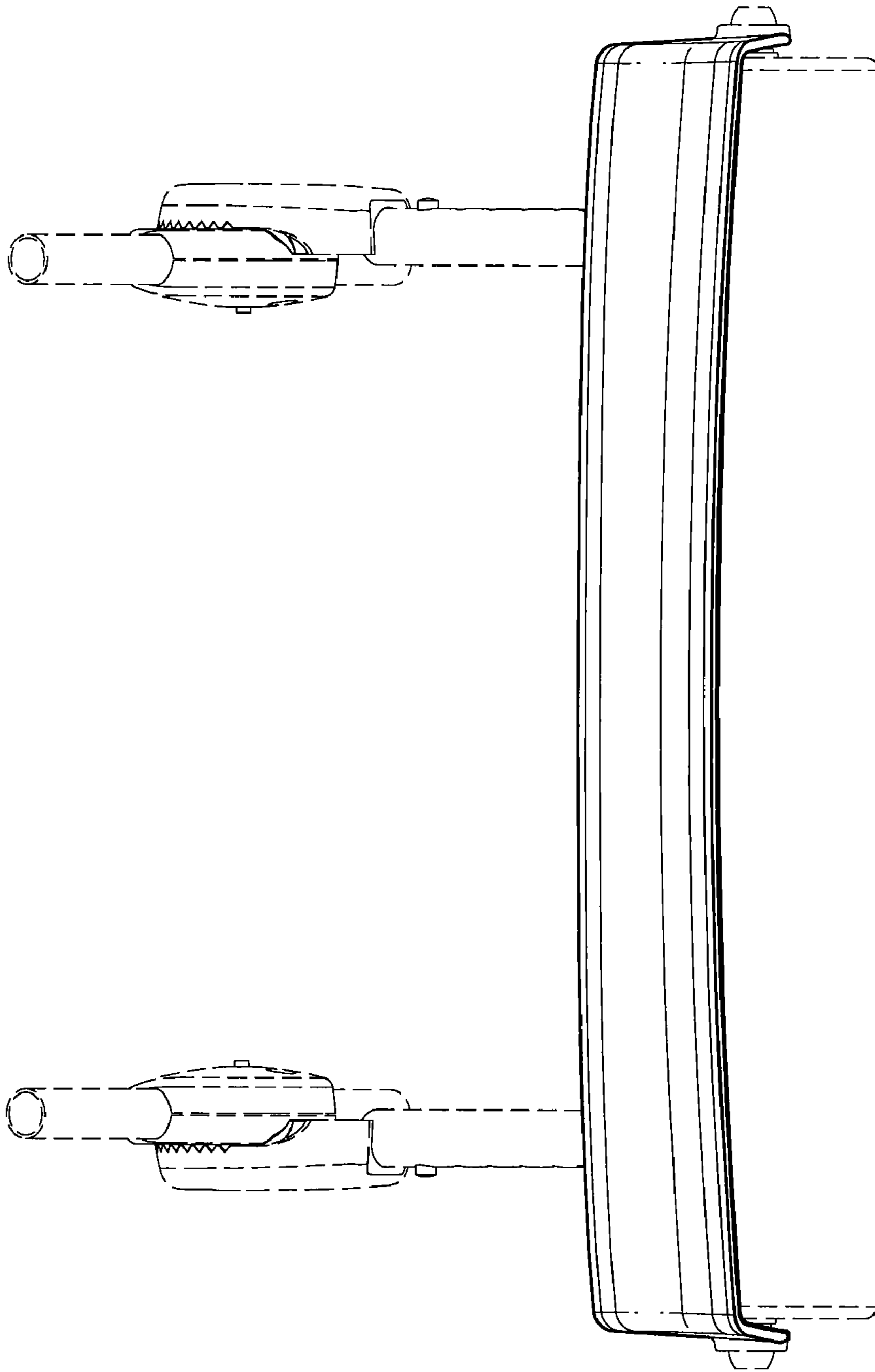


FIG. 5

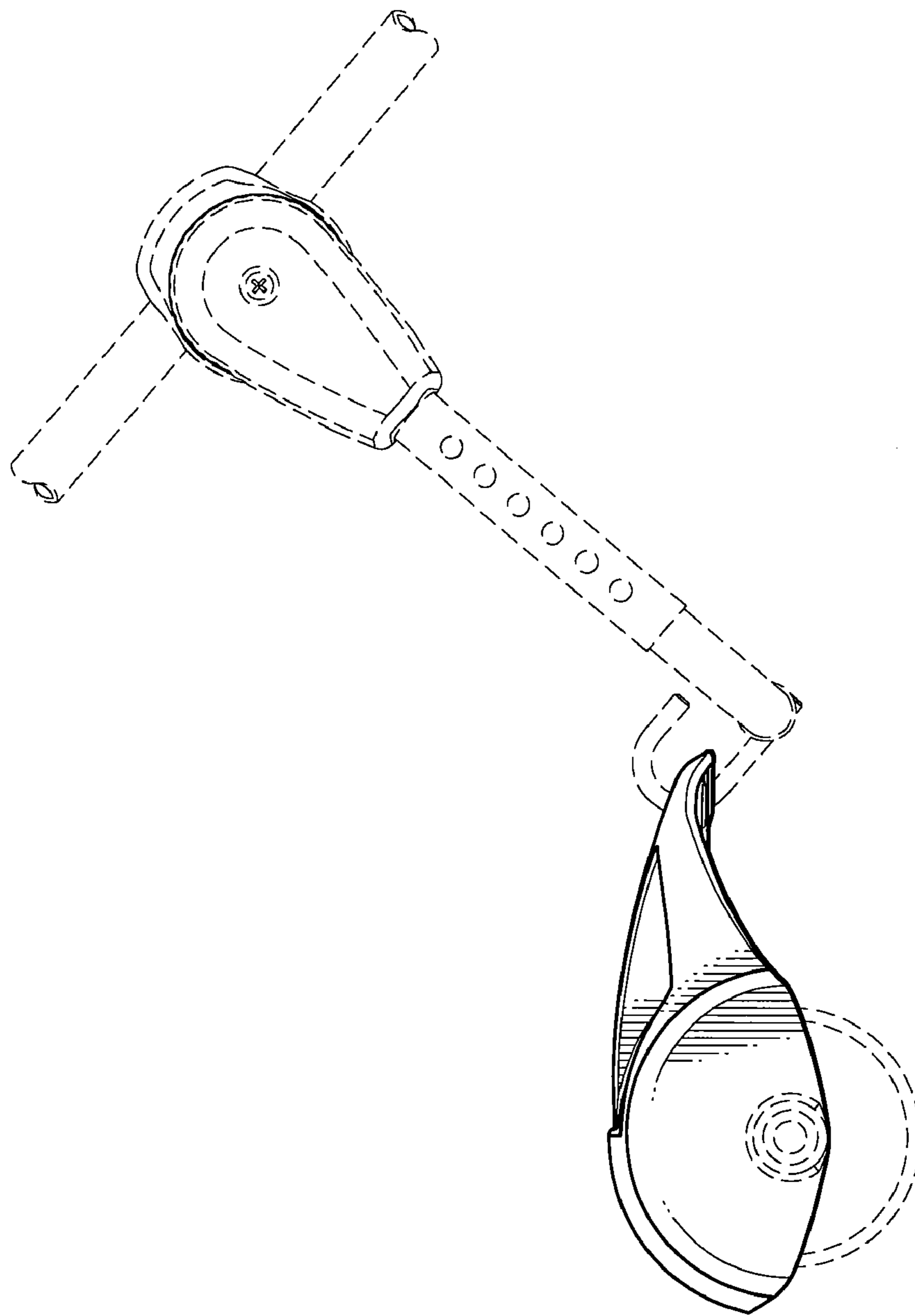


FIG. 6

