



US00D584744S

(12) **United States Design Patent**  
**Lee**

(10) **Patent No.:** **US D584,744 S**  
(45) **Date of Patent:** **\*\* Jan. 13, 2009**

(54) **MEDIA SERVER**

(75) Inventor: **Shih-Yun Lee, Tao Yuan Shien (TW)**

(73) Assignee: **Quanta Computer Inc., Kuei Shan Hsiang, Tao Yuan Shien (TW)**

(\*\*) Term: **14 Years**

(21) Appl. No.: **29/319,491**

(22) Filed: **Jun. 10, 2008**

(51) **LOC (9) Cl.** ..... **14-03**

(52) **U.S. Cl.** ..... **D14/496**

(58) **Field of Classification Search** ..... D14/496,  
D14/401, 435, 474, 483, 217, 137, 138, 160,  
D14/168, 356; 345/156, 169, 173-179, 905;  
715/727-729, 864; 710/1, 5, 8; 713/1, 600;  
455/1.1, 1, 7, 73, 344-347, 93, 95, 3.01-3.06,  
455/550.1, 573.1; 370/342-344; 369/1,  
369/2, 6, 12; 463/43-47; 273/148 B  
See application file for complete search history.

(56) **References Cited**

**U.S. PATENT DOCUMENTS**

6,122,526	A *	9/2000	Parulski et al.	.....	455/556.1
6,639,577	B2 *	10/2003	Eberhard	.....	345/102
6,671,567	B1 *	12/2003	Dwyer et al.	.....	700/94
6,920,344	B2 *	7/2005	Jang	.....	455/575.5
D558,788	S *	1/2008	Yu et al.	.....	D14/496

D560,227	S *	1/2008	Bennett et al.	.....	D14/496
D561,204	S *	2/2008	Toh	.....	D14/496
D565,596	S *	4/2008	Kim	.....	D14/496
D569,389	S *	5/2008	Andre et al.	.....	D14/496
D569,390	S *	5/2008	Lee	.....	D14/496
D570,876	S *	6/2008	Lee	.....	D14/496
D571,822	S *	6/2008	Madonna et al.	.....	D14/496

\* cited by examiner

*Primary Examiner*—Prabhakar Deshmukh

(74) *Attorney, Agent, or Firm*—Thomas, Kayden, Horstemeyer & Risley

(57) **CLAIM**

The ornamental design for a media server, as shown and described.

**DESCRIPTION**

FIG. 1 is a front, side perspective view of a media server showing my new design;

FIG. 2 is a front elevational view thereof;

FIG. 3 is a rear elevational view thereof;

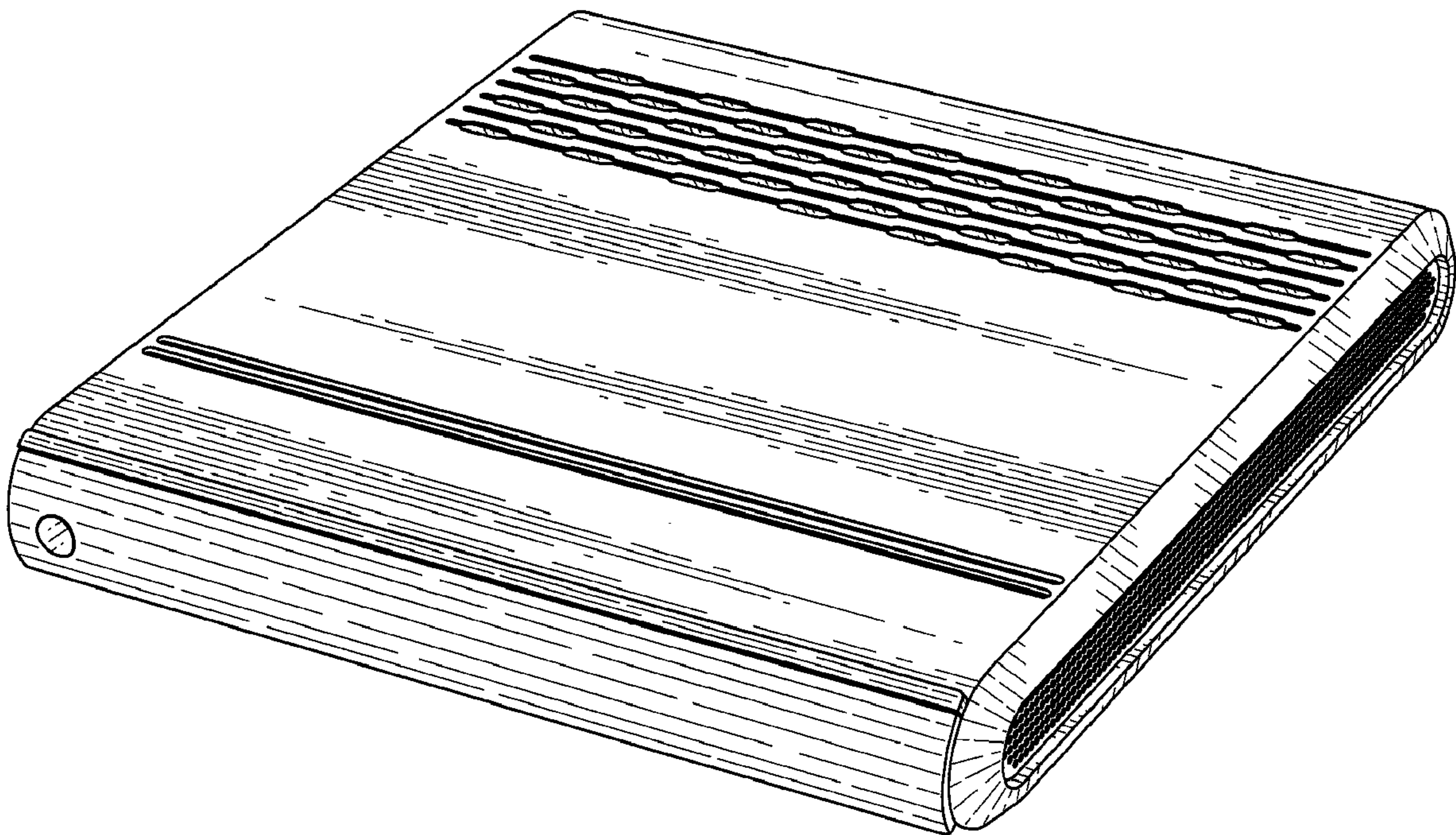
FIG. 4 is a left side elevational view thereof;

FIG. 5 is a right side elevational view thereof;

FIG. 6 is a top plan view thereof; and,

FIG. 7 is a bottom plan view thereof.

**1 Claim, 5 Drawing Sheets**



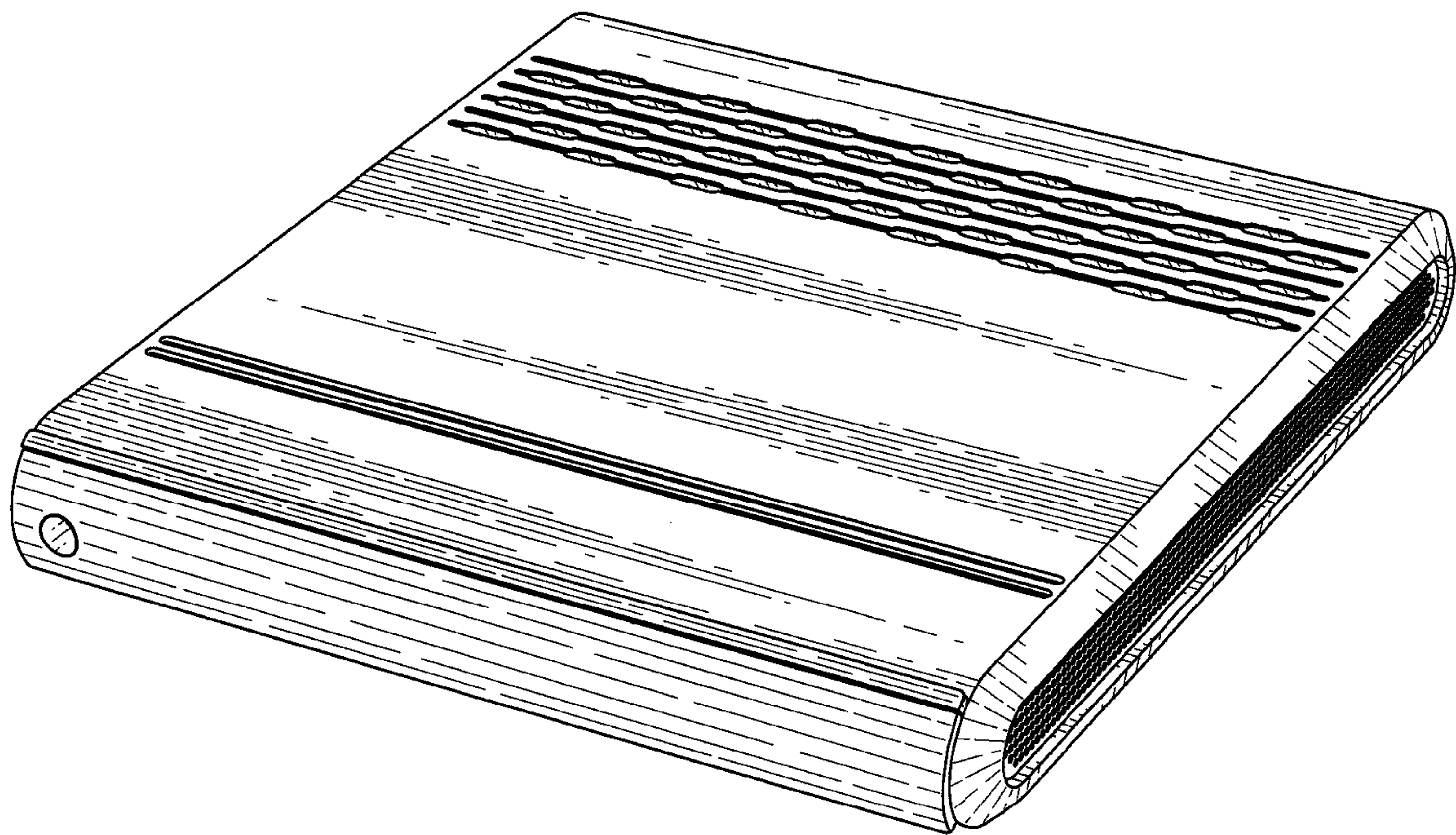


FIG. 1

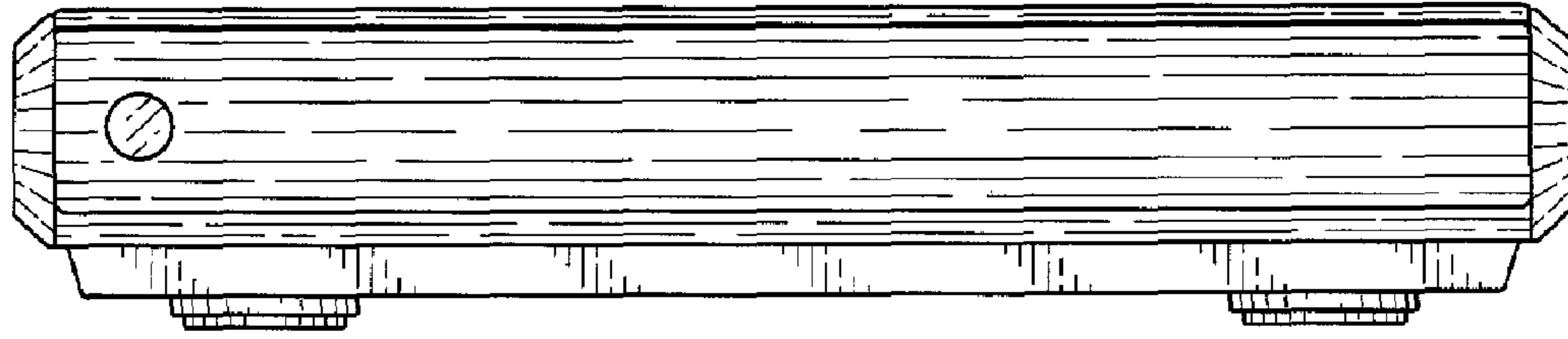


FIG. 2

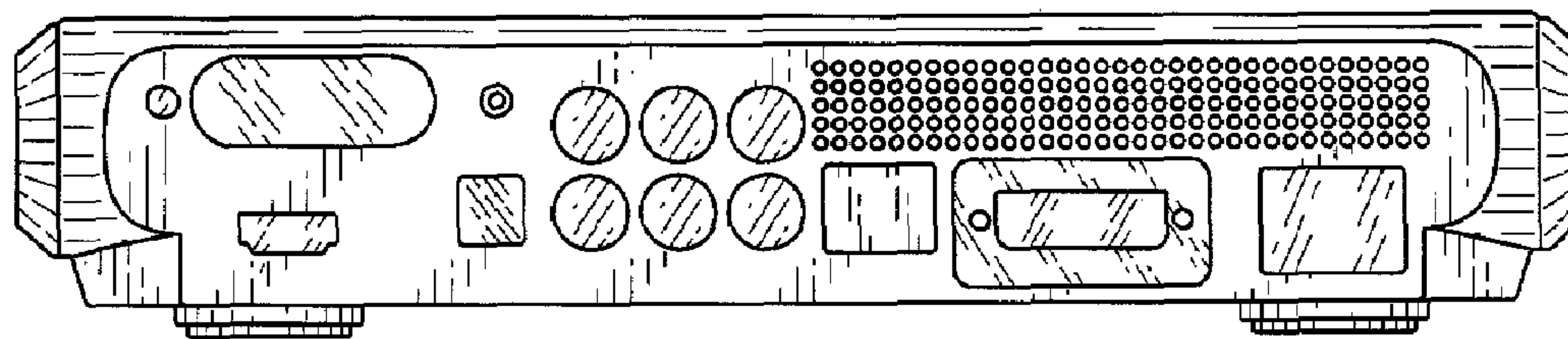


FIG. 3



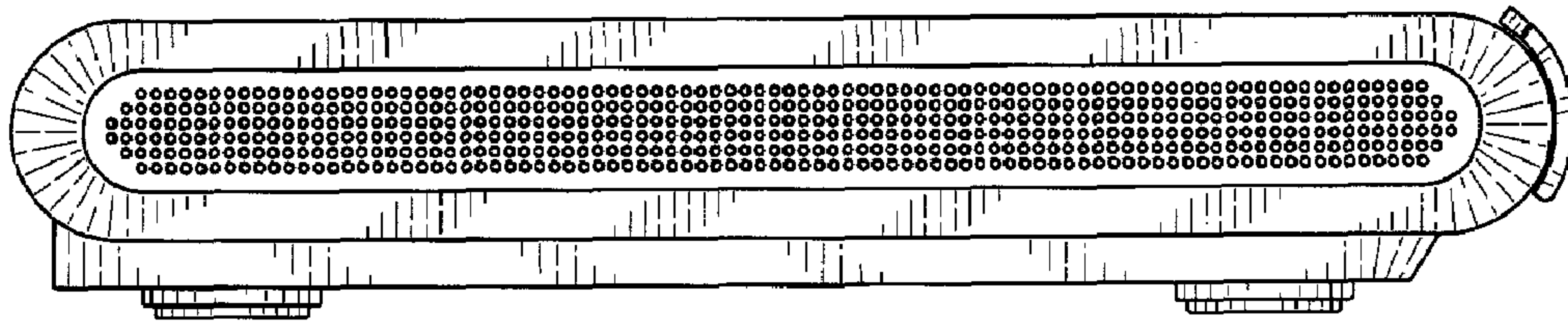


FIG. 4

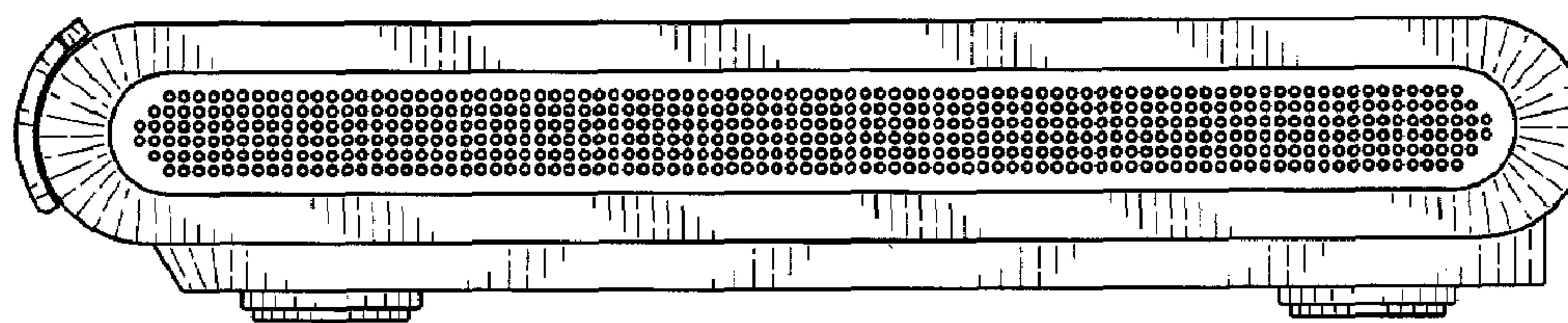


FIG. 5

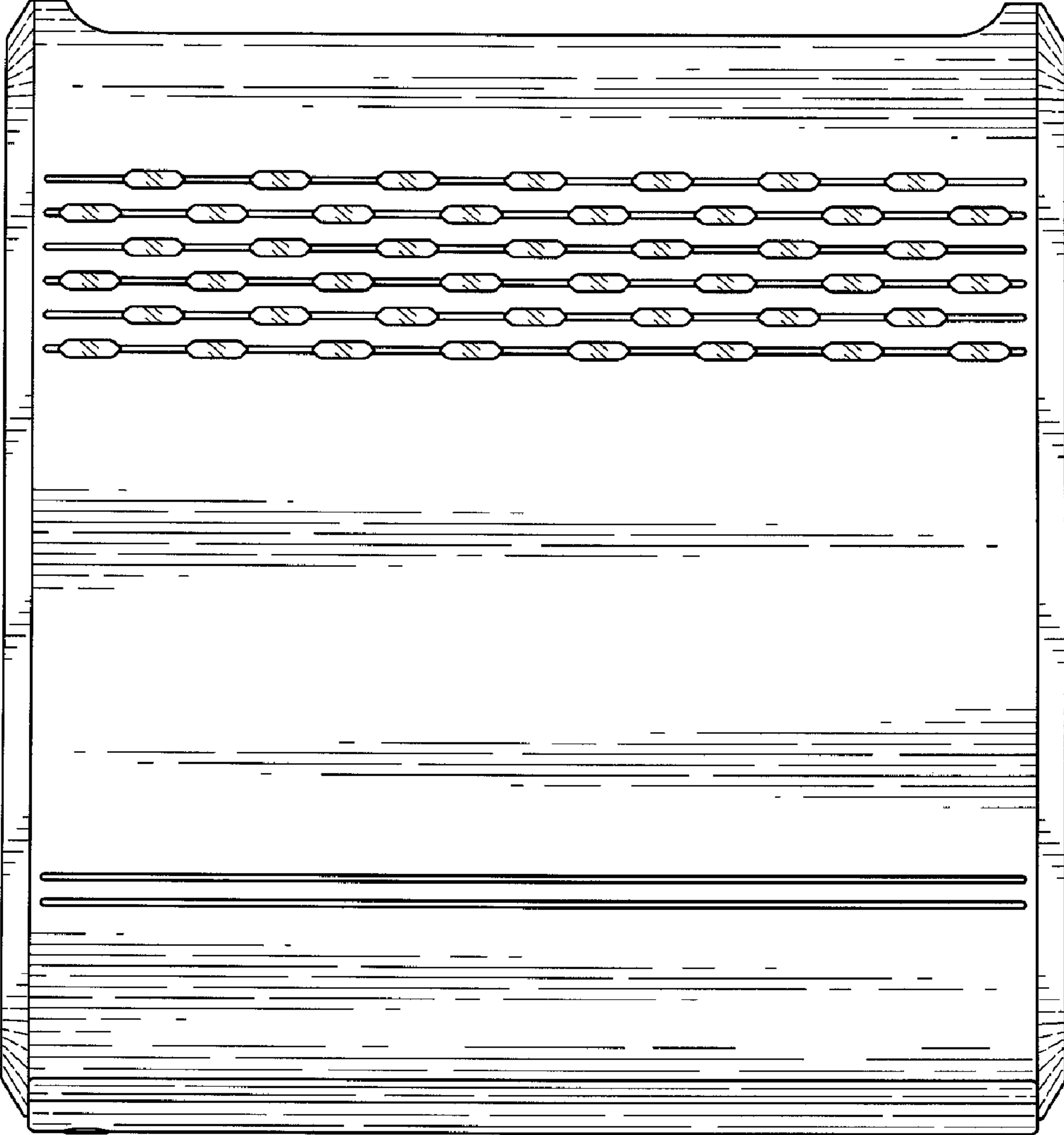


FIG. 6

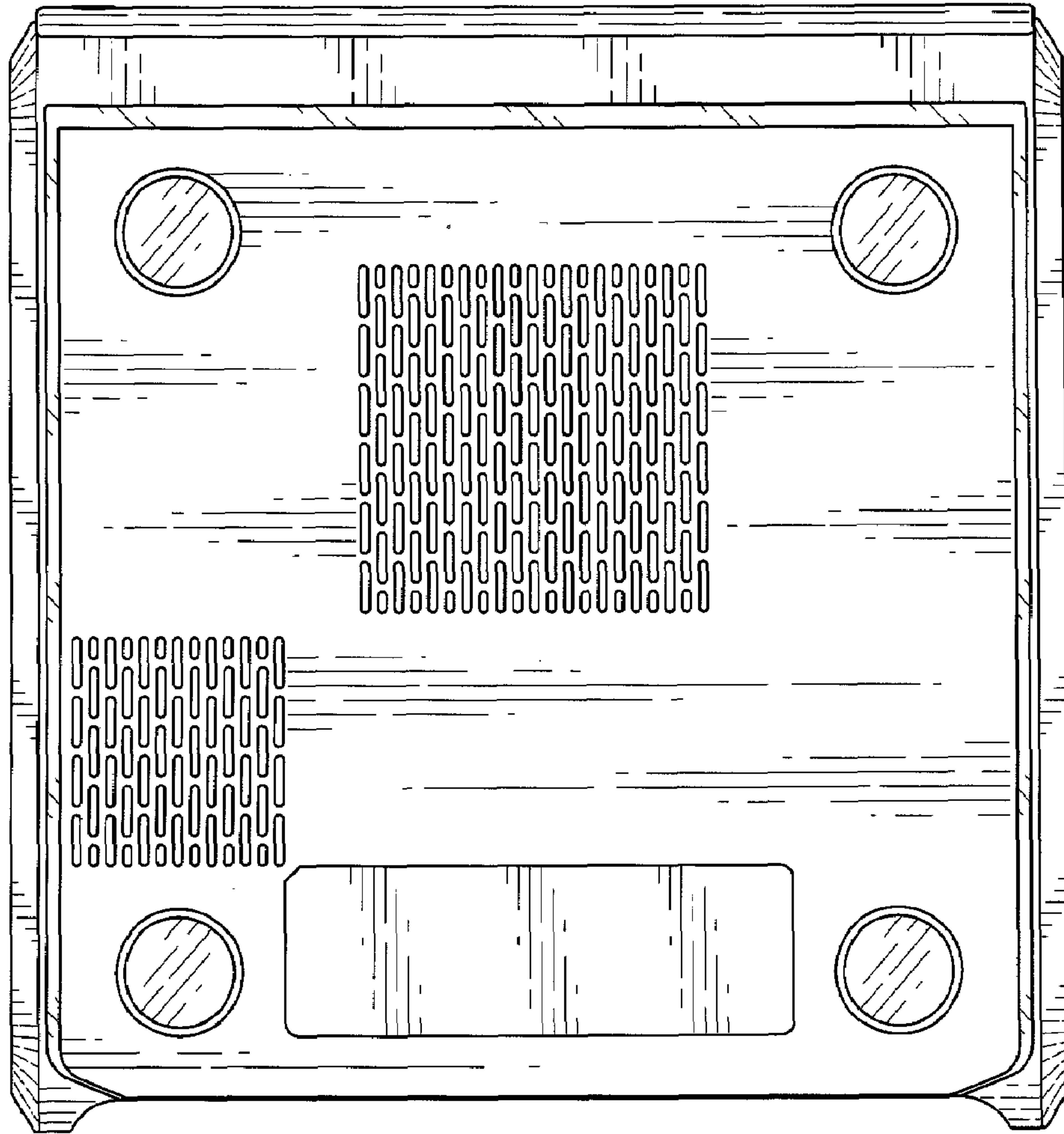


FIG. 7