



US00D584734S

(12) **United States Design Patent**  
**Chu**

(10) **Patent No.:** **US D584,734 S**  
(45) **Date of Patent:** **\*\* Jan. 13, 2009**

(54) **LCD HOLDER**

(75) Inventor: **Leo Chu**, Taipei (TW)

(73) Assignee: **Eastern Global Corporation**, Taipei (TW)

(\*\*) Term: **14 Years**

(21) Appl. No.: **29/290,400**

(22) Filed: **Nov. 30, 2007**

(51) **LOC (9) Cl.** ..... **14-03**

(52) **U.S. Cl.** ..... **D14/452**

(58) **Field of Classification Search** ..... D14/447, D14/451, 452, 328, 336, 356, 371, 374, 375, D14/376, 432, 434, 439, 448, 454, 457, 239, D14/251, 252, 341, 224, 253, 316, 129, 209, D14/217, 237, 238, 458, 459, 460, 461; D10/65; D6/444, 513, 396, 419, 420, 473, 474, 512; D8/349, 355, 363, 373, 380, 354, 356; D19/92, D19/95; D23/370, 387; 248/176.1, 220.21, 248/223.31, 274.1, 276.1, 281.11, 284.1, 248/286.1, 309.1, 316.1, 323, 324, 346.3, 248/349.1, 371, 398, 917, 918, 919, 920, 248/921, 922, 923, 205.5, 121, 124.1, 127, 248/177.1, 201, 205.1, 291.1, 313, 346.01, 248/346.03, 415; D12/415; 312/223.3; 348/825, 348/836; 379/446, 454; 361/681, 683, 687, 361/695

See application file for complete search history.

(56) **References Cited**

**U.S. PATENT DOCUMENTS**

D455,949 S \* 4/2002 Huang ..... D8/373

D503,719 S \* 4/2005 Lin ..... D14/452  
D520,017 S \* 5/2006 van Kuijk et al. .... D14/452  
D522,009 S \* 5/2006 Chen ..... D14/452  
D549,063 S \* 8/2007 Pribyl et al. .... D8/73  
7,264,212 B2 \* 9/2007 Hung ..... 248/282.1  
D563,399 S \* 3/2008 Wohlford et al. .... D14/239  
D568,326 S \* 5/2008 Muday et al. .... D14/452  
7,395,995 B2 \* 7/2008 Chen ..... 248/284.1  
2004/0251388 A1 \* 12/2004 Williams ..... 248/274.1  
2007/0139870 A1 \* 6/2007 Lin ..... 361/681  
2008/0029661 A1 \* 2/2008 Chen ..... 248/176.1

\* cited by examiner

*Primary Examiner*—Jennifer Rivard

*Assistant Examiner*—Angela J Lee

(74) *Attorney, Agent, or Firm*—Troxell Law Office, PLLC

(57) **CLAIM**

The ornamental design for LCD holder, as shown and described.

**DESCRIPTION**

FIG. 1 is a perspective view of a LCD holder showing my new design;

FIG. 2 is a front elevational view thereof;

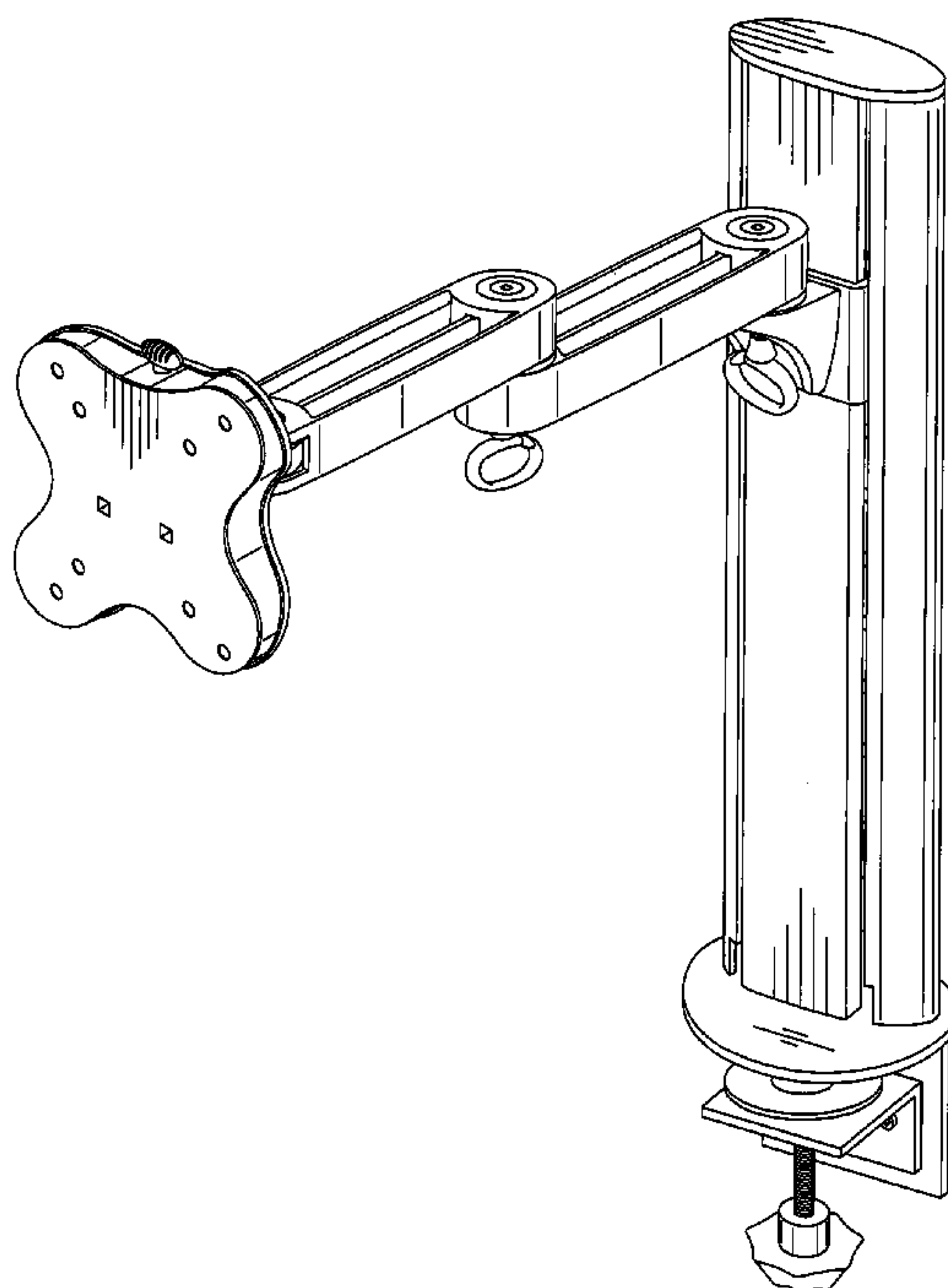
FIG. 3 is a rear elevational view thereof;

FIG. 4 is a top plan view thereof;

FIG. 5 is a bottom plan view thereof; and,

FIG. 6 is a right side elevational view thereof; the left side being substantially a mirror image.

**1 Claim, 6 Drawing Sheets**



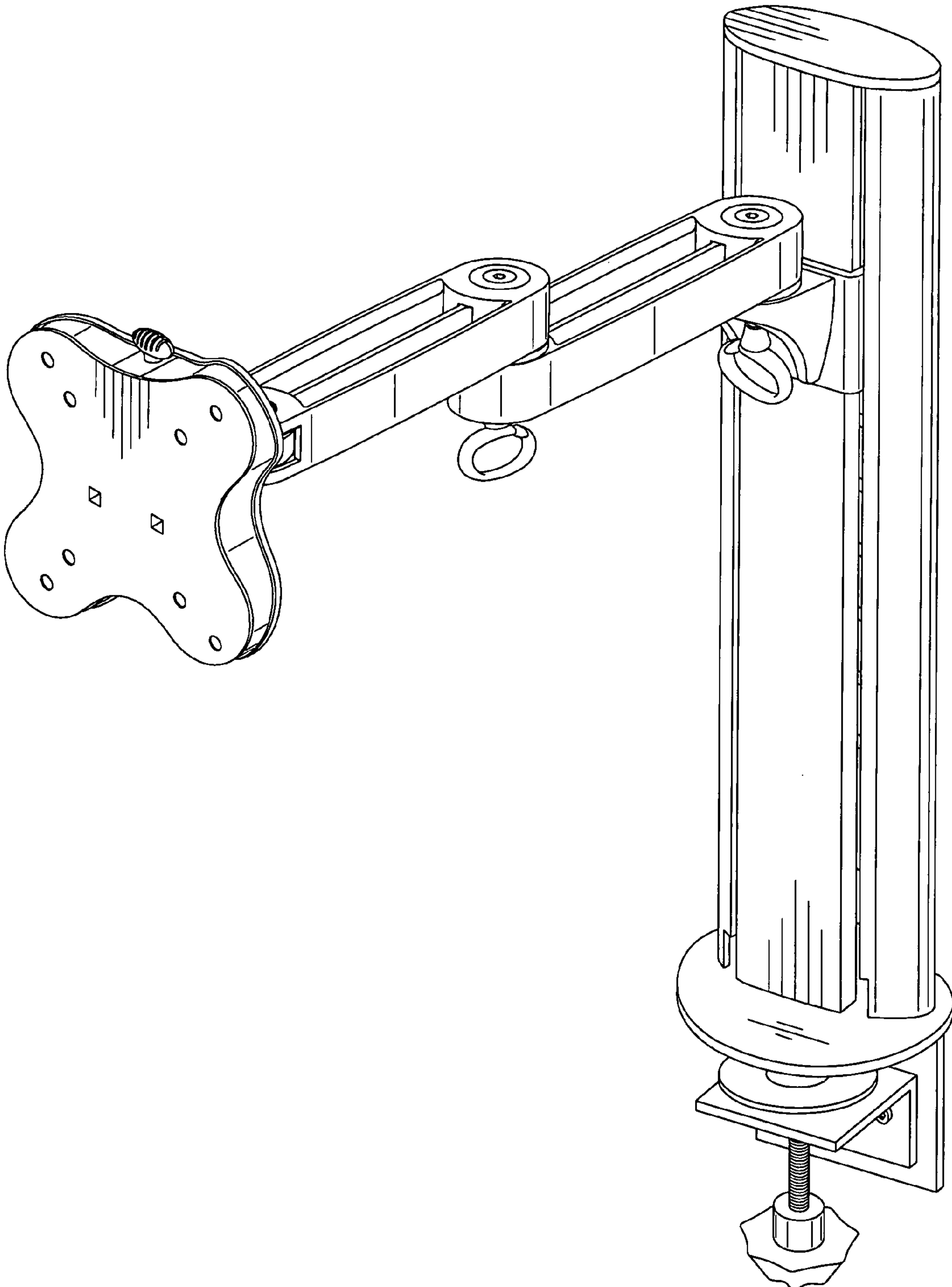


Fig. 1

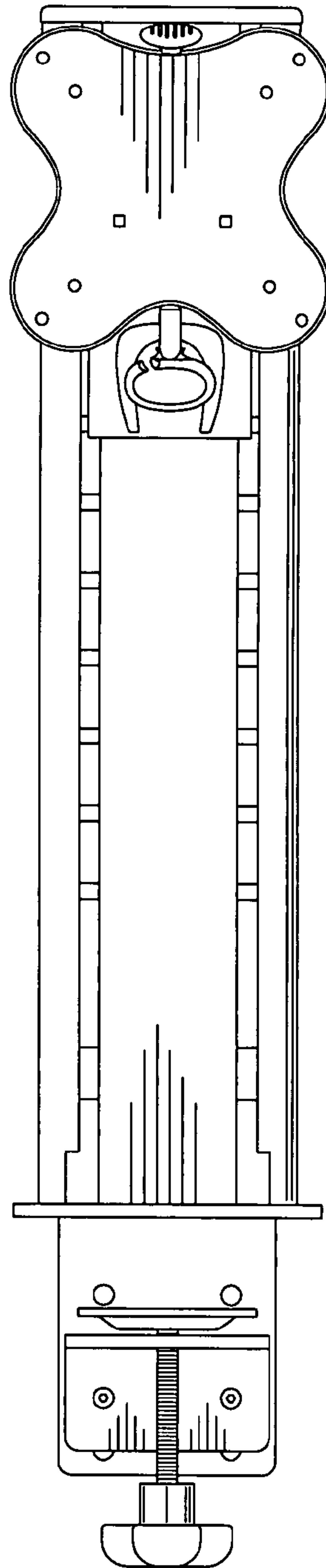


Fig. 2

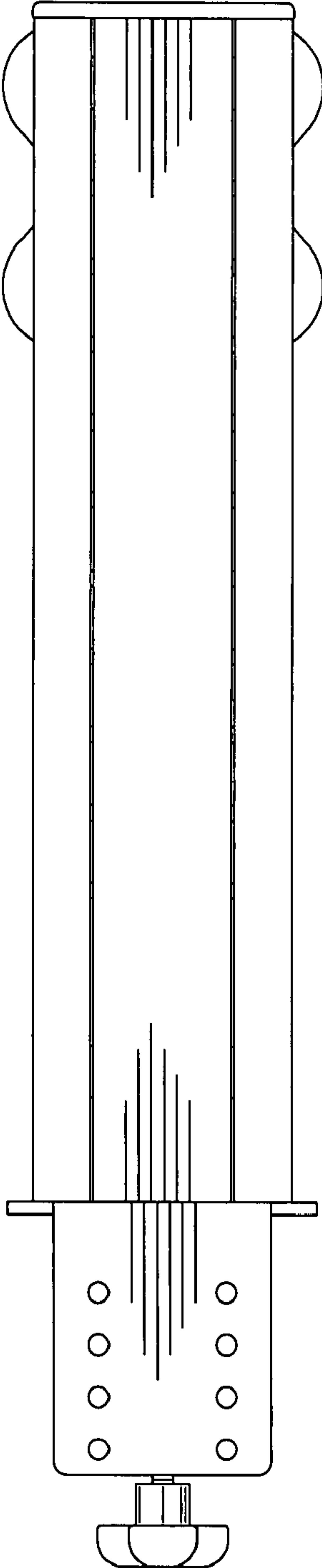


Fig. 3

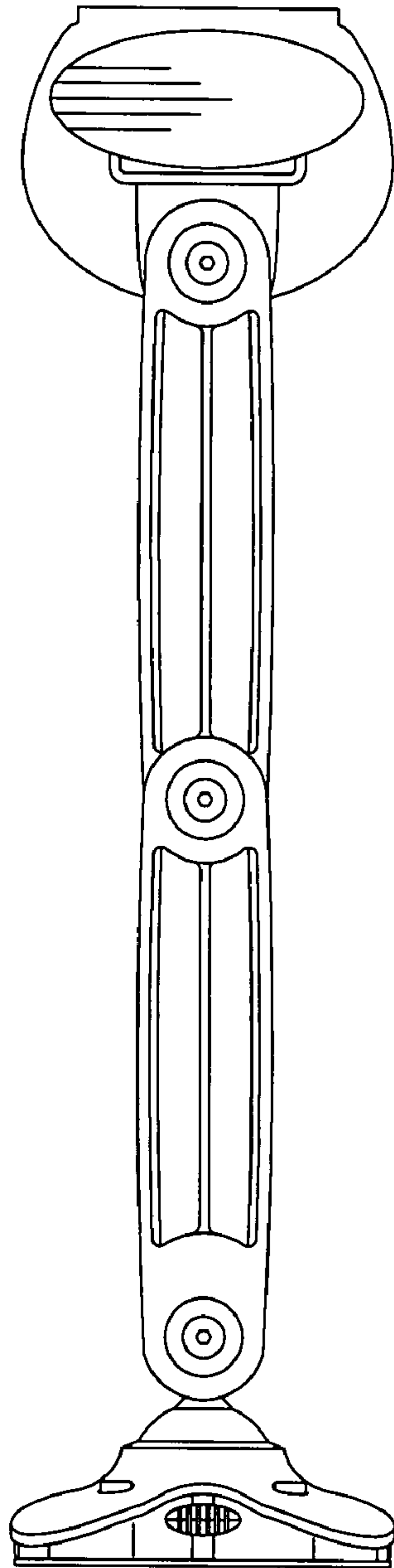


Fig. 4

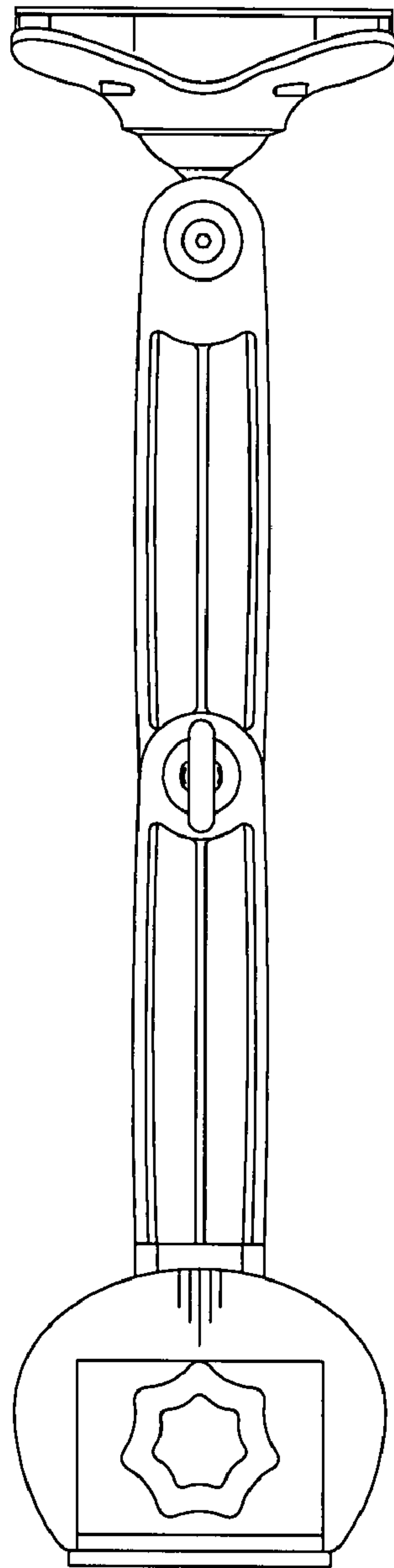


Fig. 5

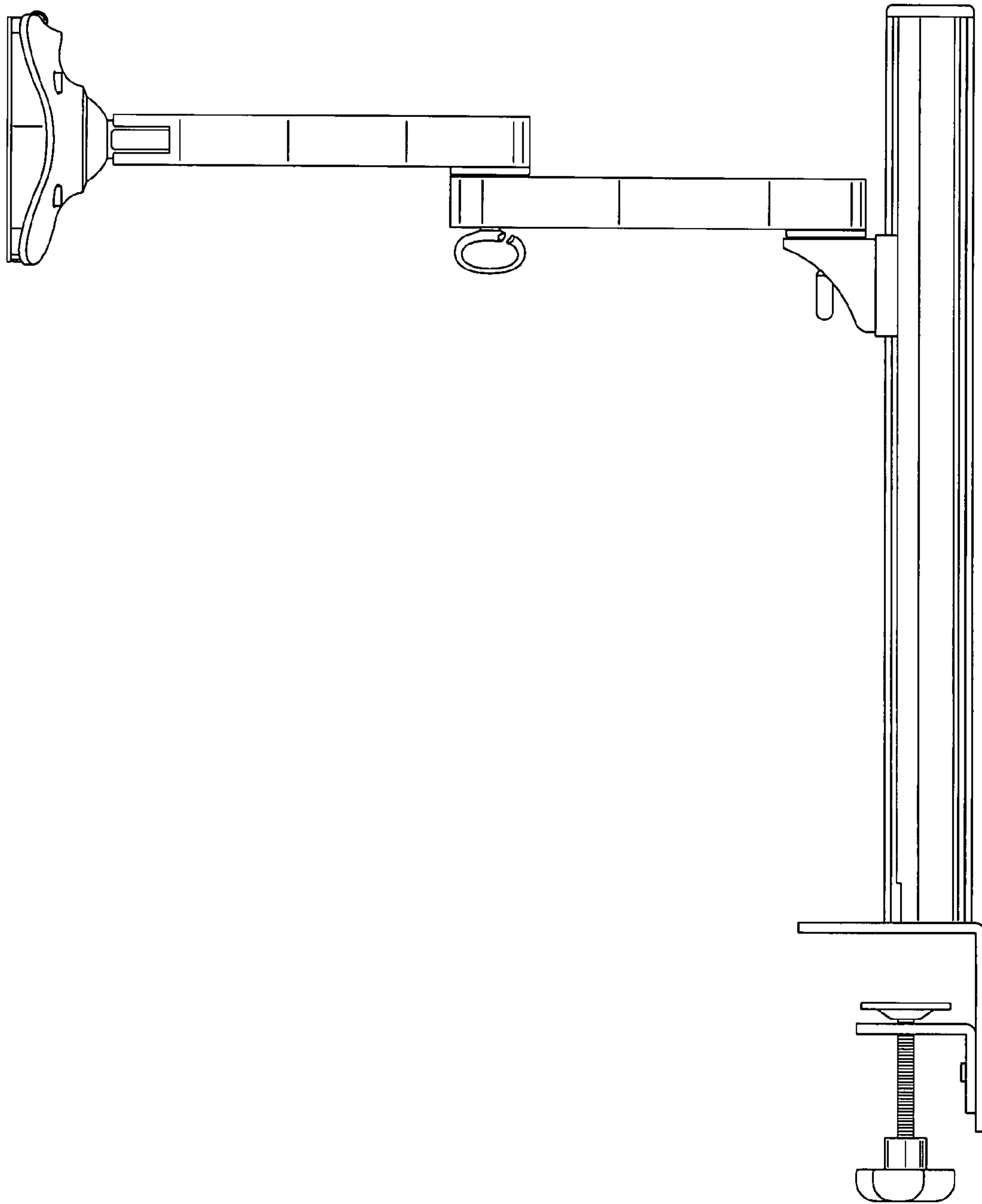


Fig. 6