



US00D584733S

(12) **United States Design Patent**
Dearborn et al.

(10) **Patent No.:** **US D584,733 S**
(45) **Date of Patent:** **** Jan. 13, 2009**

(54) **STORAGE DEVICE ENCLOSURE**
(75) Inventors: **Timothy Dearborn**, Lakeway, TX (US);
Scott Lauffer, Austin, TX (US);
Richard Crisp, Austin, TX (US)

(73) Assignee: **Dell Products L.P.**, Round Rock, TX (US)

(**) Term: **14 Years**

(21) Appl. No.: **29/283,764**

(22) Filed: **Aug. 23, 2007**

(51) **LOC (9) Cl.** **14-02**

(52) **U.S. Cl.** **D14/439**

(58) **Field of Classification Search** D14/300–303,
D14/308, 314, 348, 349, 351–355, 363–370,
D14/439–447; D13/133, 154, 158, 173,
D13/177, 184, 199; 312/223.2; 361/680–686,
361/690–696; 369/34.01, 36.01

See application file for complete search history.

(56) **References Cited**

U.S. PATENT DOCUMENTS

D231,137 S *	4/1974	Juhlin	D19/90
D358,141 S *	5/1995	Pecone et al.	D14/109
D406,575 S *	3/1999	Michael et al.	D14/366
D408,374 S *	4/1999	Tsai	D14/352
D422,573 S *	4/2000	Takano et al.	D14/365
D429,244 S *	8/2000	Hu	D14/348
6,147,859 A *	11/2000	Abboud	361/683
D436,959 S *	1/2001	Reynolds et al.	D14/368
D445,791 S *	7/2001	Ito et al.	D14/368
D473,562 S *	4/2003	Russell	D14/447
D483,767 S *	12/2003	Green et al.	D14/451
D492,267 S *	6/2004	Kawajiri et al.	D13/184
D493,453 S *	7/2004	Milan	D14/314
6,813,151 B1 *	11/2004	Vane	361/687
D519,999 S *	5/2006	Hamer et al.	D14/356
D531,176 S *	10/2006	Ng et al.	D14/300

D539,290 S *	3/2007	Zhu et al.	D14/447
D539,291 S *	3/2007	Li et al.	D14/447
D556,747 S *	12/2007	Wang	D14/300
D573,987 S *	7/2008	Dearborn et al.	D14/363

OTHER PUBLICATIONS

“PowerVaultT RD1000—the Removable Hard Drive by Dell that makes Data Backup and Restoring Faster”, dated Nov. 21, 2006; www.techshout.com.*

Dell Powervault RD1000 Specs sheet, dated Nov. 2006; www.dell.com.*

* cited by examiner

Primary Examiner—Cathron C Brooks

Assistant Examiner—Deanna Fluegeman

(74) *Attorney, Agent, or Firm*—Hamilton & Terrile, LLP; Stephen A. Terrile

(57) **CLAIM**

The ornamental design for a storage device enclosure, as shown and described.

DESCRIPTION

The present invention relates in general to an ornamental design of storage device enclosure as set forth in the following specification and figures wherein broken lines are shown for illustrative purposes only and form no part of the claimed design.

FIG. 1 is a front perspective view of the hard disk drive comprising the present invention;

FIG. 2 is a front side view thereof;

FIG. 3 is a side view thereof;

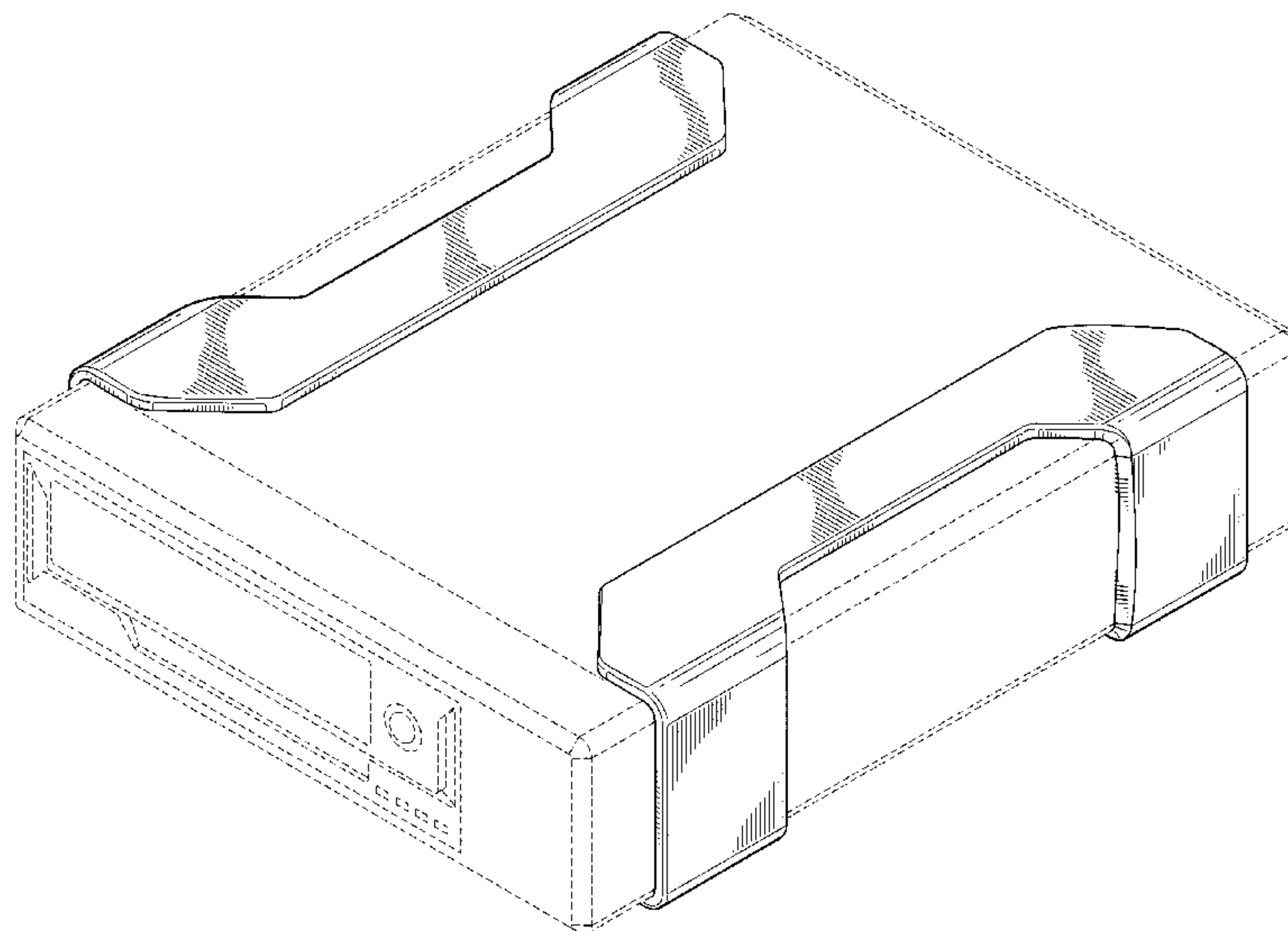
FIG. 4 is a rear view thereof;

FIG. 5 is a top plan view thereof; and,

FIG. 6 is a bottom plan view thereof.

The portions of the storage device enclosure shown in broken lines form no part of the claimed design.

1 Claim, 5 Drawing Sheets



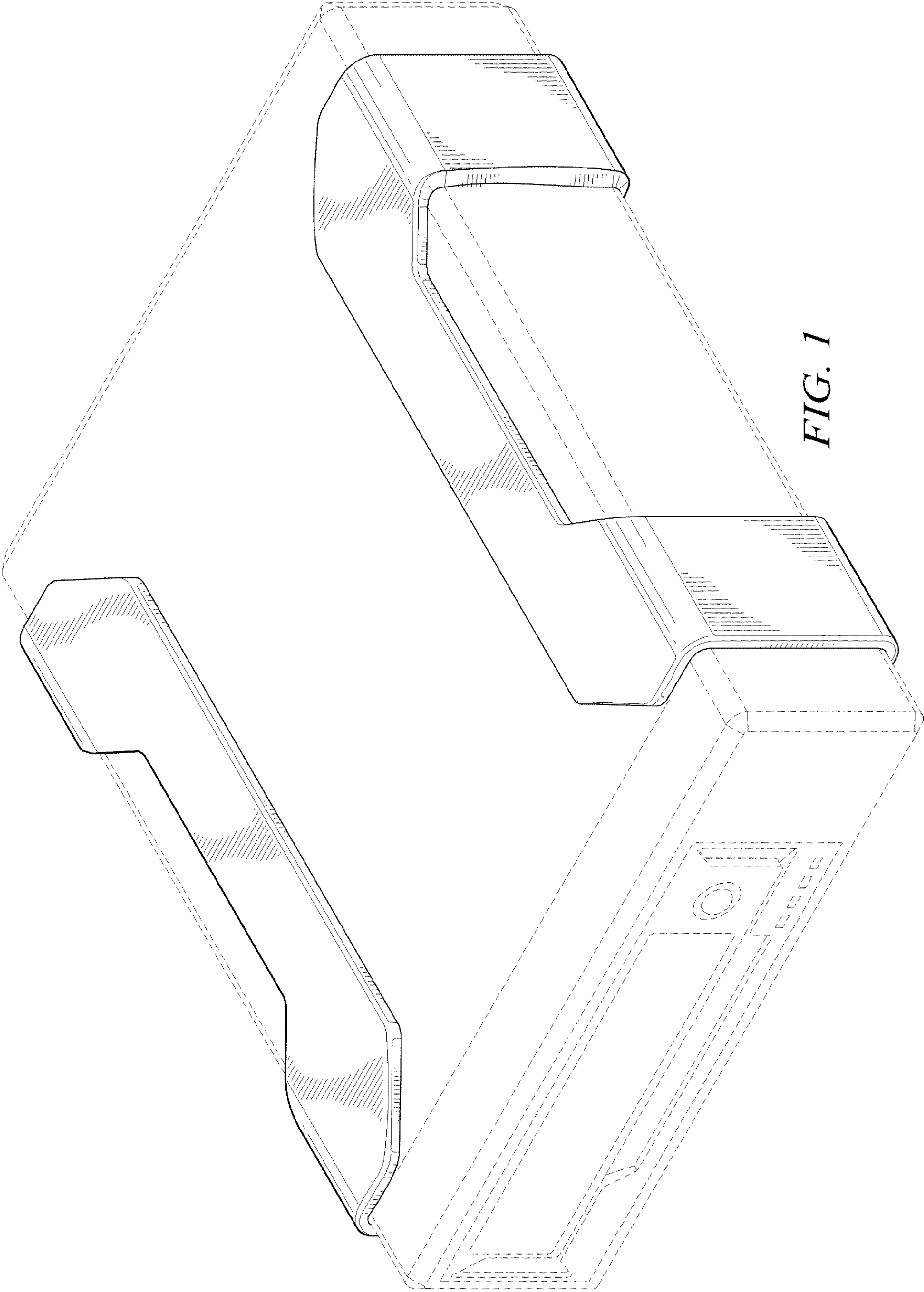


FIG. 1

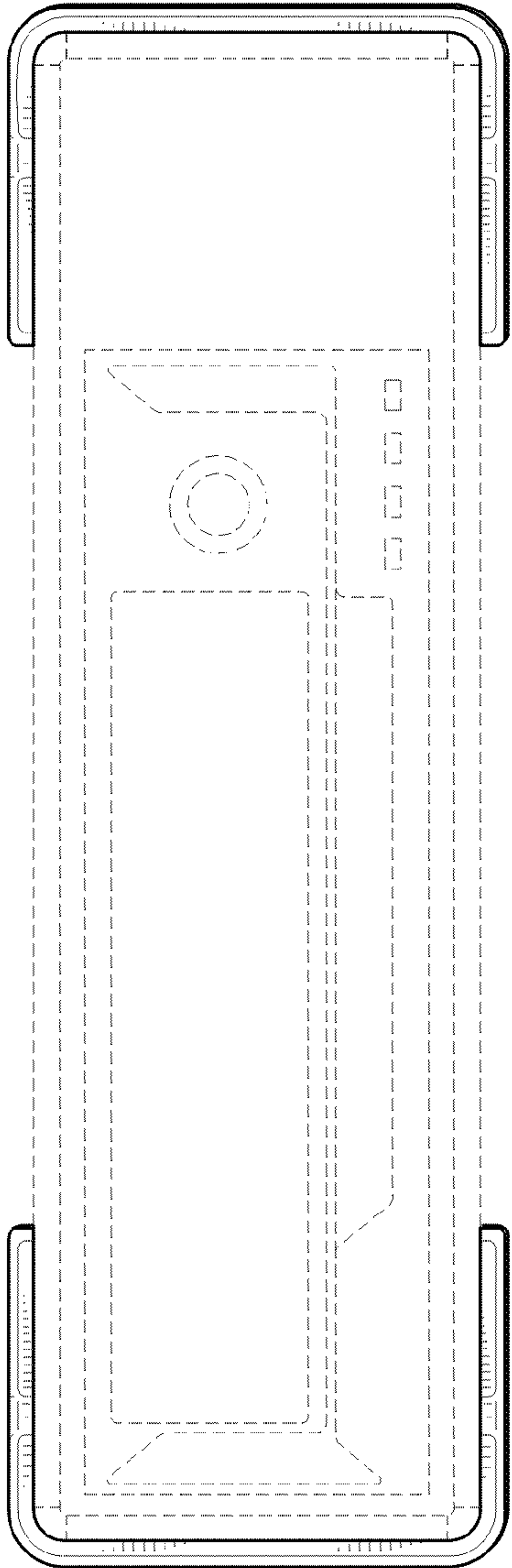


FIG. 2

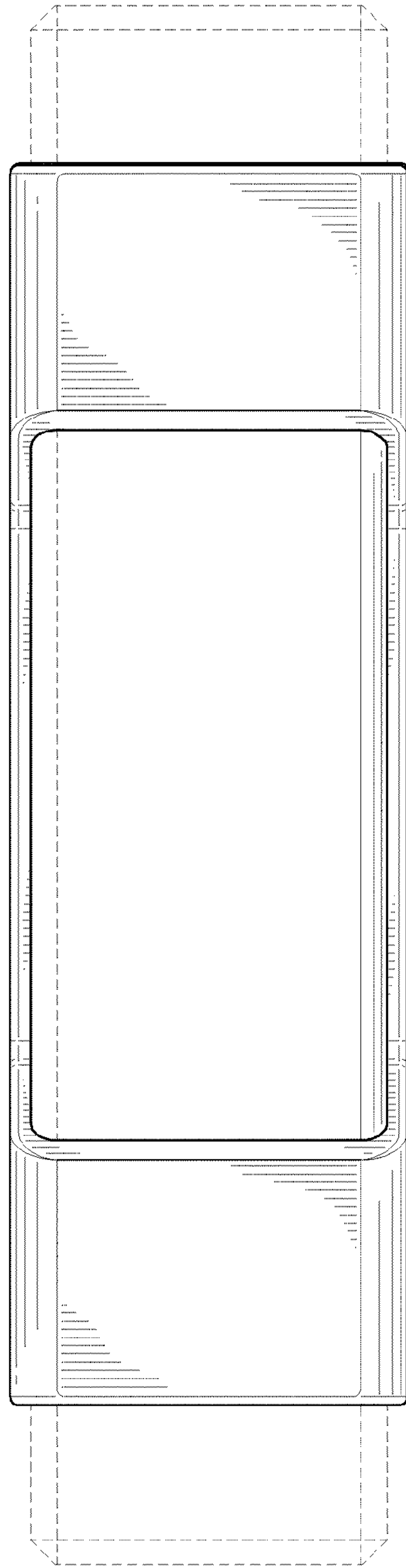


FIG. 3

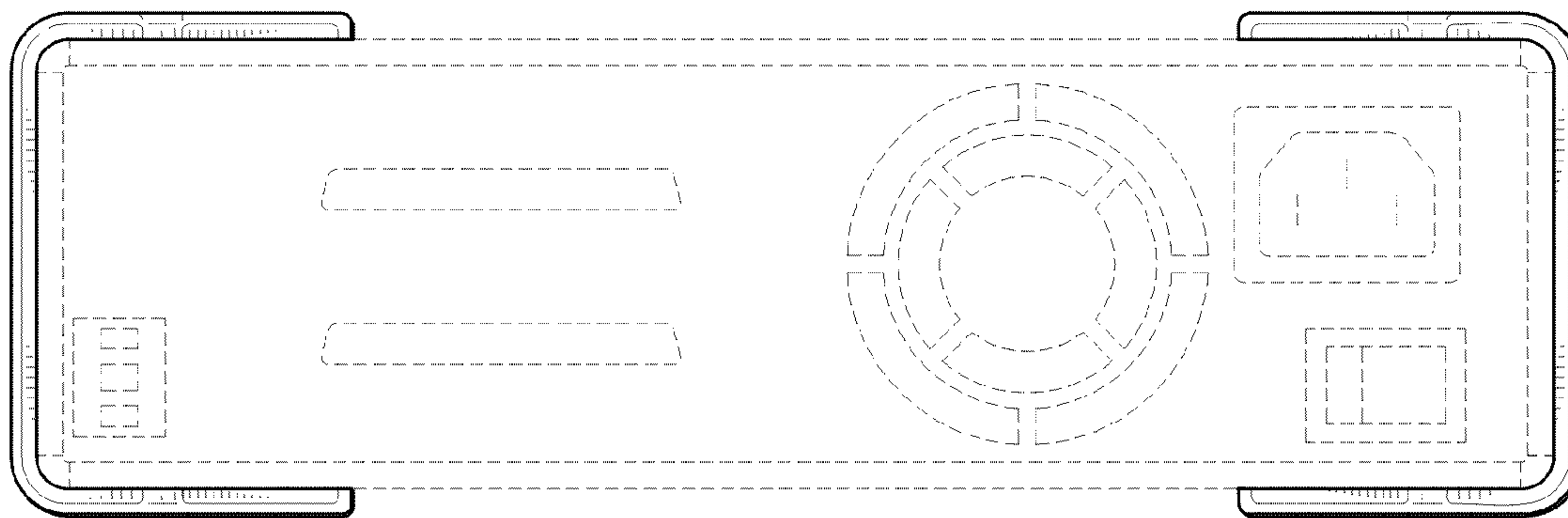


FIG. 4

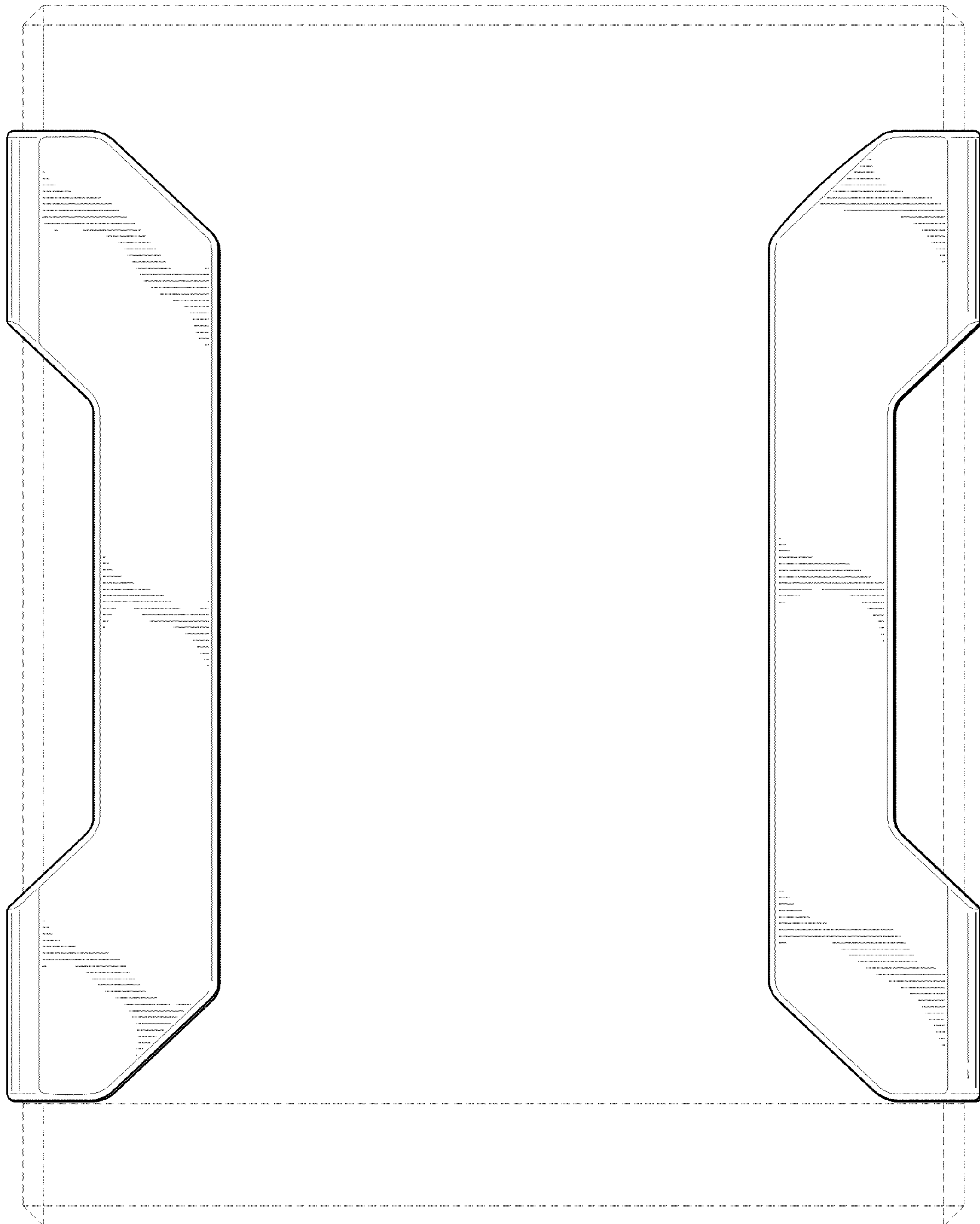


FIG. 5

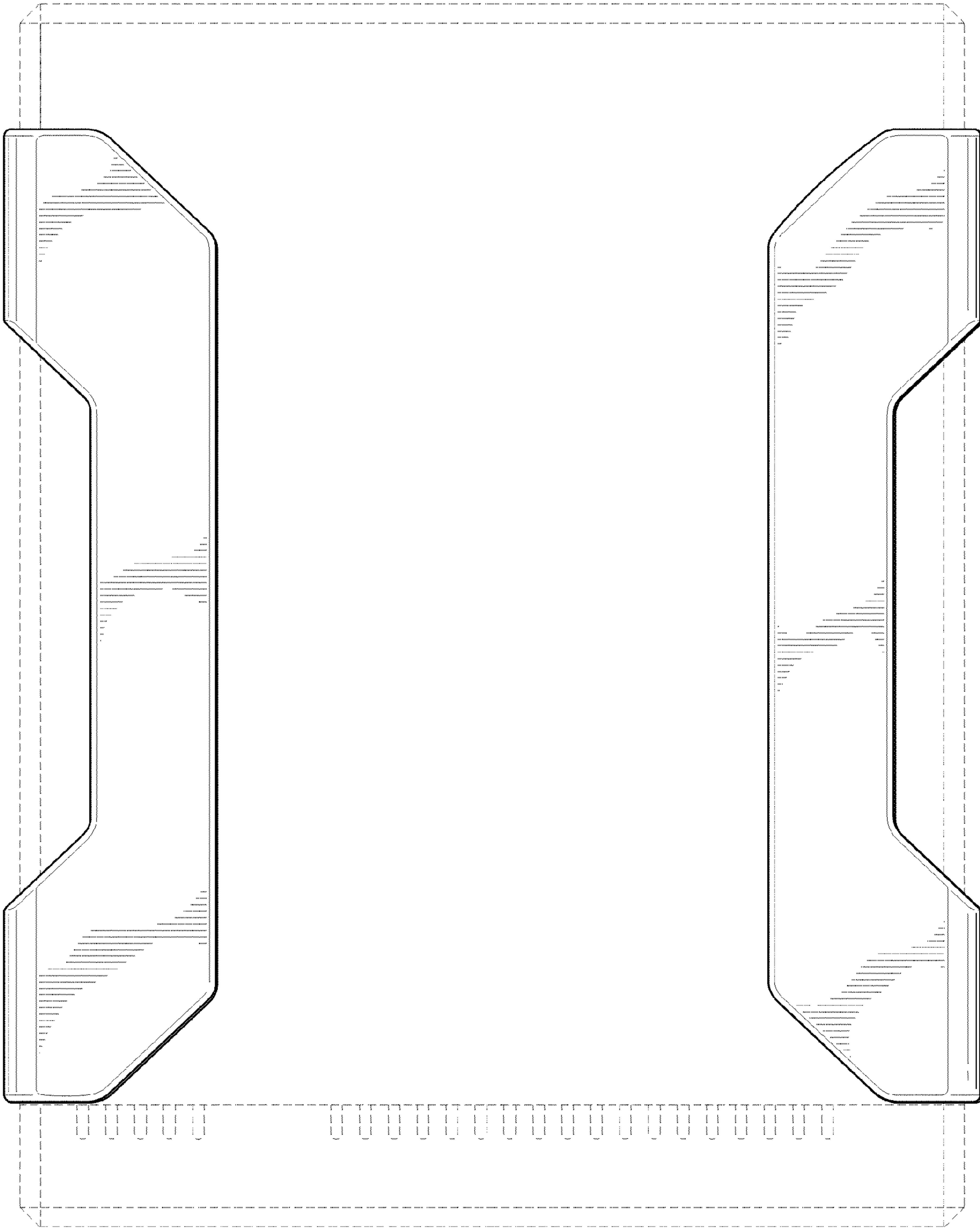


FIG. 6