



US00D584731S

(12) **United States Design Patent**
Montgomery et al.

(10) **Patent No.:** **US D584,731 S**
(45) **Date of Patent:** **** Jan. 13, 2009**

(54) **MOBILE COMPUTING DEVICE DOCKING STATION**

D489,325 S * 5/2004 Nakamura D13/110
D507,526 S * 7/2005 Ohta D13/108

(75) Inventors: **Paul Montgomery**, Kentfield, CA (US);
Herbert Pfeifer, San Francisco, CA (US);
Richard Kevin Mather, Salisbury, NC (US);
Peter Phillips, Palo Alto, CA (US);
Leonard Ott, Livermore, CA (US);
Robert John Miller, Fremont, CA (US)

* cited by examiner

Primary Examiner—Melanie H Tung
Assistant Examiner—Susan Moon Lee
(74) *Attorney, Agent, or Firm*—PatentVentures; Bennett Smith; Korbin Van Dyke

(73) Assignee: **Socket Mobile, Inc.**, Newark, CA (US)

(57) **CLAIM**

The ornamental design for a mobile computing device docking station, as shown and described.

(**) Term: **14 Years**

DESCRIPTION

(21) Appl. No.: **29/276,647**

FIG. 1 is a perspective view of a mobile computing device docking station, showing a first embodiment of our new design;

(22) Filed: **Jan. 31, 2007**

FIG. 2 is a right side view of the first embodiment, a left side view thereof being a mirror image;

(51) **LOC (9) Cl.** **14-02**

(52) **U.S. Cl.** **D14/434**

(58) **Field of Classification Search** D14/434,
D14/447, 432, 433, 385, 357, 149, 457, 253,
D14/251, 356; D13/199, 107, 108, 118;
361/600, 679, 683, 686; 200/6 R; 206/701;
320/113–115, 107; 379/426; 455/557, 556.1,
455/556.2; 345/156, 901, 905; 439/374,
439/131, 529, 534, 929, 346, 31, 640; 235/472.01;
248/309.1, 221.11; 429/100; D21/333, 392;
D19/65; 24/303; D8/395

FIG. 3 is a top view of the first embodiment;

FIG. 4 is a front view of the first embodiment;

FIG. 5 is a rear view of the first embodiment;

FIG. 6 is a bottom view of the first embodiment;

FIG. 7 is a perspective view of a mobile computing device docking station, showing a second embodiment of our new design;

See application file for complete search history.

FIG. 8 is a right side view of the second embodiment, a left side view thereof being a mirror image;

FIG. 9 is a top view of the second embodiment;

FIG. 10 is a front view of the second embodiment;

FIG. 11 is a rear view of the second embodiment; and,

FIG. 12 is a bottom view of the second embodiment.

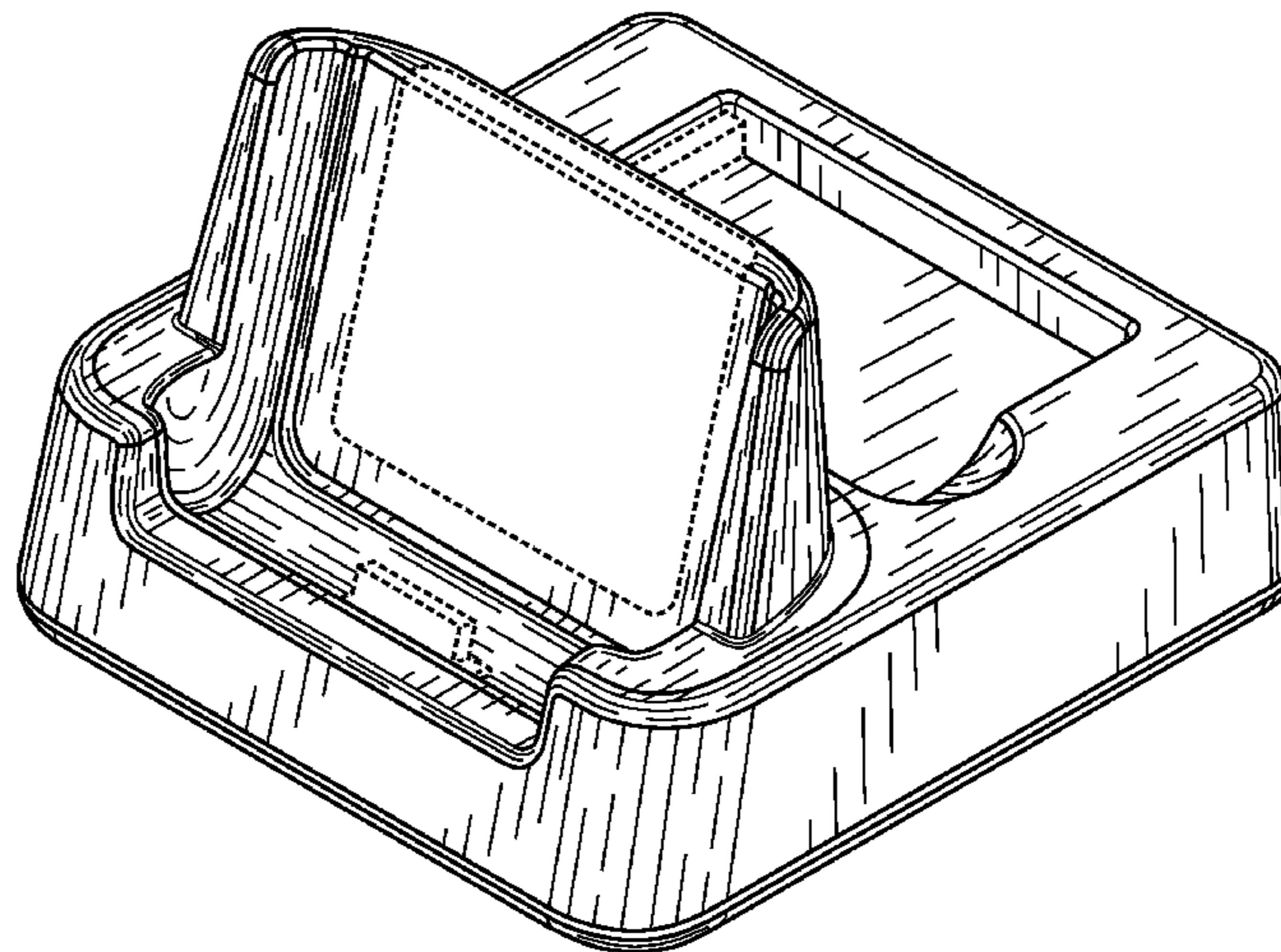
Broken line areas in the figures form no part of the claimed design and are for illustrative purposes only. The different shading patterns shown in FIGS. 7–12 represent a darker and lighter tone of gray.

(56) **References Cited**

U.S. PATENT DOCUMENTS

D277,662 S * 2/1985 Huntington et al. D13/107
D316,416 S * 4/1991 Cant et al. D14/252
D358,821 S * 5/1995 Hellier et al. D14/253
5,619,397 A * 4/1997 Honda et al. 361/686
5,627,727 A * 5/1997 Aguilera et al. 361/686
6,290,534 B1 * 9/2001 Sadler 439/534
D472,900 S * 4/2003 Matsumoto D14/447
D474,737 S * 5/2003 Yoshida D13/108
D489,323 S * 5/2004 Yoshida D13/108

1 Claim, 6 Drawing Sheets



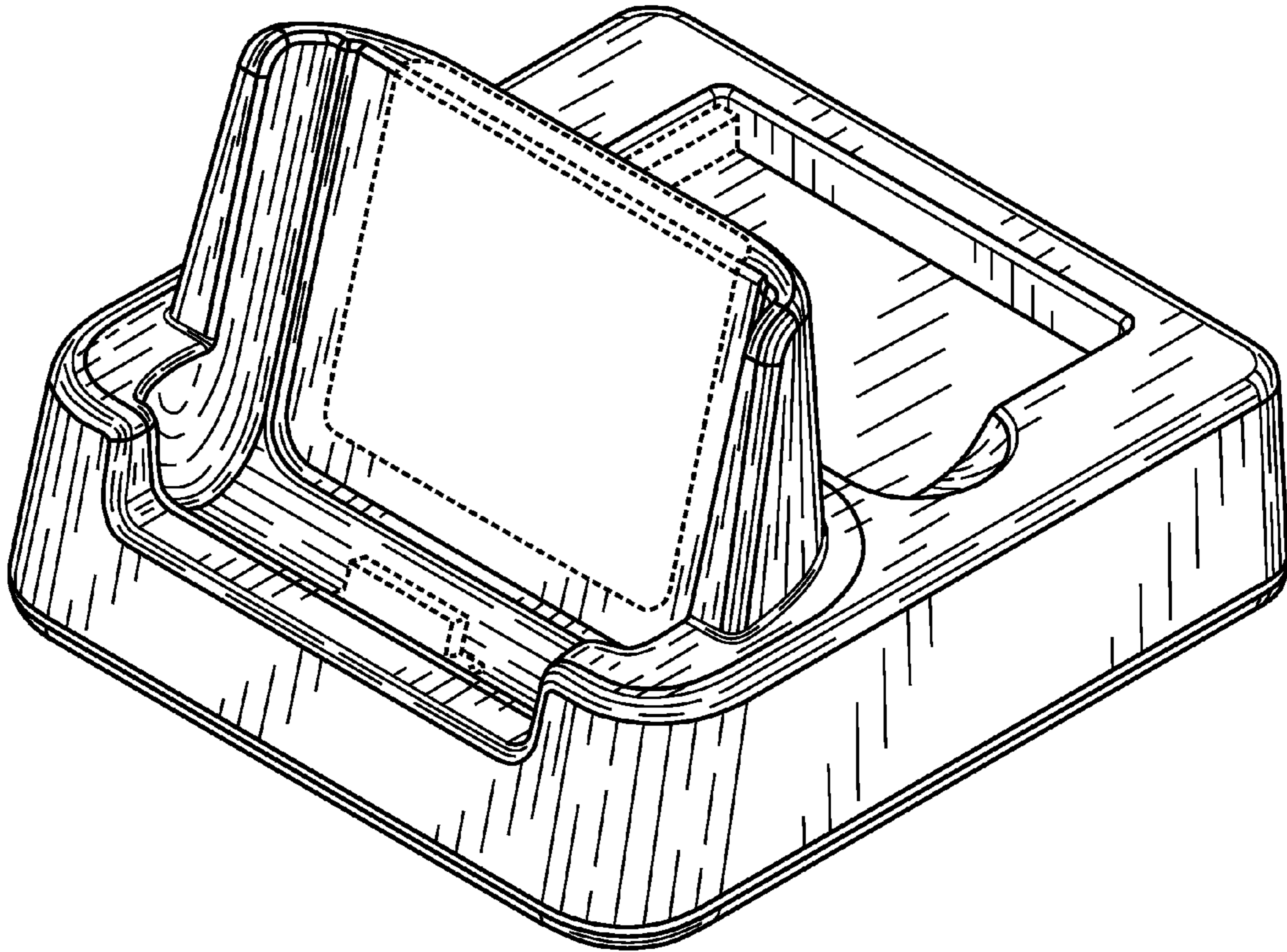


FIG. 1

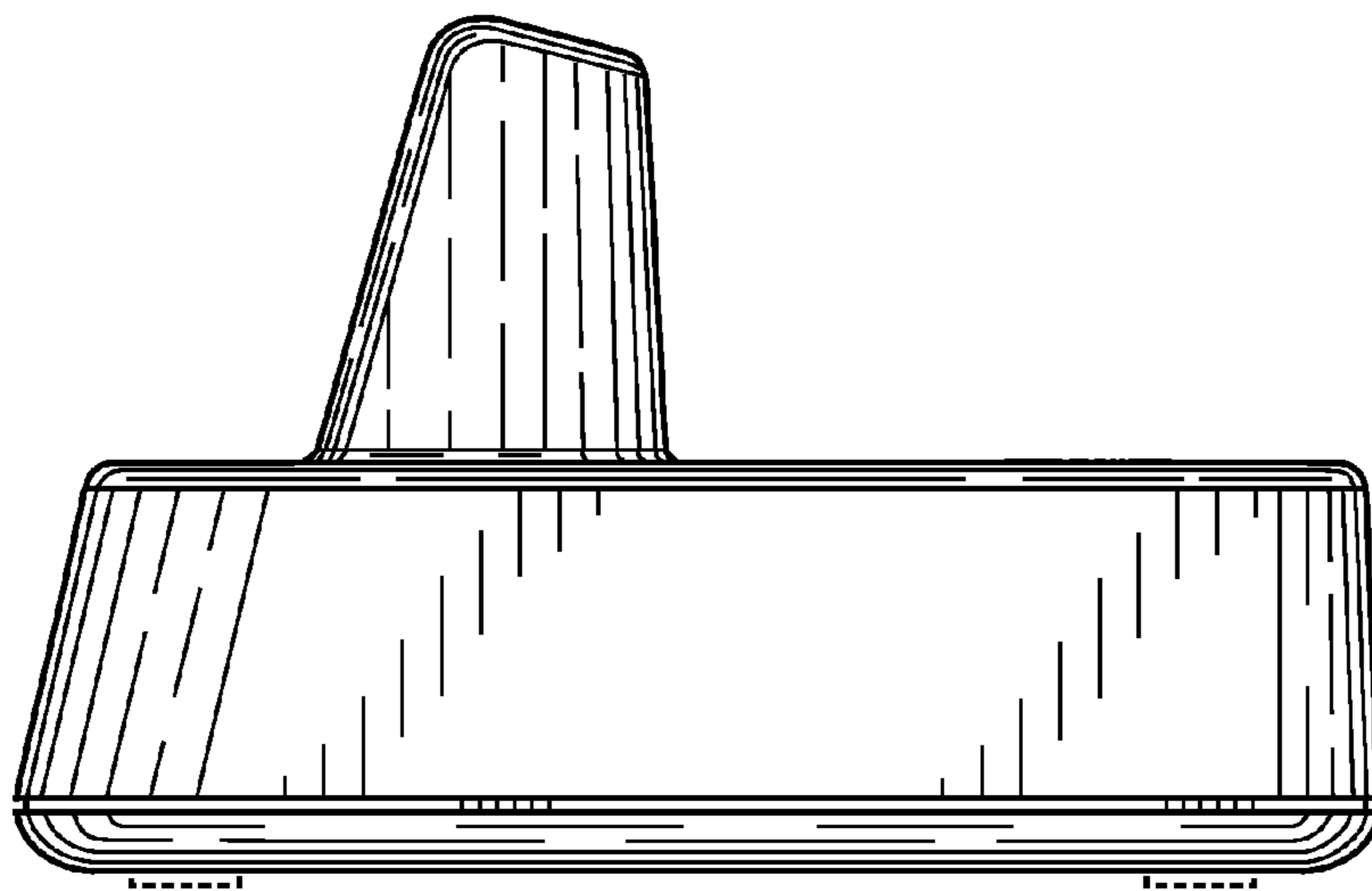


FIG. 2

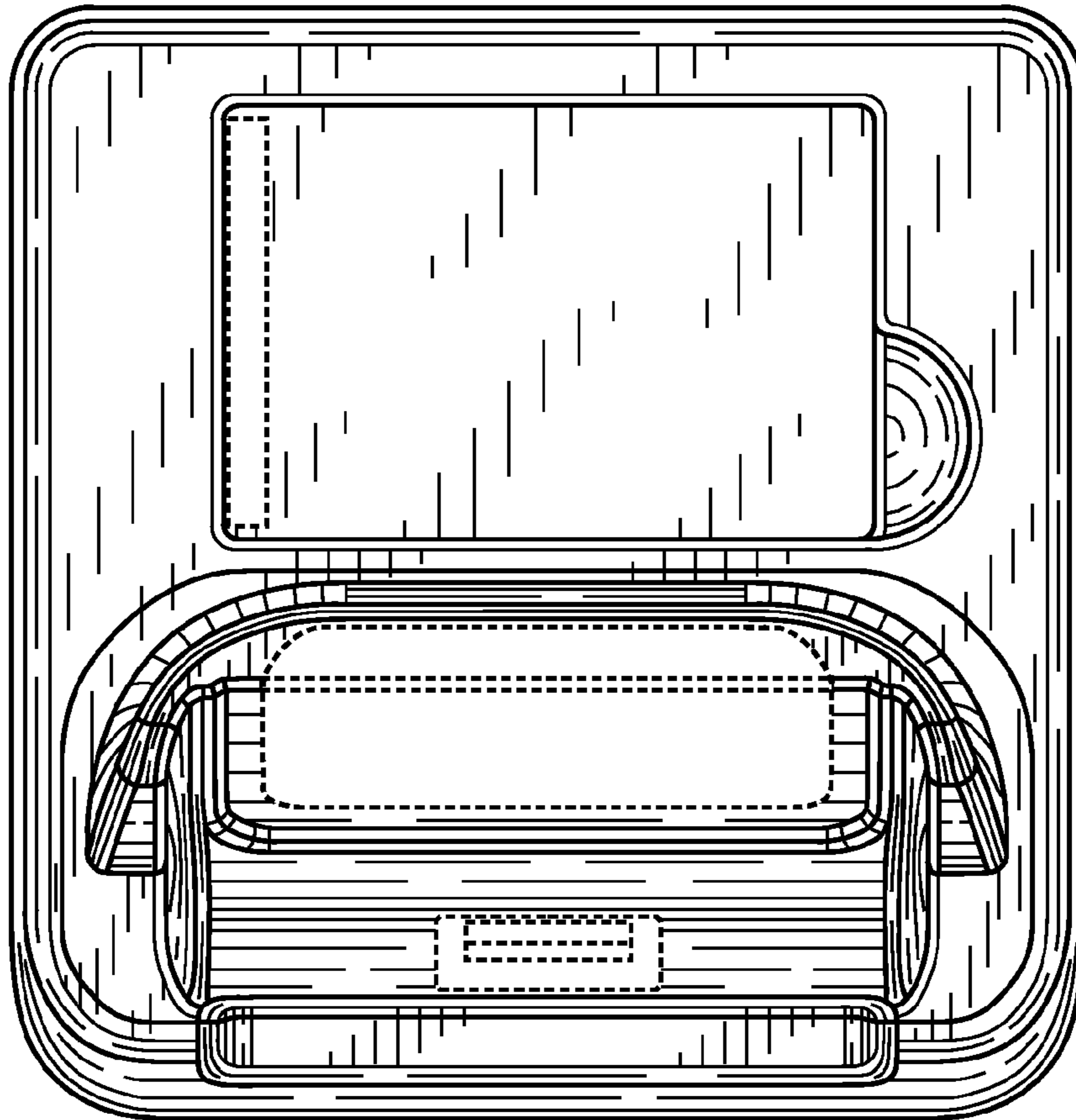


FIG. 3

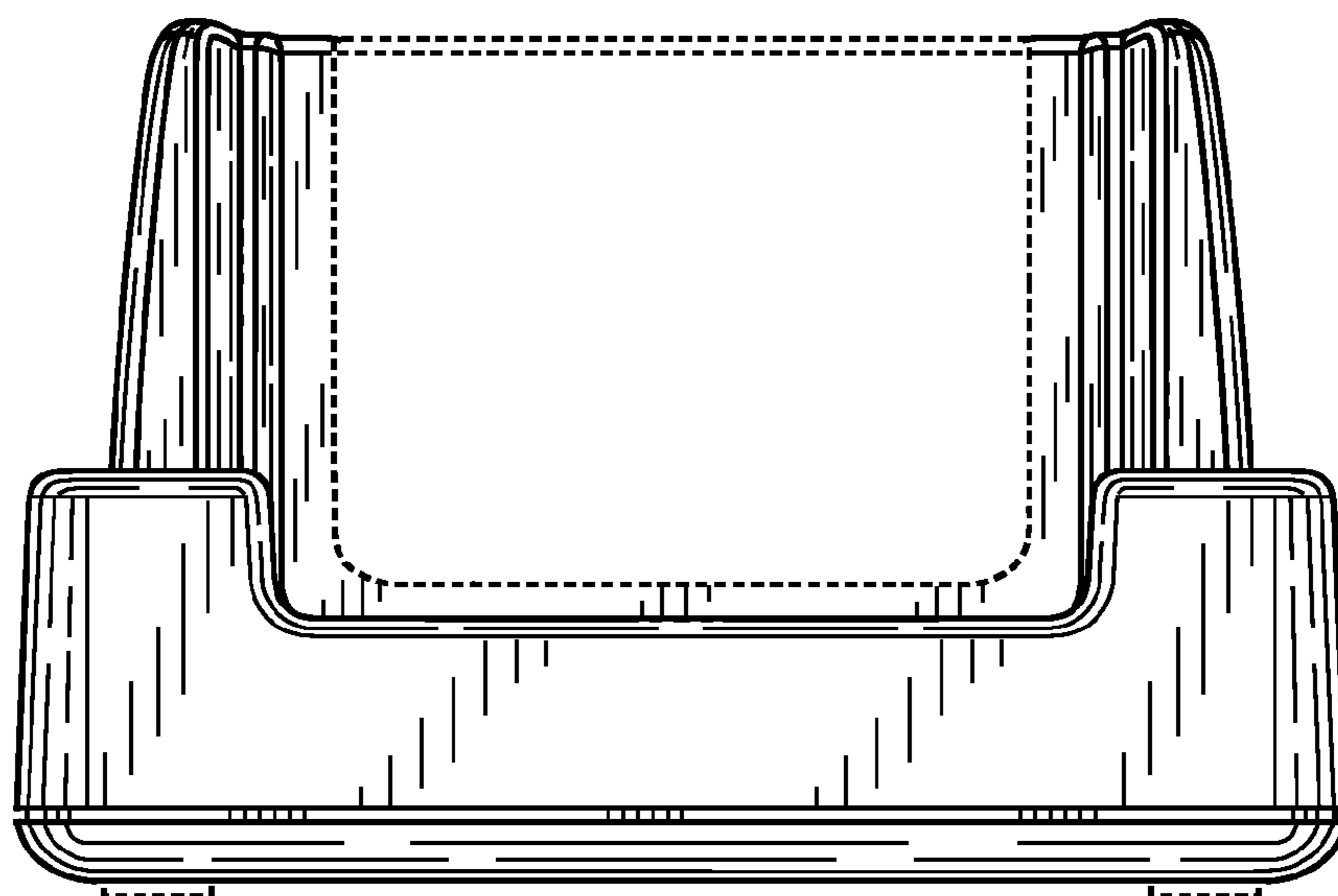


FIG. 4

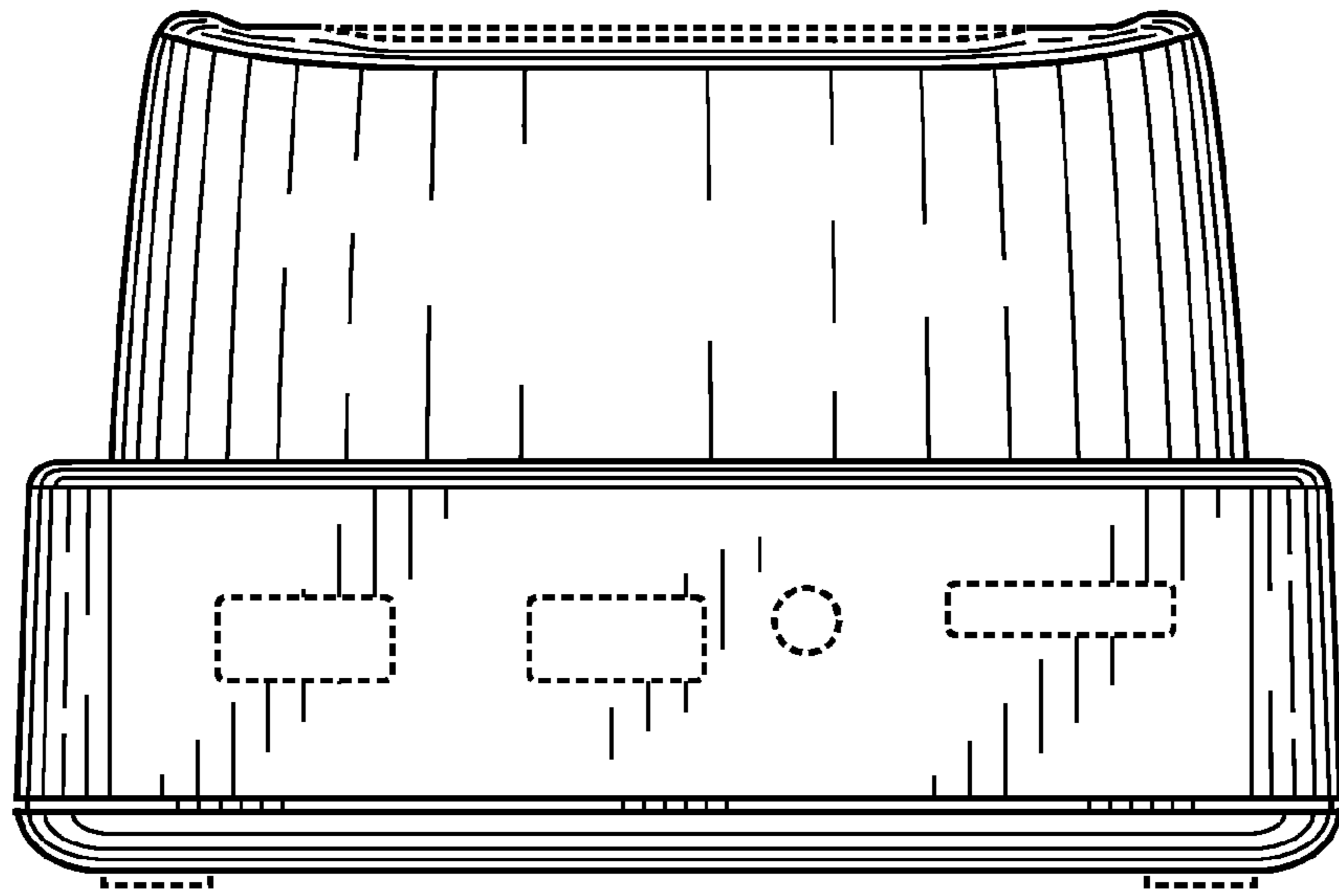


FIG. 5

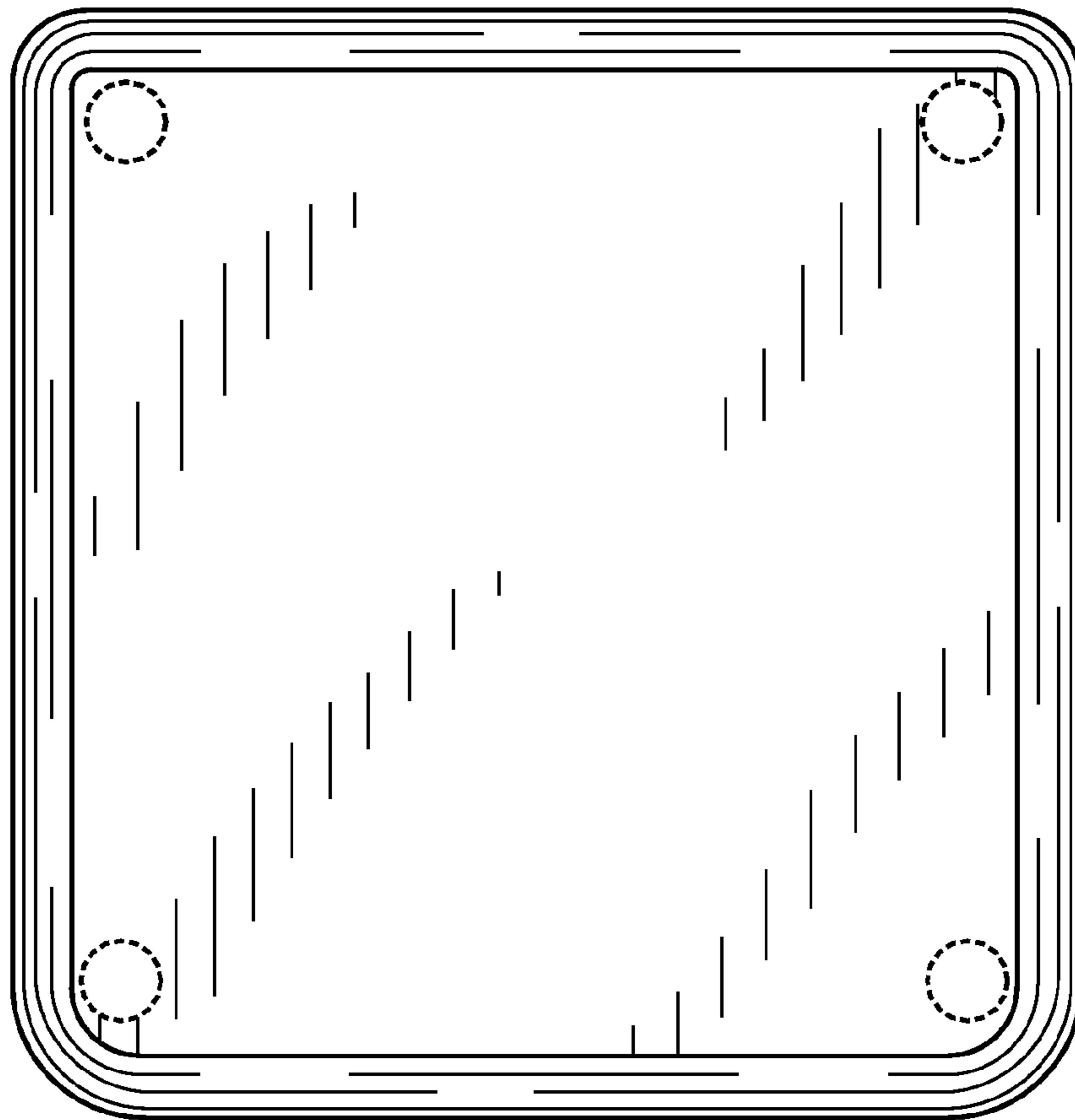


FIG. 6

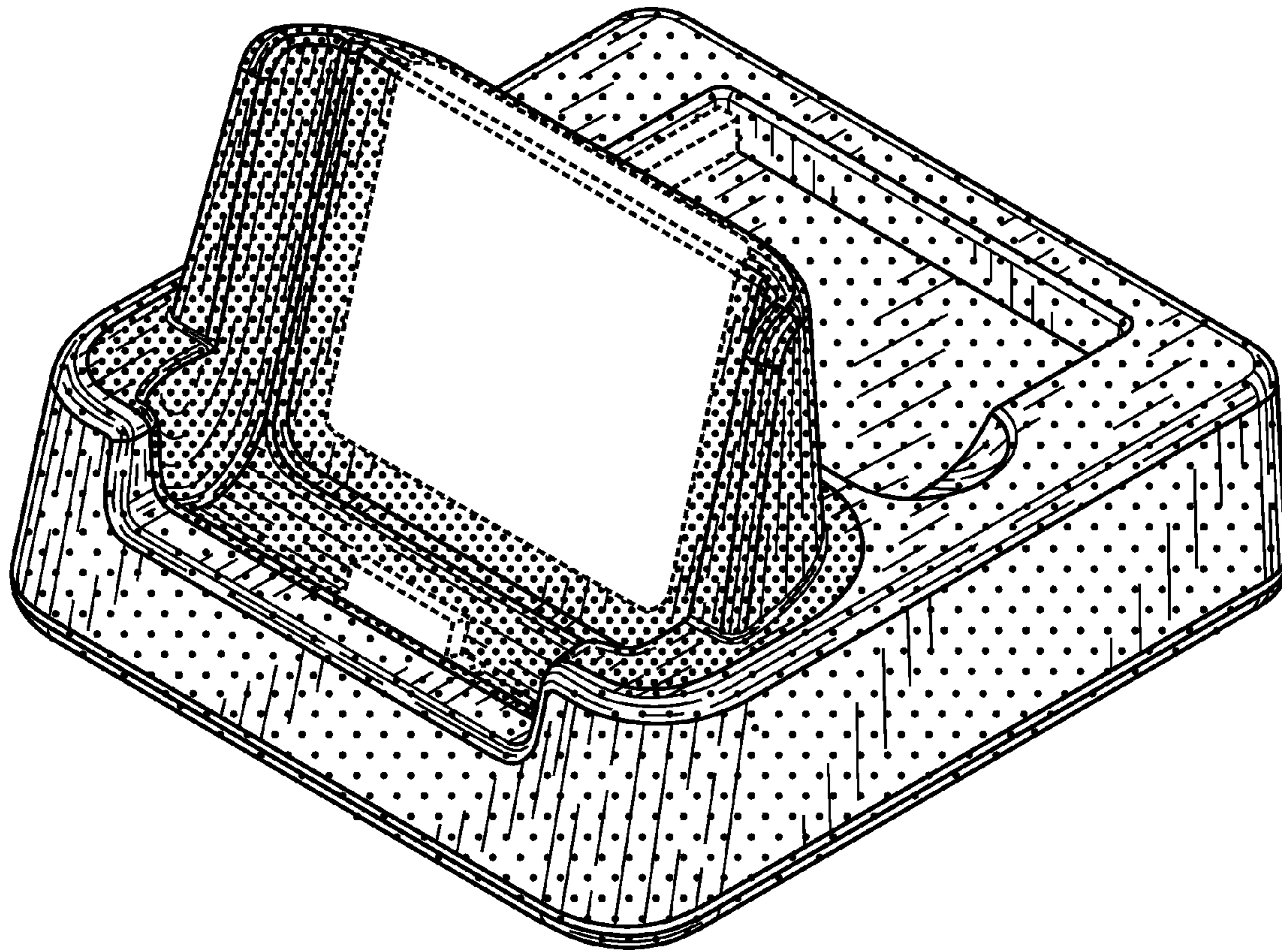


FIG. 7

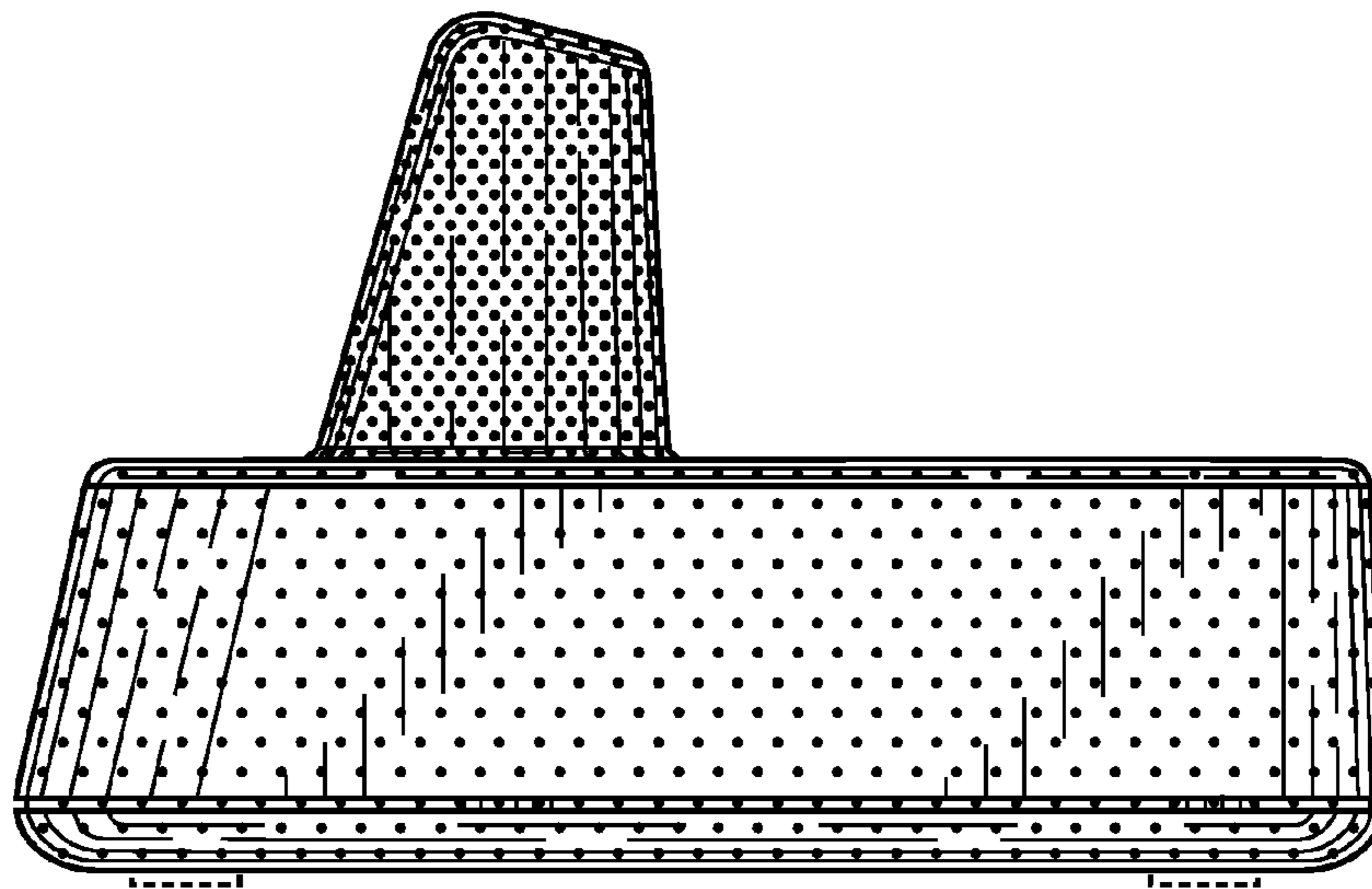


FIG. 8

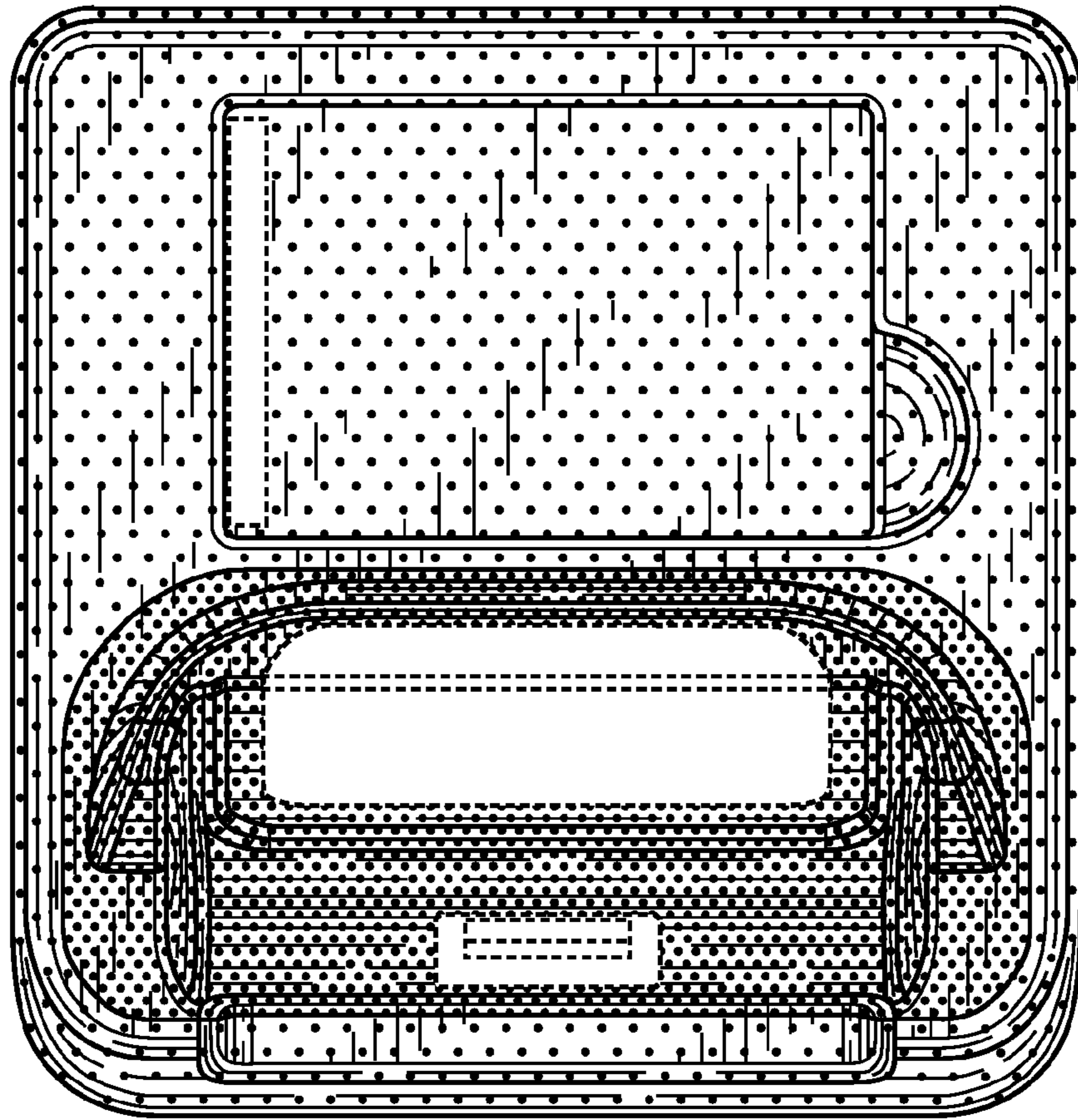


FIG. 9

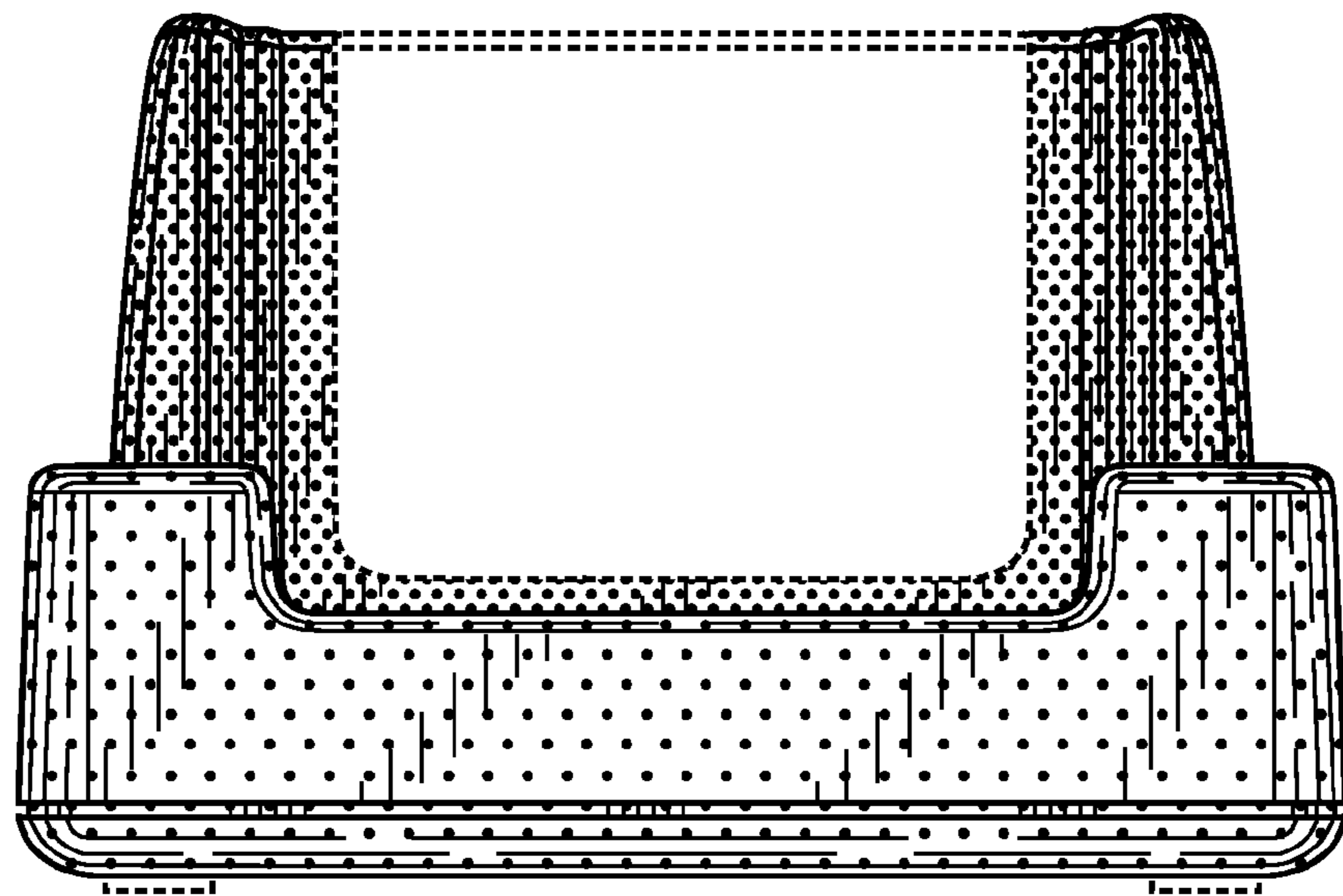


FIG. 10

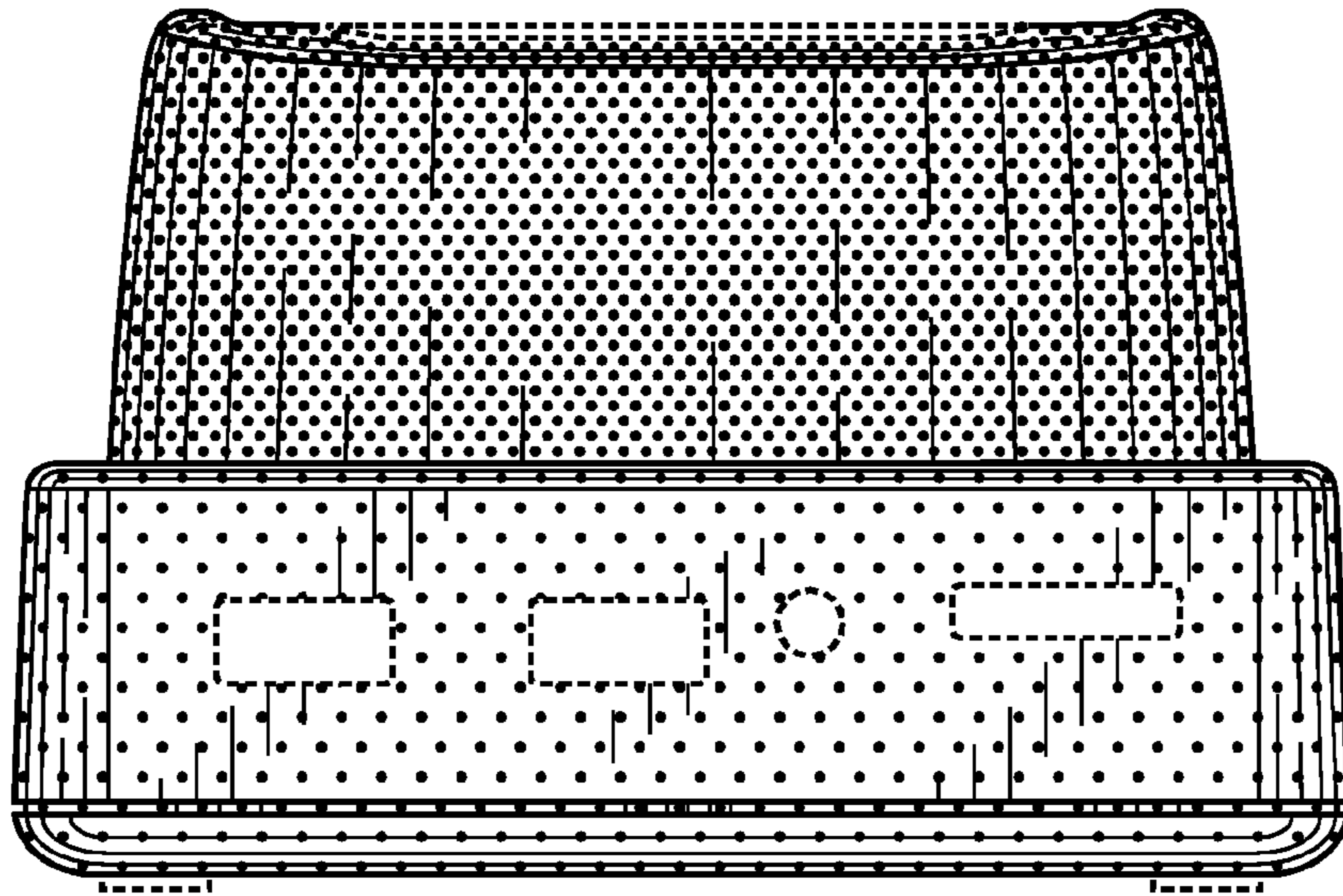


FIG. 11

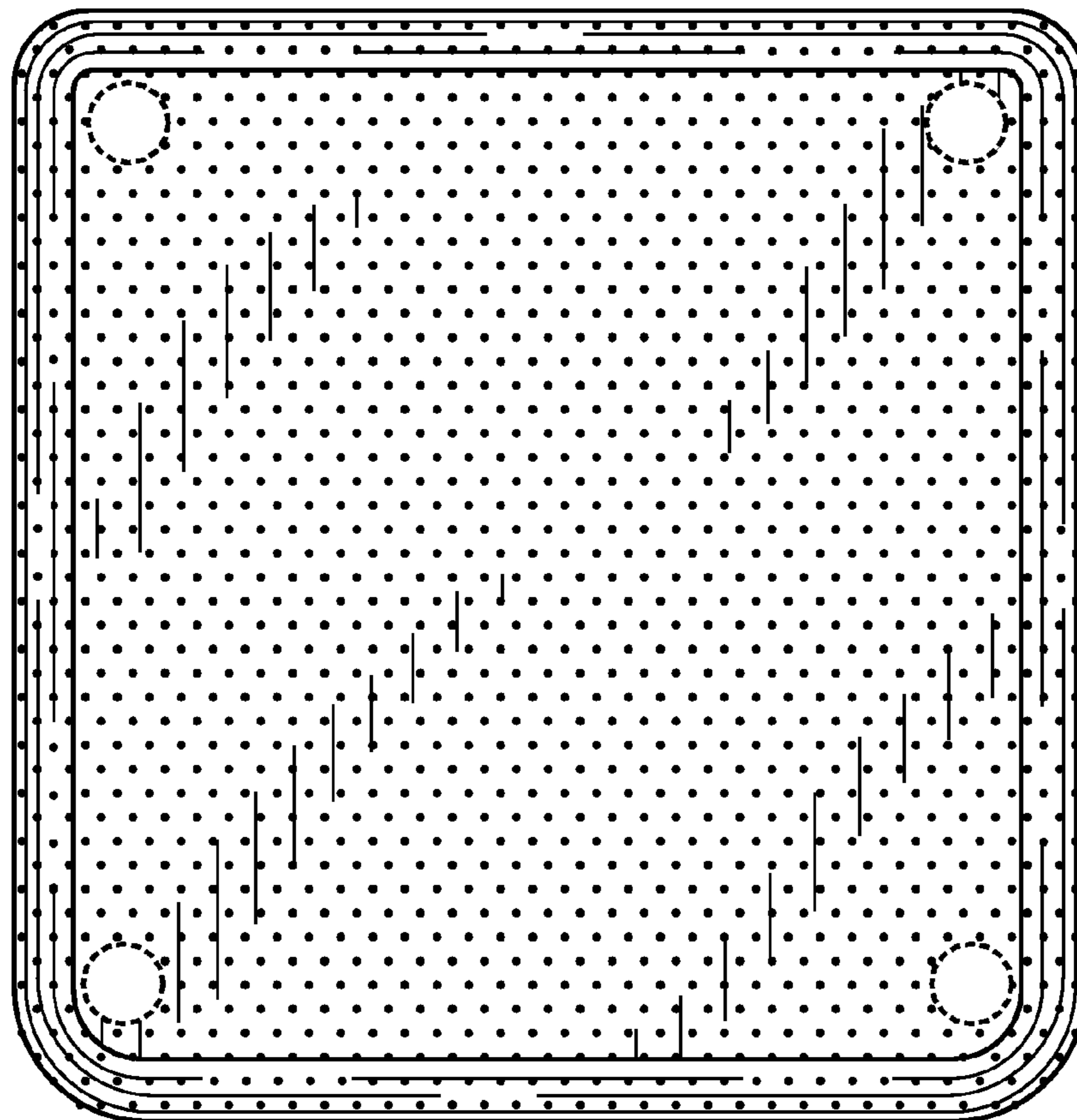


FIG. 12