



US00D584730S

(12) **United States Design Patent**  
**Lin et al.**

(10) **Patent No.:** **US D584,730 S**  
(45) **Date of Patent:** **\*\* Jan. 13, 2009**

(54) **OPTICAL FINGERPRINT READER**

6,853,444 B2 \* 2/2005 Haddad ..... 356/71  
7,181,053 B2 \* 2/2007 Wang et al. .... 382/124  
7,379,570 B2 \* 5/2008 Shyu et al. .... 382/124

(75) Inventors: **Song Lin**, ZheJiang (CN); **Dongming Wu**, ZheJiang (CN); **Jian Li**, ZheJiang (CN)

(73) Assignee: **Miaxis Biometrics Co., Ltd.**, Hangzhou, Zhejiang (CN)

\* cited by examiner

*Primary Examiner*—Antoine D Davis

(\*\*) Term: **14 Years**

(74) *Attorney, Agent, or Firm*—Troxell Law Office, PLLC

(21) Appl. No.: **29/287,932**

(57) **CLAIM**

(22) Filed: **Oct. 3, 2007**

The ornamental design for a optical fingerprint reader, as shown.

(51) **LOC (9) Cl.** ..... **10-05**

(52) **U.S. Cl.** ..... **D14/383; D14/384**

(58) **Field of Classification Search** ..... D14/383–387; 283/68, 69, 78; 340/5.1, 5.2, 5.52, 5.3, 5.8–5.86, 340/565, 567, 568, 571; 356/71; 382/115–127; 713/186; 902/3; D10/104; 200/5 A, 5 R, 200/6 A, 6 R; 235/472.1; 257/77, 78, 249, 257/679, 680, 684, 778, 914, 922; 273/148 B; 324/662; 345/156, 157, 163, 173

See application file for complete search history.

**DESCRIPTION**

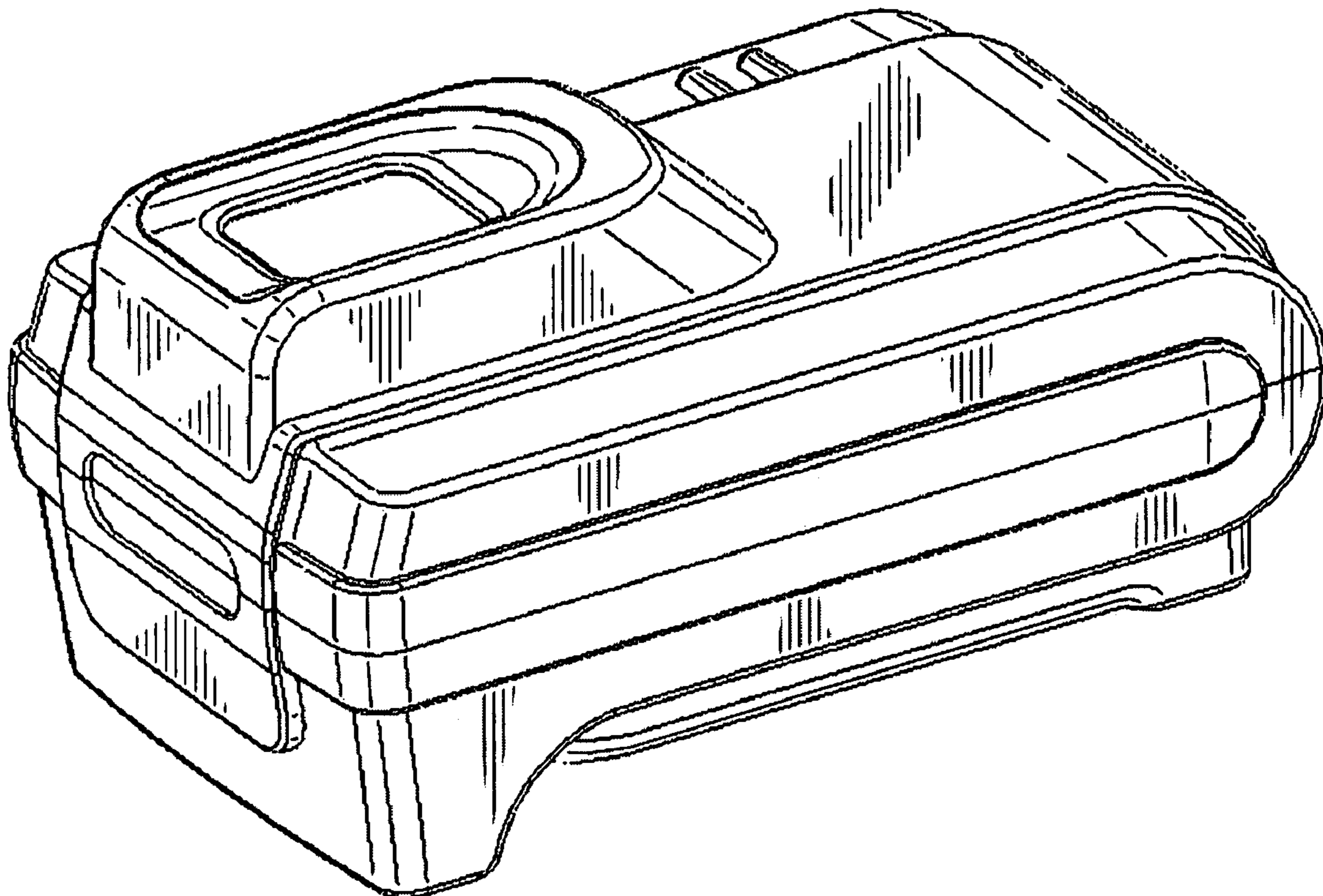
FIG. 1 is a perspective view of a optical fingerprint reader; FIG. 2 is a left side view thereof, the right side view thereof being a mirror image thereof; FIG. 3 is a rear side view thereof; FIG. 4 is a front side view thereof; FIG. 5 is a top view thereof; and, FIG. 6 is a bottom view thereof.

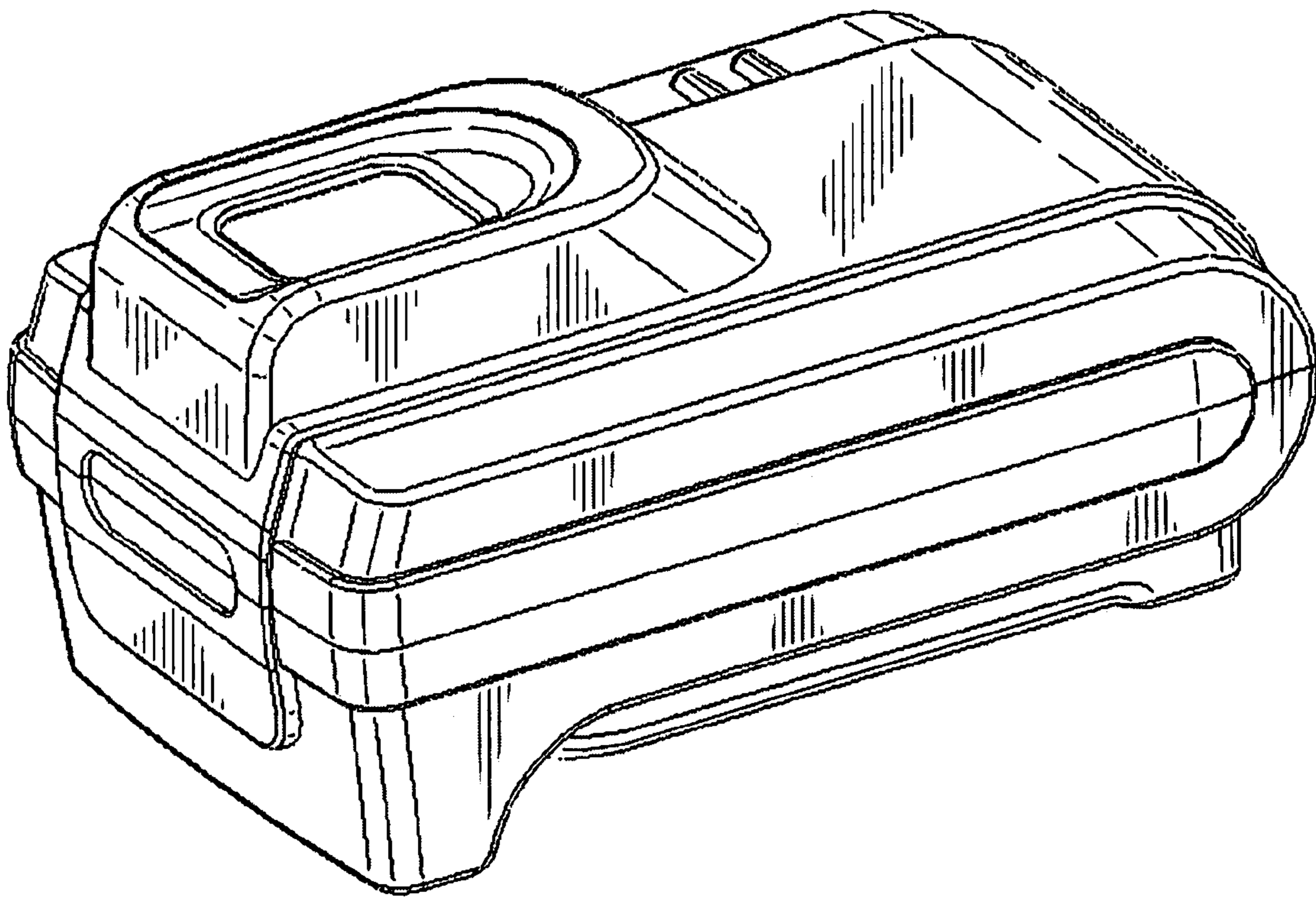
(56) **References Cited**

**U.S. PATENT DOCUMENTS**

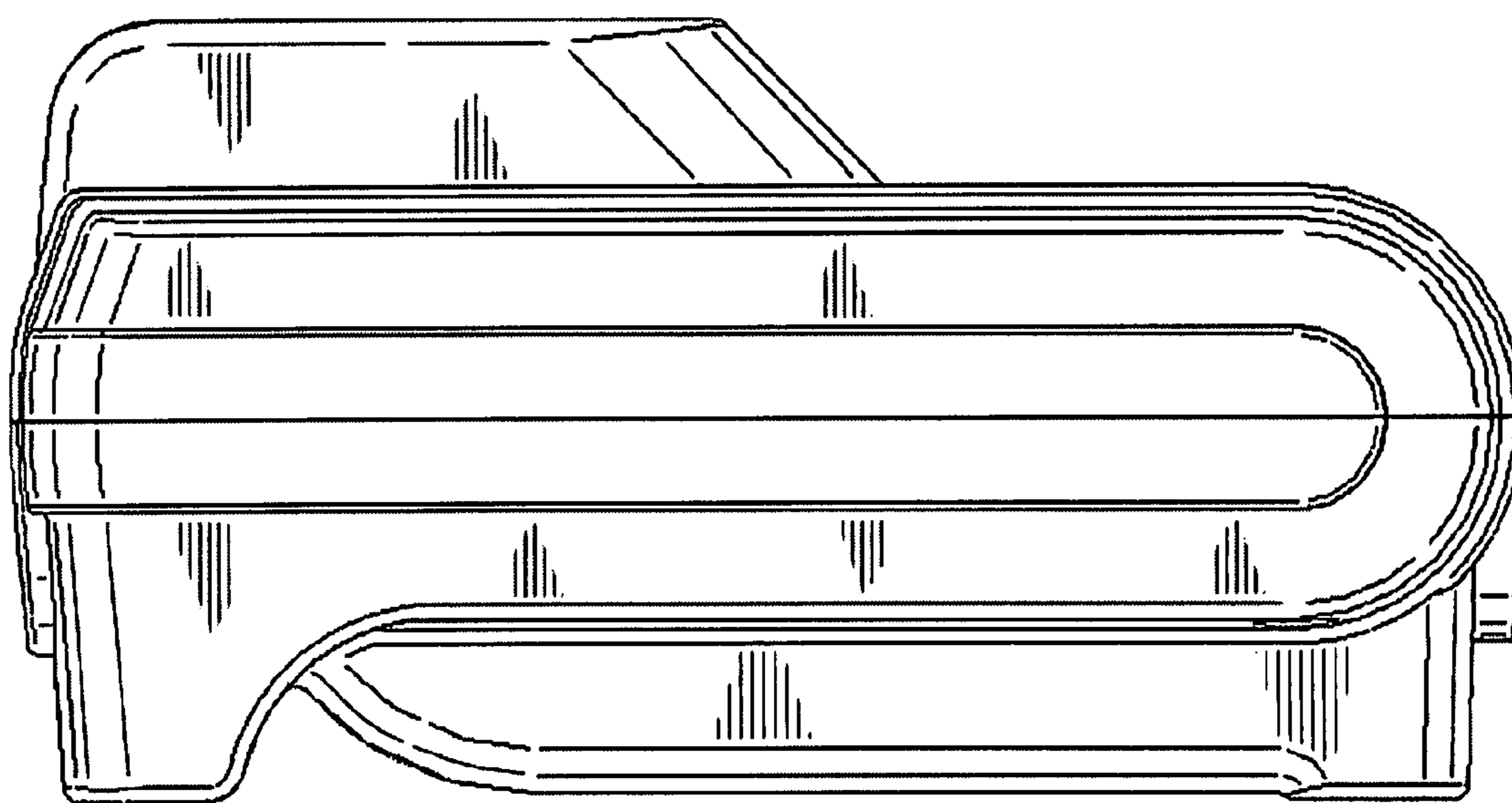
6,028,950 A \* 2/2000 Merjanian ..... 382/126

**1 Claim, 6 Drawing Sheets**

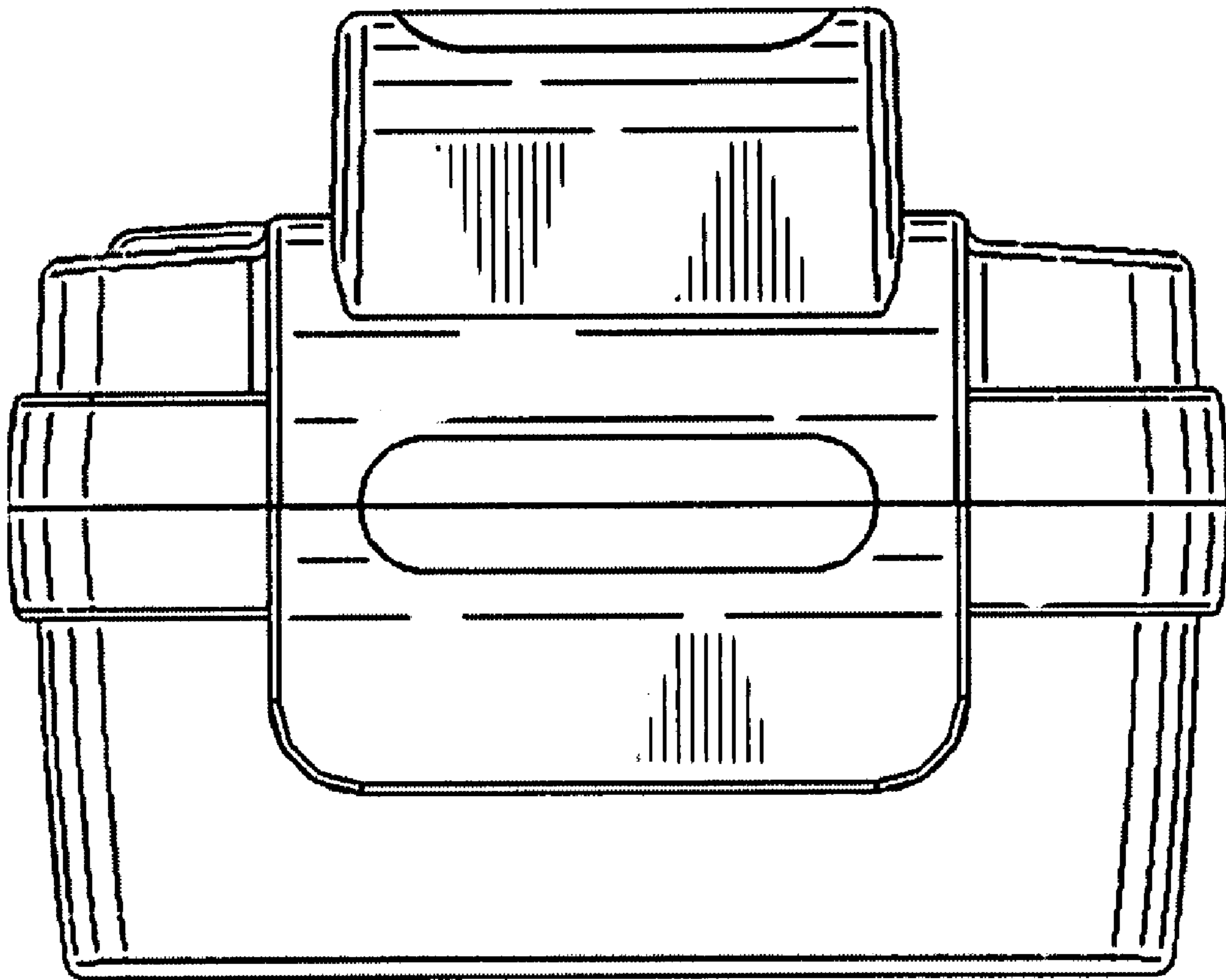




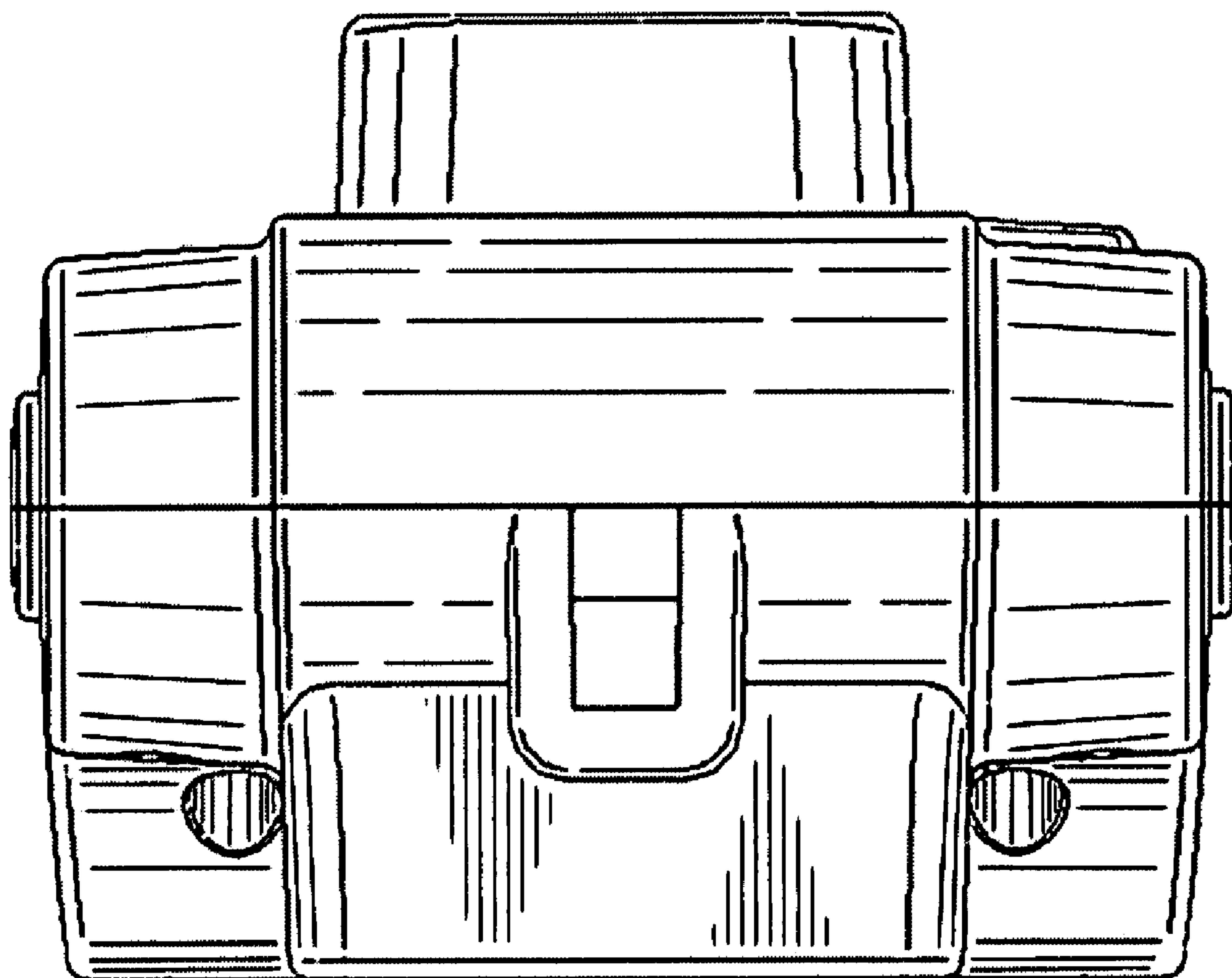
*Fig. 1*



*Fig. 2*

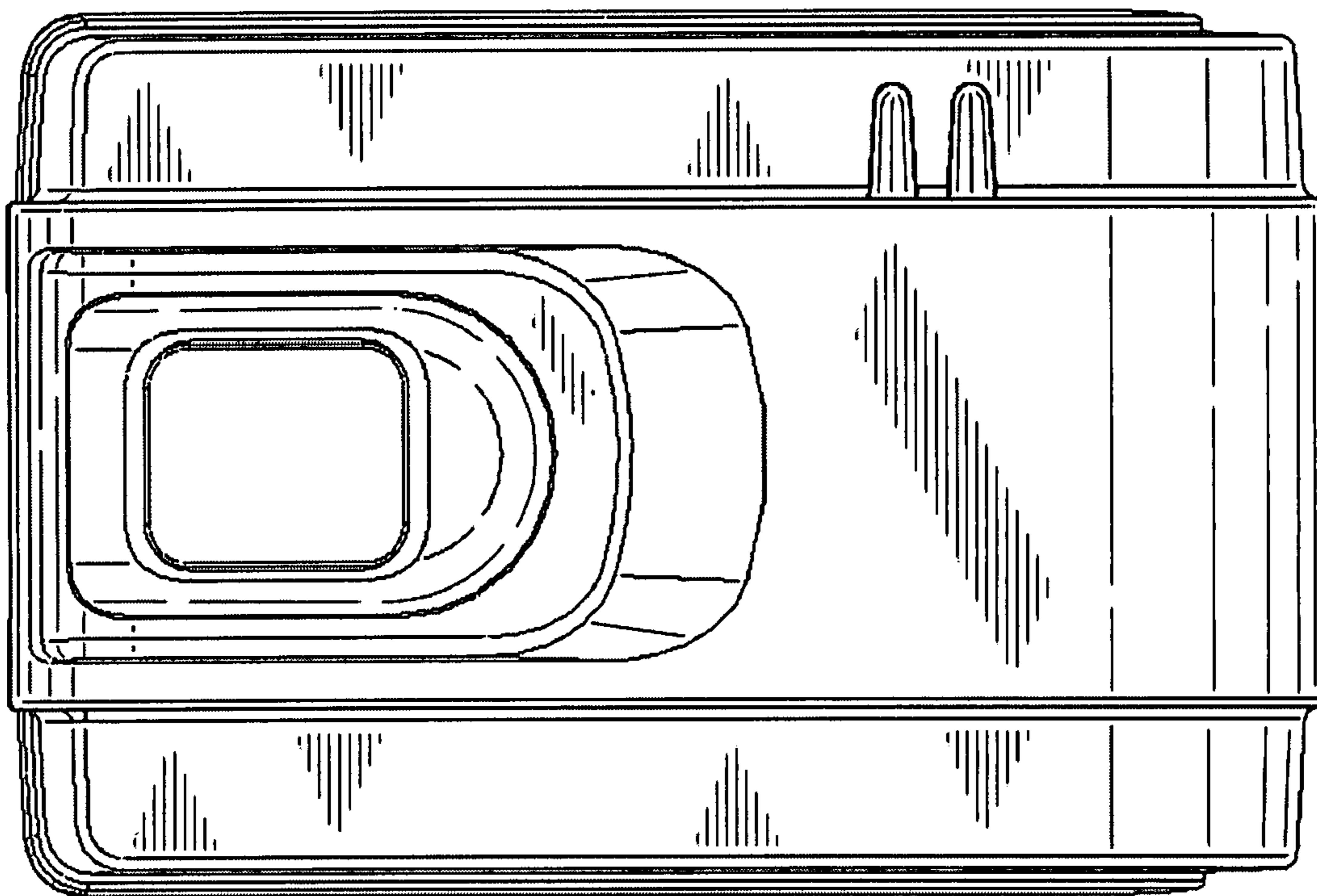


*Fig. 3*

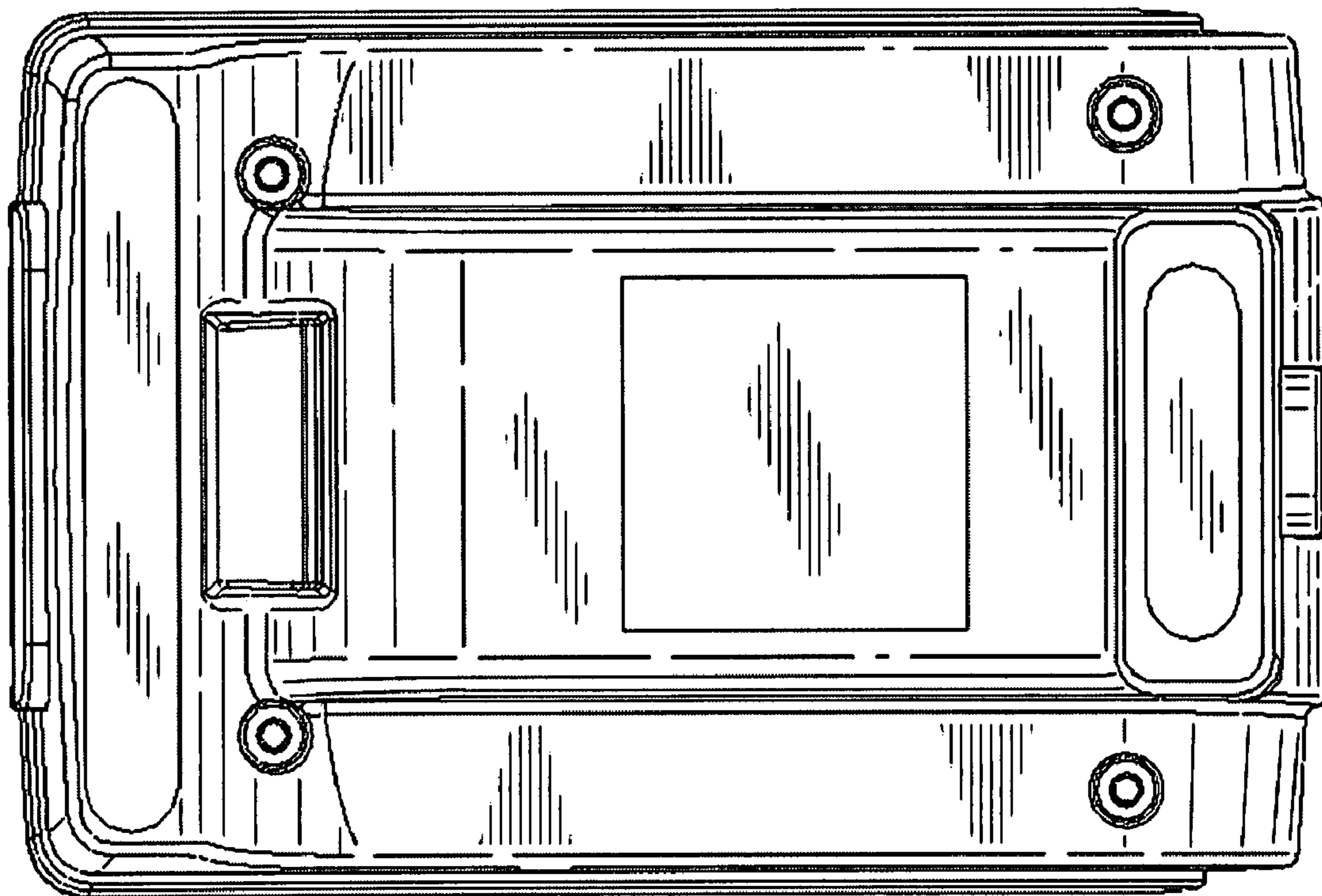


*Fig. 4*





*Fig. 5*



*Fig. 6*