



US00D584727S

(12) **United States Design Patent**
Liu

(10) **Patent No.:** **US D584,727 S**
(45) **Date of Patent:** **** Jan. 13, 2009**

(54) **PORTABLE ELECTRONIC DEVICE**

(75) Inventor: **You-Chi Liu**, Taipei (TW)

(73) Assignee: **Compal Electronics, Inc.**, Taipei (TW)

(**) Term: **14 Years**

(21) Appl. No.: **29/274,686**

(22) Filed: **May 15, 2007**

(51) **LOC (9) Cl.** **14-02**

(52) **U.S. Cl.** **D14/346**; D14/138 AC;
D14/138 AD

(58) **Field of Classification Search** D14/346,
D14/341, 342, 343, 344, 345, 347, 439, 137,
D14/138, 374, 248, 496, 125, 129; 345/169,
345/173; 379/433.04, 433.06, 433.07, 433.11,
379/433.12, 433.13; 348/14.02; 455/556.1,
455/556.2, 566, 575.1, 575.3, 575.4, 90.3;
341/22; D13/168; D18/6, 7; D21/329, 331
See application file for complete search history.

(56) **References Cited**

U.S. PATENT DOCUMENTS

D515,544 S *	2/2006	Kim et al.	D14/138
D525,609 S *	7/2006	Kim et al.	D14/138
D526,303 S *	8/2006	Kim et al.	D14/138
D531,609 S *	11/2006	Kim et al.	D14/138
D542,762 S *	5/2007	Kim et al.	D14/138
D551,646 S *	9/2007	Kim et al.	D14/138
D558,714 S *	1/2008	Kim et al.	D14/138
2006/0098813 A1 *	5/2006	Takamori et al.	379/433.13

2006/0154619 A1 *	7/2006	Bae et al.	455/90.3
2007/0037604 A1 *	2/2007	You	455/566
2007/0093281 A1 *	4/2007	Park et al.	455/575.4
2007/0142092 A1 *	6/2007	Kim	455/566
2008/0004083 A1 *	1/2008	Ohki et al.	455/566

* cited by examiner

Primary Examiner—Jennifer Rivard

Assistant Examiner—Angela J Lee

(74) *Attorney, Agent, or Firm*—Bacon & Thomas, PLLC

(57) **CLAIM**

The ornamental design for a portable electronic device, as shown and described.

DESCRIPTION

FIG. 1 is a perspective view of a portable electronic device showing our new design;

FIG. 2 is a front elevational view thereof;

FIG. 3 is a rear elevational view thereof;

FIG. 4 is a left-side, elevational view thereof;

FIG. 5 is a right-side, elevational view thereof;

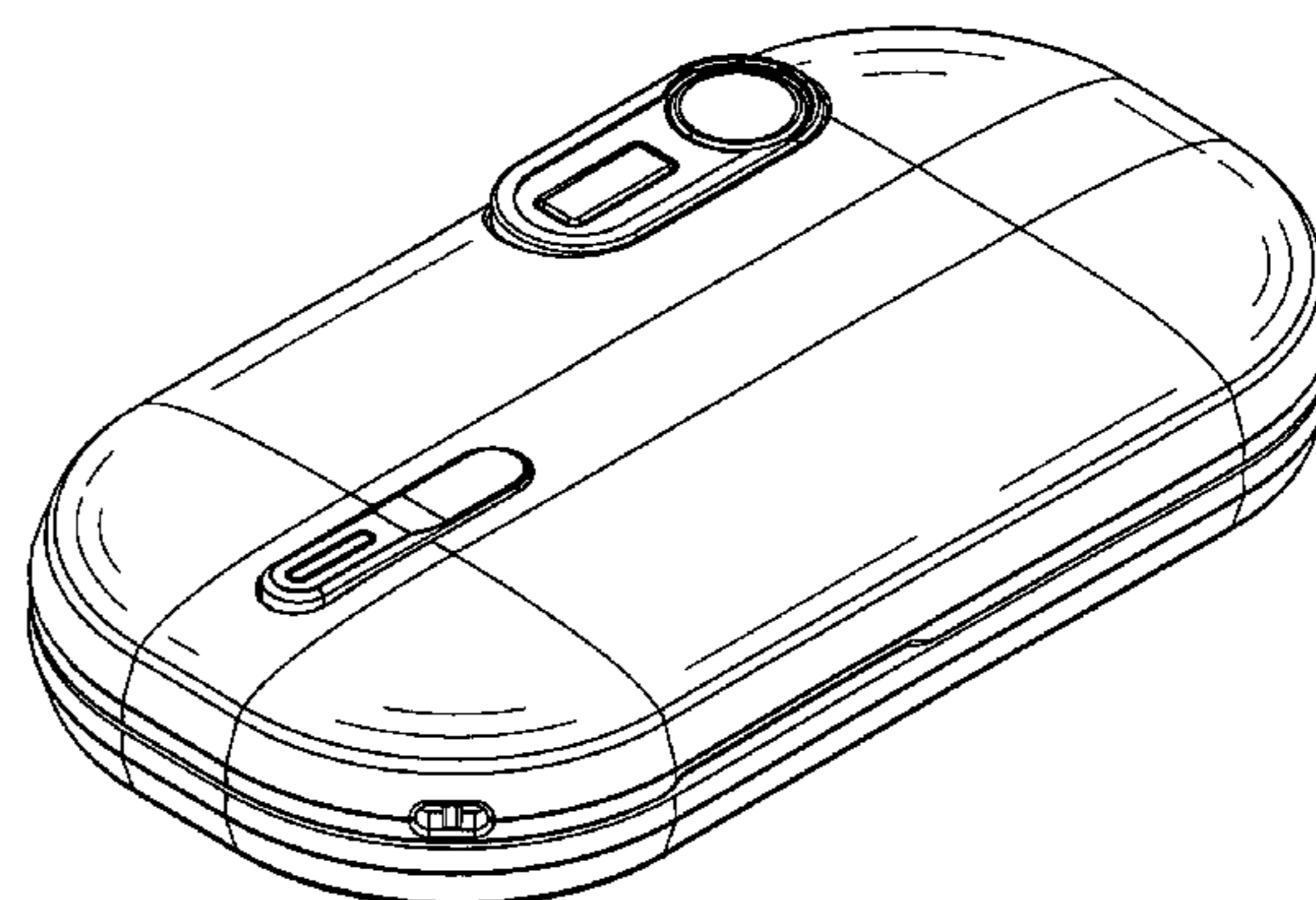
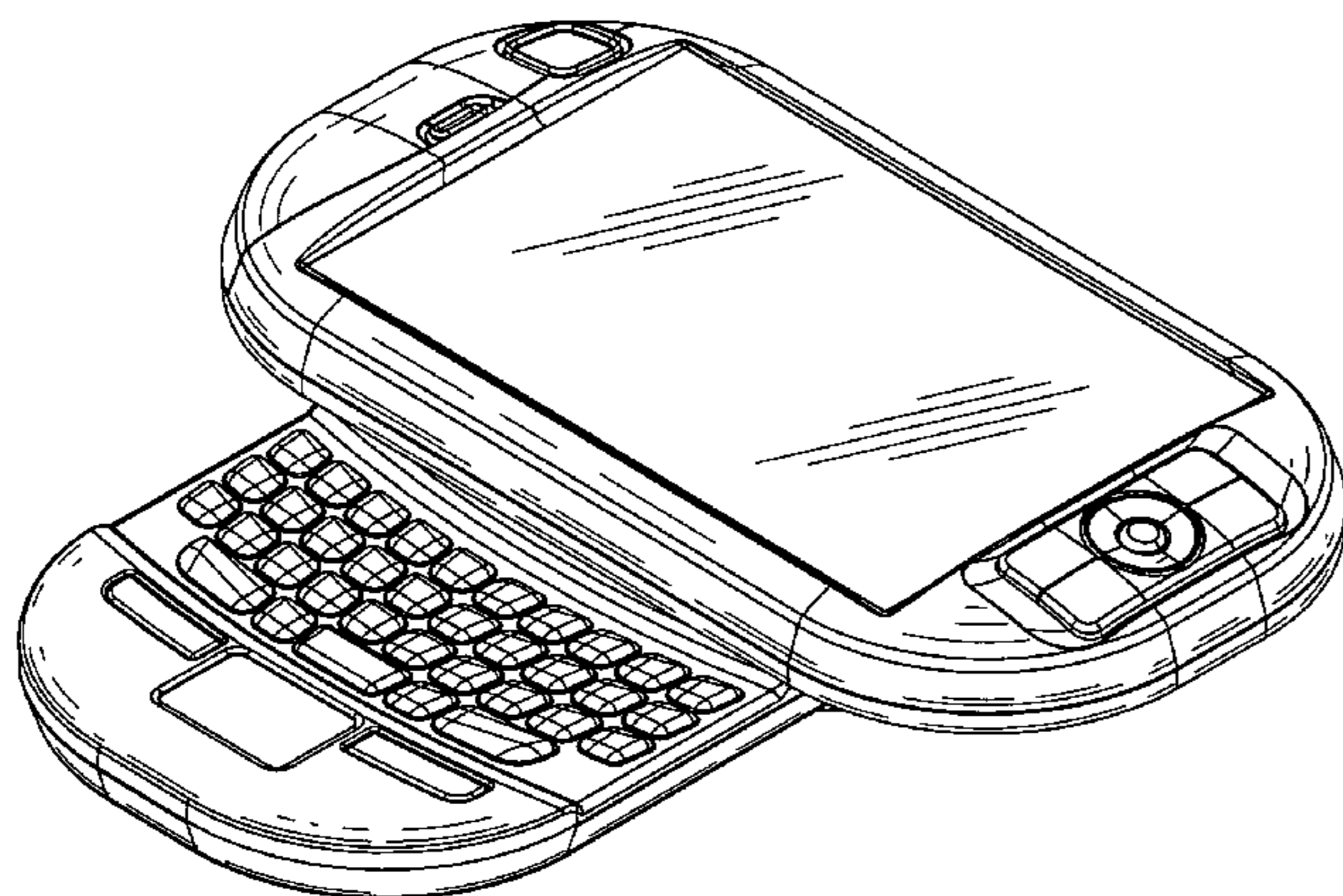
FIG. 6 is a top plan view thereof;

FIG. 7 is a bottom plan view thereof;

FIG. 8 is a perspective view of the portable electronic device shown in the closed position; and,

FIG. 9 is another perspective view of the portable electronic device shown in the closed position.

1 Claim, 7 Drawing Sheets



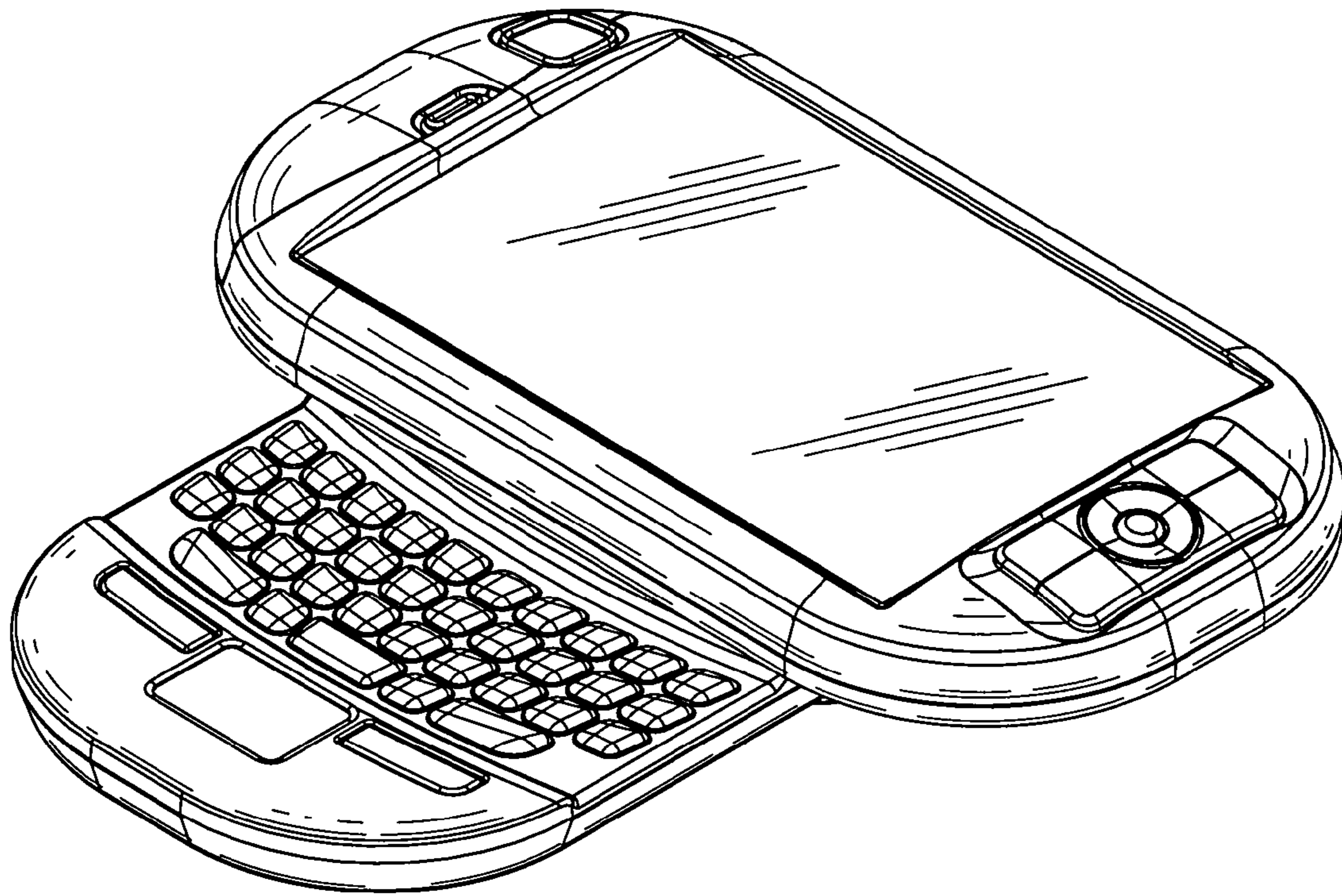


FIG. 1

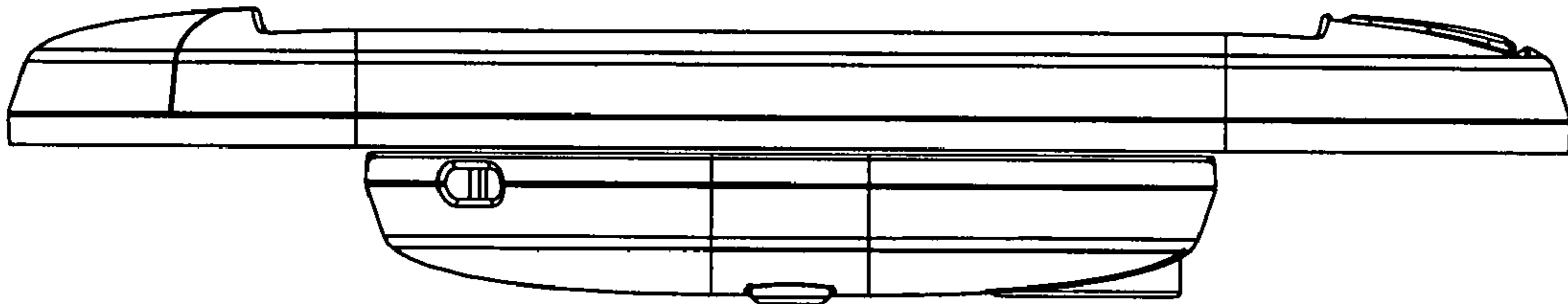


FIG. 2

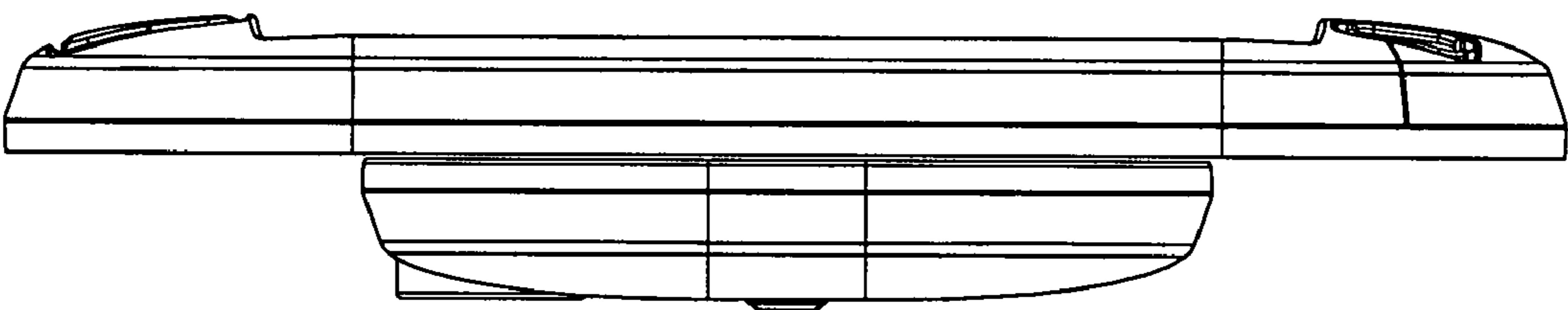


FIG. 3

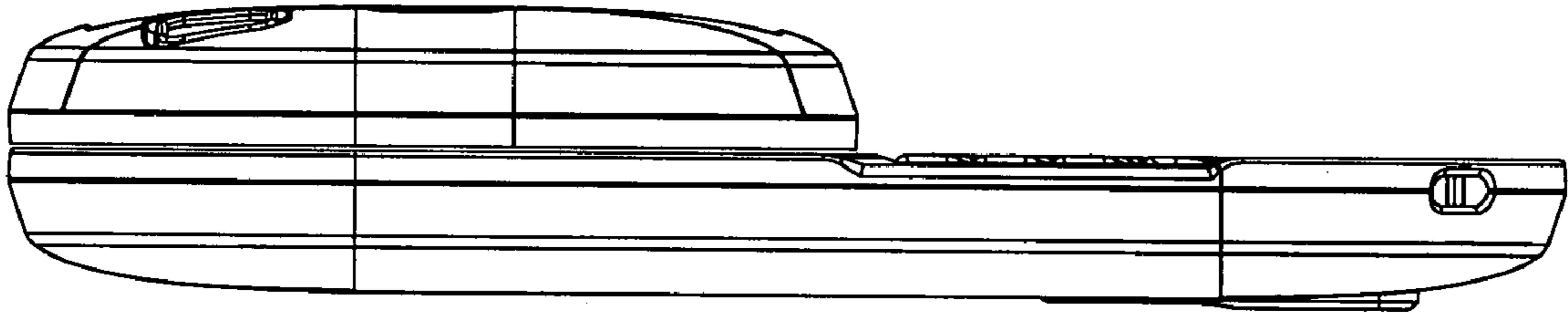


FIG. 4

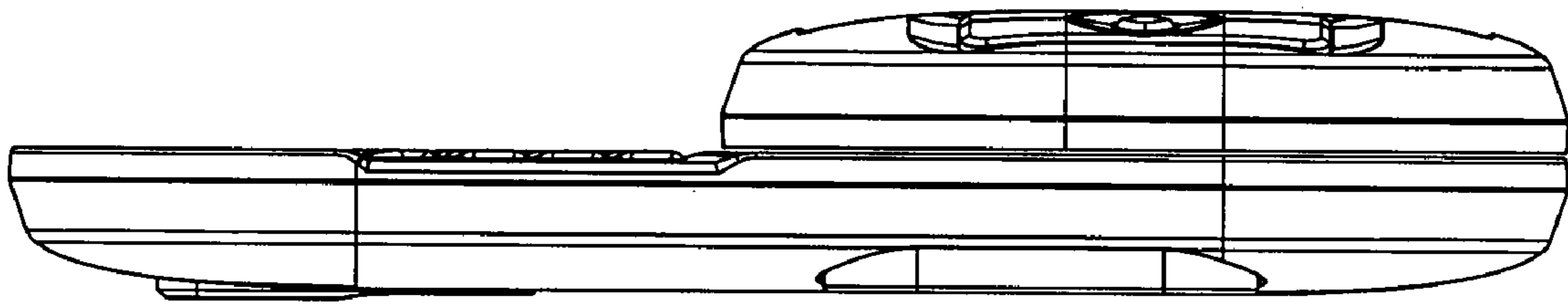


FIG. 5

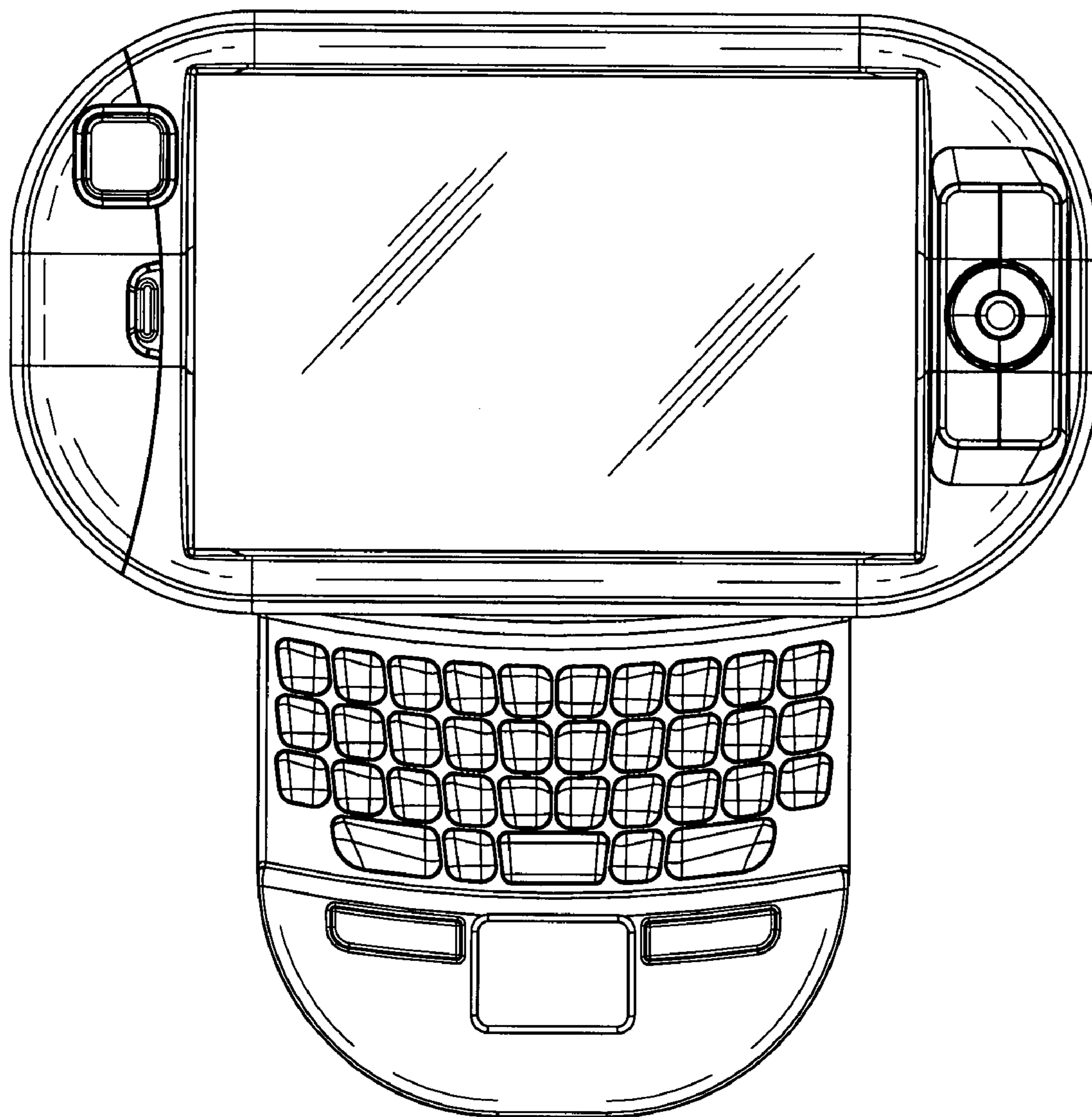


FIG. 6

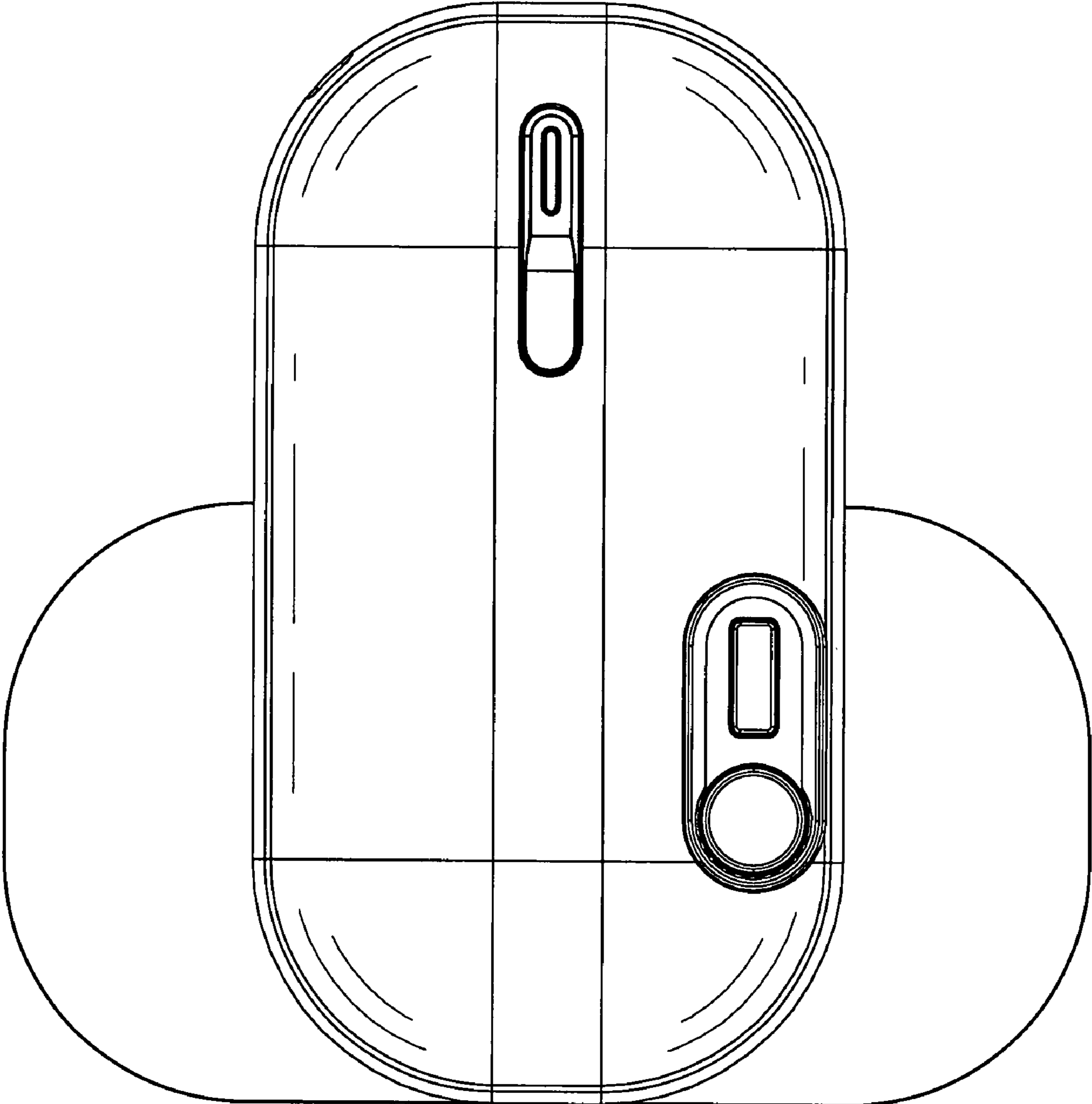


FIG. 7

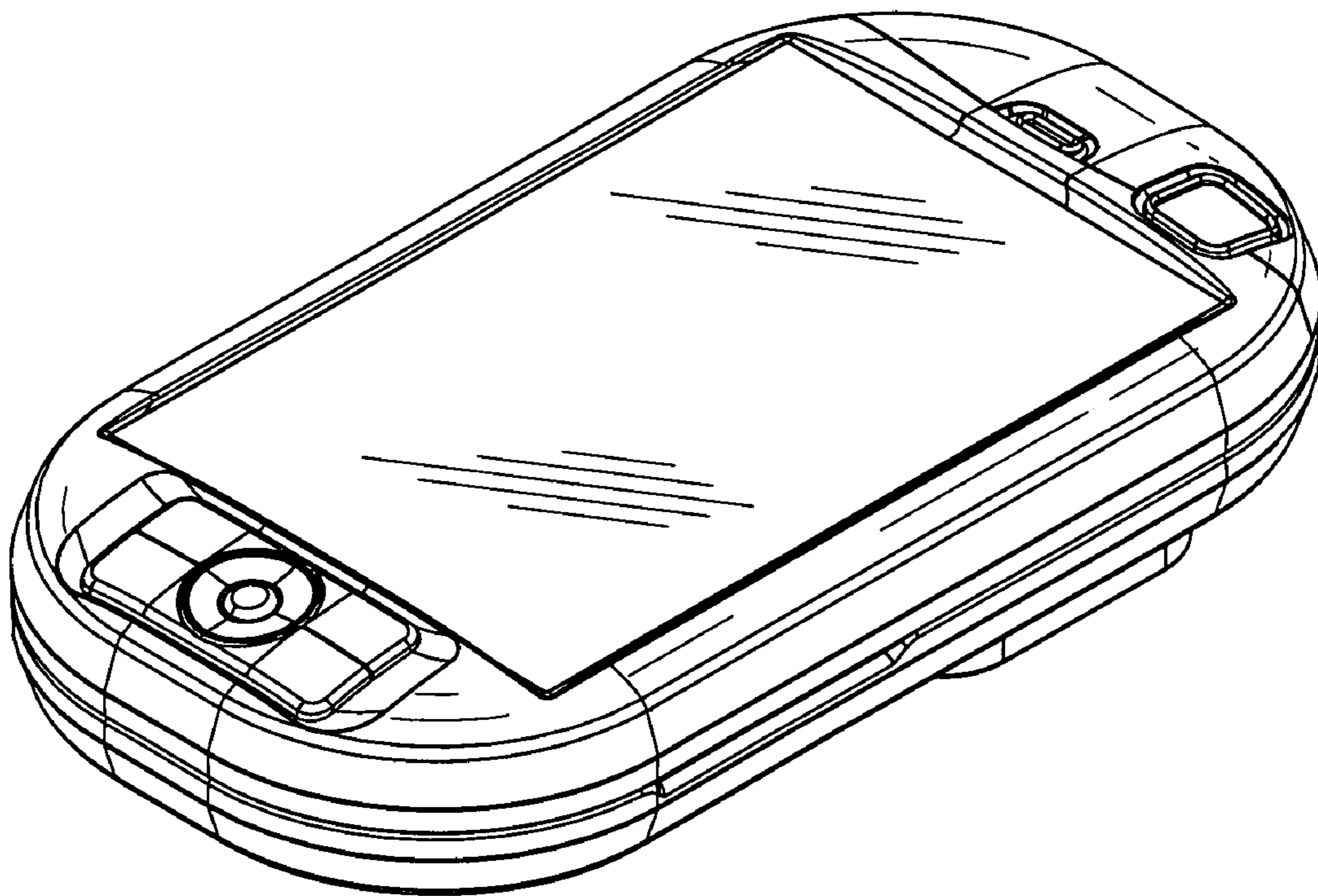


FIG. 8



FIG. 9