



US00D584726S

(12) **United States Design Patent**
Morita

(10) **Patent No.:** **US D584,726 S**
(45) **Date of Patent:** **** Jan. 13, 2009**

(54) **PORTABLE INFORMATION TERMINAL UNIT**

D448,764 S 10/2001 Marsalka et al.
D486,823 S 2/2004 Kuo
D487,457 S 3/2004 Liu

(75) Inventor: **Fumio Morita**, Tokyo (JP)

(Continued)

(73) Assignee: **Kabushiki Kaisha Toshiba**, Tokyo (JP)

FOREIGN PATENT DOCUMENTS

(**) Term: **14 Years**

JP	894474	3/1994
JP	1102866	3/2001
JP	1189159	11/2003
JP	1260942	1/2006
KR	30-0362475	9/2004

(21) Appl. No.: **29/304,000**

(22) Filed: **Feb. 22, 2008**

(30) **Foreign Application Priority Data**

Sep. 21, 2007 (JP) 2007-025755

Primary Examiner—Cathron Brooks

Assistant Examiner—Barbara Fox

(74) *Attorney, Agent, or Firm*—Banner & Witcoff, Ltd.

(51) **LOC (9) Cl.** **14-02**

(52) **U.S. Cl.** **D14/341**

(58) **Field of Classification Search** D14/341,
D14/342, 343, 344, 345, 346, 347, 420, 426,
D14/427, 432, 439, 440, 441, 448, 496, 125,
D14/137, 129, 130, 138, 250, 389, 147, 218,
D14/247, 248, 156, 315–327; D10/65, 78,
D10/104, 46; D13/168; D18/1, 2, 6, 7; D21/329,
D21/686; D6/596, 601, 605; 455/90.3, 556.1,
455/556.2, 575.1, 575.3, 575.4; 379/433.01,
379/433.04, 433.06, 433.07; 361/814; 341/22;
345/169, 173; D19/59–60

See application file for complete search history.

(57) **CLAIM**

The ornamental design for a portable information terminal unit, as shown and described.

DESCRIPTION

FIG. 1 is a front perspective view of a portable information terminal unit, showing my new design;

FIG. 2 is a perspective view in a folded state thereof;

FIG. 3 is a front view of the portable information terminal unit of FIG. 1 shown in the open state;

FIG. 4 is a rear view thereof;

FIG. 5 is a top view thereof;

FIG. 6 is a bottom view thereof;

FIG. 7 is a left side view thereof;

FIG. 8 is a right side view thereof;

FIG. 9 is a front view in a folded state thereof;

FIG. 10 is a bottom view in a folded state thereof; and,

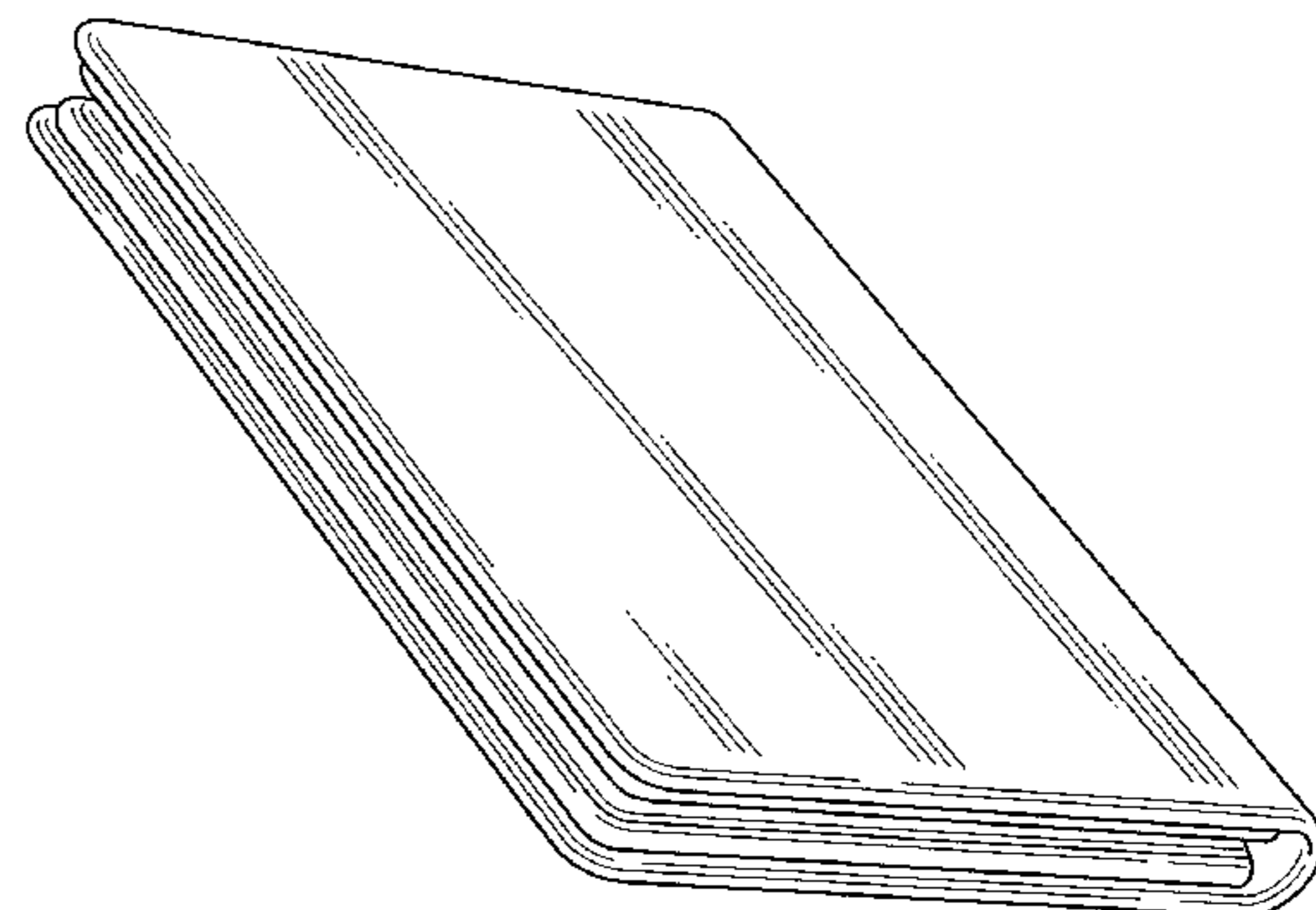
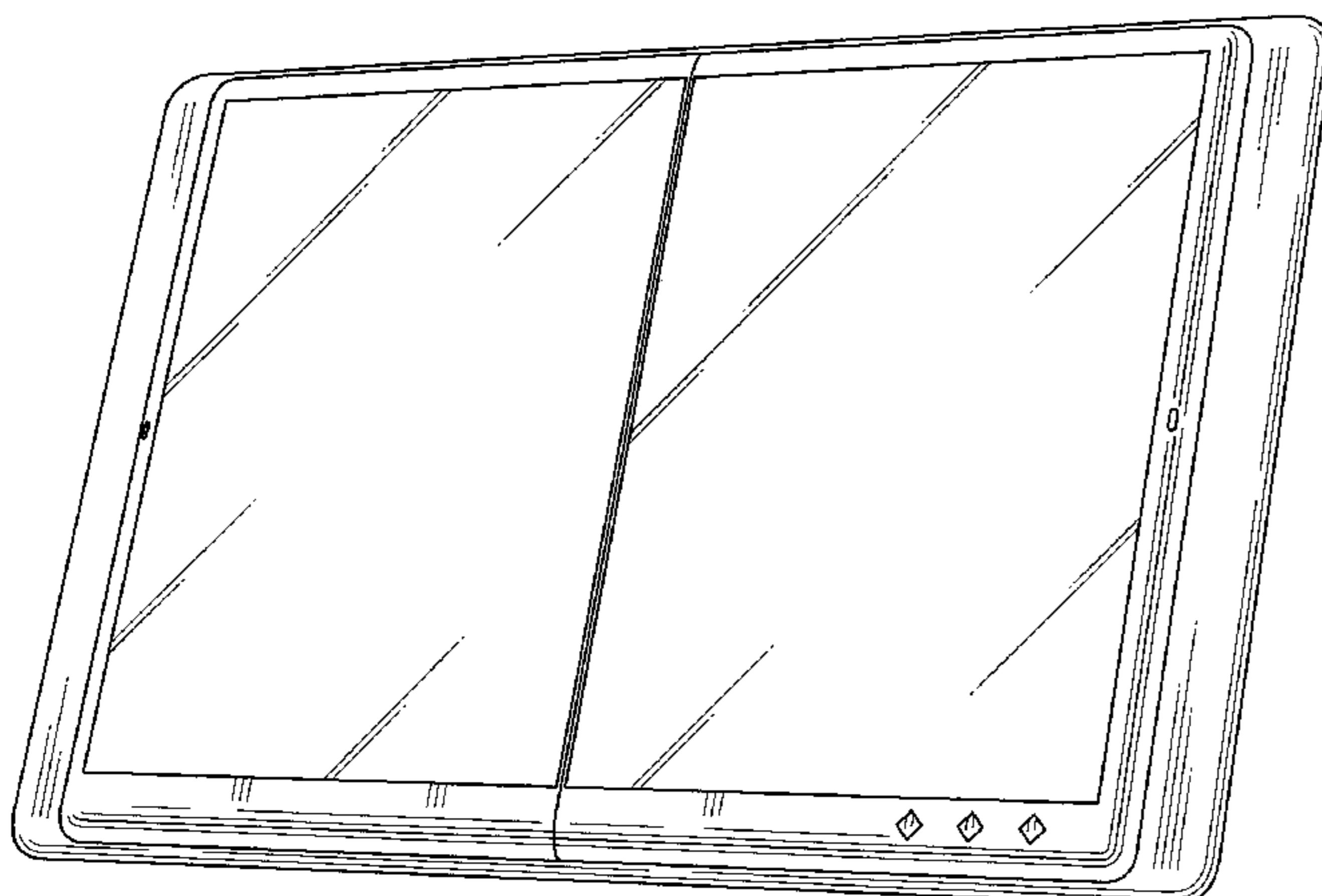
FIG. 11 is a left side view in a folded state thereof.

(56) **References Cited**

U.S. PATENT DOCUMENTS

D308,055 S	5/1990	Tedham et al.	
D337,322 S	7/1993	Tso	
D366,280 S *	1/1996	Henderson	D19/52
5,663,748 A *	9/1997	Huffman et al.	345/173
D391,987 S *	3/1998	Jambhekar et al.	D14/345
D395,639 S	6/1998	Ham et al.	
D396,452 S	7/1998	Naruki	
D410,443 S	6/1999	Matsumoto	
D428,882 S *	8/2000	Musa	D14/345
D435,550 S *	12/2000	Chu et al.	D14/345

1 Claim, 4 Drawing Sheets



US D584,726 S

Page 2

U.S. PATENT DOCUMENTS

D487,742 S	3/2004	Huang et al.	D511,162 S	11/2005	Majumder et al.
D490,420 S	5/2004	Solomon et al.	D517,545 S	3/2006	Buckel et al.
D490,807 S	6/2004	Murata	D520,562 S *	5/2006	Nash D19/52
D493,463 S *	7/2004	Takahashi D14/373	D521,068 S *	5/2006	Newbould D19/52
D494,164 S	8/2004	Wu et al.	D523,853 S *	6/2006	Ishikawa et al. D14/345
D506,195 S	6/2005	Leveridge et al.	D543,979 S	6/2007	Lee
D509,247 S *	9/2005	Nash D19/52	2006/0079277 A1 *	4/2006	Ditzik 455/556.1

* cited by examiner

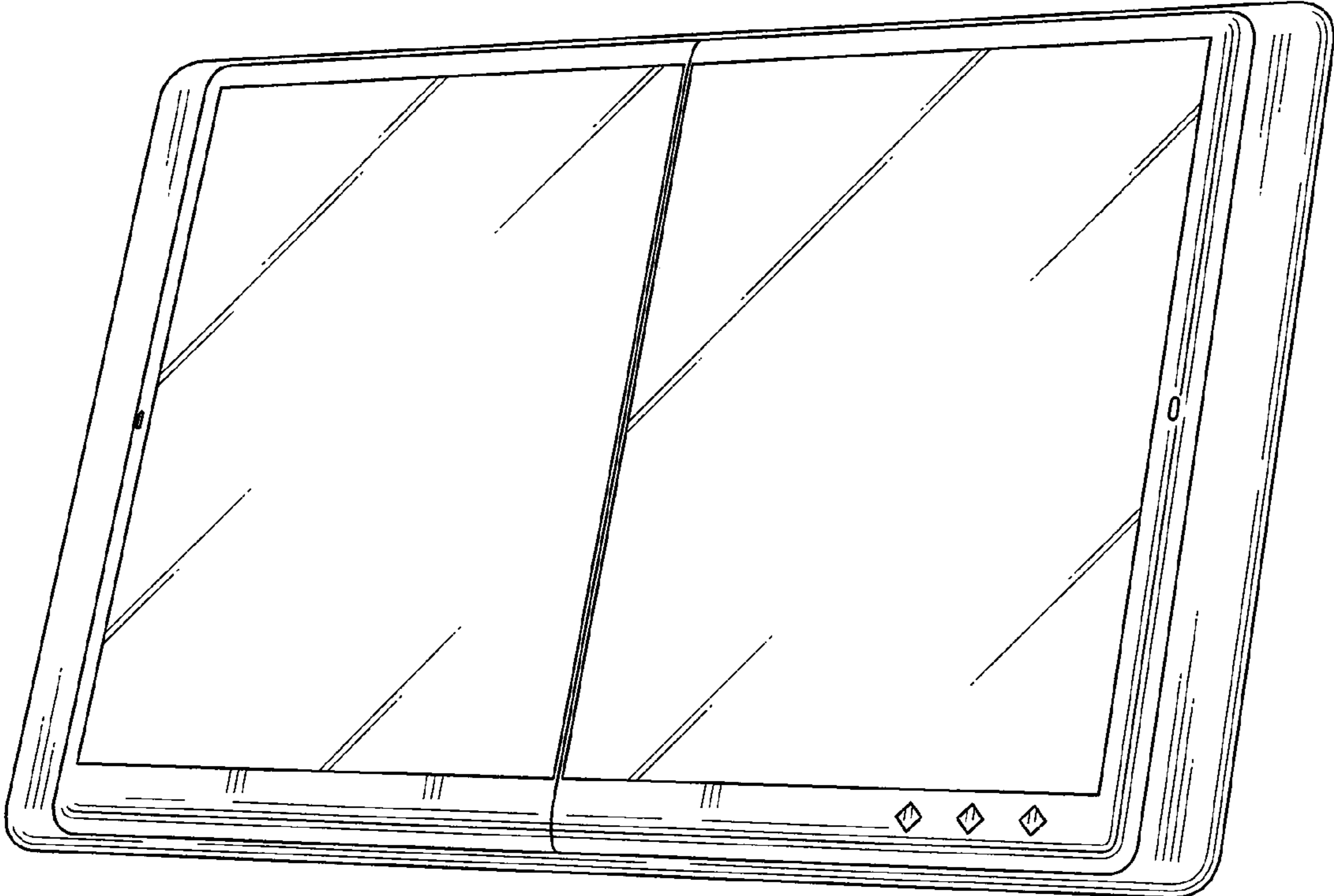


FIG.1

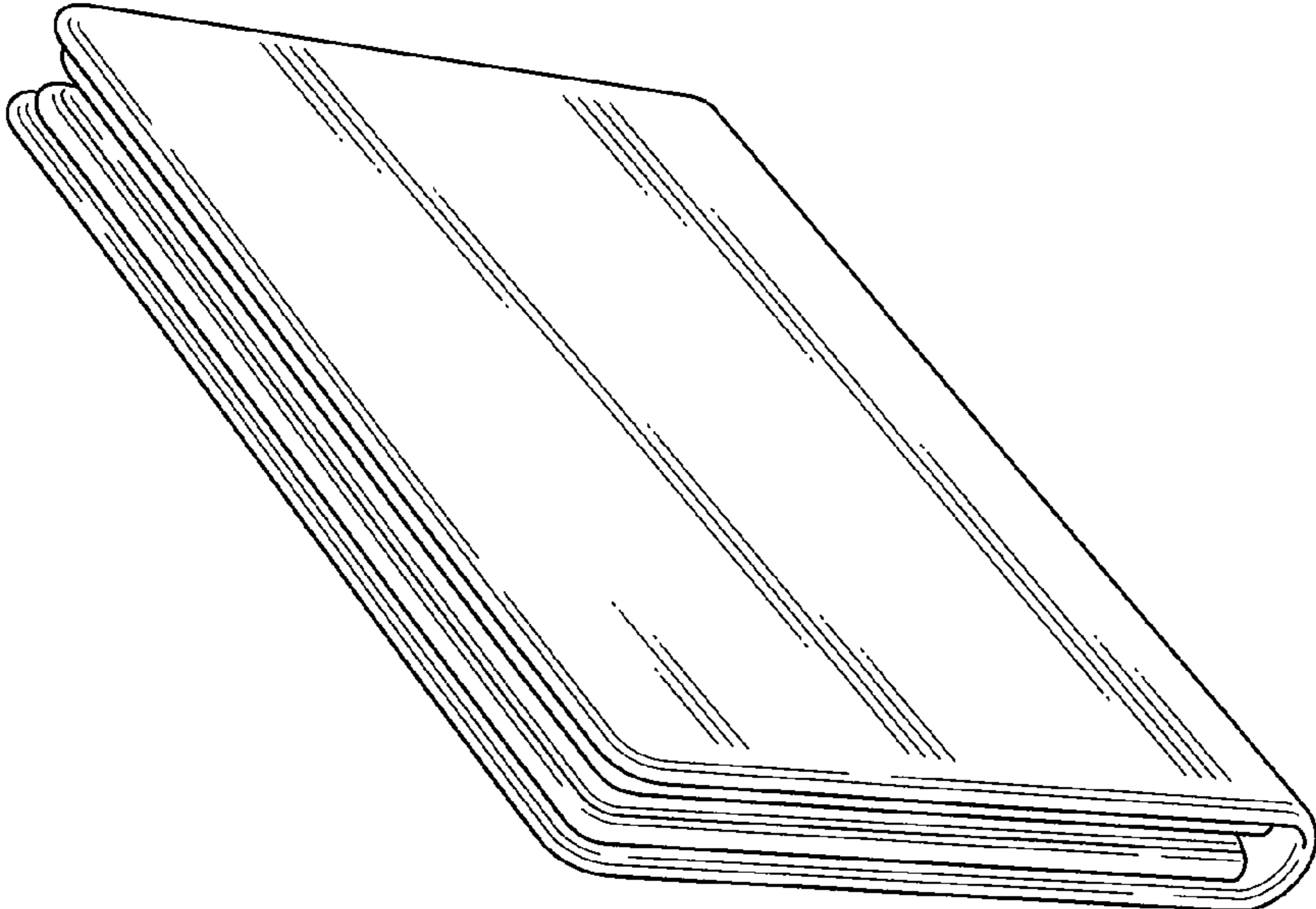


FIG.2

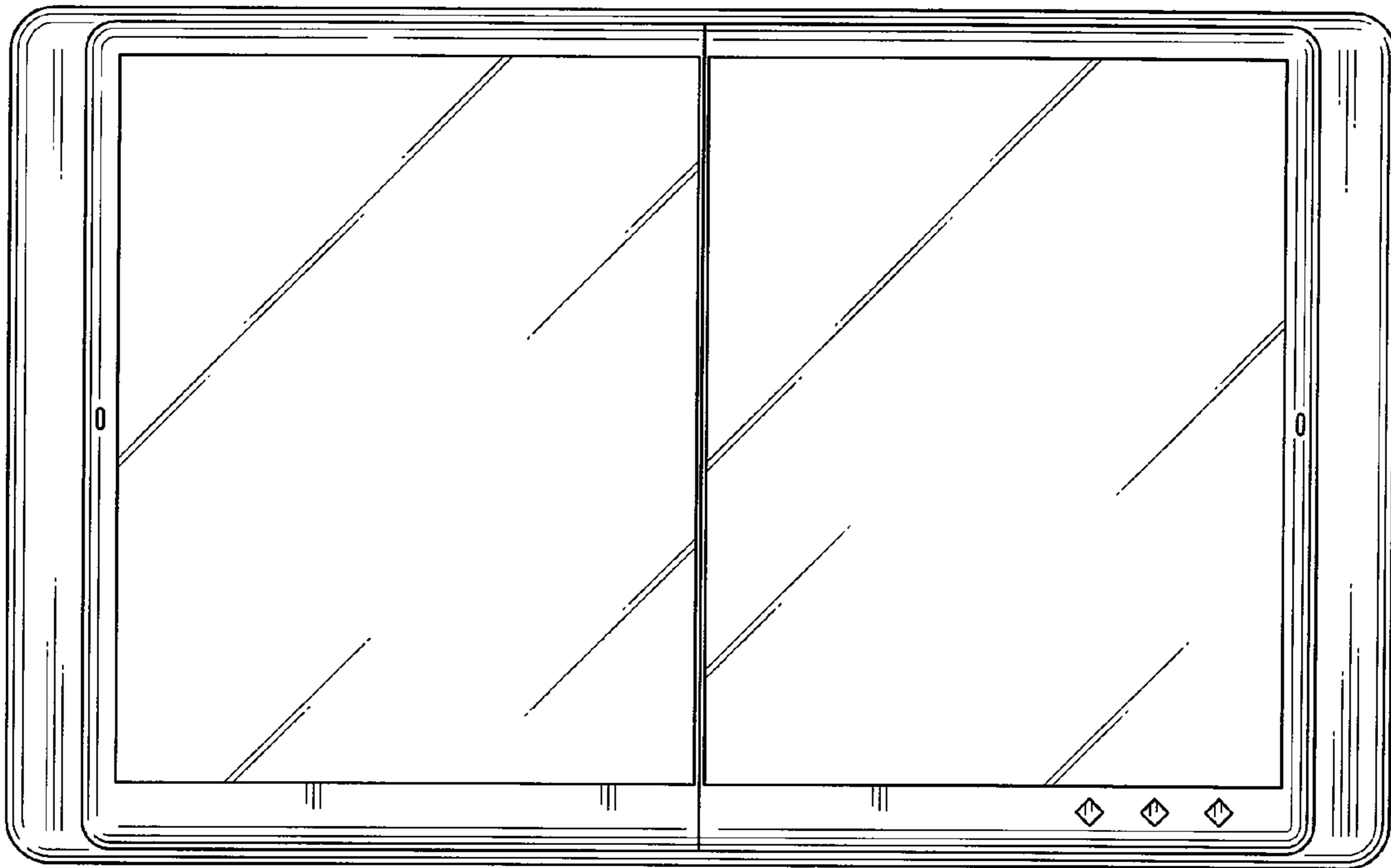


FIG.3

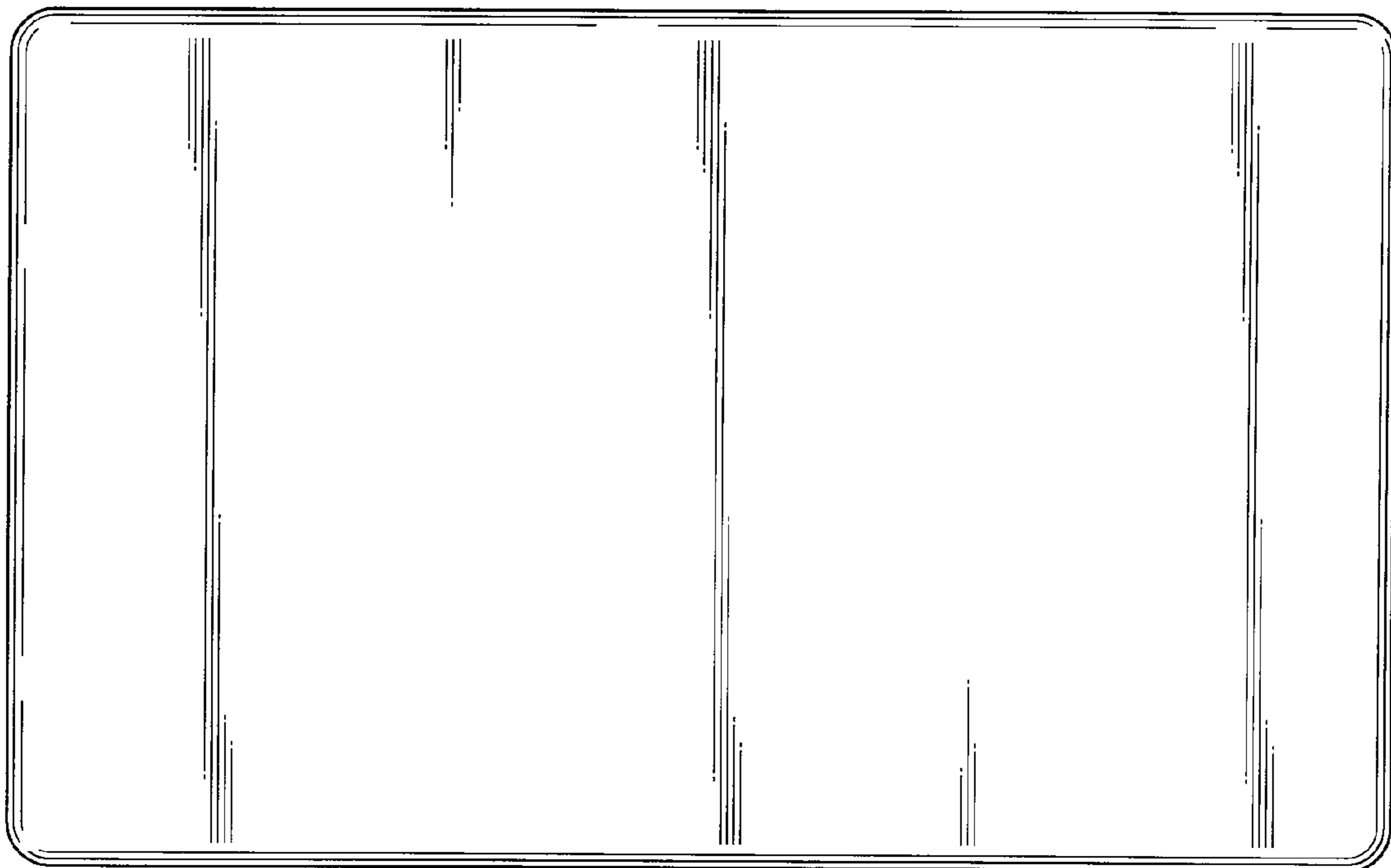


FIG.4

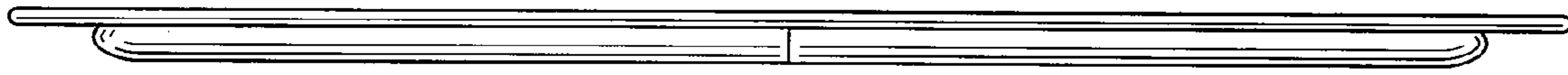


FIG. 5



FIG. 6



FIG. 7



FIG. 8

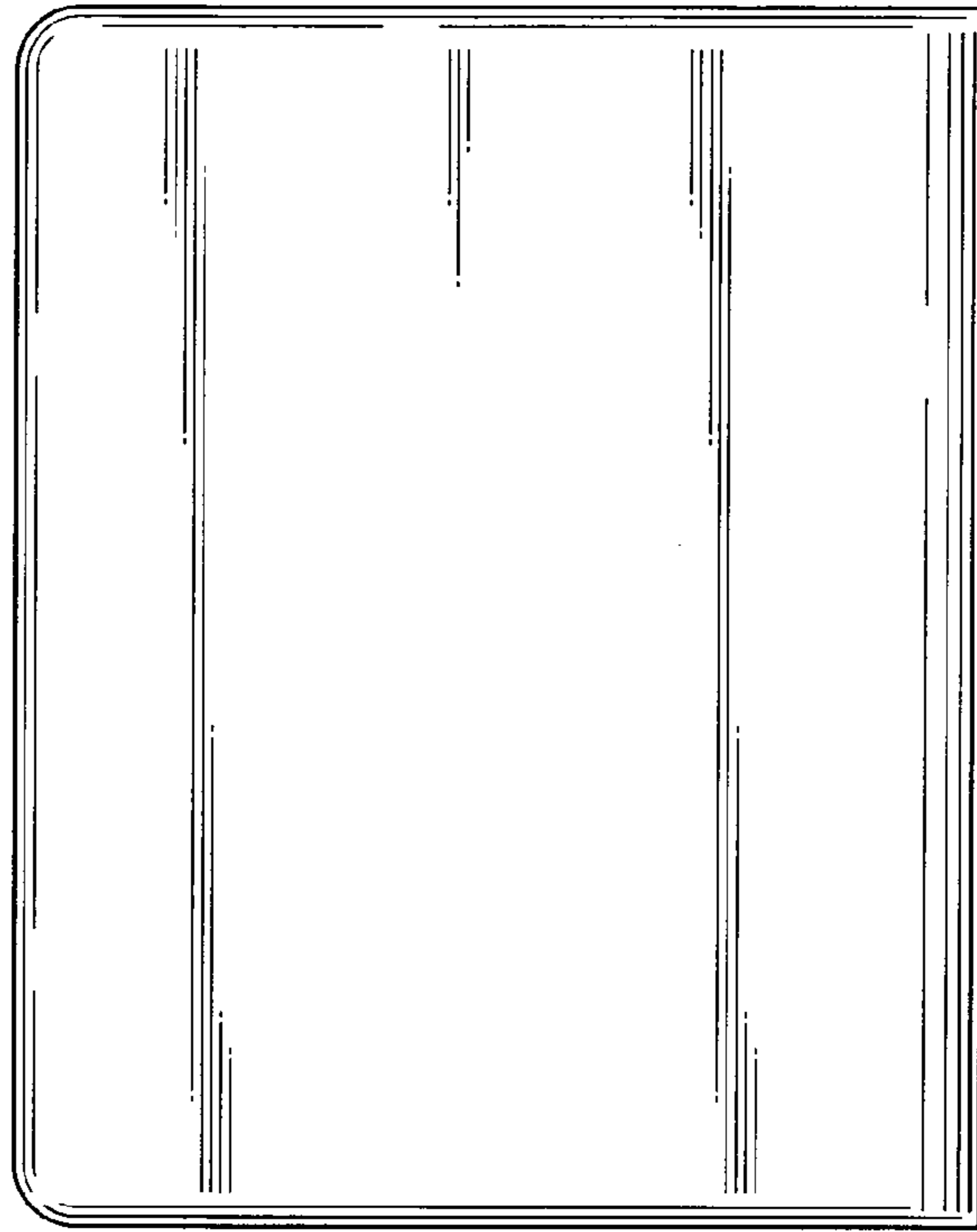


FIG. 9

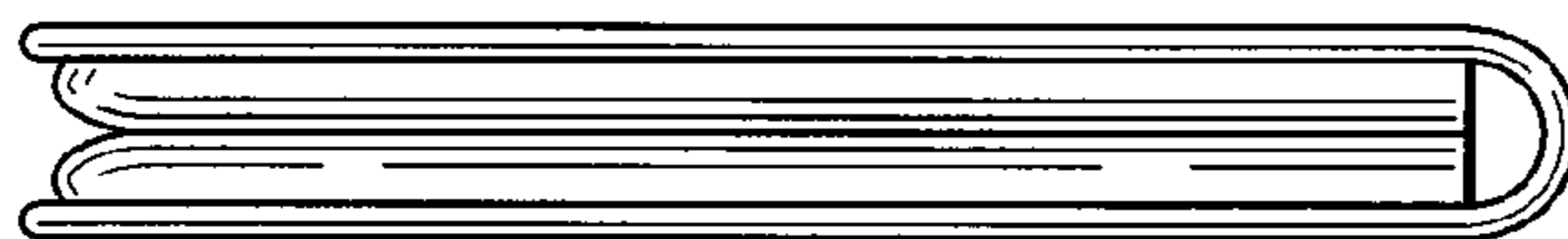


FIG. 10



FIG. 11