



US00D584725S

(12) **United States Design Patent**
Fiore, IV

(10) **Patent No.:** **US D584,725 S**
(45) **Date of Patent:** **** Jan. 13, 2009**

(54) **AUTO STEREO INSTALLATION DEVICE**

(75) Inventor: **Anthony Fiore, IV**, Palm Coast, FL
(US)

(73) Assignee: **Metra Electronics, Corp.**, Holly Hills,
FL (US)

(**) Term: **14 Years**

(21) Appl. No.: **29/310,162**

(22) Filed: **Jul. 30, 2008**

(51) **LOC (9) Cl.** **14-01**

(52) **U.S. Cl.** **D14/258**

(58) **Field of Classification Search** D14/258,
D14/257, 224, 217, 198, 197, 188, 17, 170,
D14/168, 167, 164, 162, 161, 160, 157, 156,
D14/136, 135, 415, 418, 400, 195; 720/691,
720/658, 270; 455/344, 575.1; 396/434,
396/93; 386/1; 369/75.1; 360/47, 4; 359/550,
359/258; 349/460, 159, 10

See application file for complete search history.

(56) **References Cited**

U.S. PATENT DOCUMENTS

D482,024 S *	11/2003	Quilling et al.	D14/224
D492,287 S *	6/2004	Quilling, II	D14/224
D501,852 S *	2/2005	Quilling, II	D14/258
D504,423 S *	4/2005	Quilling, II	D14/258
D505,672 S *	5/2005	Quilling	D14/224

D507,791 S *	7/2005	Quilling, II	D14/224
D508,486 S *	8/2005	Quilling, II	D14/224
D513,508 S *	1/2006	Quilling, II	D14/258
D517,061 S *	3/2006	Quilling, II	D14/258
D531,879 S *	11/2006	Quilling, II	D14/258
D545,815 S *	7/2007	Quilling, II	D14/258
D567,811 S *	4/2008	Quilling, II	D14/258

* cited by examiner

Primary Examiner—Robert M Spear

Assistant Examiner—Katrina A Kile

(74) *Attorney, Agent, or Firm*—J. Wiley Horton

(57) **CLAIM**

The ornamental design for an auto stereo installation device, as shown and described.

DESCRIPTION

FIG. 1 is a perspective view of an auto stereo installation device, showing my design;

FIG. 2 is a front elevation view of FIG. 1;

FIG. 3 is a rear elevation view of FIG. 1;

FIG. 4 is a right side elevation view of FIG. 1;

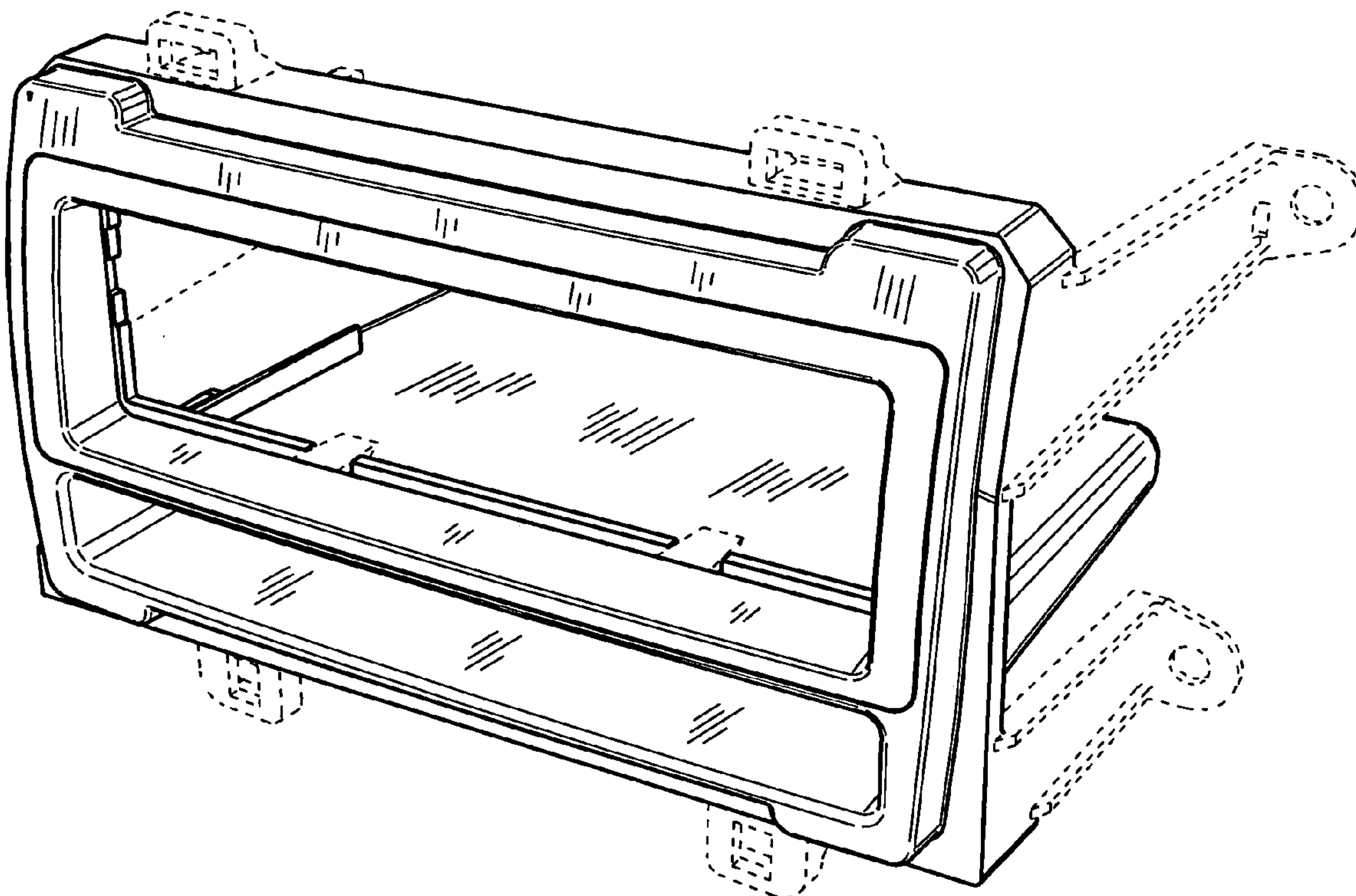
FIG. 5 is a left side elevation view of FIG. 1;

FIG. 6 is a top plan view of FIG. 1; and,

FIG. 7 is a bottom plan view of FIG. 1.

The broken lines shown in all views illustrate mounting features which form no part of the claimed design.

1 Claim, 7 Drawing Sheets



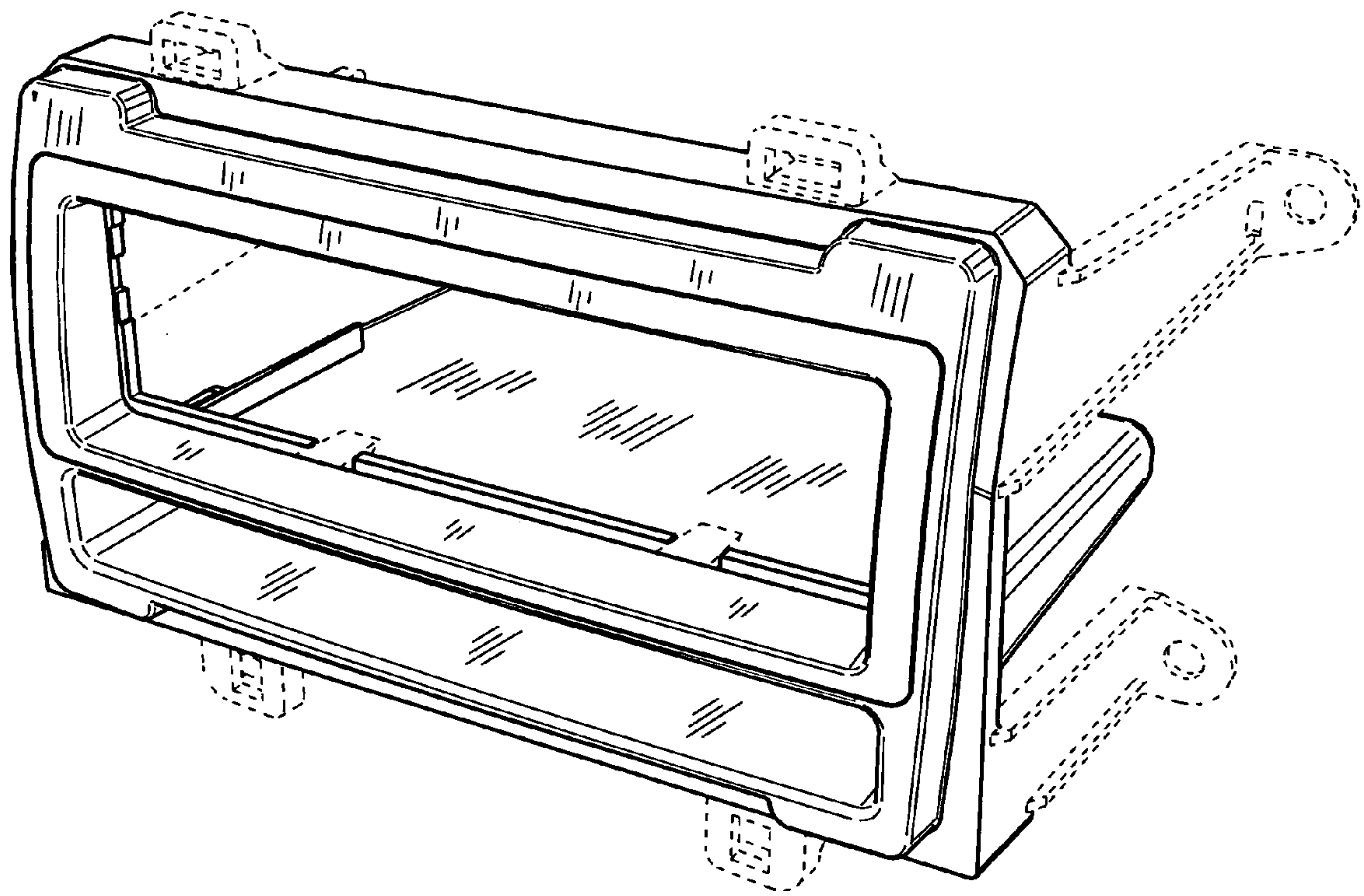


FIG. 1

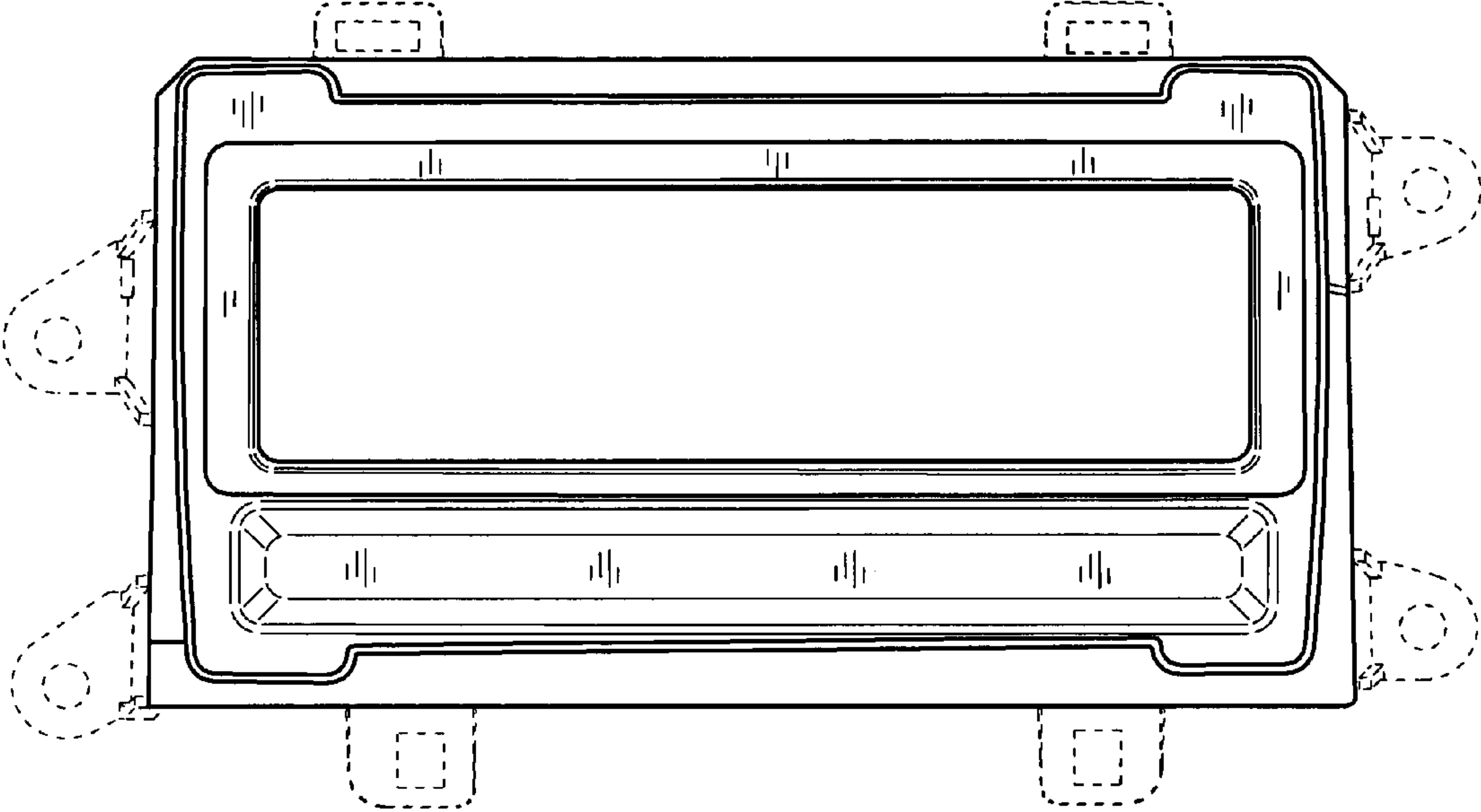


FIG. 2

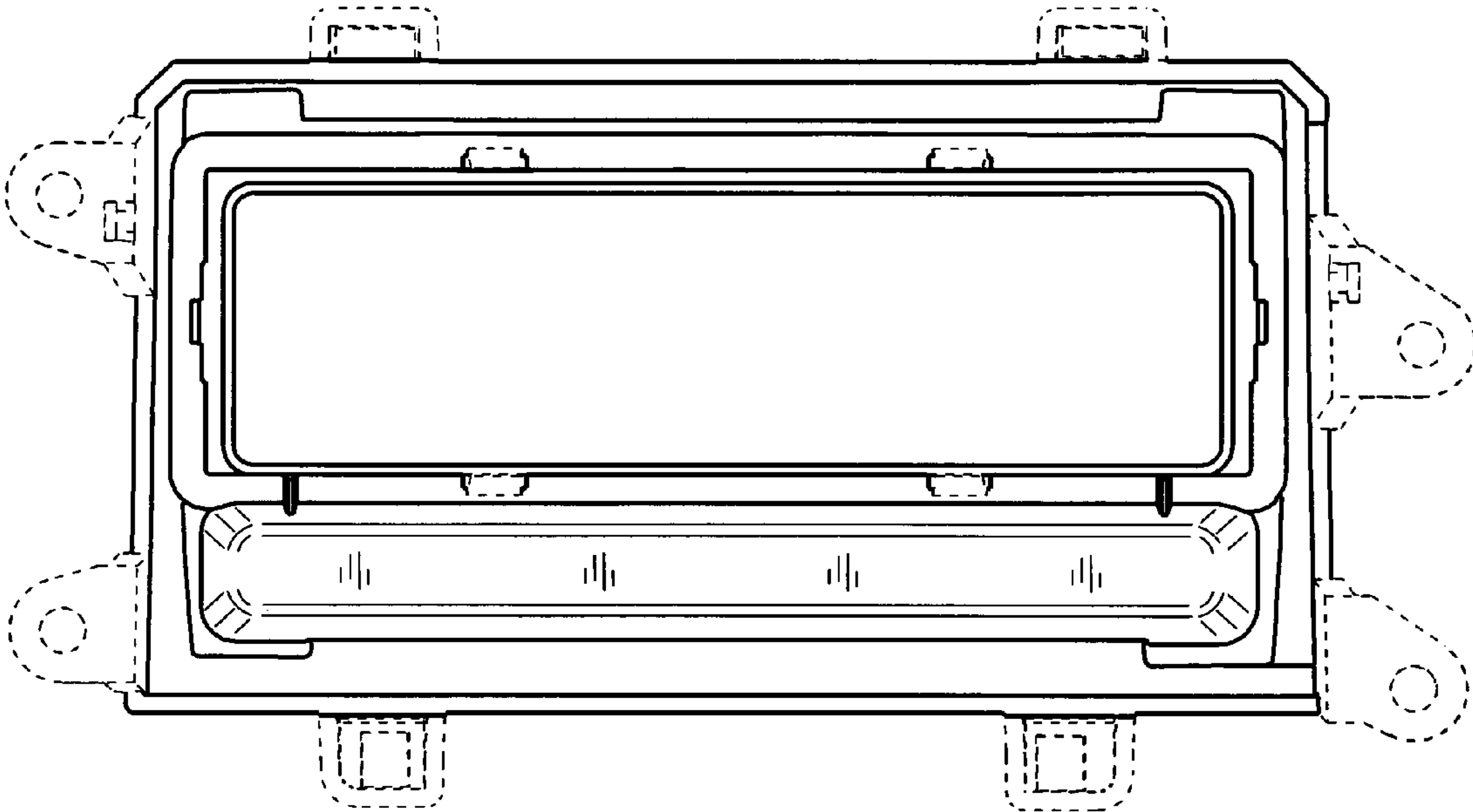


FIG. 3

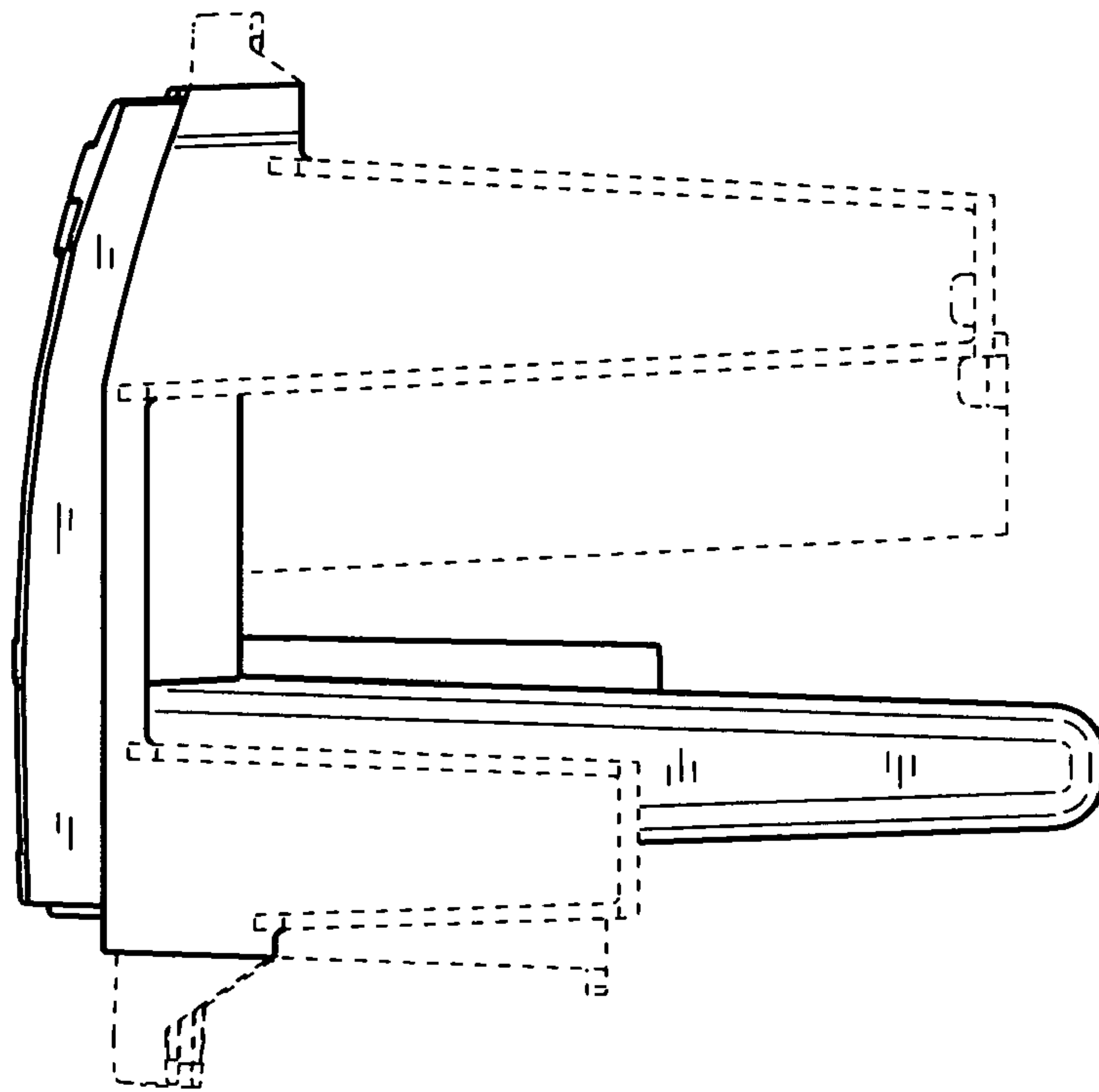


FIG. 4

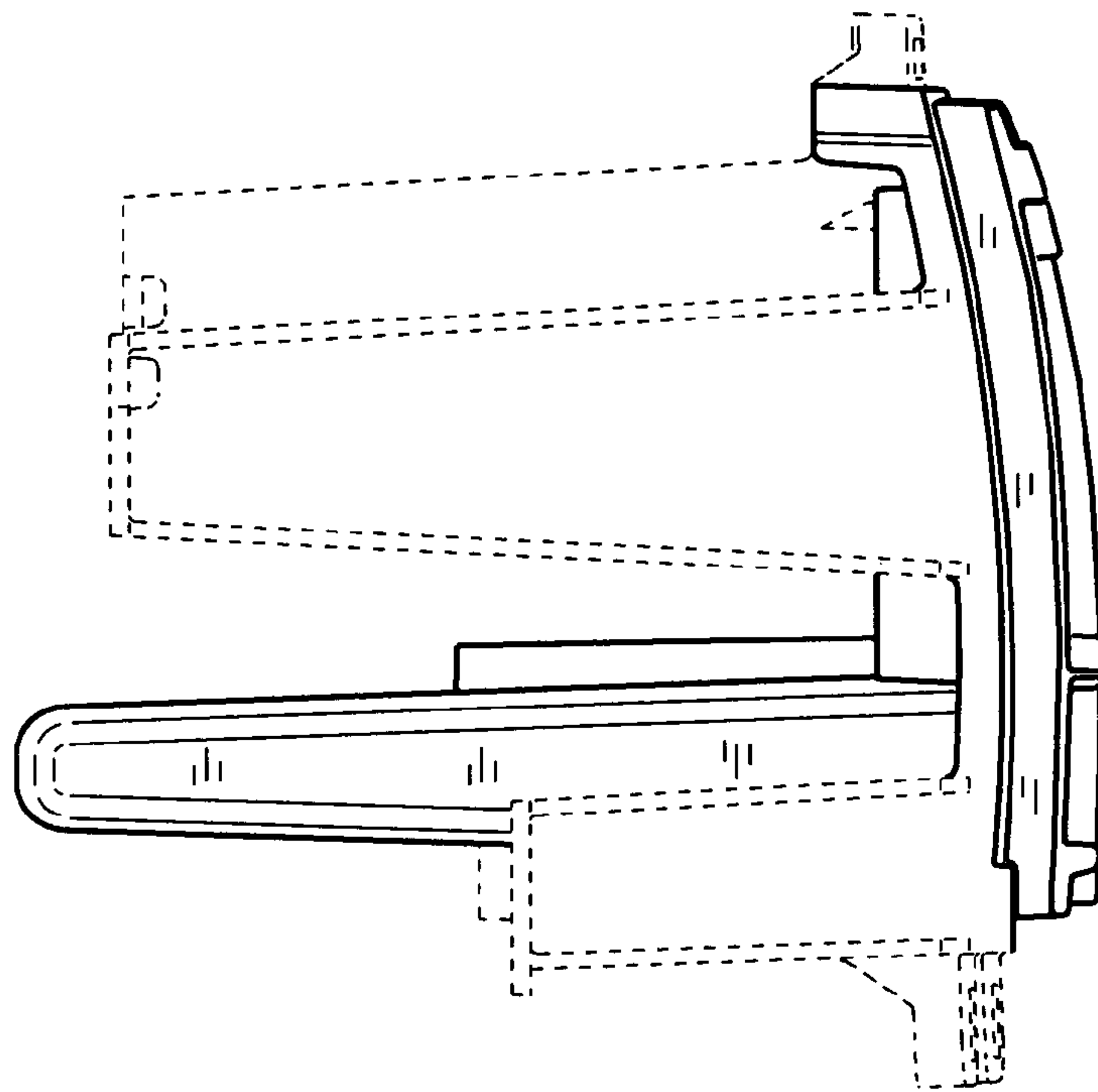


FIG. 5

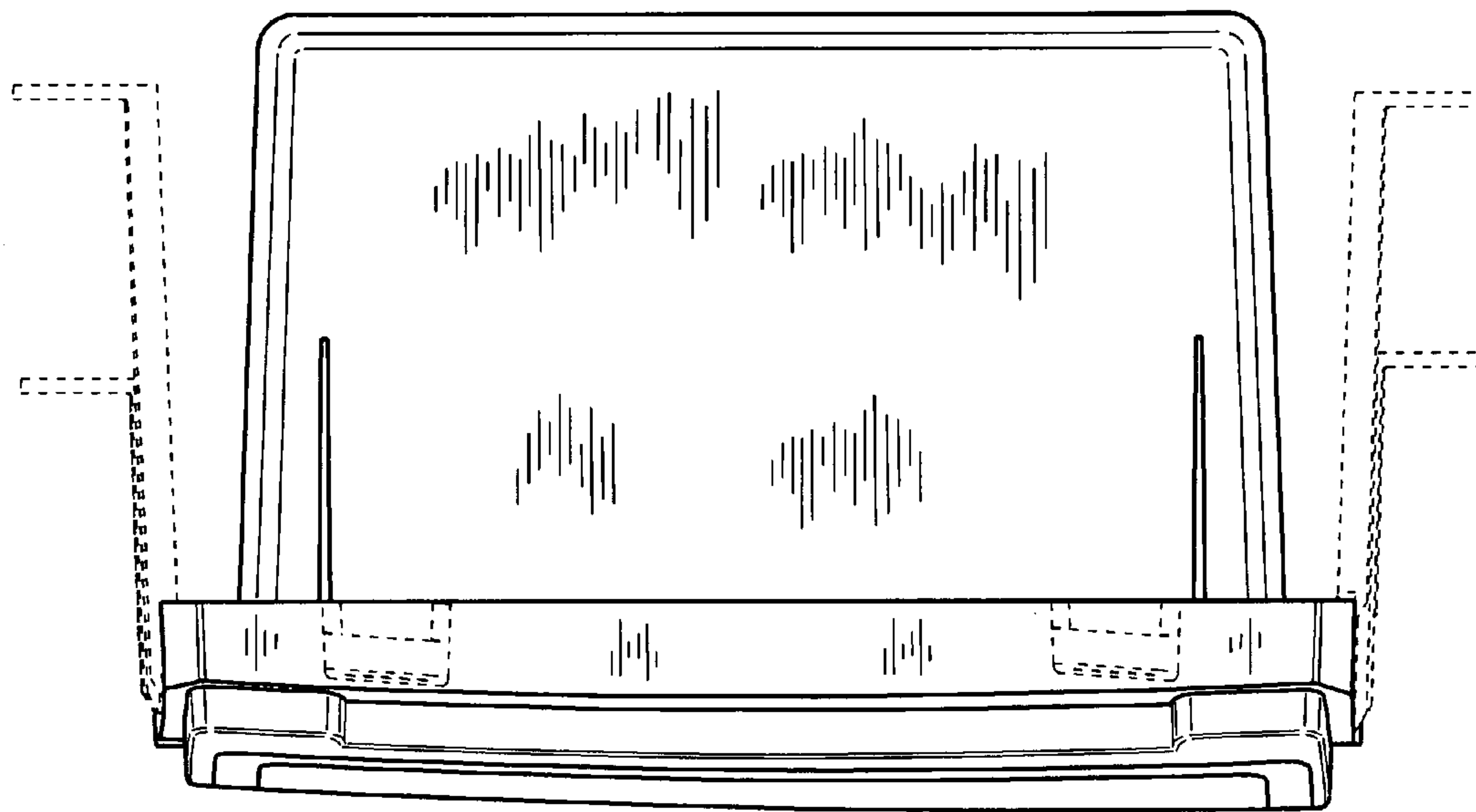


FIG. 6

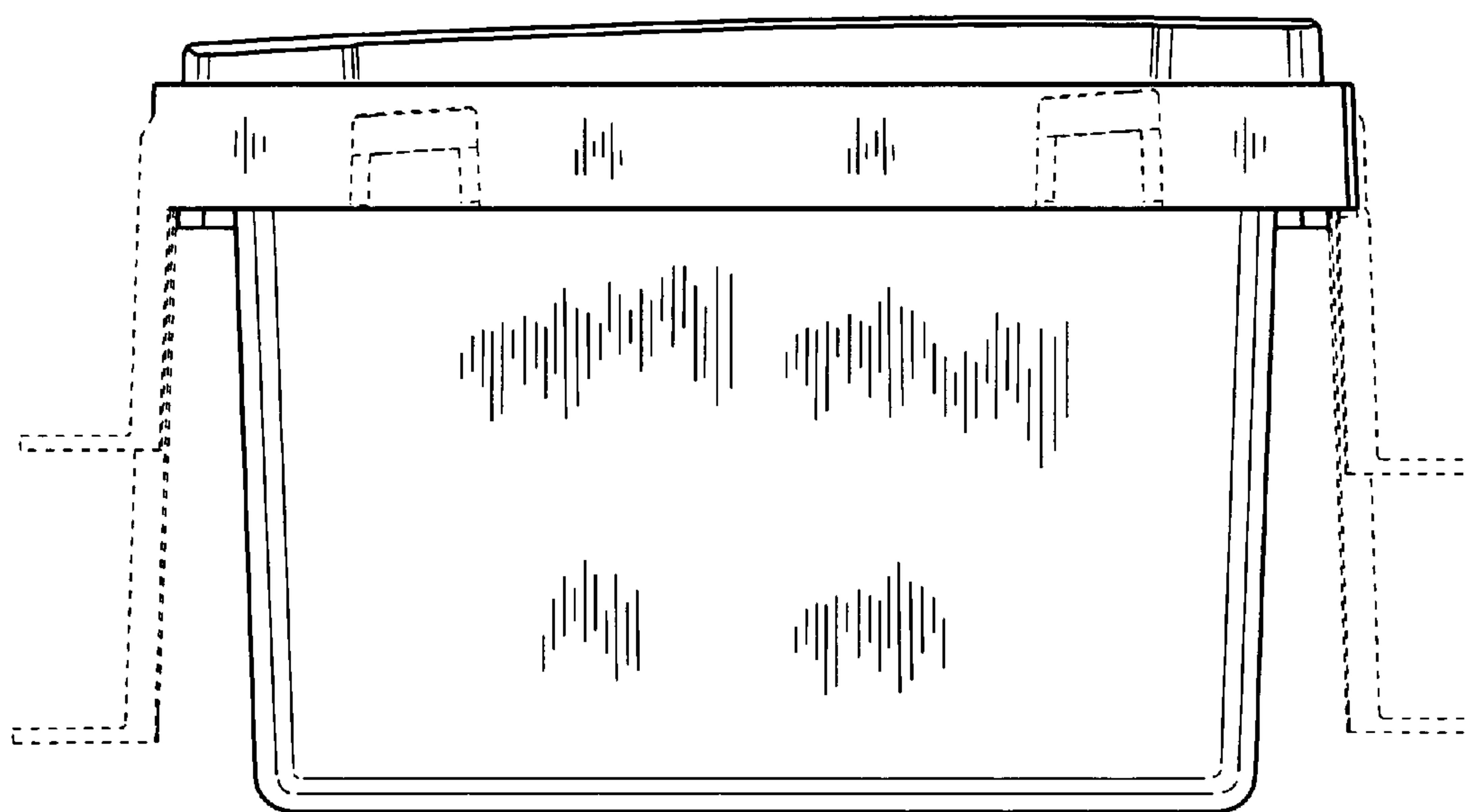


FIG. 7