



US00D584721S

(12) **United States Design Patent**
Okazaki et al.

(10) **Patent No.:** **US D584,721 S**
(45) **Date of Patent:** **** Jan. 13, 2009**

(54) **MICROPHONE**

D530,705 S * 10/2006 Shen D14/225

(75) Inventors: **Narutoshi Okazaki**, Nishinomiya (JP);
Shuichi Okamura, Kobe (JP)

FOREIGN PATENT DOCUMENTS

(73) Assignee: **TOA Corporation**, Kobe-Shi (JP)

JP	307708	6/1970
JP	315456	11/1970
JP	395592	4/1975
JP	423053	5/1976
JP	437070	12/1976
JP	439698	1/1977
JP	439699	1/1977
JP	423053-2	5/1977
JP	506492	7/1979
JP	506671	7/1979
JP	423065-1	1/1980
JP	564513	11/1981
JP	09-163483	6/1997

(**) Term: **14 Years**

(21) Appl. No.: **29/305,718**

(22) Filed: **Mar. 26, 2008**

(30) **Foreign Application Priority Data**

Sep. 28, 2007 (JP) 2007-026594

(51) **LOC (9) Cl.** **14-01**

(52) **U.S. Cl.** **D14/228**

(58) **Field of Classification Search** D14/225,
D14/226, 227, 228, 229; 181/149, 158, 242;
381/111, 357, 361; 455/95, 117, 344; D21/513
See application file for complete search history.

* cited by examiner

Primary Examiner—Paula Greene

(74) *Attorney, Agent, or Firm*—Workman Nydegger

(57) **CLAIM**

The ornamental design for a microphone, as shown and described.

(56) **References Cited**

U.S. PATENT DOCUMENTS

D173,367 S	*	11/1954	McVay	D14/228
D190,864 S	*	7/1961	Deschamps	D14/228
D200,051 S	*	1/1965	Wassman	D14/228
D220,108 S	*	3/1971	van de Poel	D14/228
3,718,862 A	*	2/1973	Norris	455/95
D246,781 S	*	12/1977	Krolopp	D14/225
D247,707 S	*	4/1978	Armstrong	D14/228
D260,882 S	*	9/1981	McCain	D14/225
D278,333 S	*	4/1985	Takata	D14/225
D278,625 S	*	4/1985	Mathiasen	D14/228
D296,100 S	*	6/1988	Kubota	D14/228
D296,435 S	*	6/1988	Kubota	D14/228
D302,819 S	*	8/1989	Kubota	D14/228
D407,407 S	*	3/1999	Okon et al.	D14/228
D479,837 S	*	9/2003	Sundquist et al.	D14/228
D498,232 S	*	11/2004	Ruhrig	D14/228

DESCRIPTION

FIG. 1 is a front perspective view of a microphone showing our new design;

FIG. 2 is a rear perspective view thereof;

FIG. 3 is a front view thereof, the rear view is a mirror image;

FIG. 4 is a top plan view thereof;

FIG. 5 is a bottom plan view thereof;

FIG. 6 is a right side view thereof; and,

FIG. 7 is a left side view thereof.

The rear view is omitted since it is symmetrical to the front view.

1 Claim, 4 Drawing Sheets

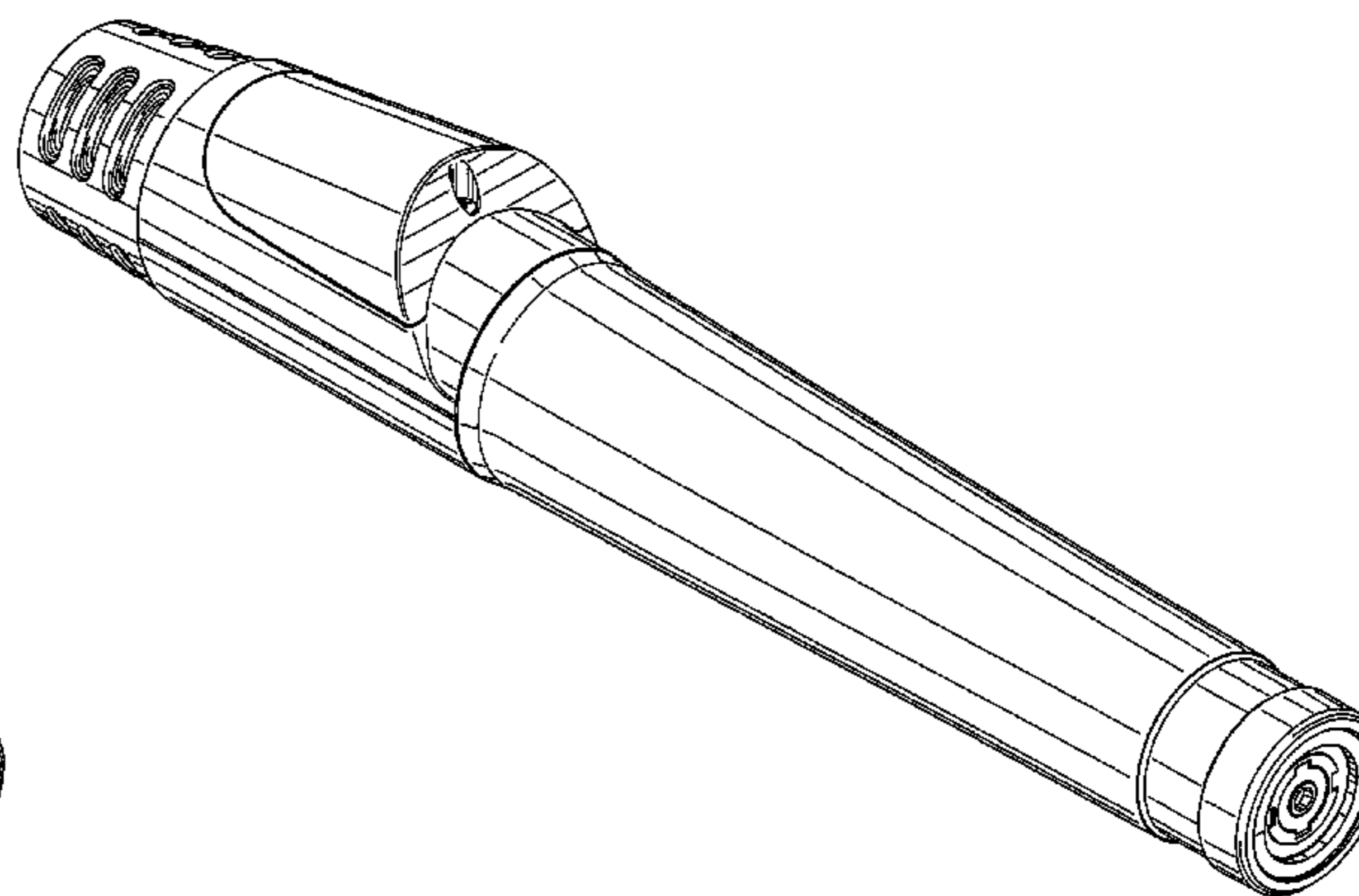
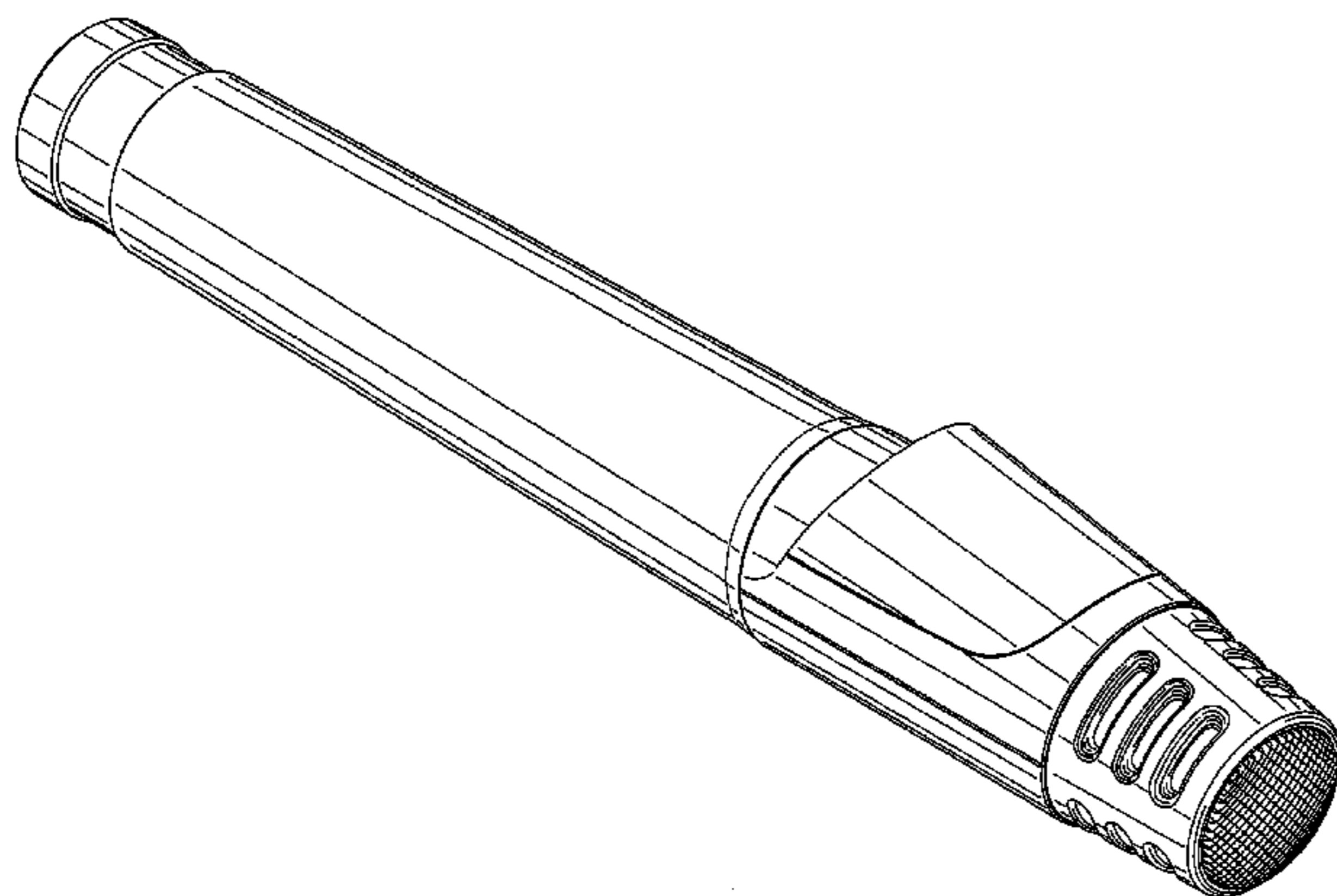


FIG. 1

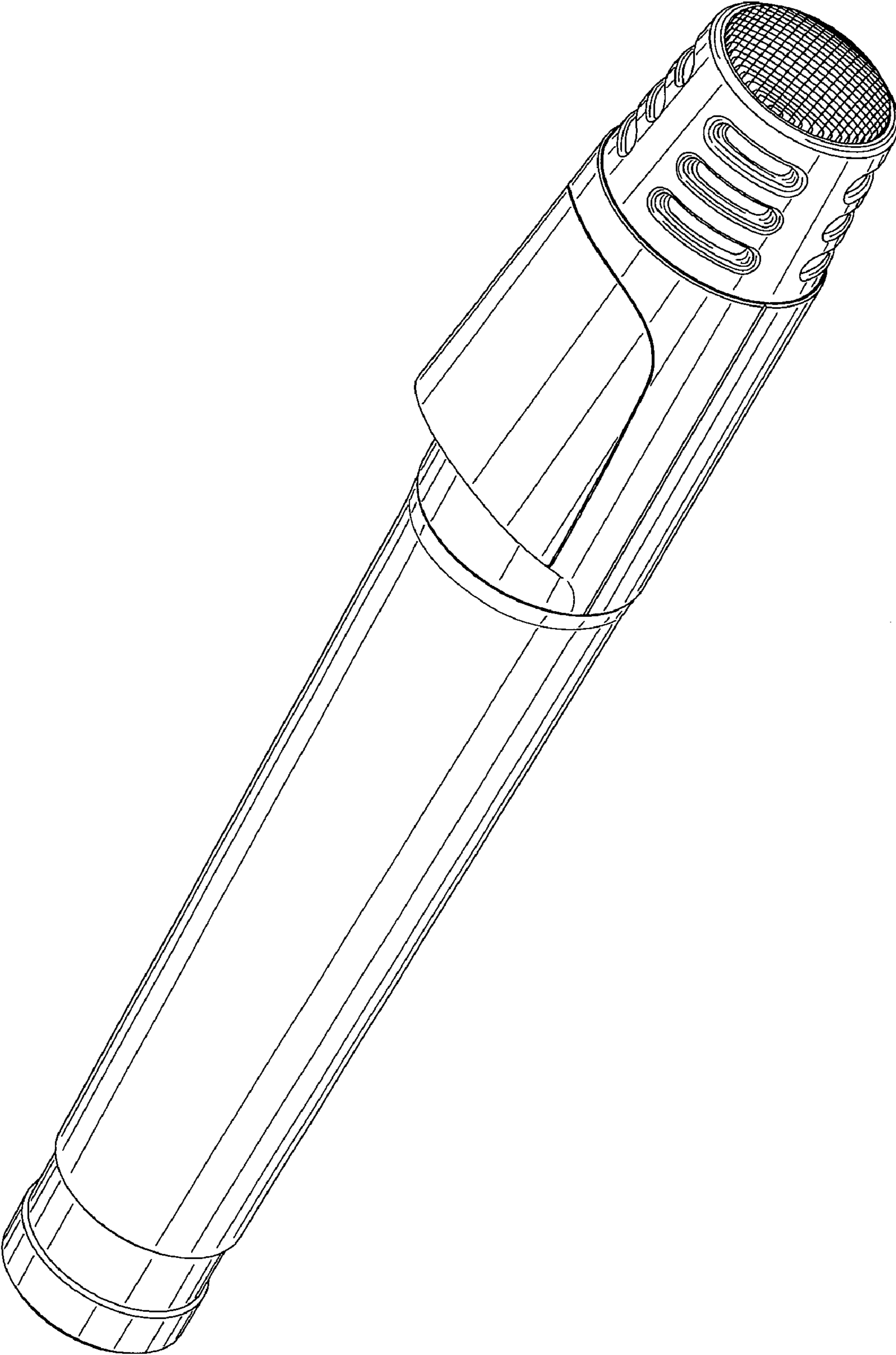


FIG. 2

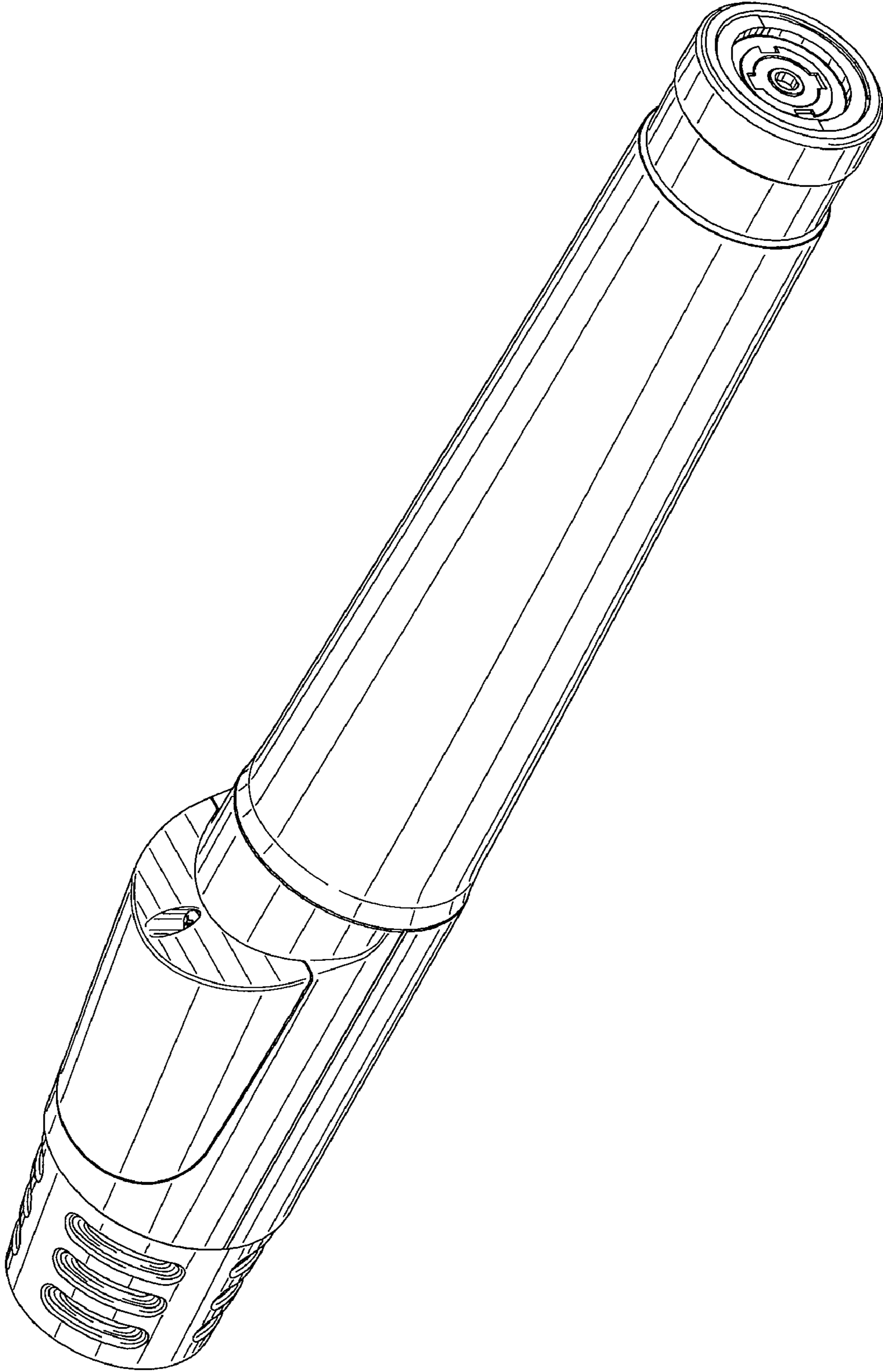


FIG. 3

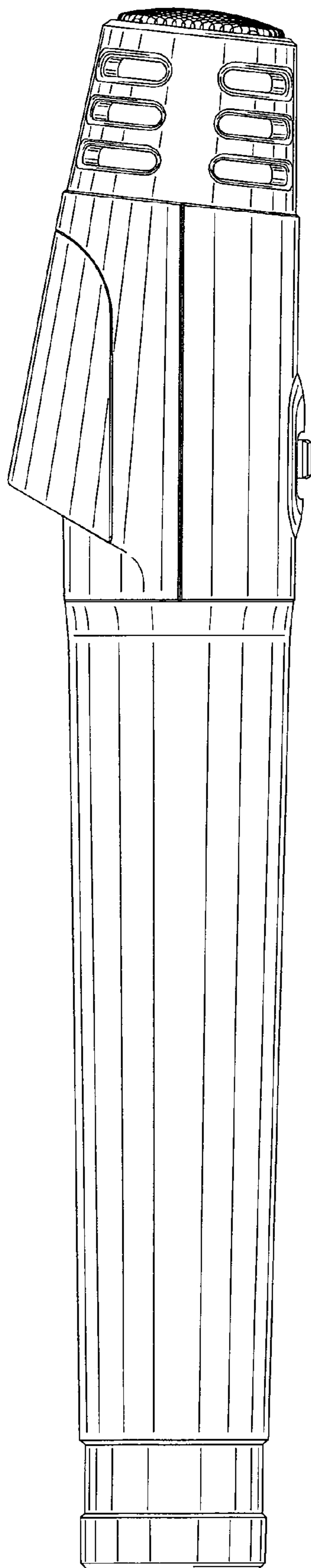


FIG. 4

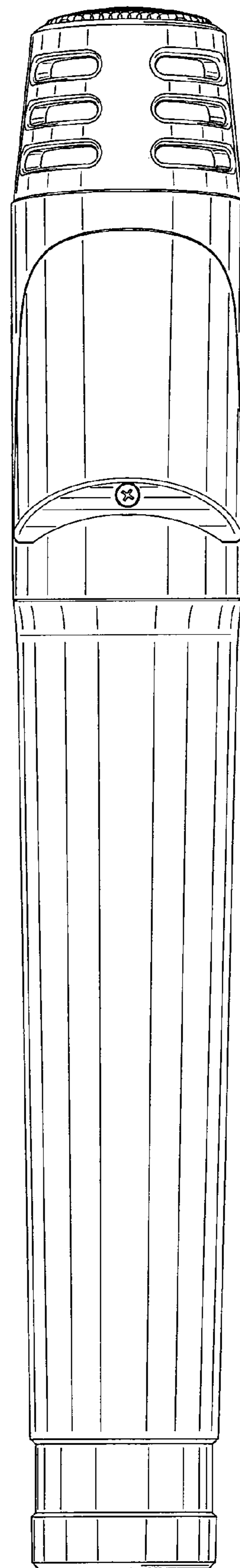


FIG. 5

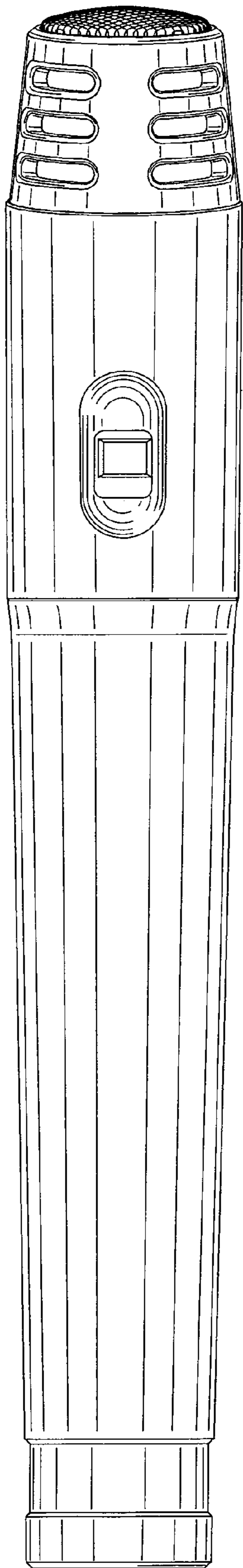


FIG. 7

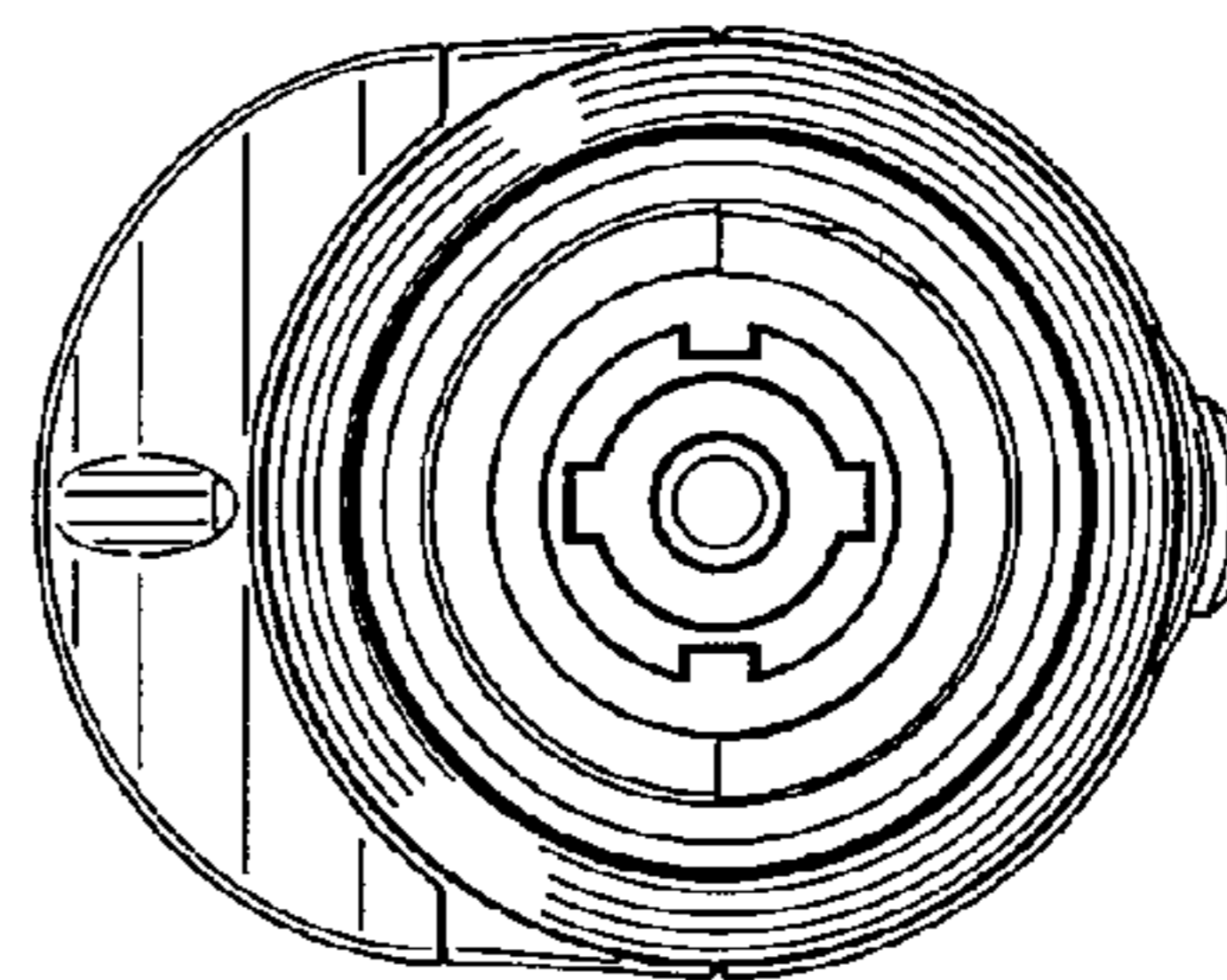


FIG. 6

