



US00D584720S

(12) **United States Design Patent**
Houy

(10) **Patent No.:** **US D584,720 S**
(45) **Date of Patent:** **** Jan. 13, 2009**

(54) **BLUETOOTH WIRELESS HEADSET**

(75) Inventor: **Xavier Houy**, Paris (FR)

(73) Assignee: **Mode Labs Technologies Ltd.**, Hong Kong (HK)

(**) Term: **14 Years**

(21) Appl. No.: **29/289,966**

(22) Filed: **Aug. 8, 2007**

(30) **Foreign Application Priority Data**

Feb. 16, 2007 (EM) 000671268

(51) **LOC (9) Cl.** **14-01**

(52) **U.S. Cl.** **D14/223**

(58) **Field of Classification Search** D14/205,
D14/206, 223, 192, 168, 249; 181/129–130,
181/135, 137; 379/430, 433, 368, 447; 455/575.2;
381/309, 322, 311, 380, 381, 384; D24/174
See application file for complete search history.

(56) **References Cited**

U.S. PATENT DOCUMENTS

D287,765 S * 1/1987 Topholm D24/174
D477,593 S * 7/2003 Komiyama D14/223
D477,822 S * 7/2003 Komiyama D14/223
D481,709 S * 11/2003 Solderits D14/228
D482,022 S * 11/2003 Nakano D14/223
D505,411 S * 5/2005 Sakai D14/192
D505,415 S * 5/2005 Han et al. D14/223
D508,479 S * 8/2005 Okada D14/206

D508,911 S * 8/2005 Sanders D14/223
D542,282 S * 5/2007 Yoshiyama D14/223
D543,972 S * 6/2007 Taylor D14/223
D559,837 S * 1/2008 Nakano D14/223
7,356,362 B2 * 4/2008 Chang et al. 455/575.2

* cited by examiner

Primary Examiner—Paula Greene

(74) *Attorney, Agent, or Firm*—Gerald E. Hespos; Anthony J. Casella

(57) **CLAIM**

The ornamental design for a bluetooth wireless headset, as shown and described.

DESCRIPTION

FIG. 1 is a perspective view of a headset in accordance with my design;

FIG. 2 is a front elevational view of the headset shown in FIG. 1;

FIG. 3 is a rear elevational view thereof;

FIG. 4 is a left side elevational view thereof;

FIG. 5 is a right side elevational view thereof;

FIG. 6 is a bottom plan view thereof;

FIG. 7 is a top plan view thereof; and,

FIG. 8 is an exploded rear elevational view.

The broken lines shown in FIG. 7 are not part of the claimed design.

1 Claim, 6 Drawing Sheets

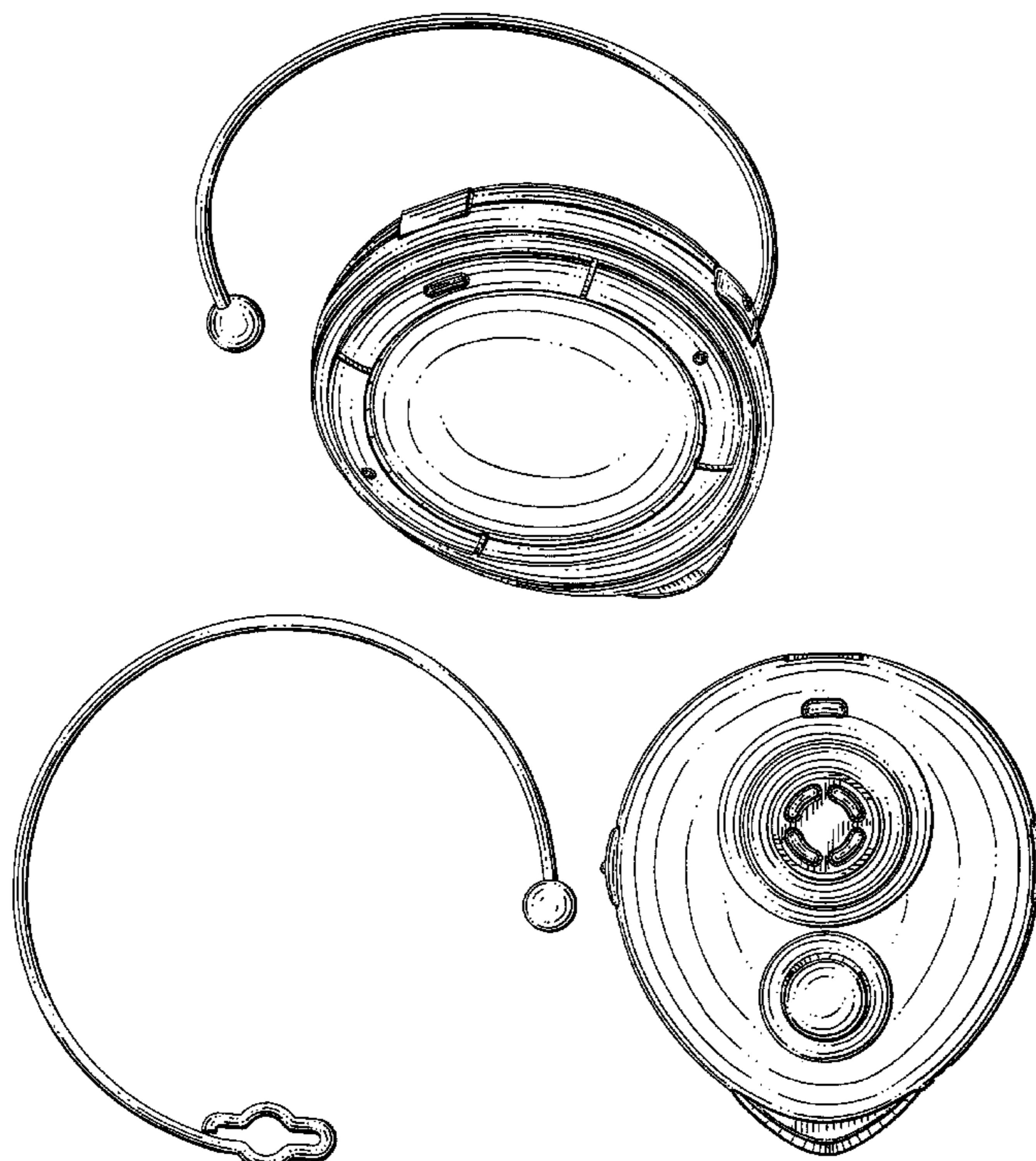
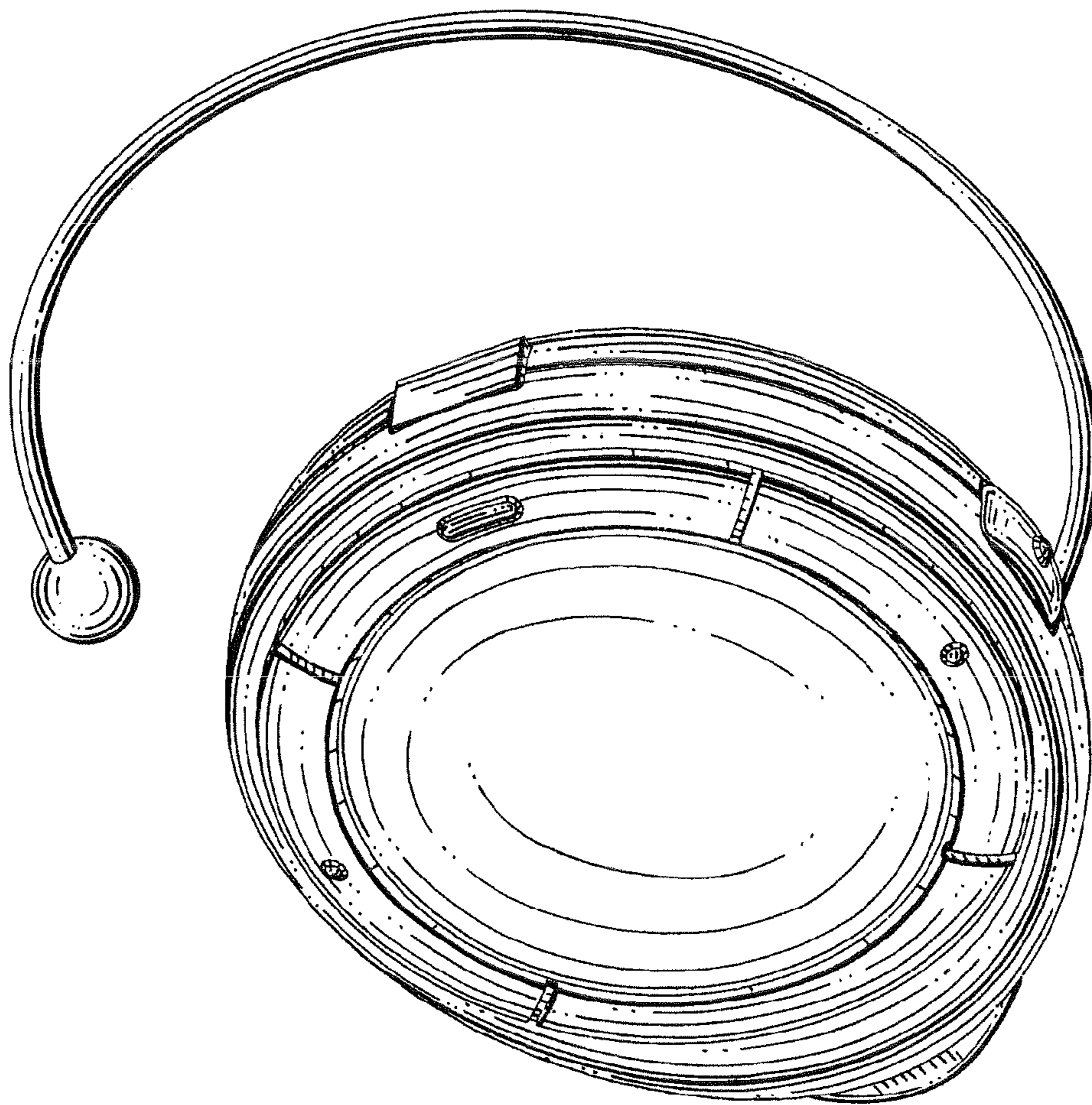


FIG. 1



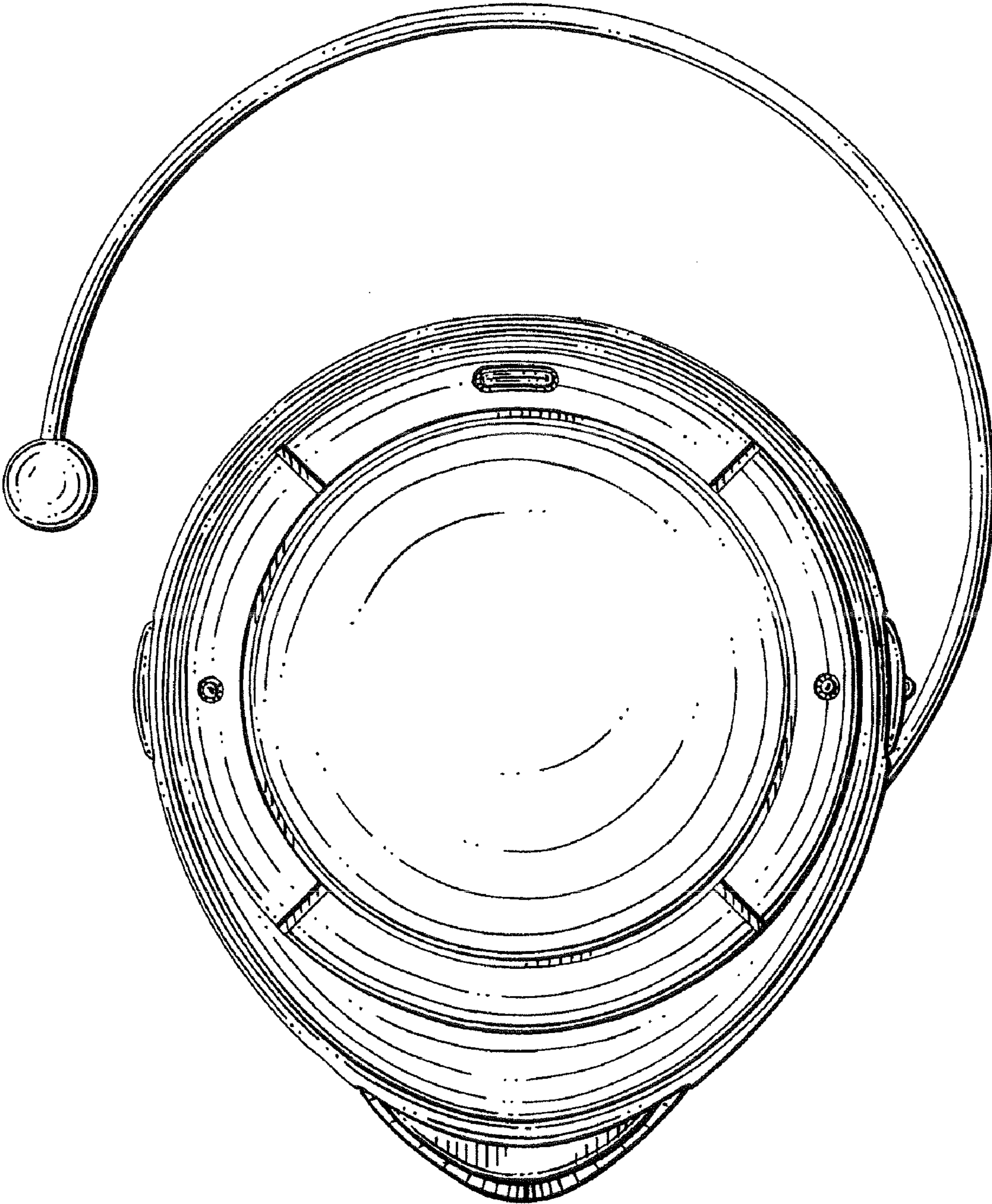


FIG. 2

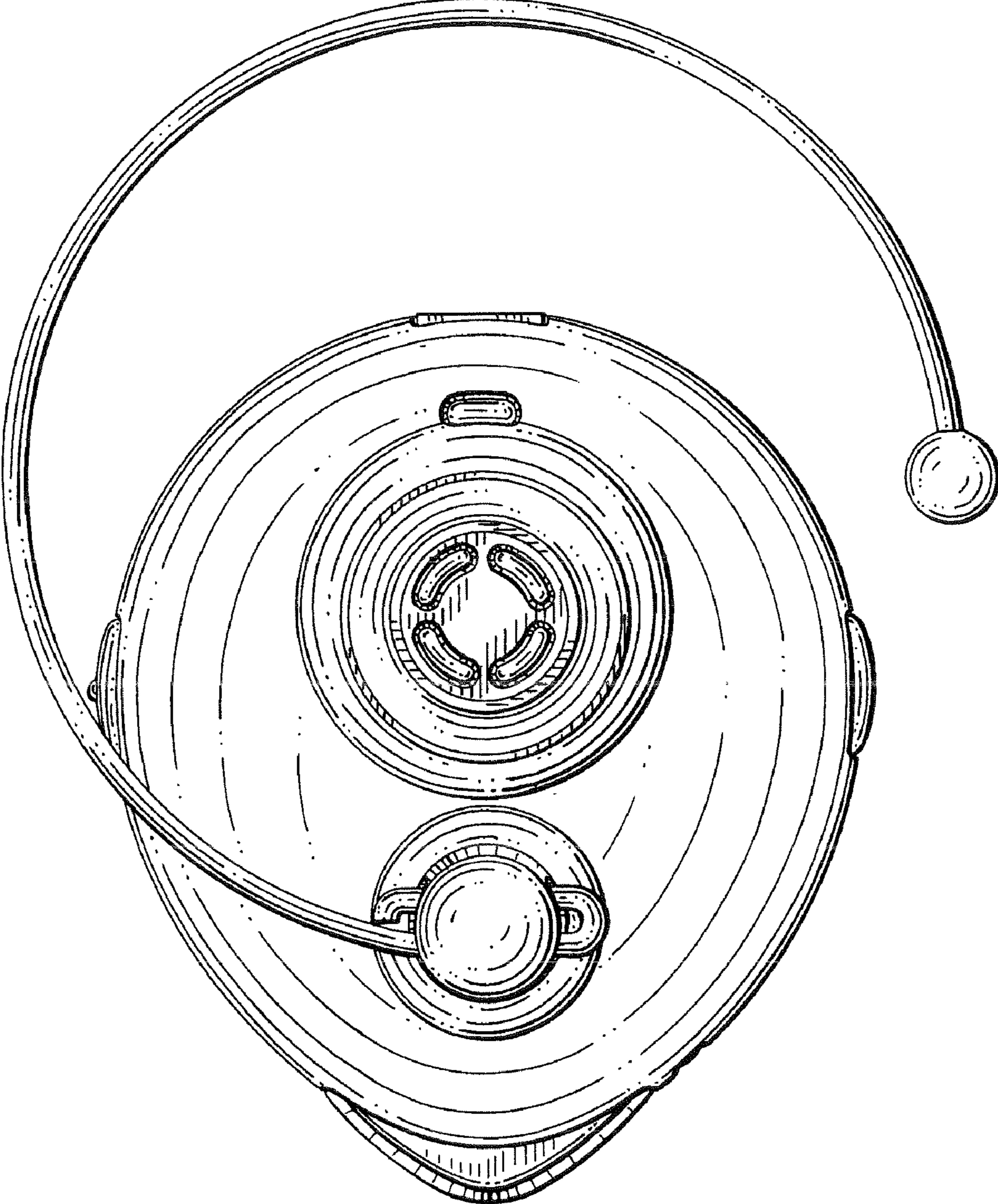


FIG.3

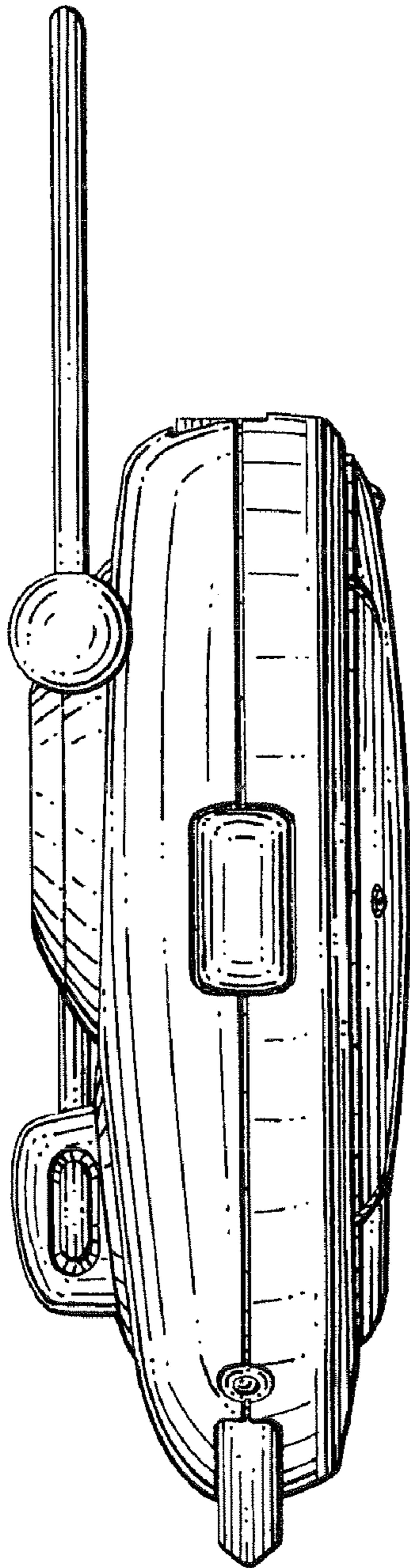


FIG. 4

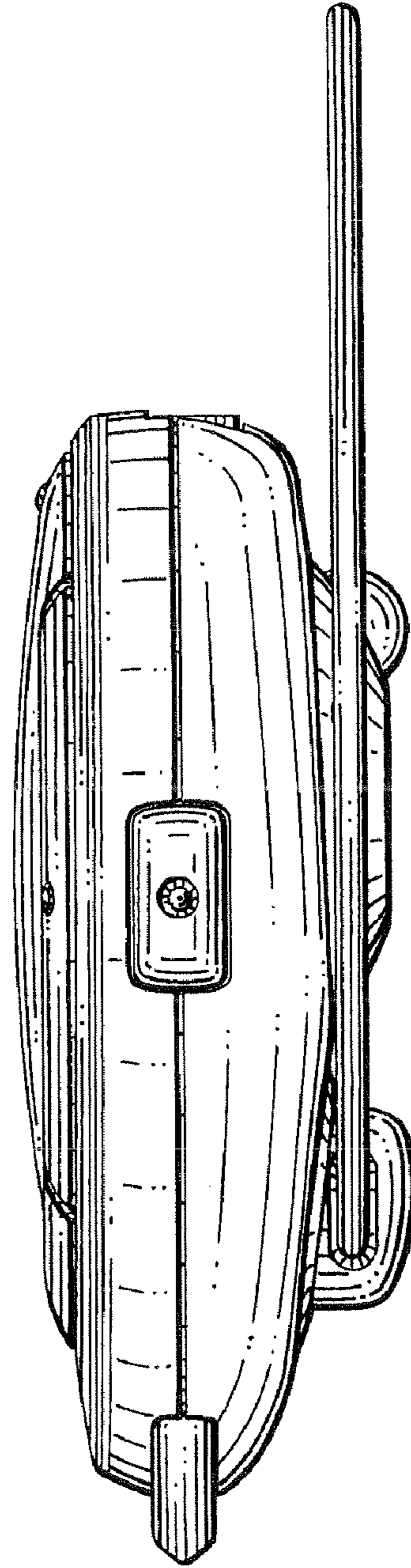


FIG. 5

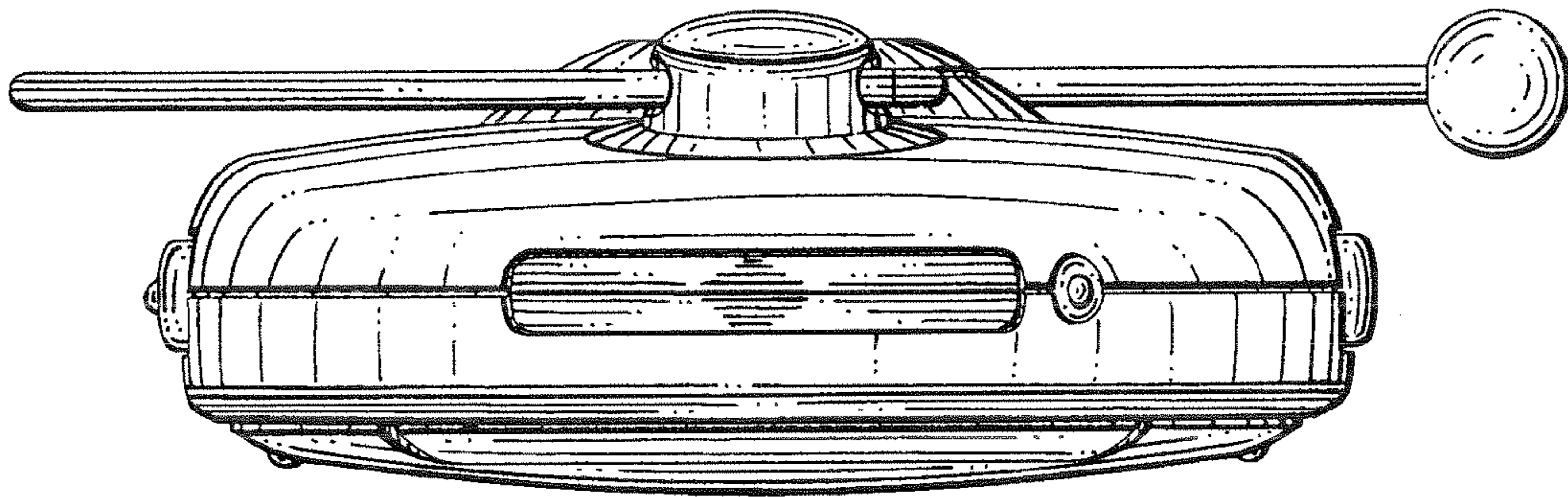


FIG. 6

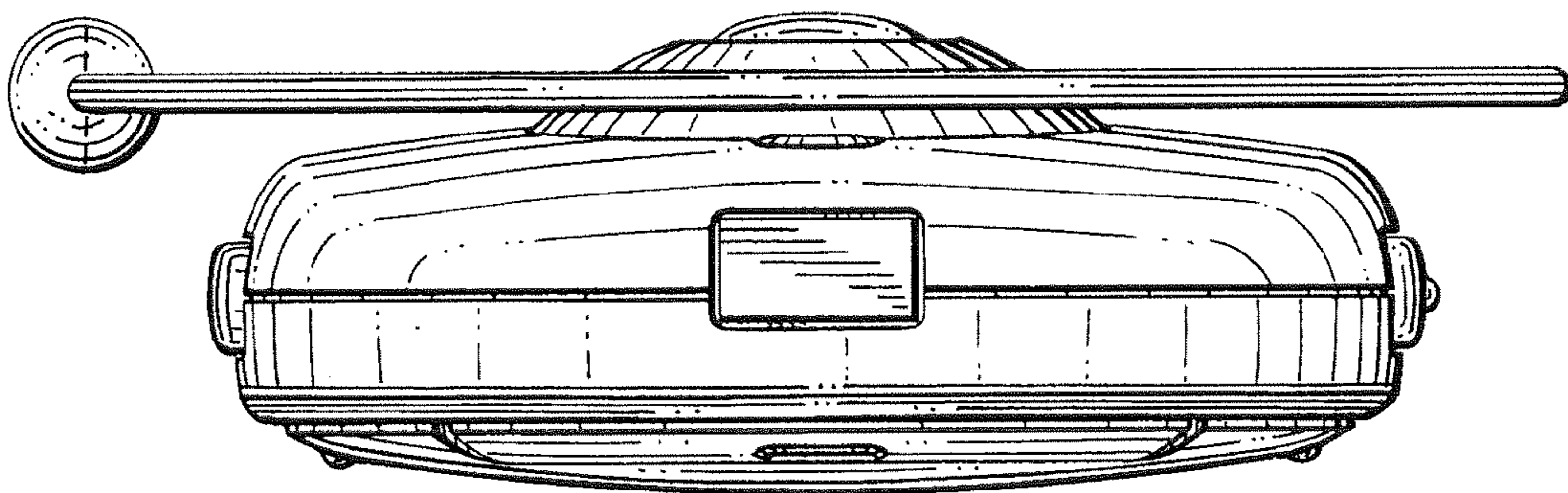


FIG. 7

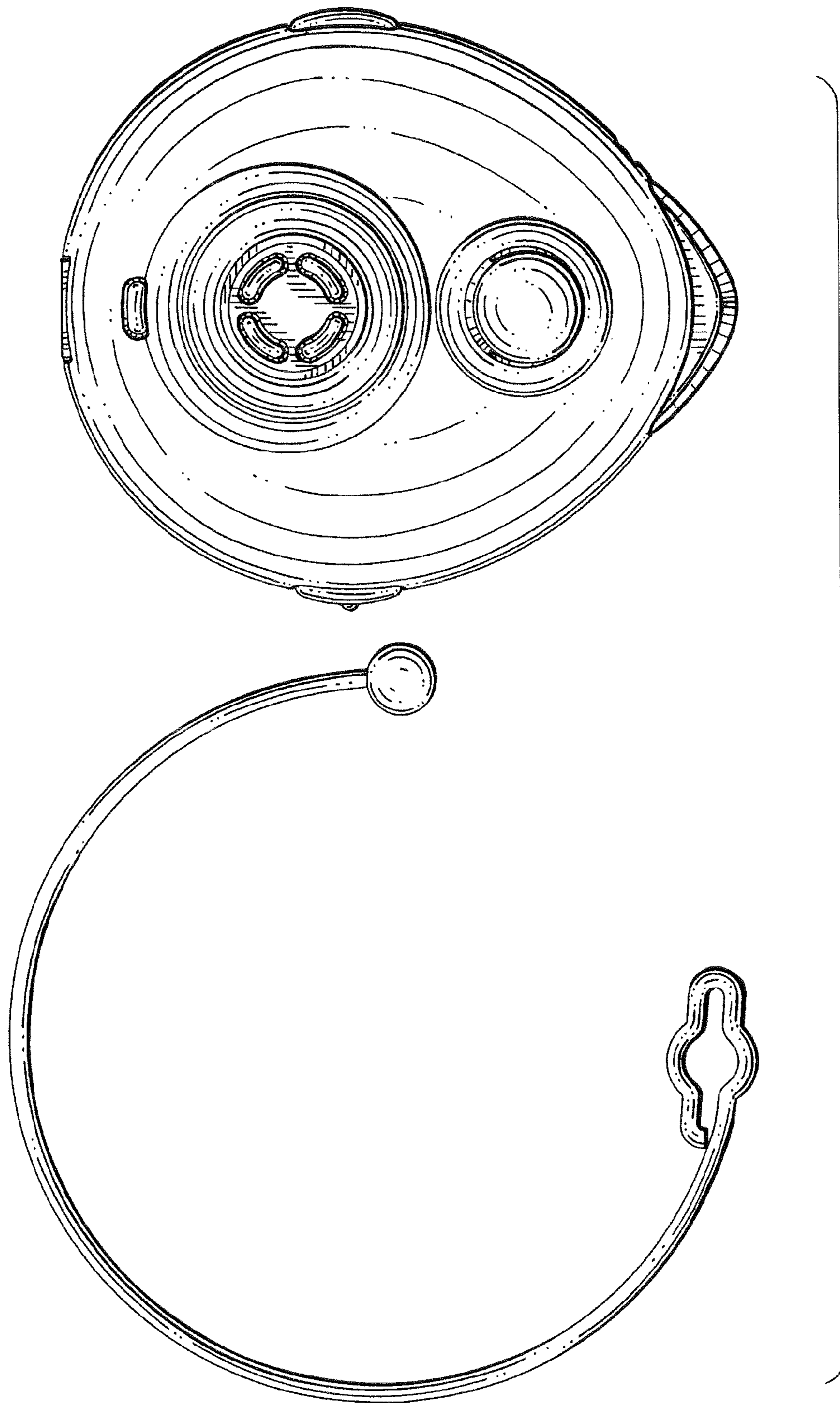


FIG. 8