



US00D584716S

(12) **United States Design Patent**
Ahlgren et al.

(10) **Patent No.:** **US D584,716 S**
(45) **Date of Patent:** **** Jan. 13, 2009**

(54) **MUSIC DESK STAND**

DESCRIPTION

(75) Inventors: **Erik Ahlgren**, Malmö (SE); **Simon Chung**, Singapore (SG)

(73) Assignee: **Sony Ericsson Mobile Communications AB**, Lund (SE)

(**) Term: **14 Years**

(21) Appl. No.: **29/297,286**

(22) Filed: **Nov. 8, 2007**

(30) **Foreign Application Priority Data**

May 18, 2007	(EM)	0724752-0003
May 18, 2007	(EM)	0724752-0004
May 18, 2007	(EM)	0724752-0005
May 18, 2007	(EM)	0724752-0006

(51) **LOC (9) Cl.** **14-01**

(52) **U.S. Cl.** **D14/214**

(58) **Field of Classification Search** D14/204,
D14/210–216, 168, 172, 132, 193; 181/143–144,
181/147–148, 150–153, 157, 198–199; 381/300–303,
381/306, 332–333, 336, 345, 361–364, 386–388;
455/345

See application file for complete search history.

(56) **References Cited**

U.S. PATENT DOCUMENTS

D532,773 S *	11/2006	Langberg et al.	D14/168
D551,654 S *	9/2007	Fong	D14/214
D552,080 S *	10/2007	Langberg et al.	D14/214
D553,611 S *	10/2007	Gan	D14/214
D554,104 S *	10/2007	Kurihara	D14/214

* cited by examiner

Primary Examiner—Nanda Bondade

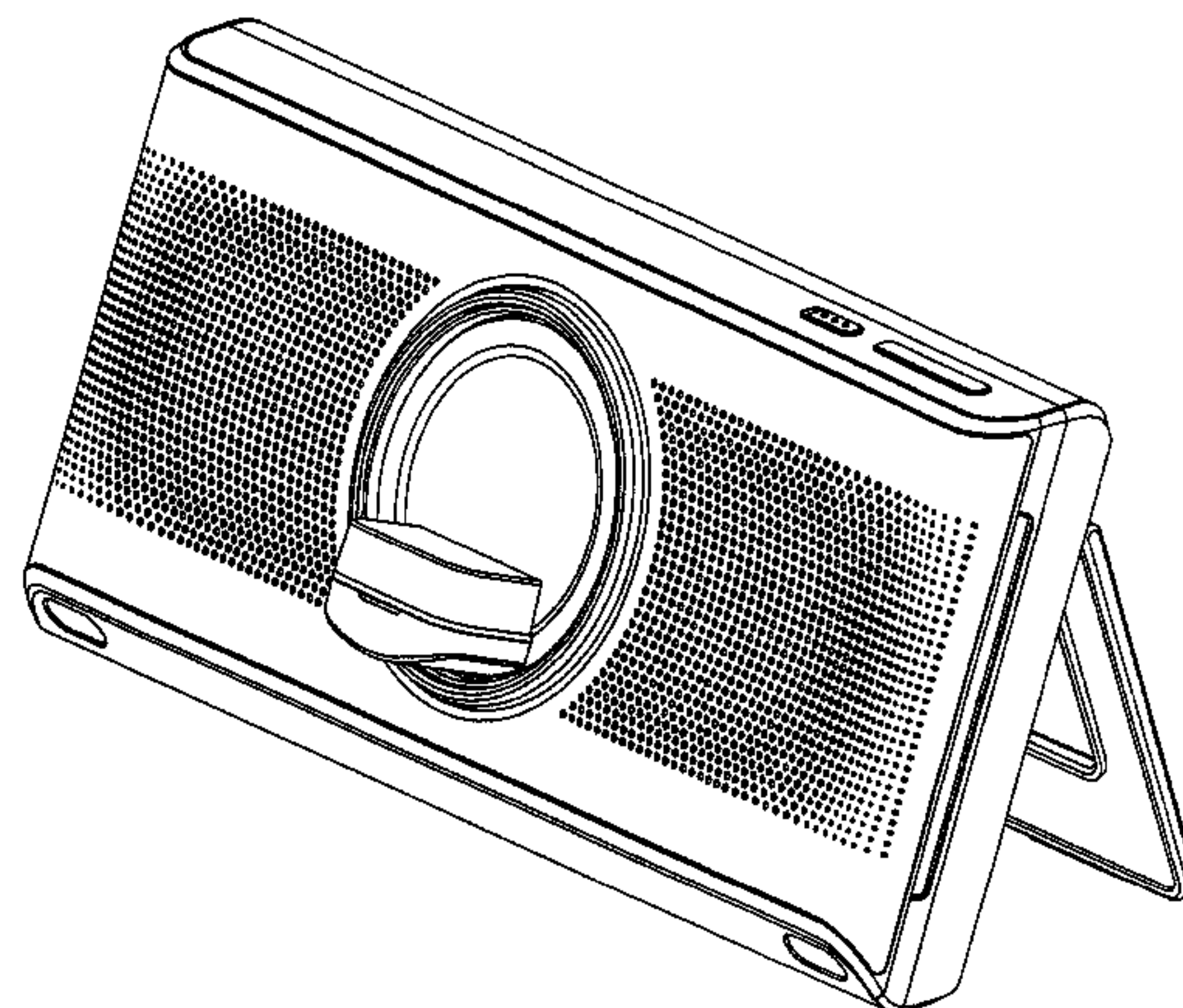
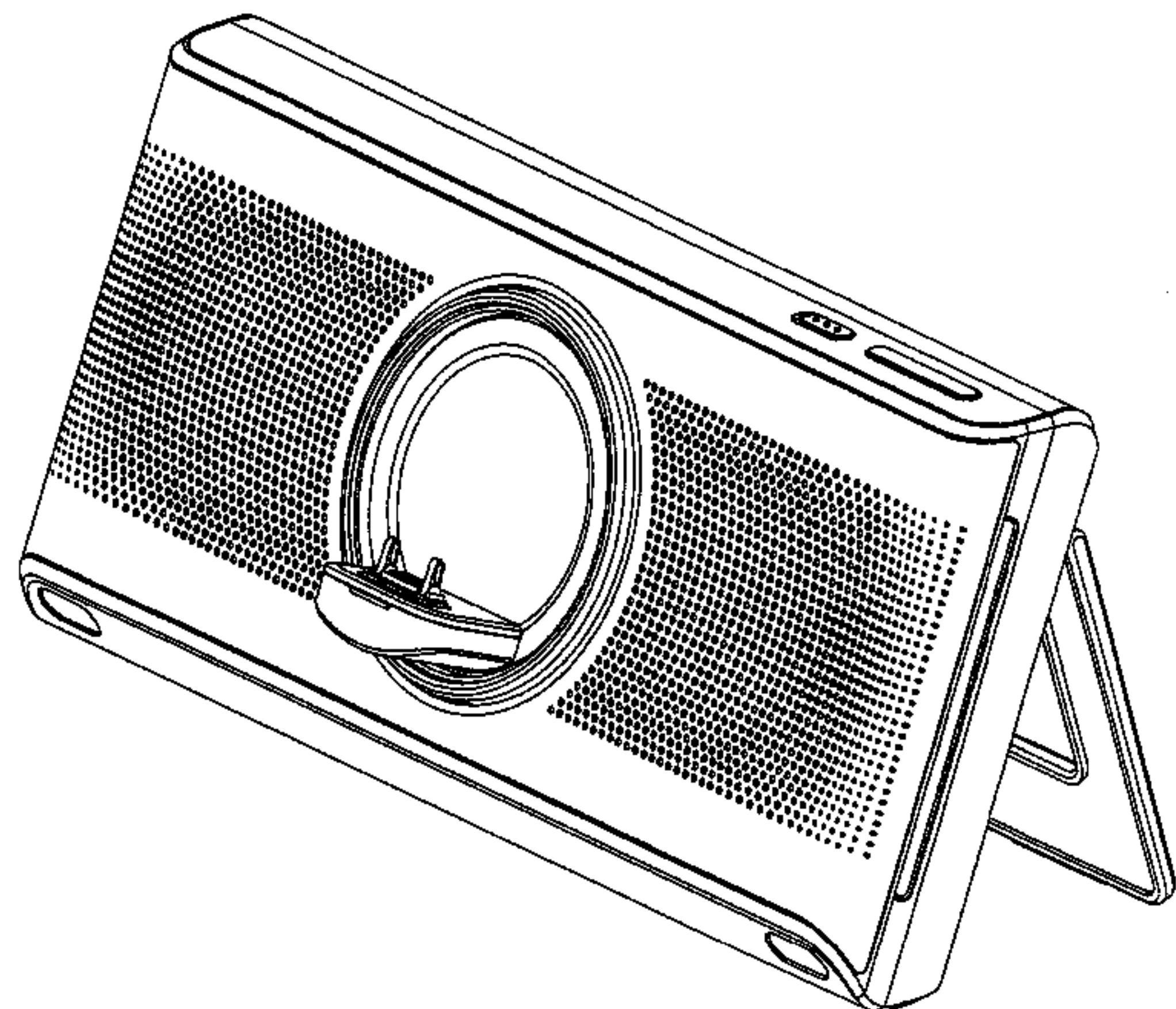
(74) *Attorney, Agent, or Firm*—Renner, Otto, Boisselle & Sklar, LLP

(57) **CLAIM**

The ornamental design for a music desk stand, as shown and described.

FIG. 1 is a front perspective view of a music desk stand showing my design;
 FIG. 2 is a front view thereof;
 FIG. 3 is a rear view thereof;
 FIG. 4 is a top view thereof;
 FIG. 5 is a rear perspective view thereof;
 FIG. 6 is a bottom view thereof;
 FIG. 7 is a left side view thereof, the right side view being a mirror image thereof;
 FIG. 8 is a front view of a second embodiment of FIG. 1;
 FIG. 9 is a rear view thereof;
 FIG. 10 is a rear perspective view thereof;
 FIG. 11 is a front perspective view thereof;
 FIG. 12 is a top view thereof;
 FIG. 13 is a bottom view thereof;
 FIG. 14 is a left side view thereof, the right side view being a mirror image thereof;
 FIG. 15 is a front view of a third embodiment of a third embodiment of FIG. 1;
 FIG. 16 is a rear view thereof;
 FIG. 17 is a bottom view thereof;
 FIG. 18 is a top view thereof;
 FIG. 19 is a front perspective view thereof;
 FIG. 20 is a rear perspective view thereof;
 FIG. 21 is a left side view thereof, the right side view being a mirror image thereof;
 FIG. 22 is a front view of a fourth embodiment of FIG. 1;
 FIG. 23 is a rear view thereof;
 FIG. 24 is a front perspective view thereof;
 FIG. 25 is a rear perspective view thereof;
 FIG. 26 is a bottom view thereof;
 FIG. 27 is a top view thereof; and,
 FIG. 28 is a left side view thereof, the right side view being a mirror image thereof.

1 Claim, 12 Drawing Sheets



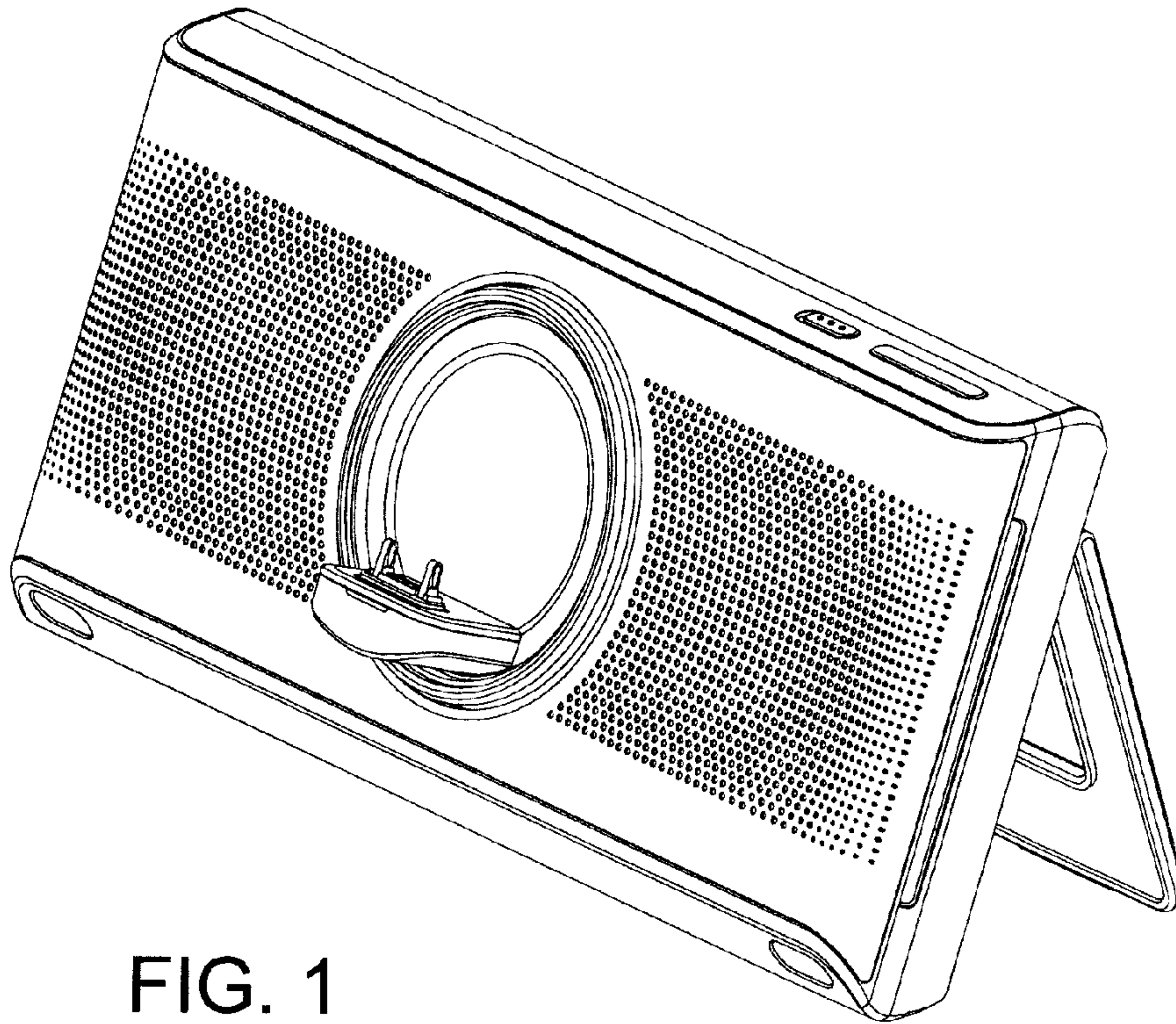


FIG. 1

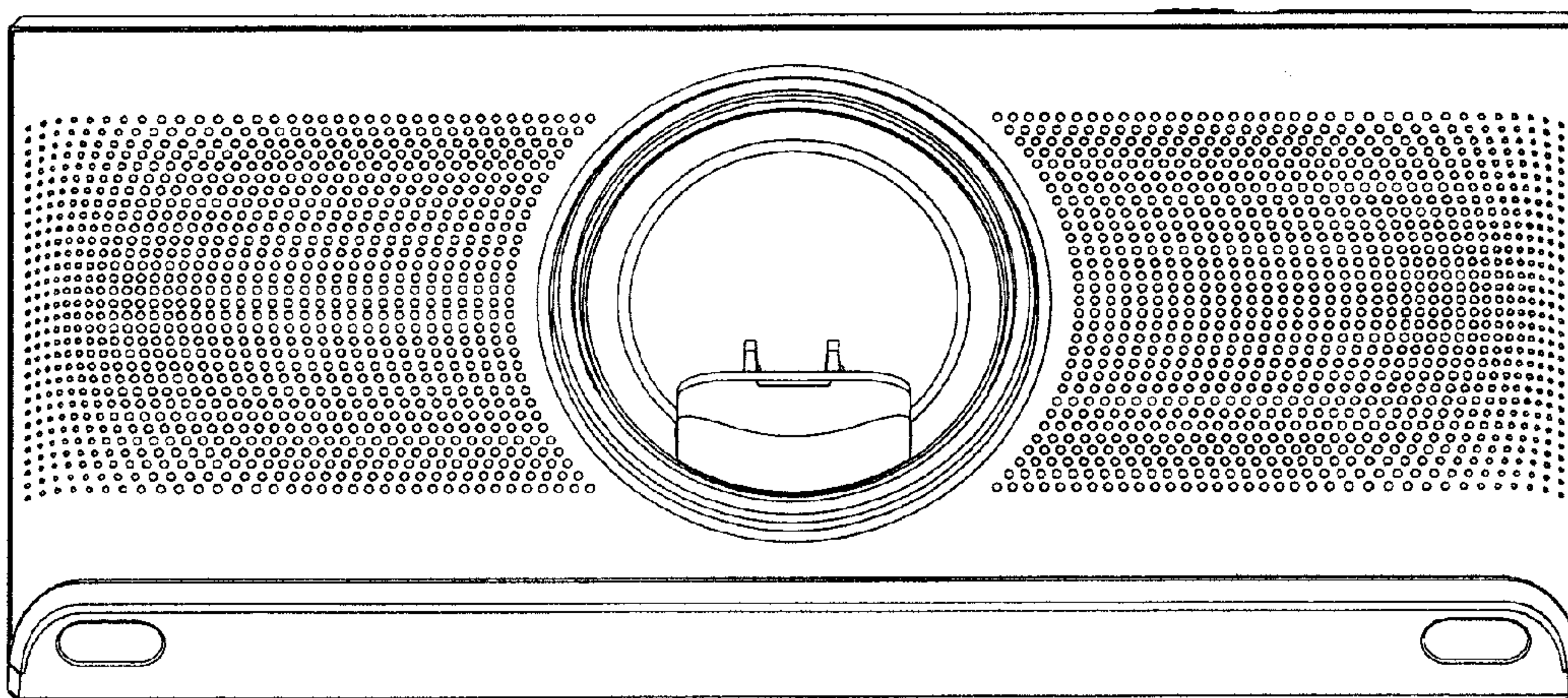


FIG. 2

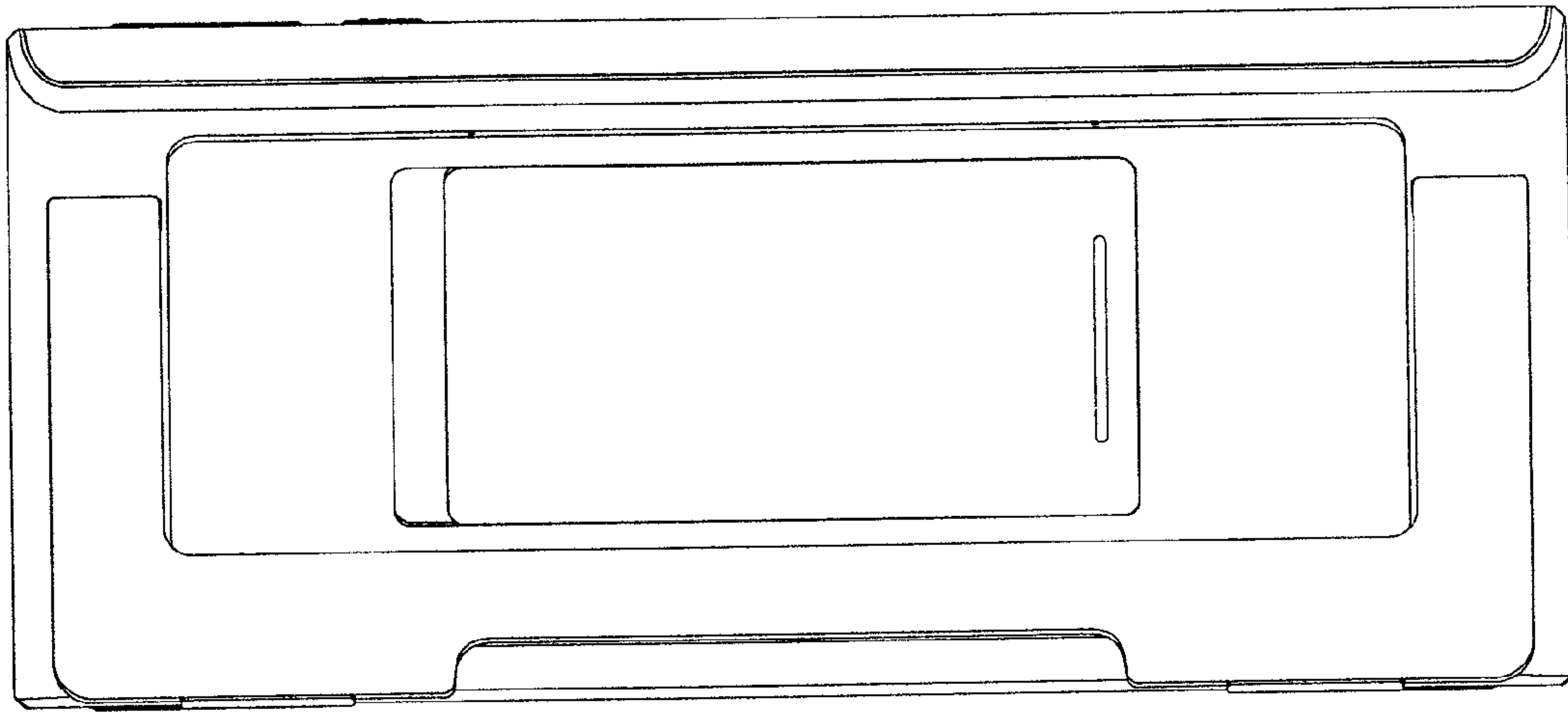


FIG. 3

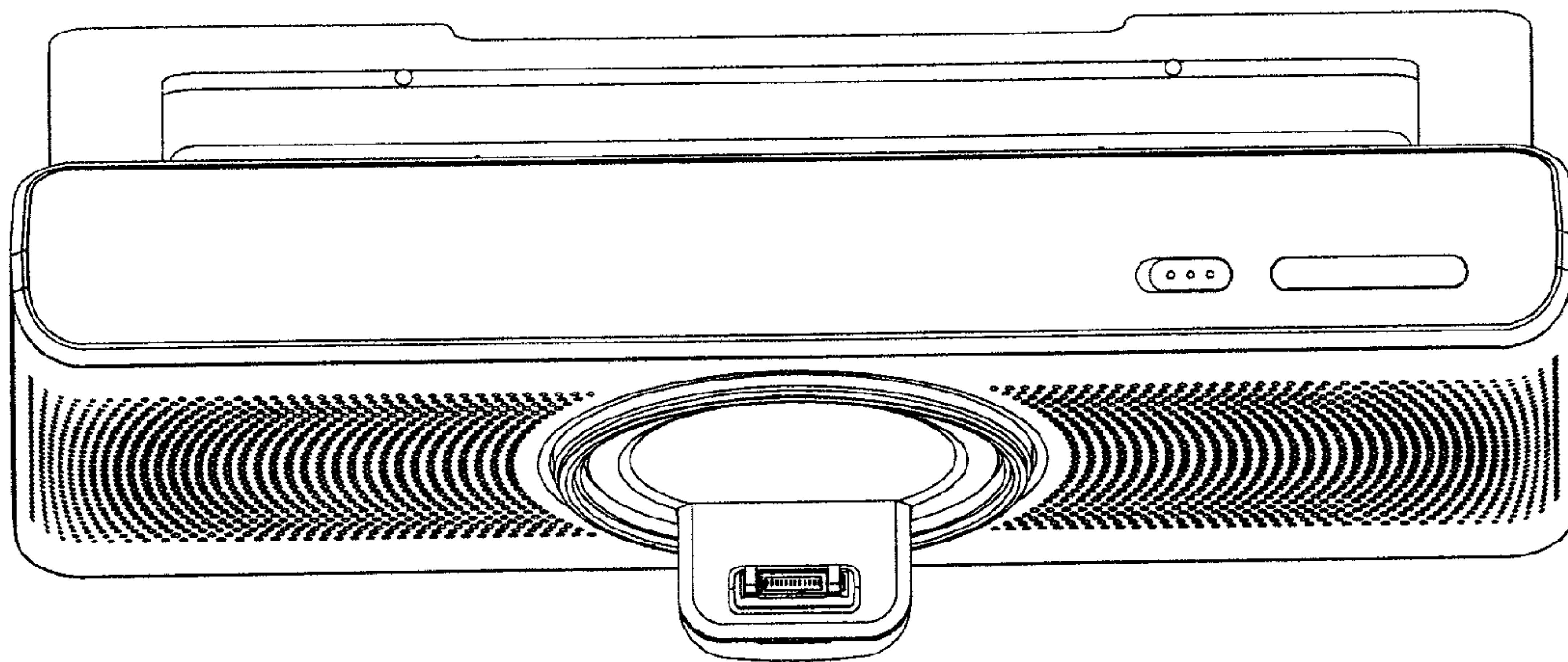


FIG. 4

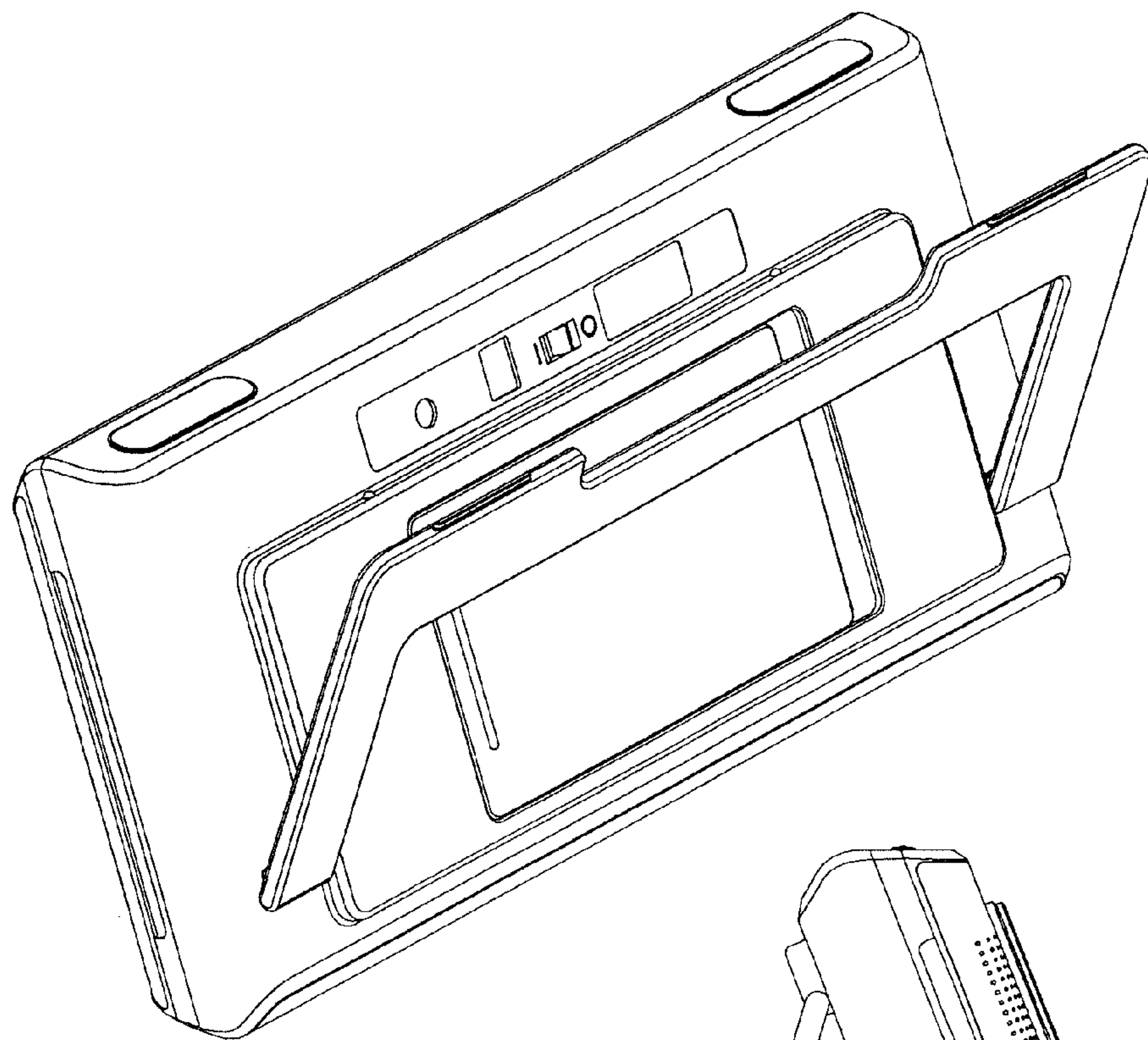


FIG. 5

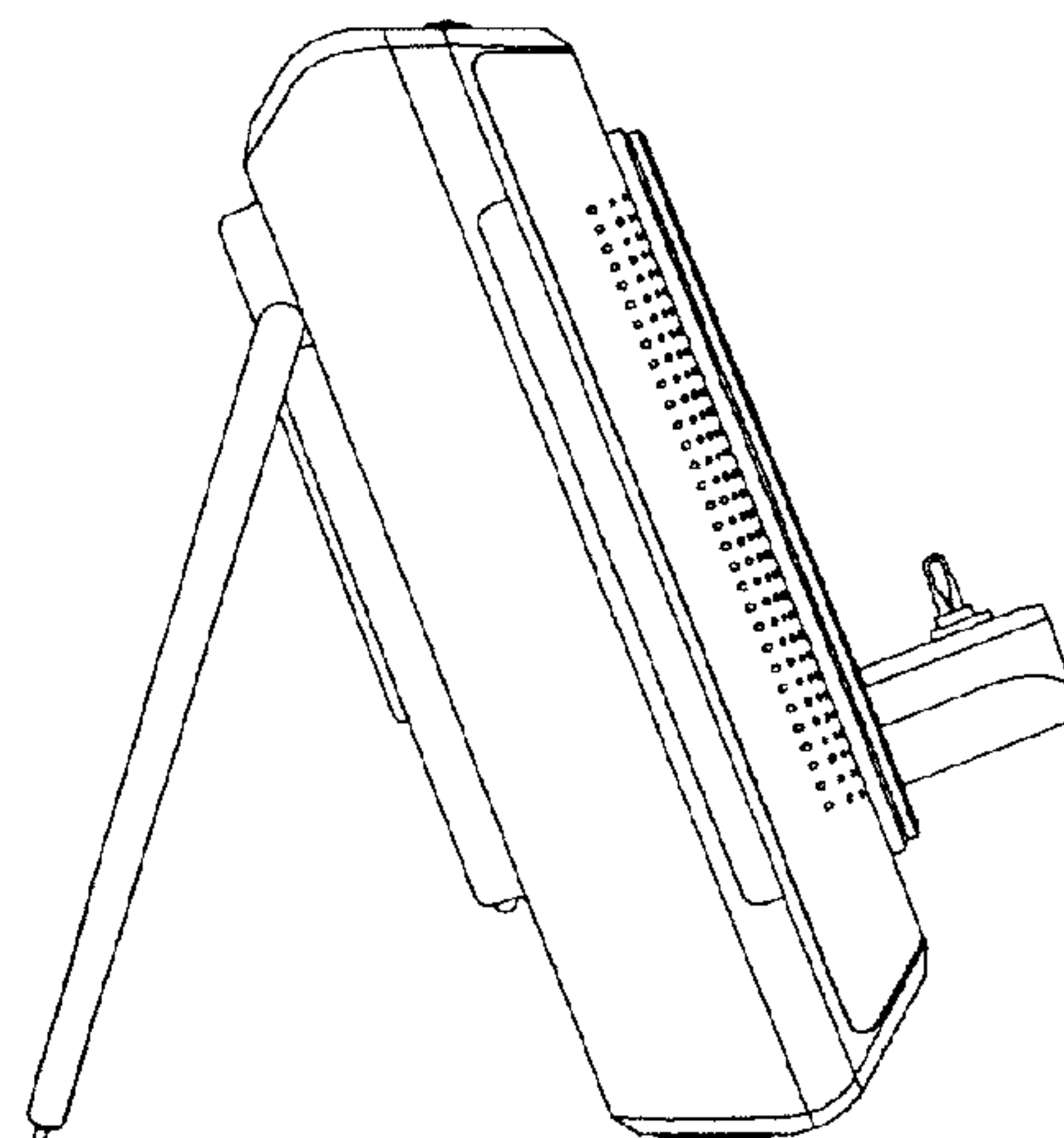


FIG. 7

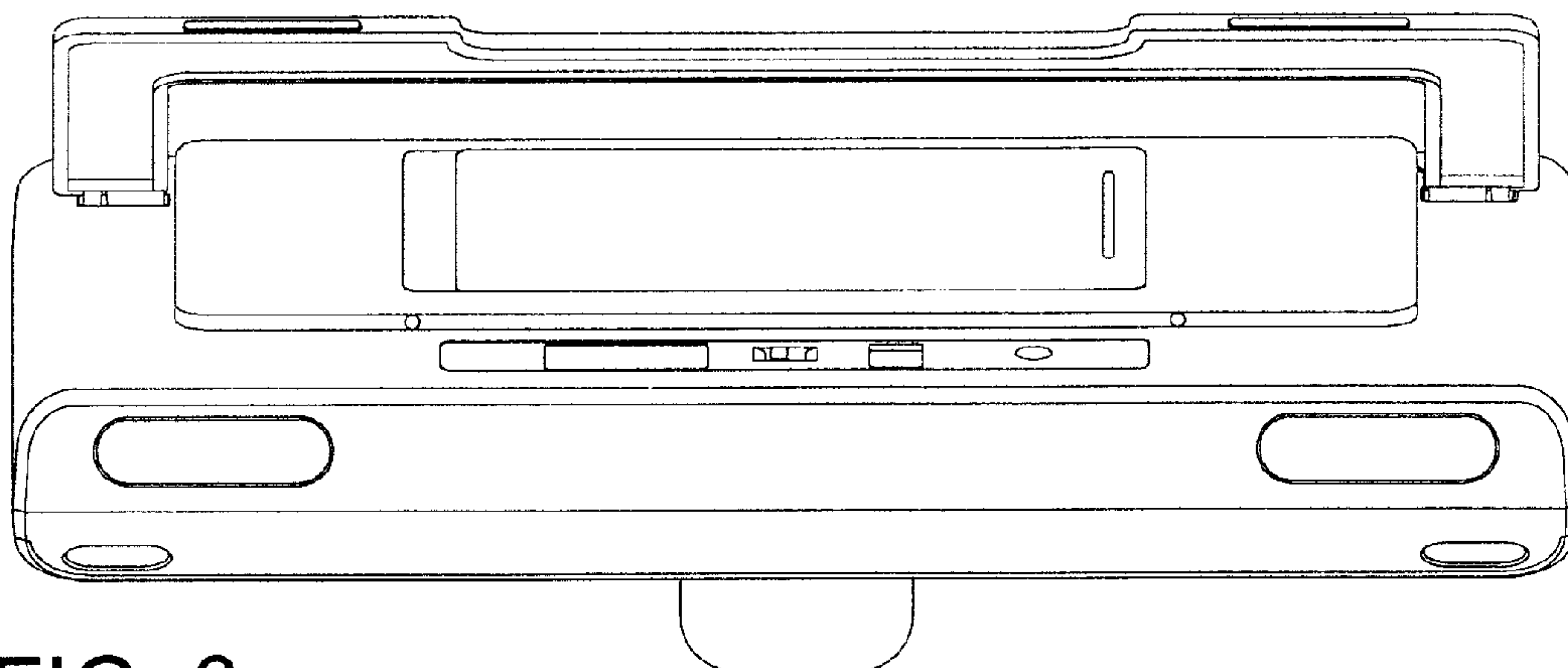


FIG. 6

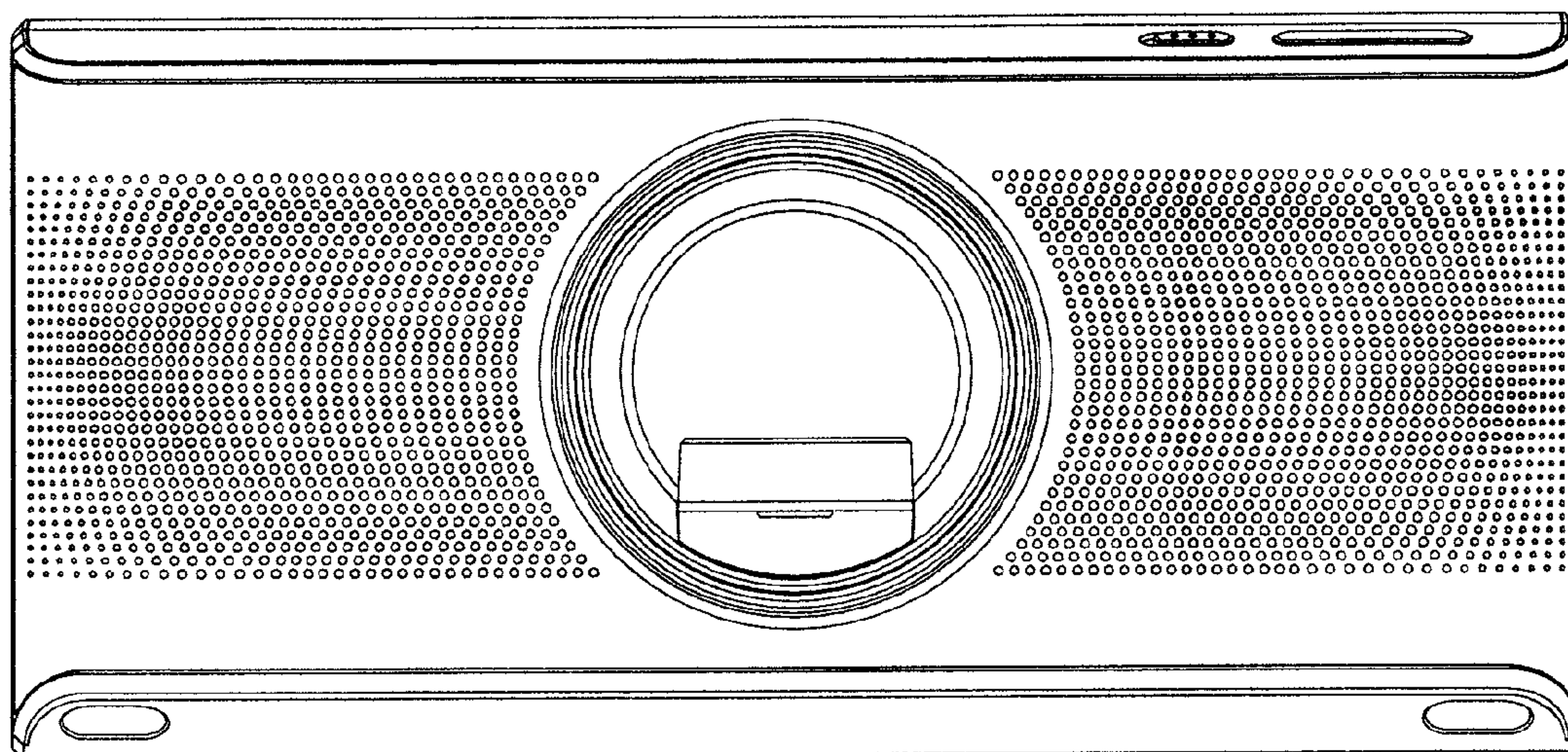


FIG. 8

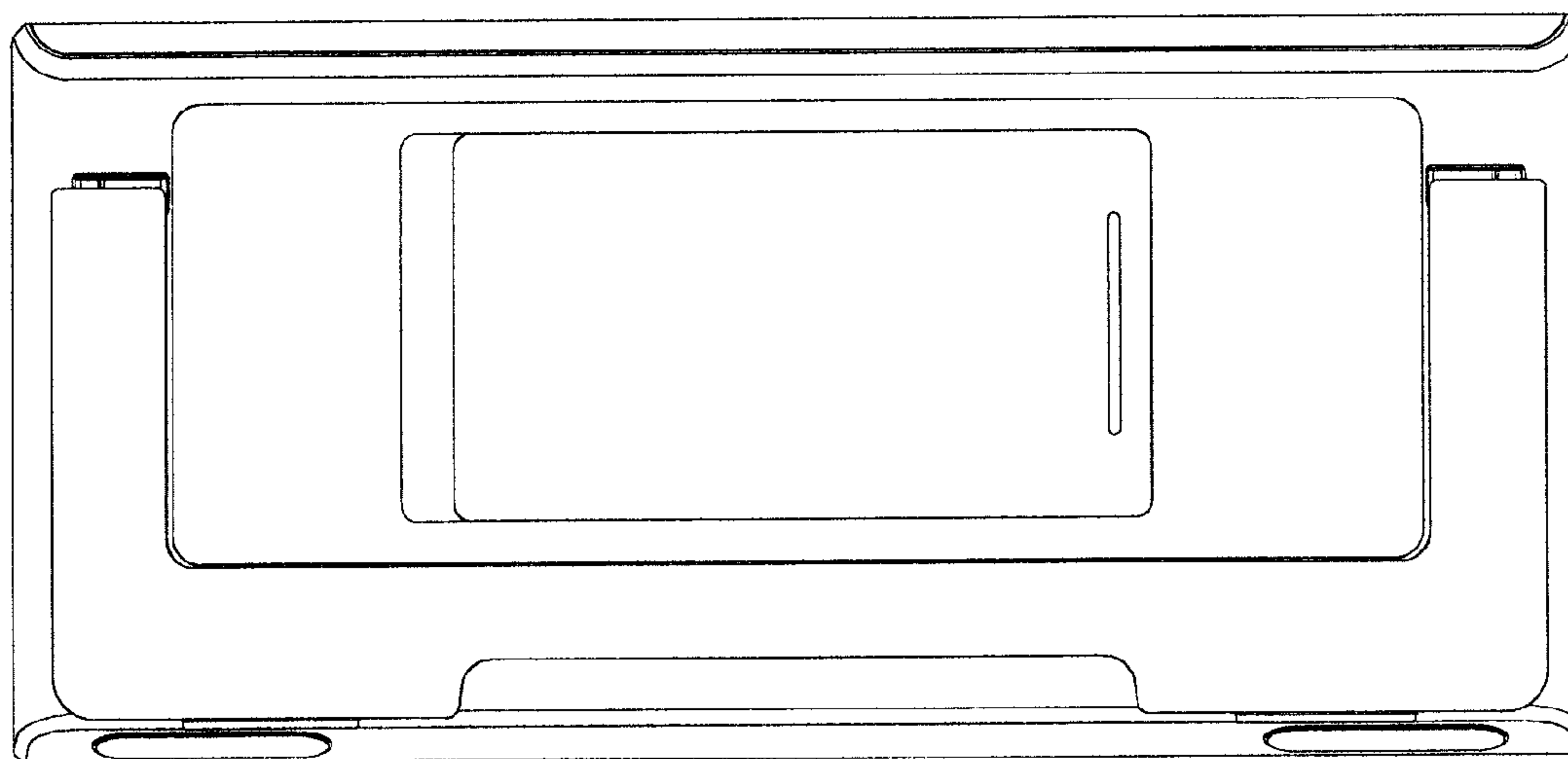


FIG. 9

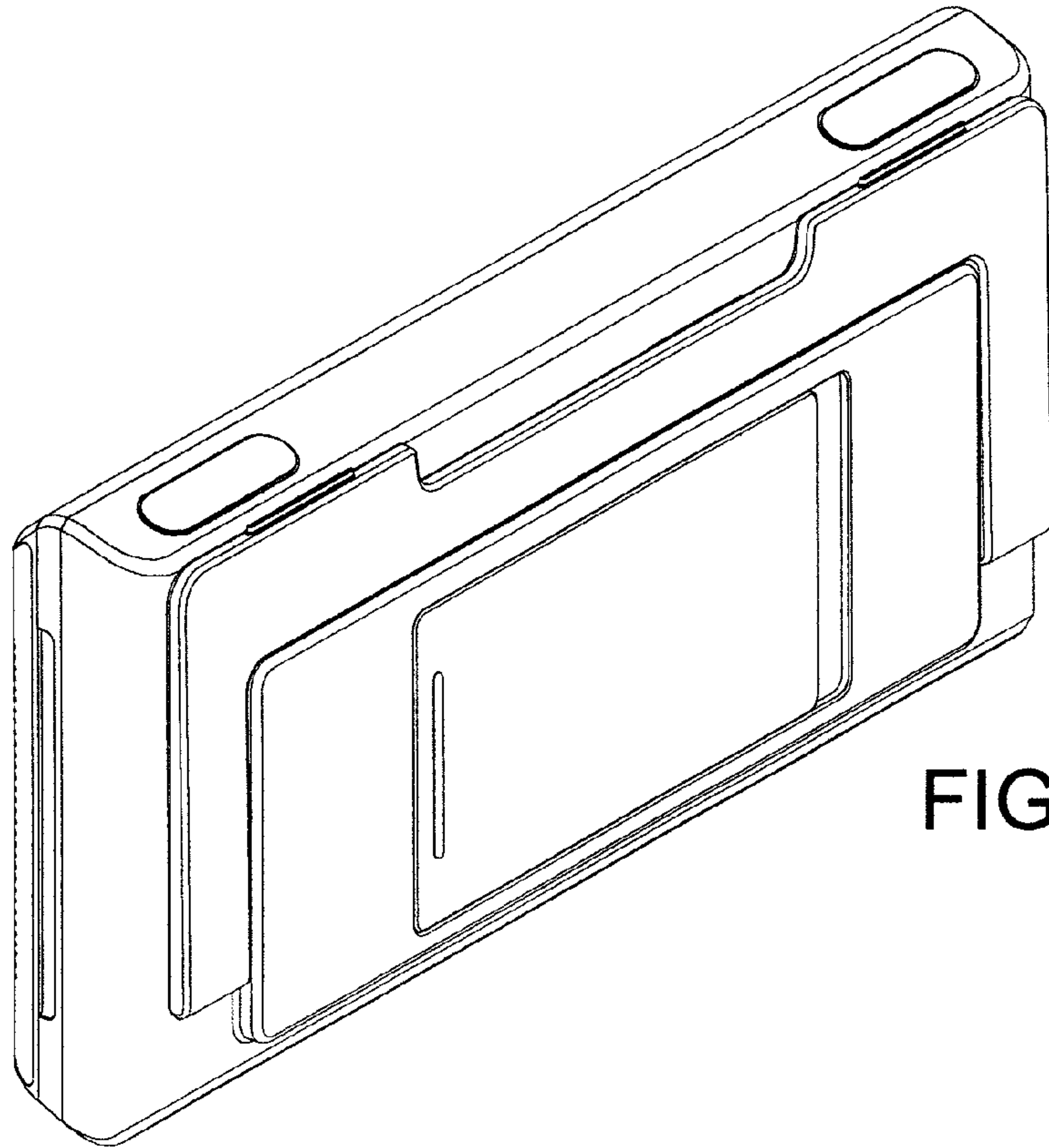


FIG. 10

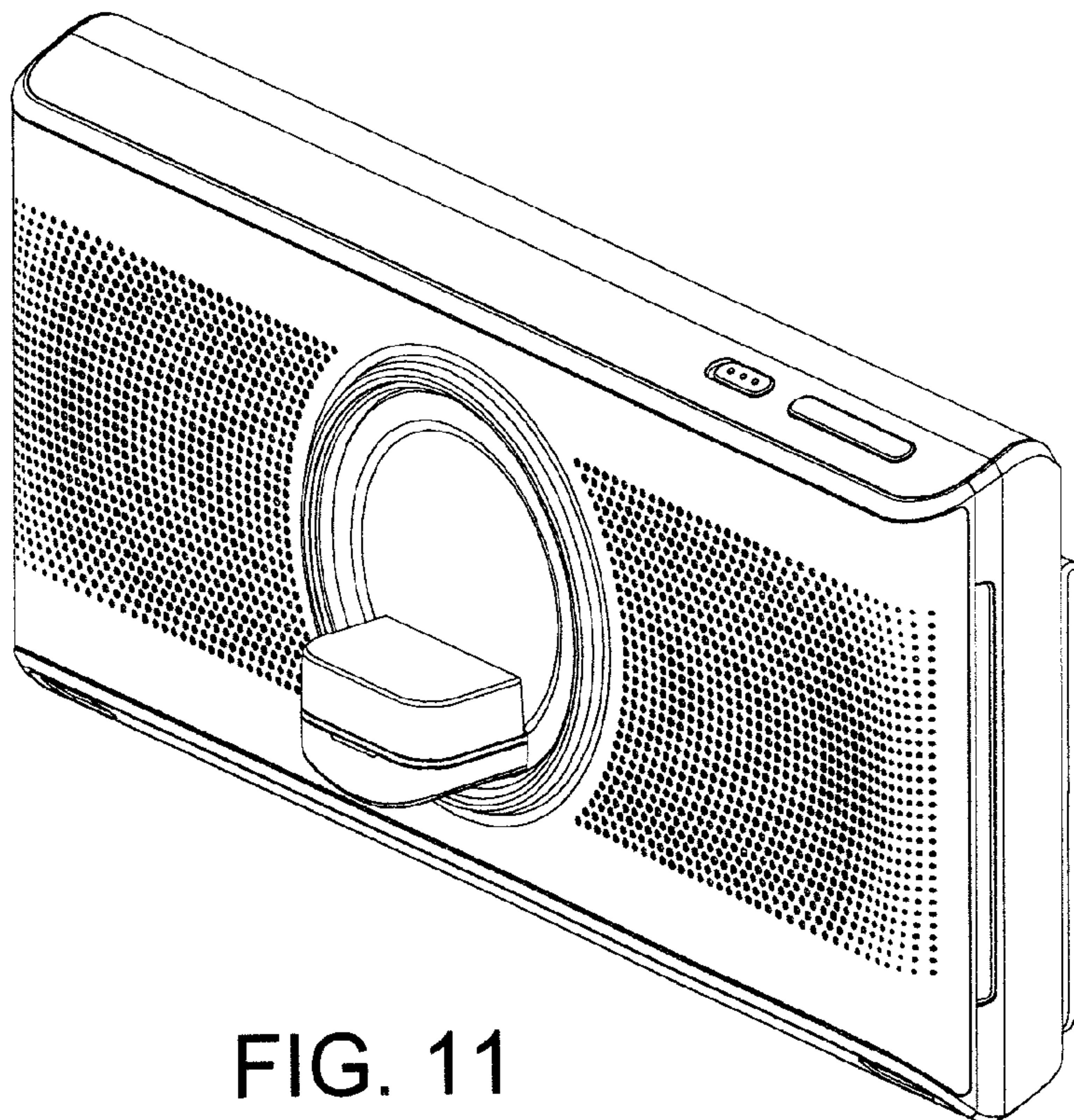


FIG. 11

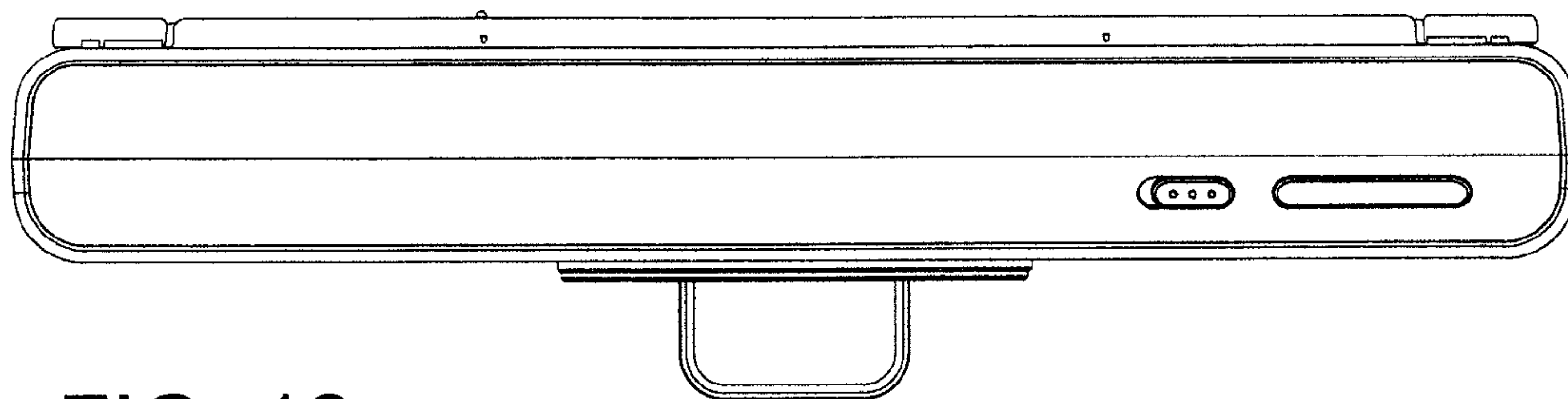


FIG. 12

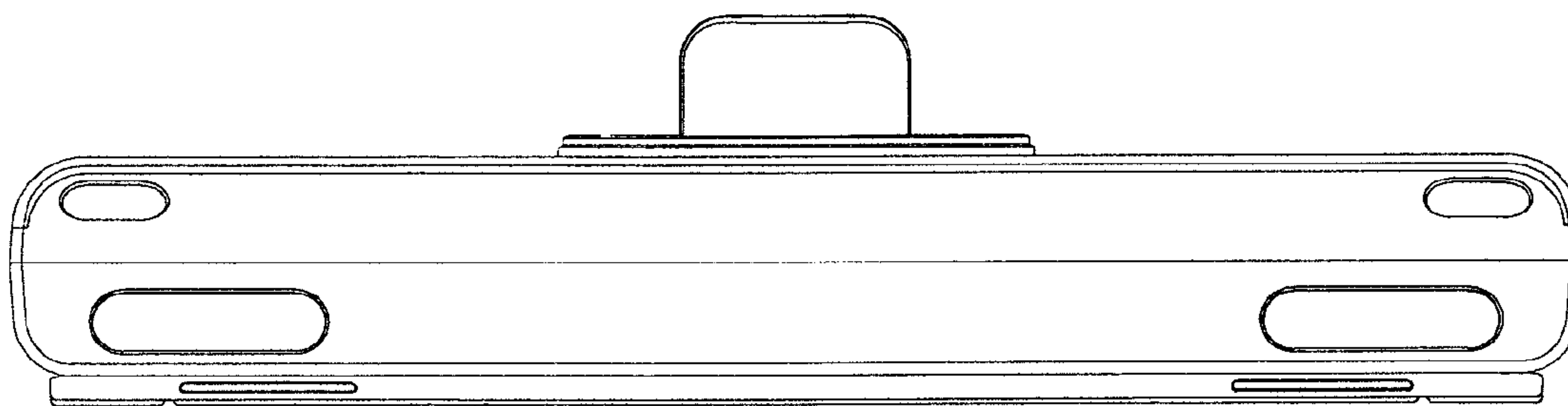


FIG. 13

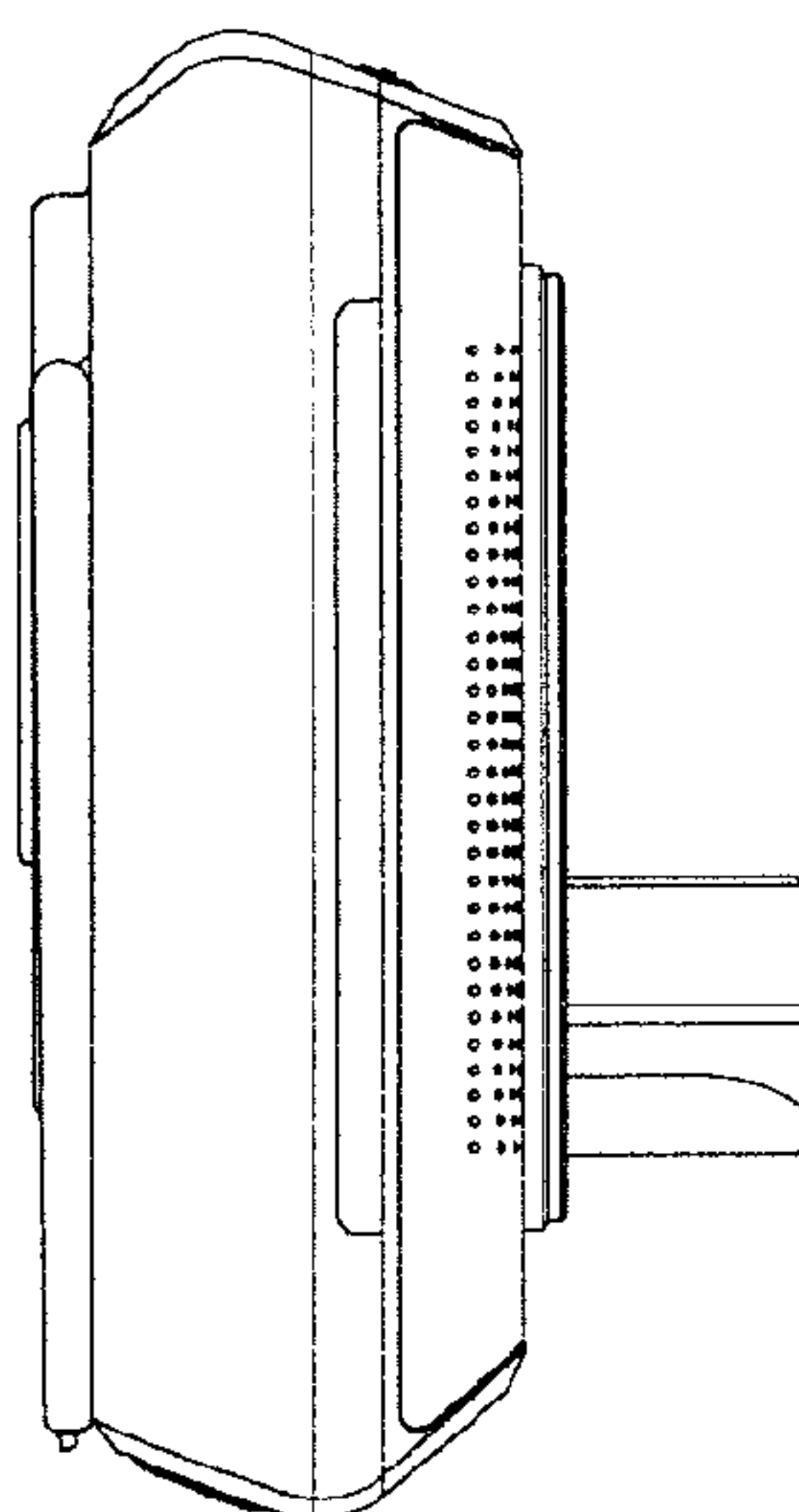


FIG. 14

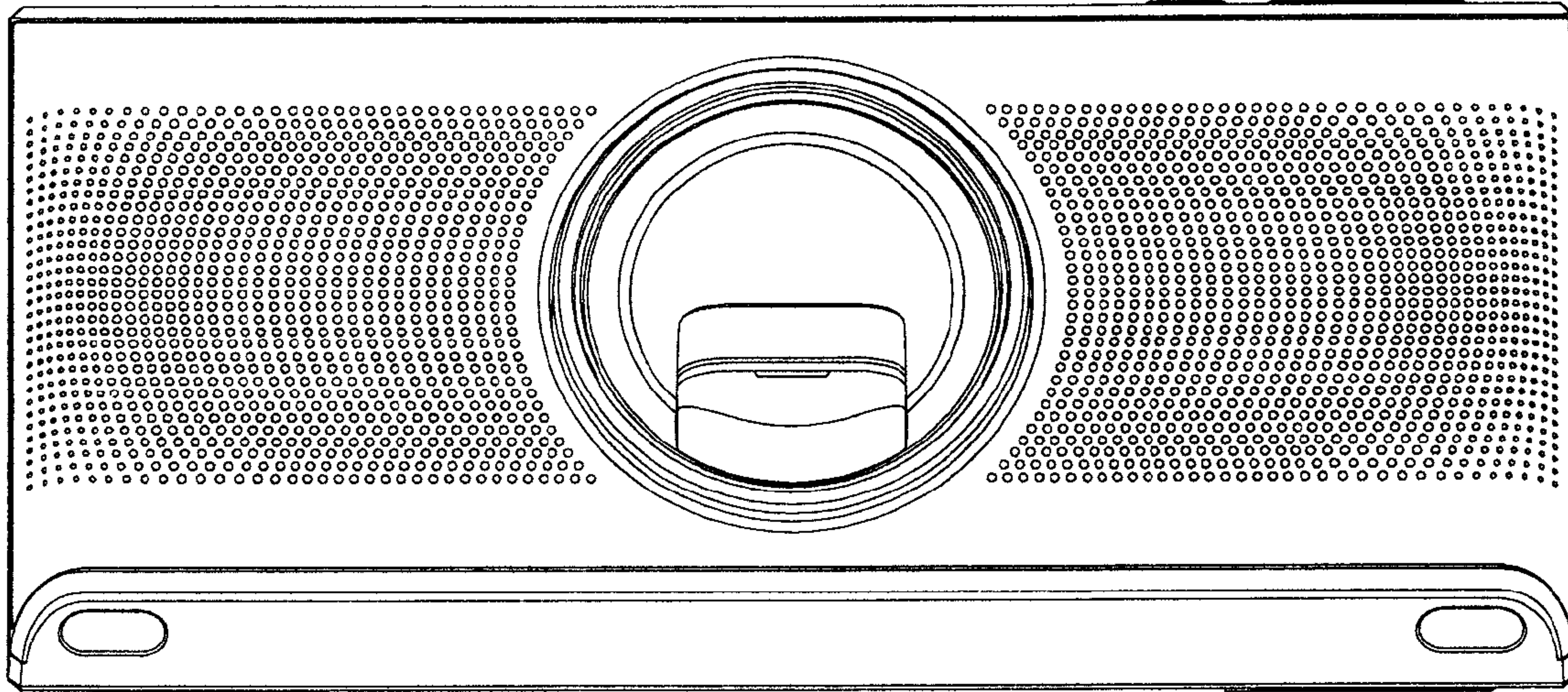


FIG. 15

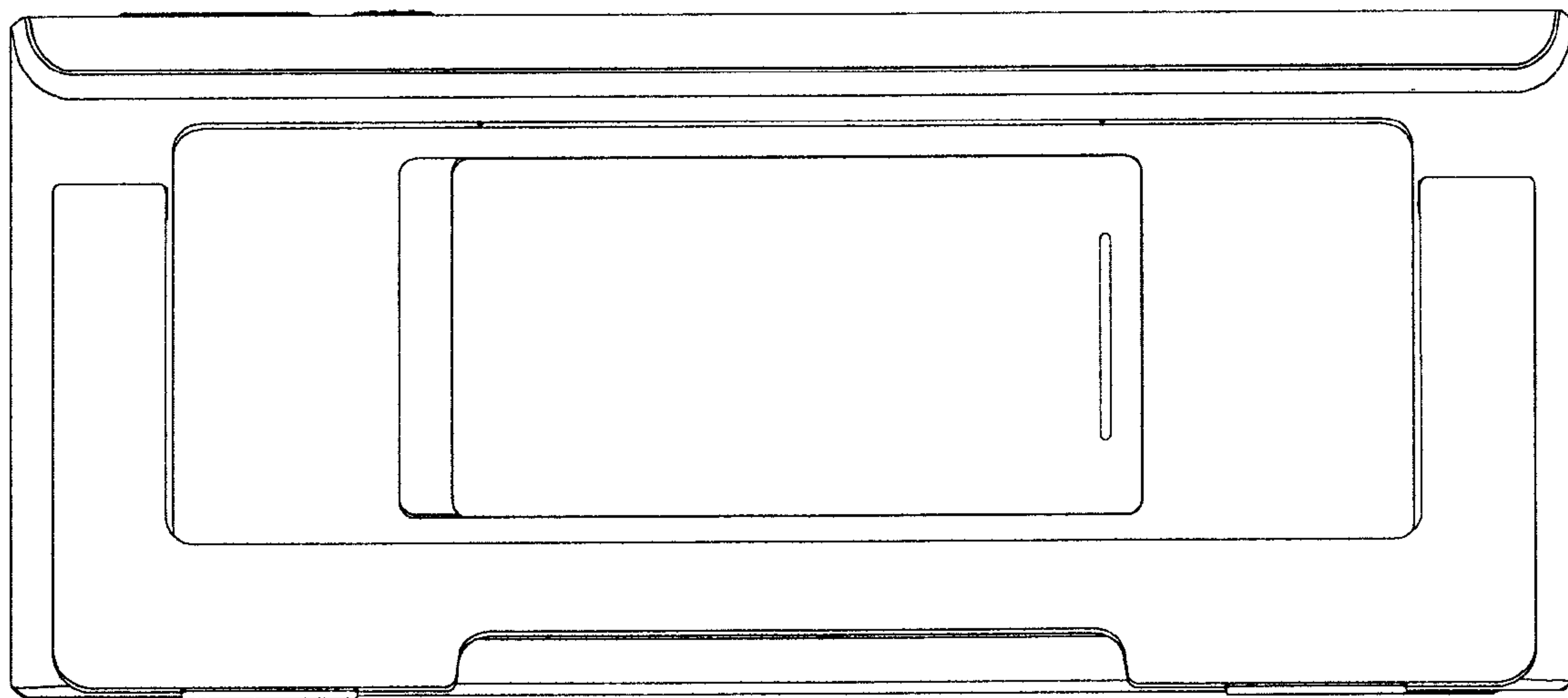


FIG. 16

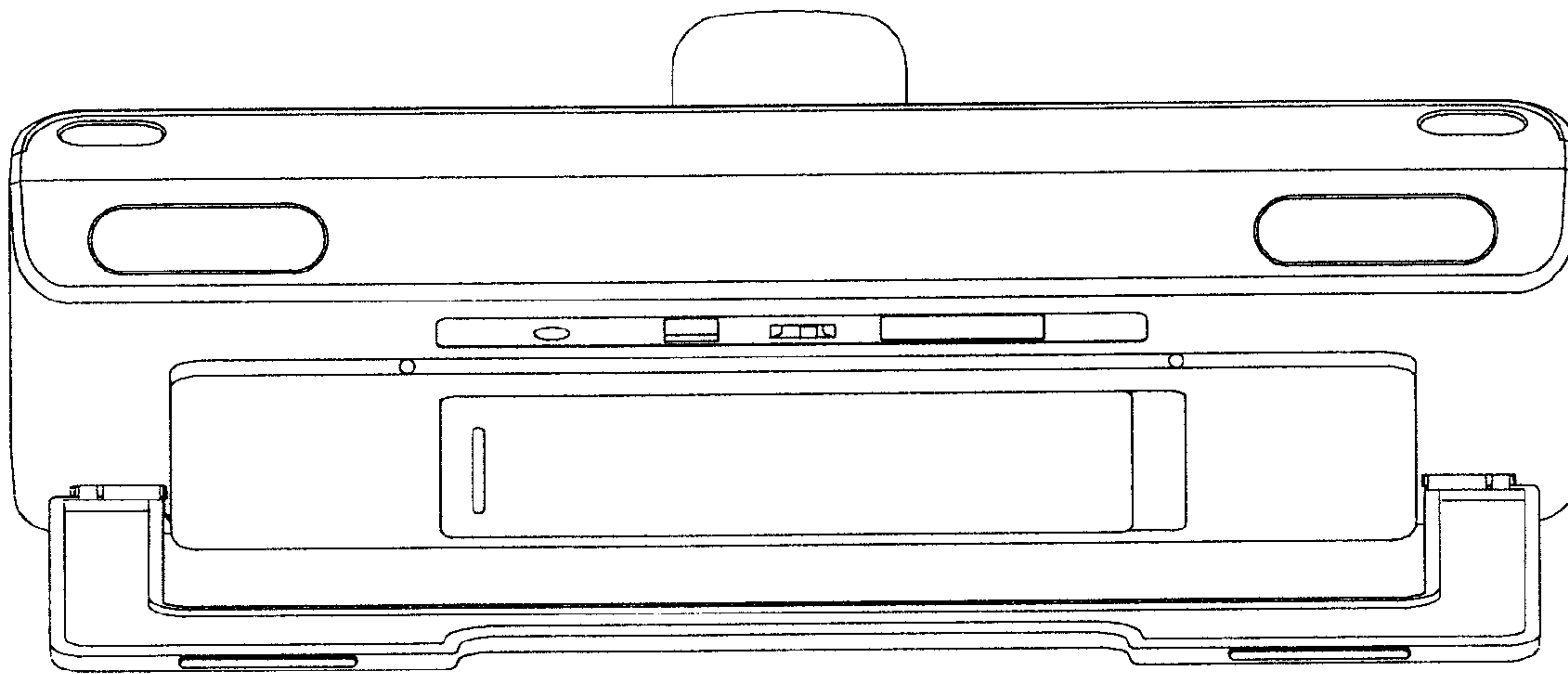


FIG. 17

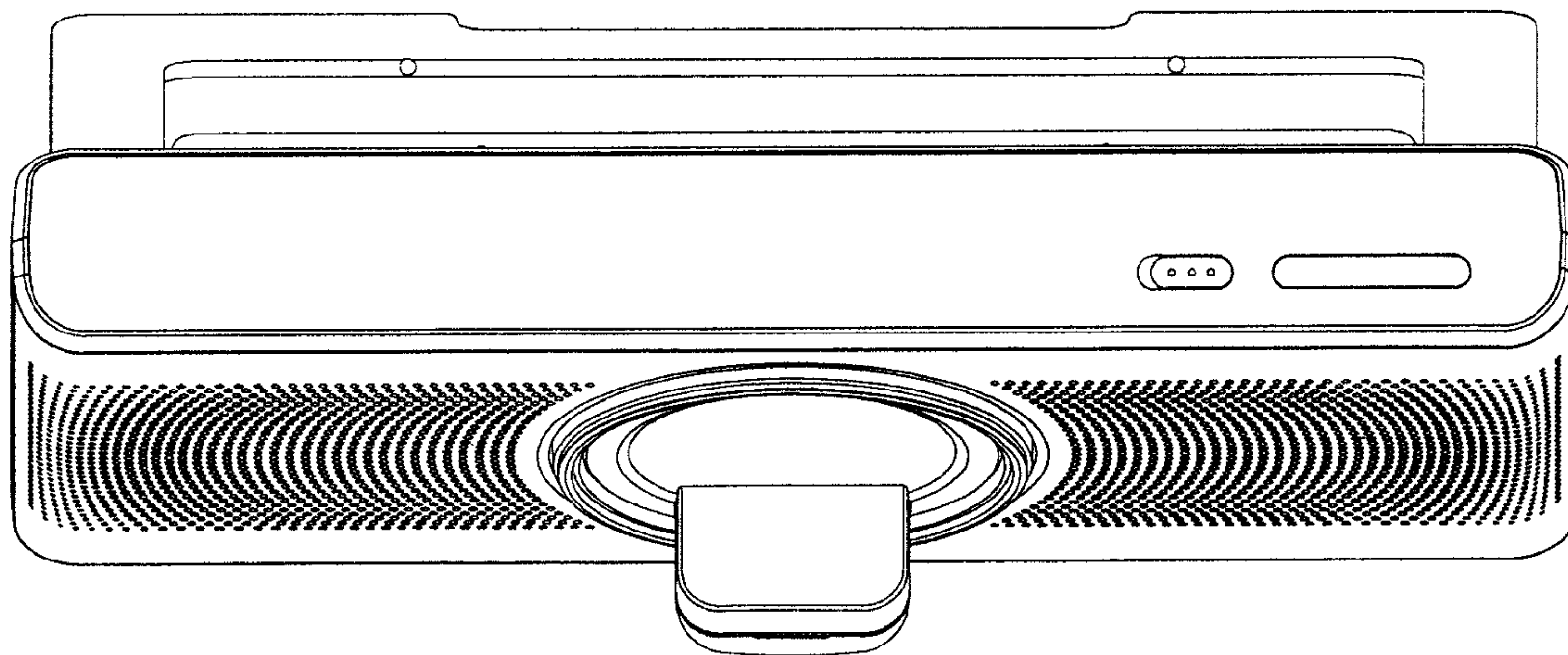


FIG. 18

FIG. 19

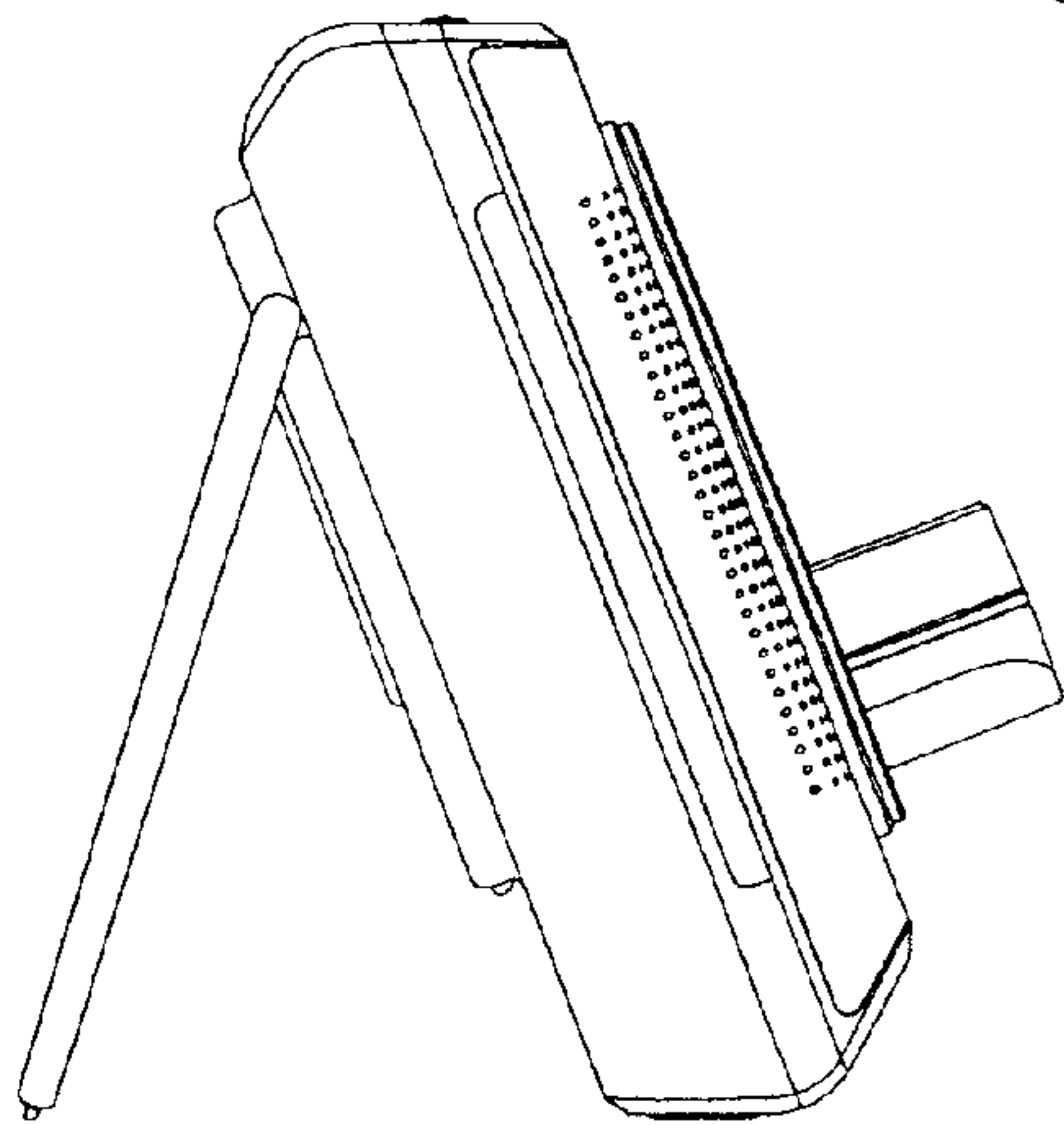
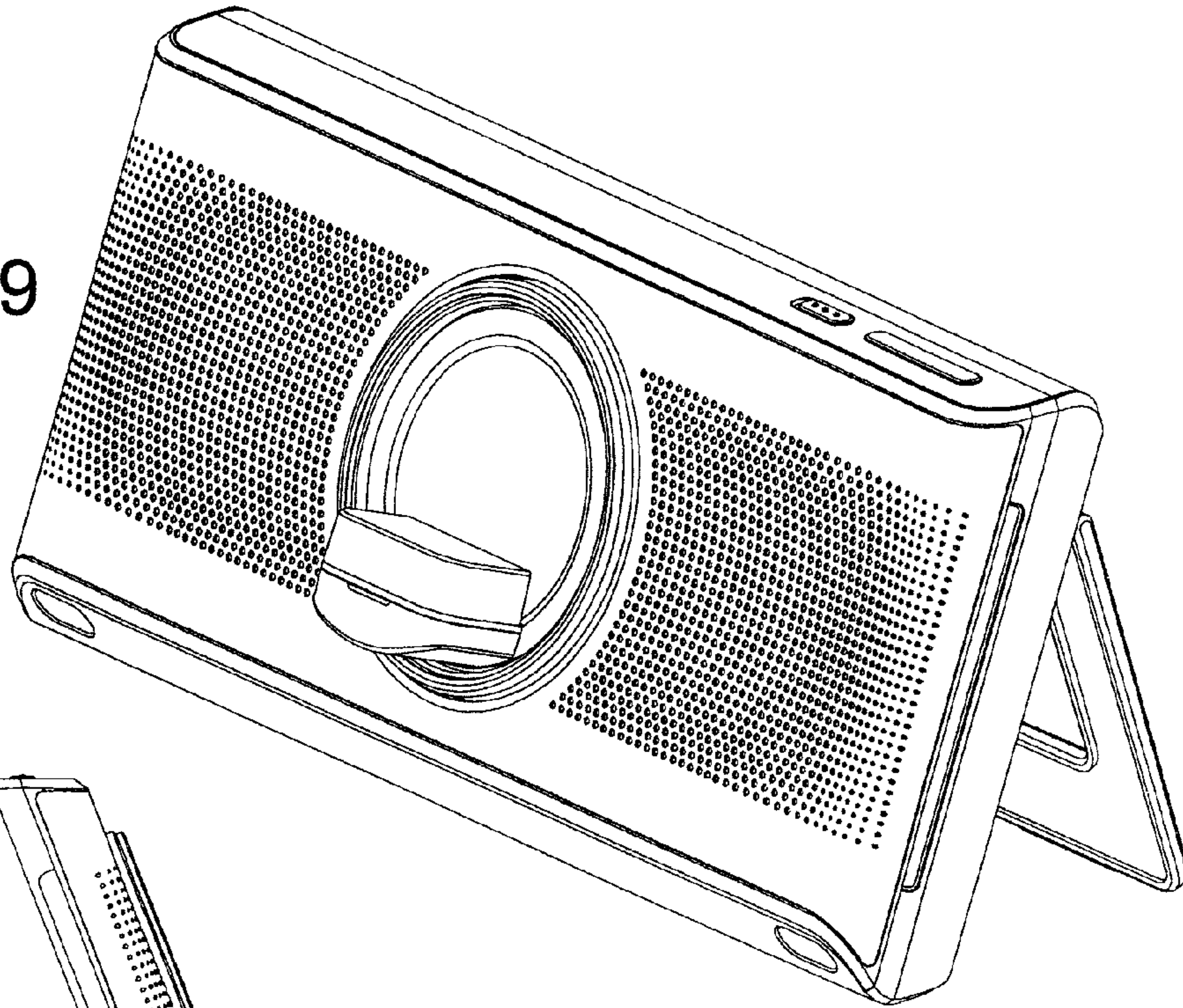


FIG. 21

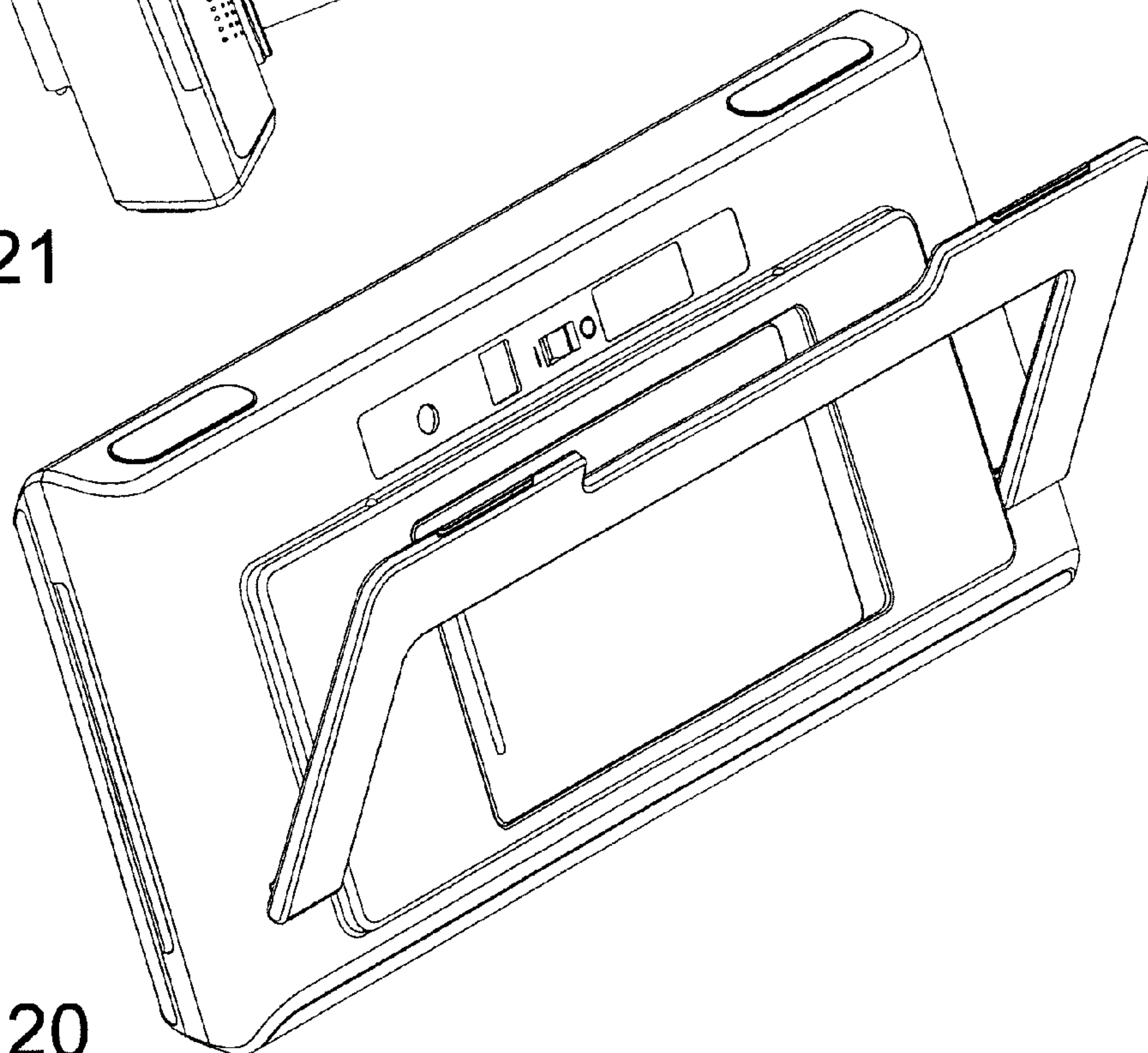


FIG. 20

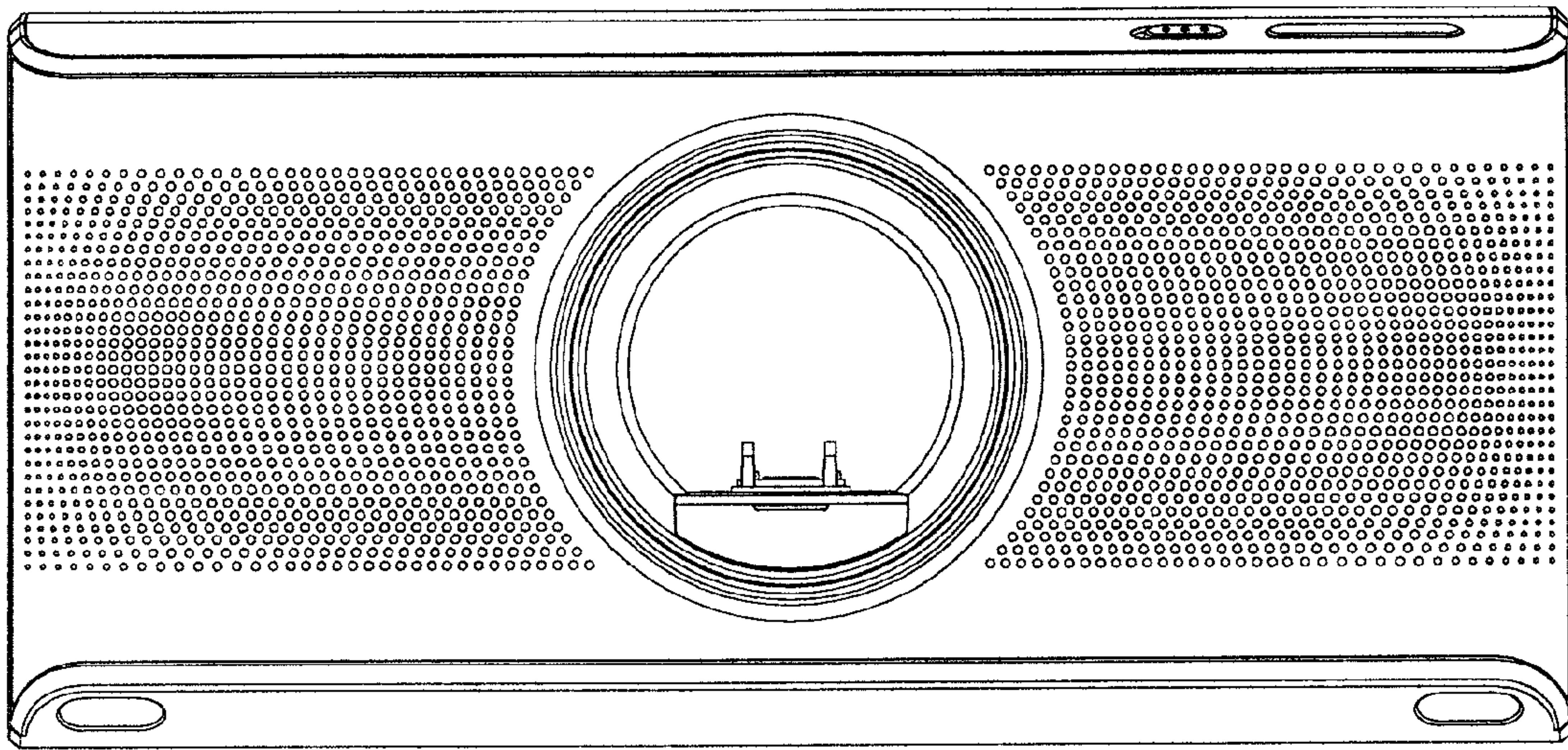


FIG. 22

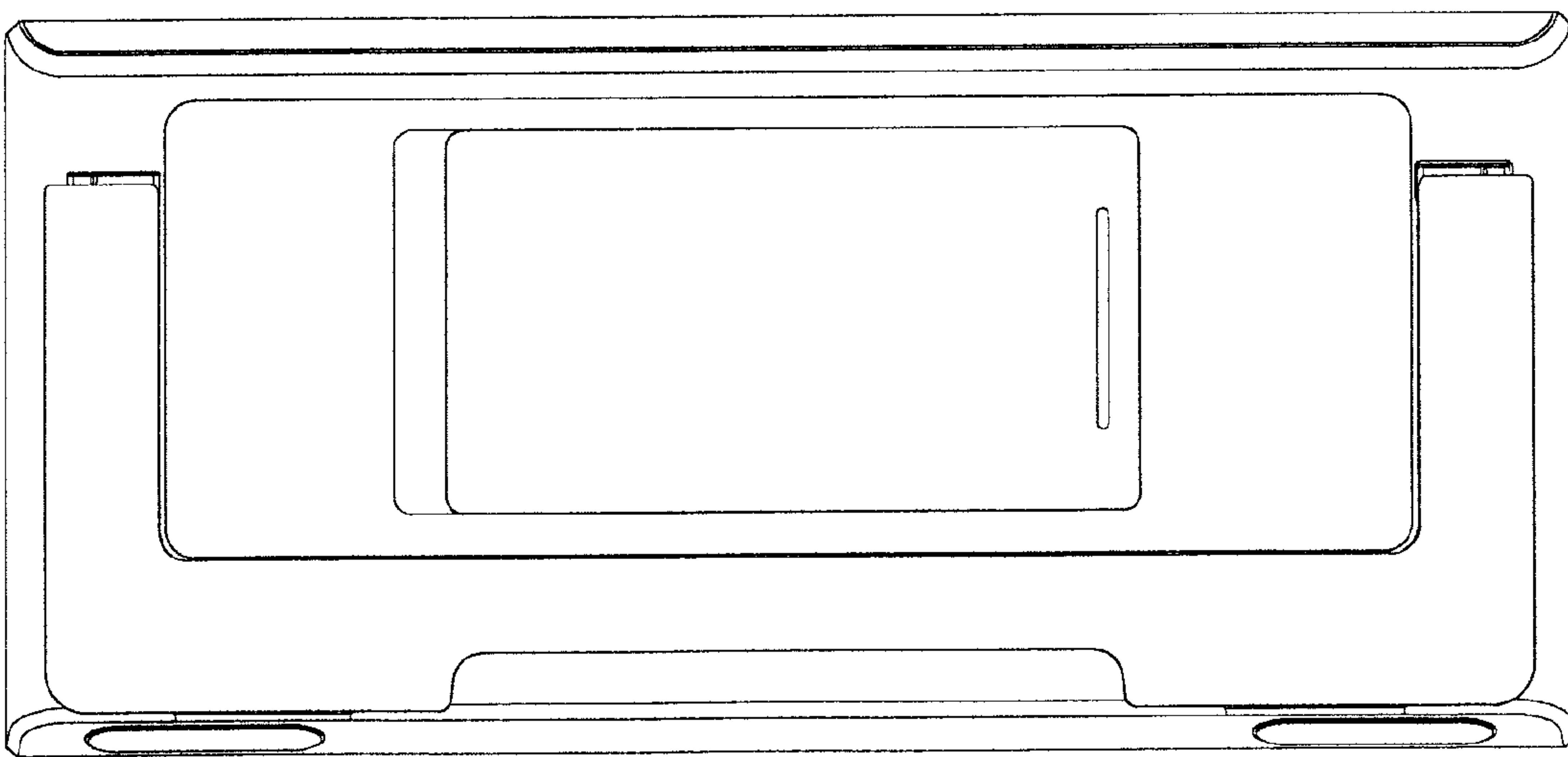


FIG. 23

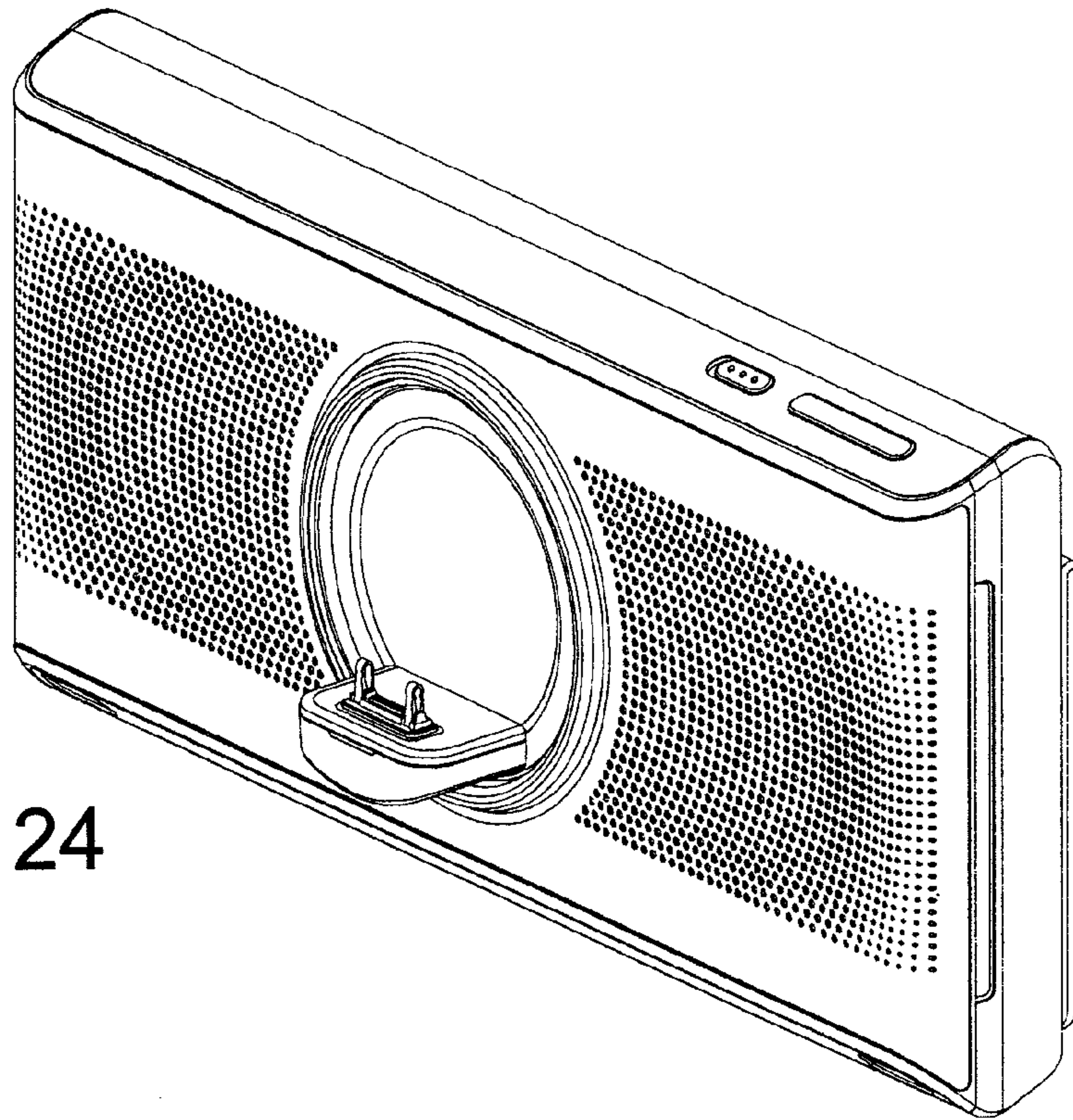


FIG. 24

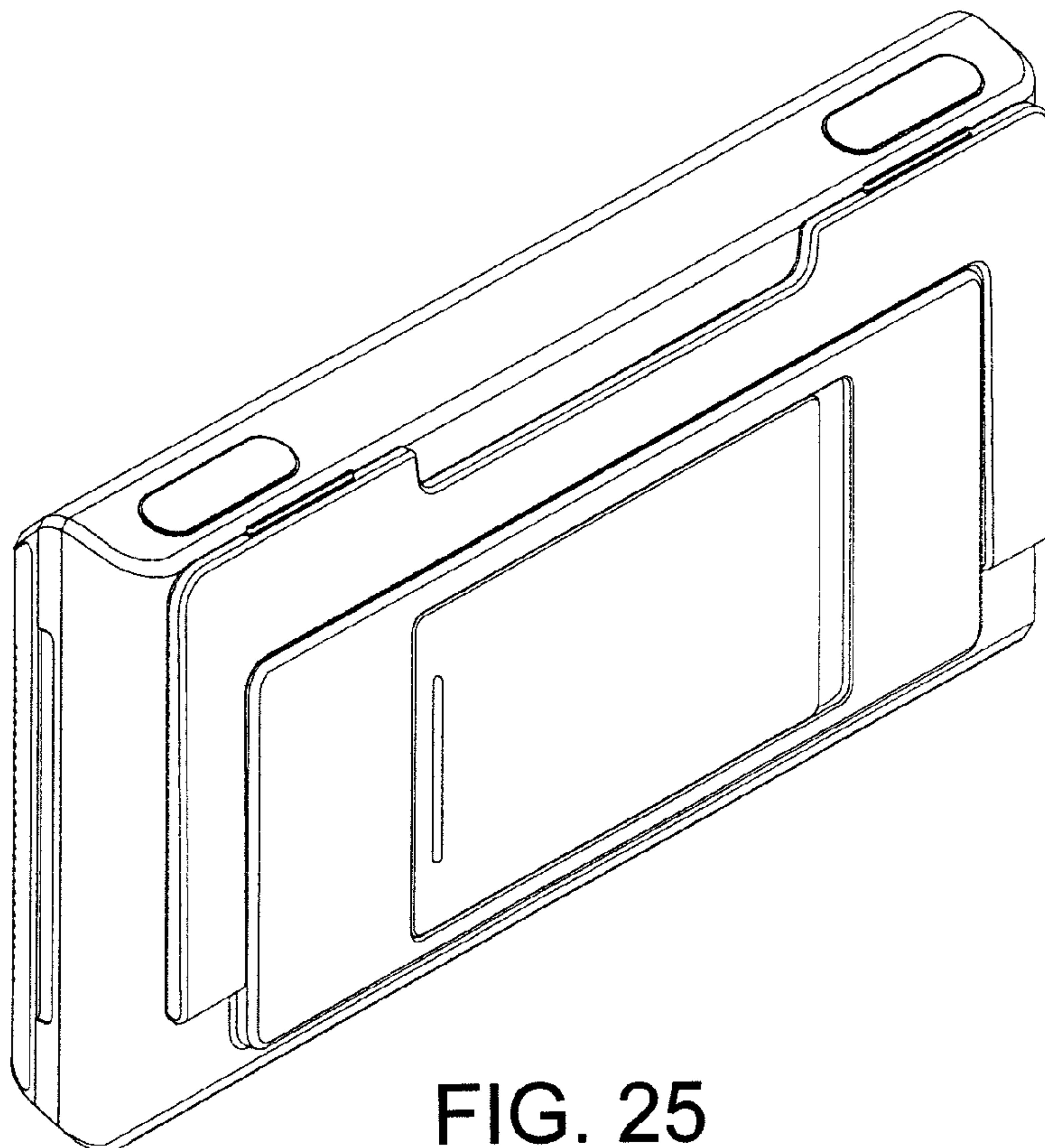


FIG. 25

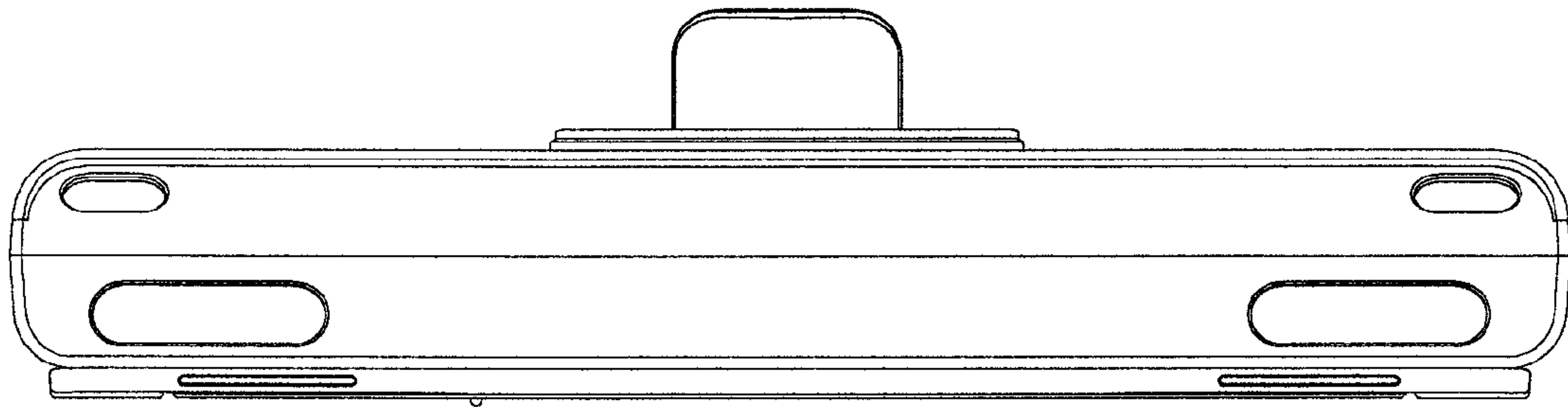


FIG. 26

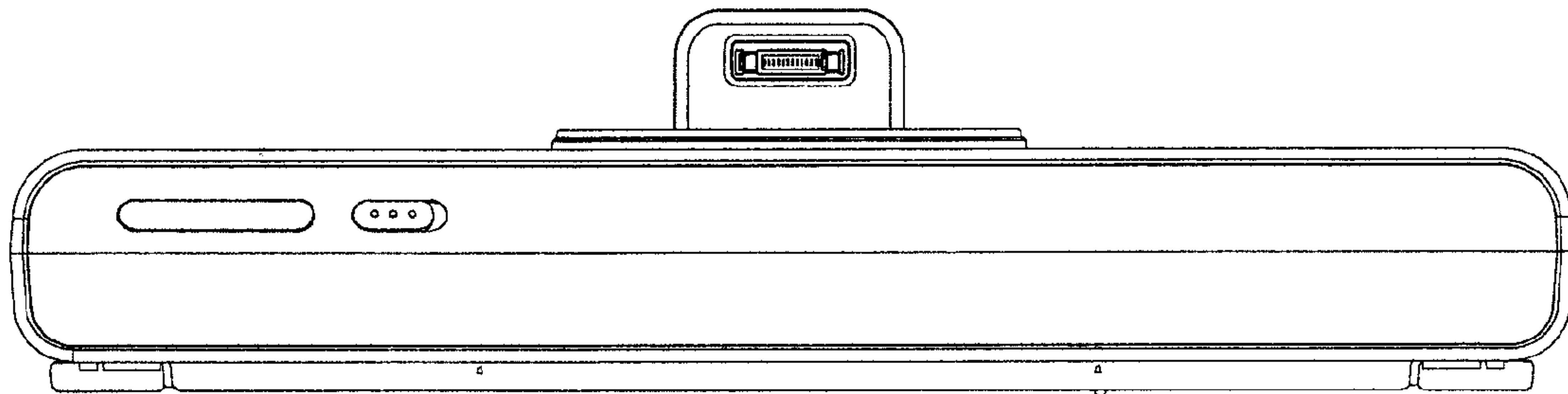


FIG. 27

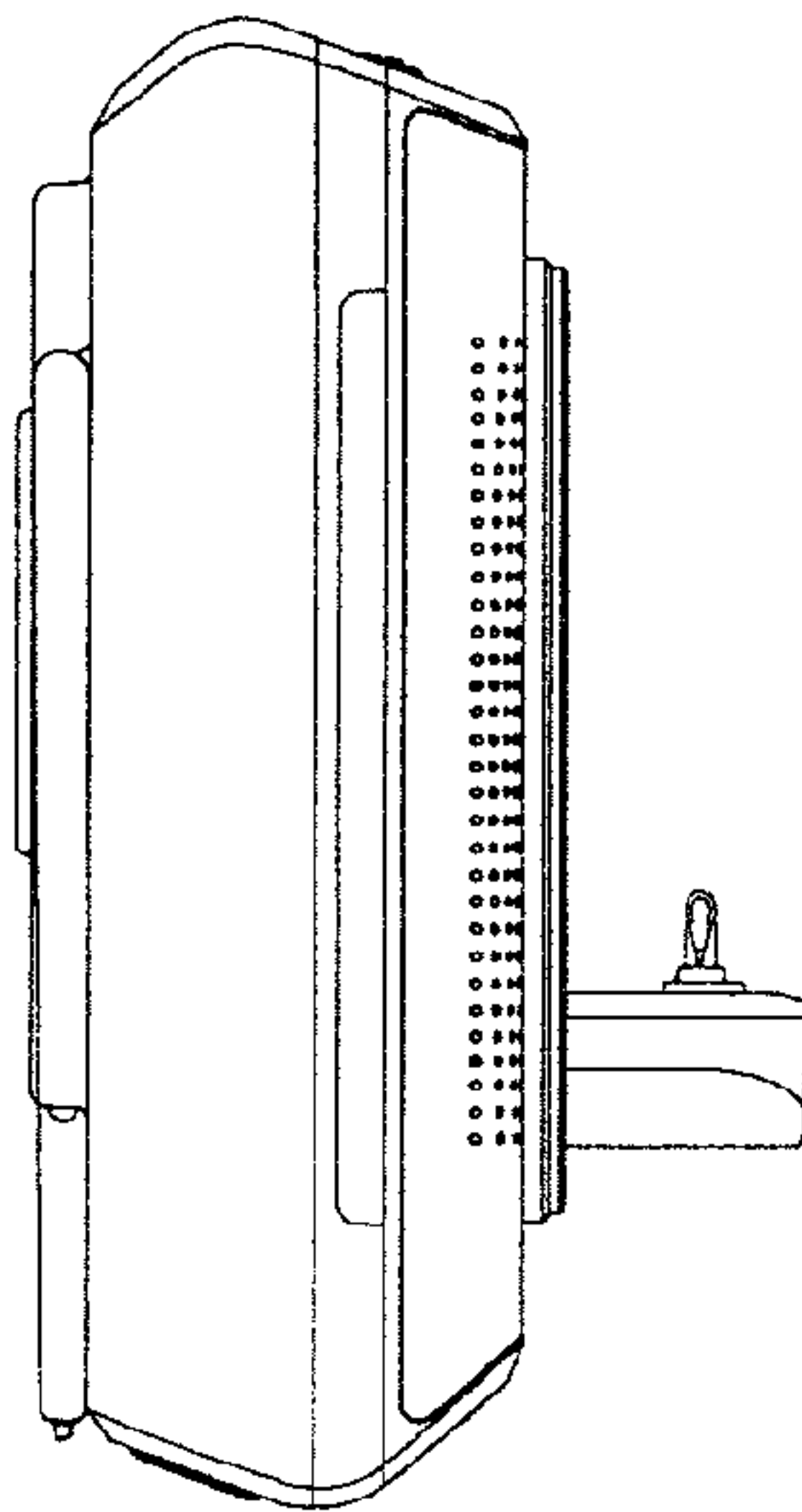


FIG. 28