



US00D584714S

(12) **United States Design Patent**
Lum et al.

(10) **Patent No.:** **US D584,714 S**

(45) **Date of Patent:** **** Jan. 13, 2009**

(54) **LOUDSPEAKER CROSSOVER**

D487,076 S * 2/2004 Nakane et al. D14/216
D520,012 S * 5/2006 Nishio et al. D13/147

(75) Inventors: **Myk Wayne Lum**, Irvine, CA (US);
Joseph D Morin, Mission Viejo, CA
(US)

* cited by examiner

Primary Examiner—Nanda Bondade

(73) Assignee: **Harman International Industries,
Incorporated**, Northridge, CA (US)

(74) *Attorney, Agent, or Firm*—Plumsea Law Group, LLC

(**) Term: **14 Years**

(57) **CLAIM**

(21) Appl. No.: **29/303,522**

The ornamental design for a loudspeaker crossover, as shown and described.

(22) Filed: **Feb. 11, 2008**

DESCRIPTION

(51) **LOC (9) Cl.** **14-01**

FIG. 1 is a perspective view of a loudspeaker crossover showing our new design;

(52) **U.S. Cl.** **D14/204; D14/168**

FIG. 2 is a top plan view thereof;

(58) **Field of Classification Search** D14/204,
D14/210–216, 172, 168; 181/143–144, 147–148,
181/150–153, 157, 198–199; 381/300–303,
381/306, 332–333, 336, 345, 361–364, 386–388;
D13/147, 151

FIG. 3 is a rear elevational view thereof;

FIG. 4 is a front elevational view thereof; and,

See application file for complete search history.

FIG. 5 is a side elevational view of one side thereof, the opposite side elevational view being a mirror image.

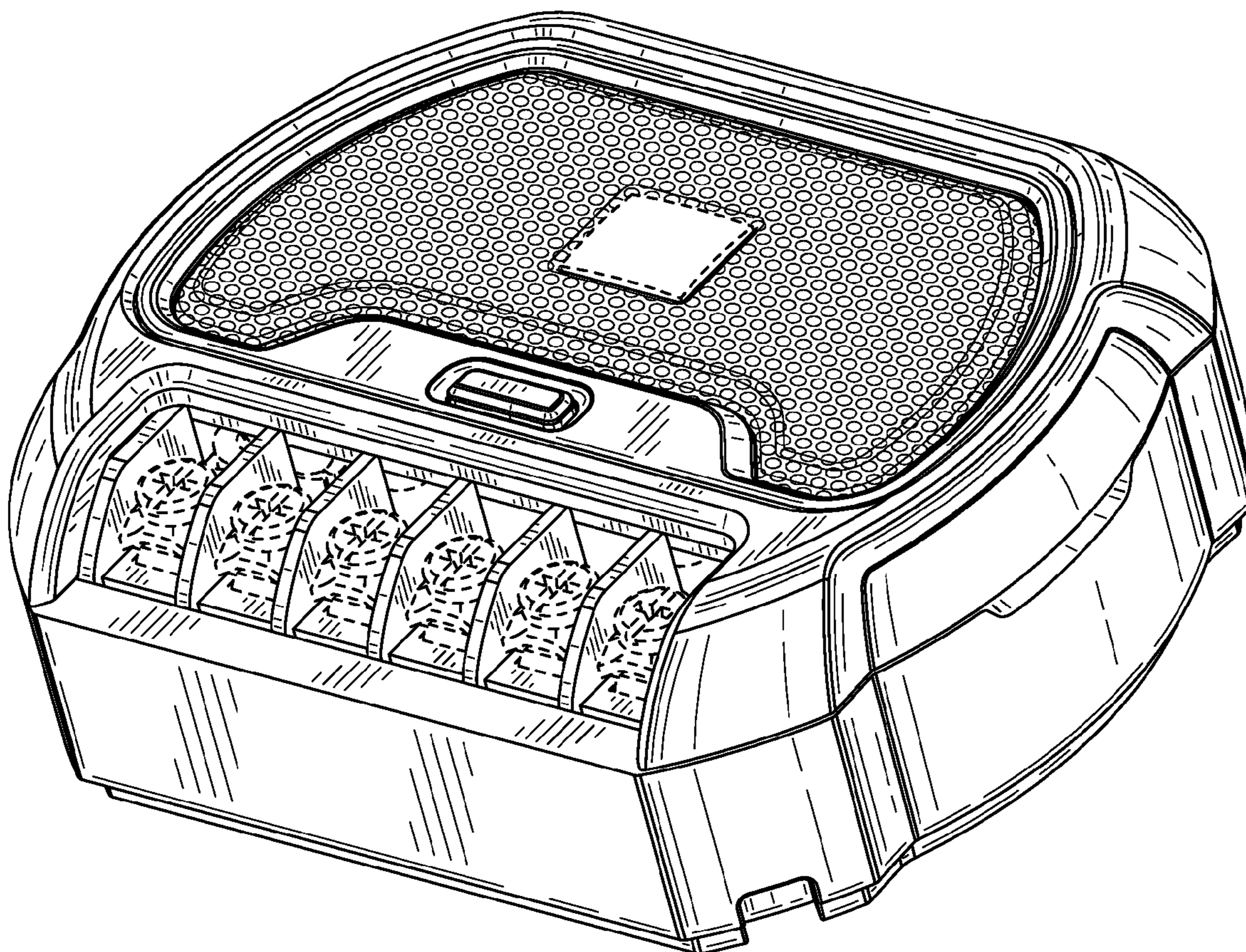
The broken line showings of the binding posts and the rectangle in the mesh area are for illustrative purposes only and form no part of the claimed design.

(56) **References Cited**

U.S. PATENT DOCUMENTS

D292,091 S * 9/1987 Keitoku D14/215

1 Claim, 4 Drawing Sheets



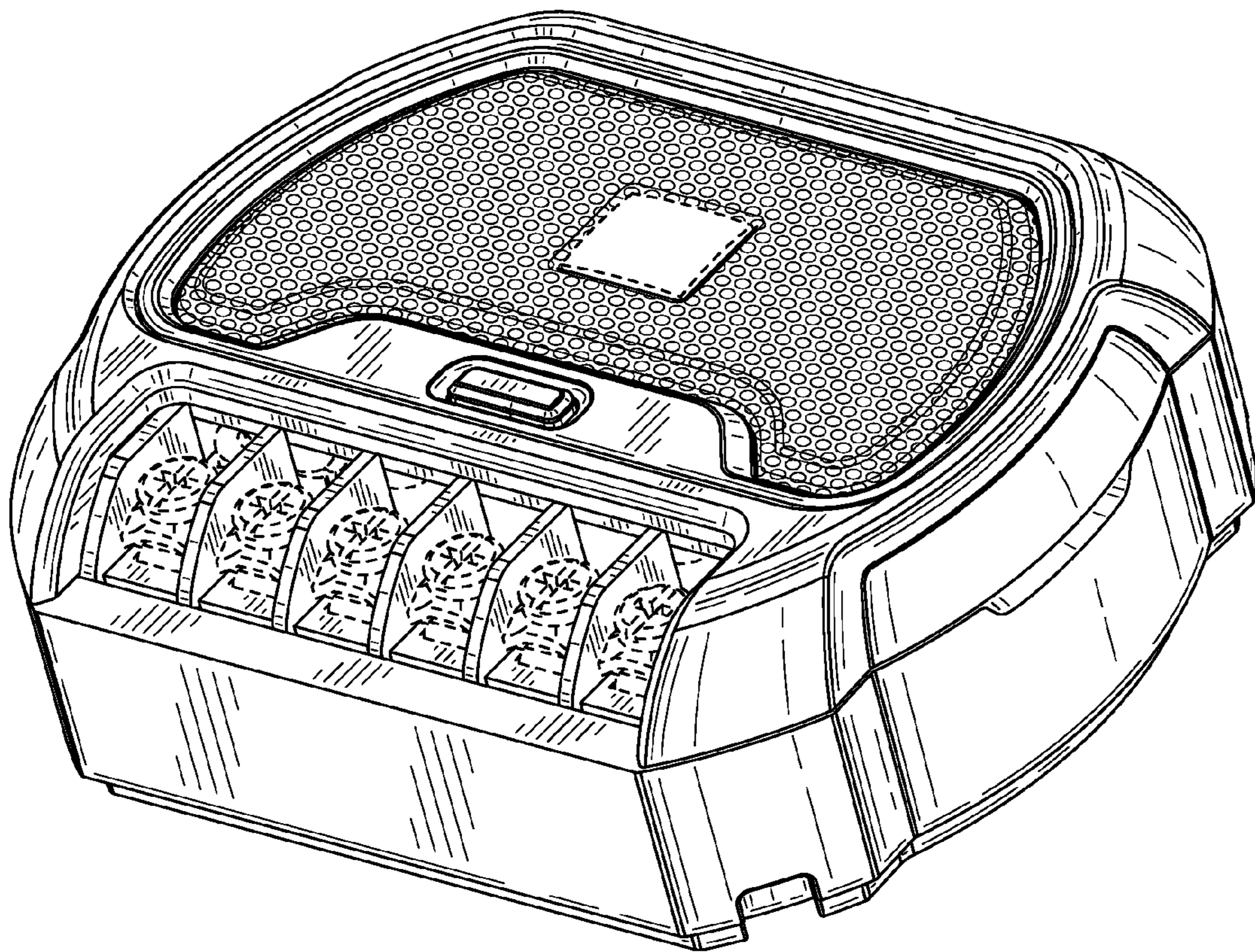


FIG. 1

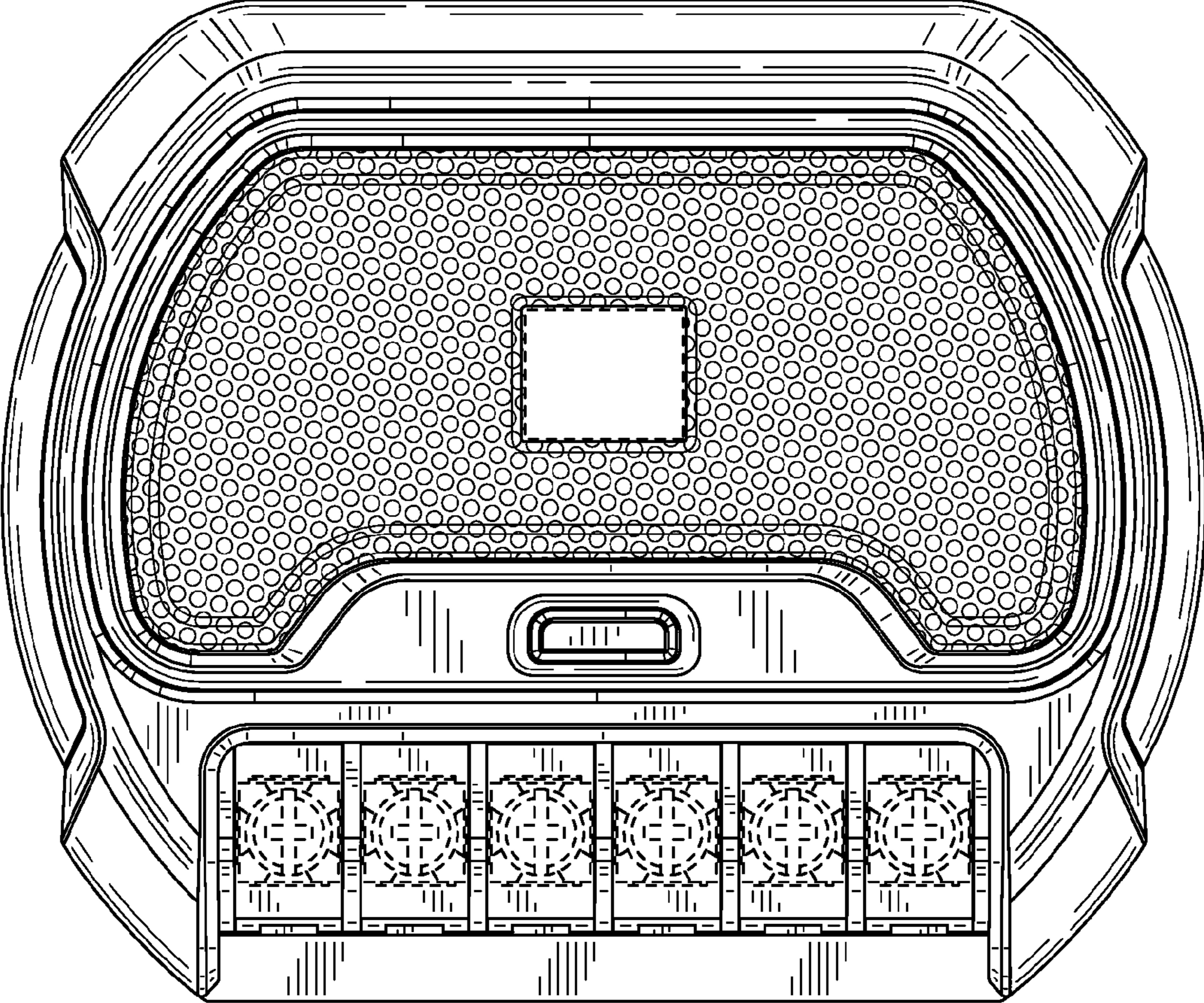


FIG. 2

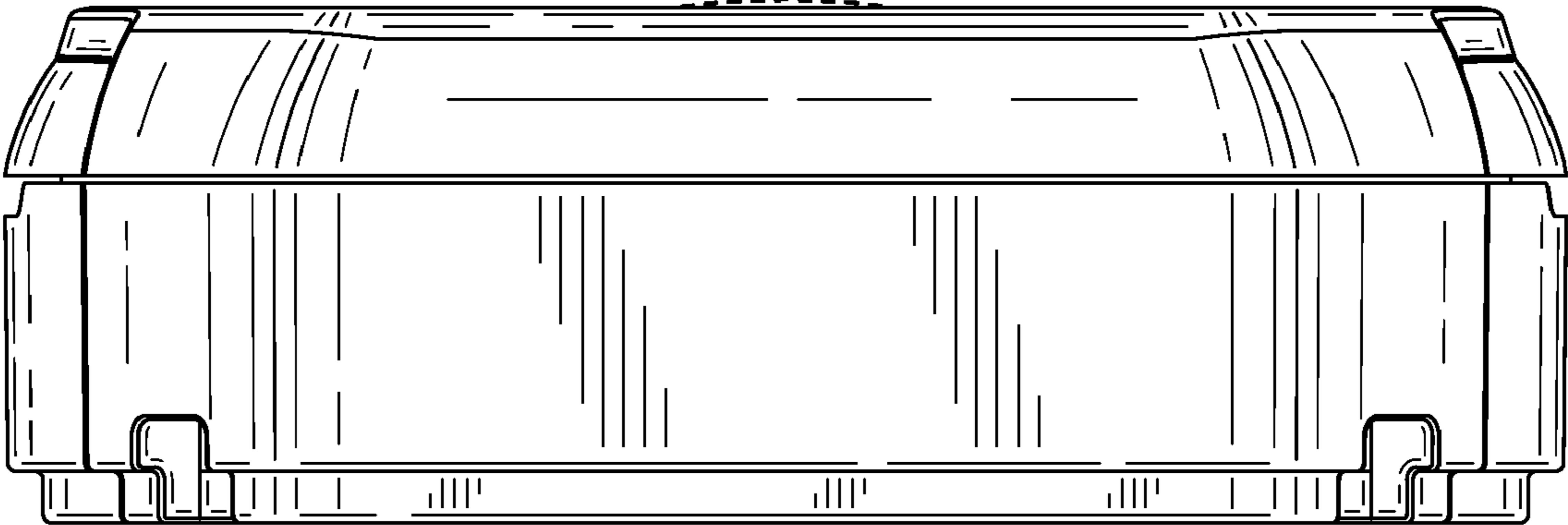


FIG. 3

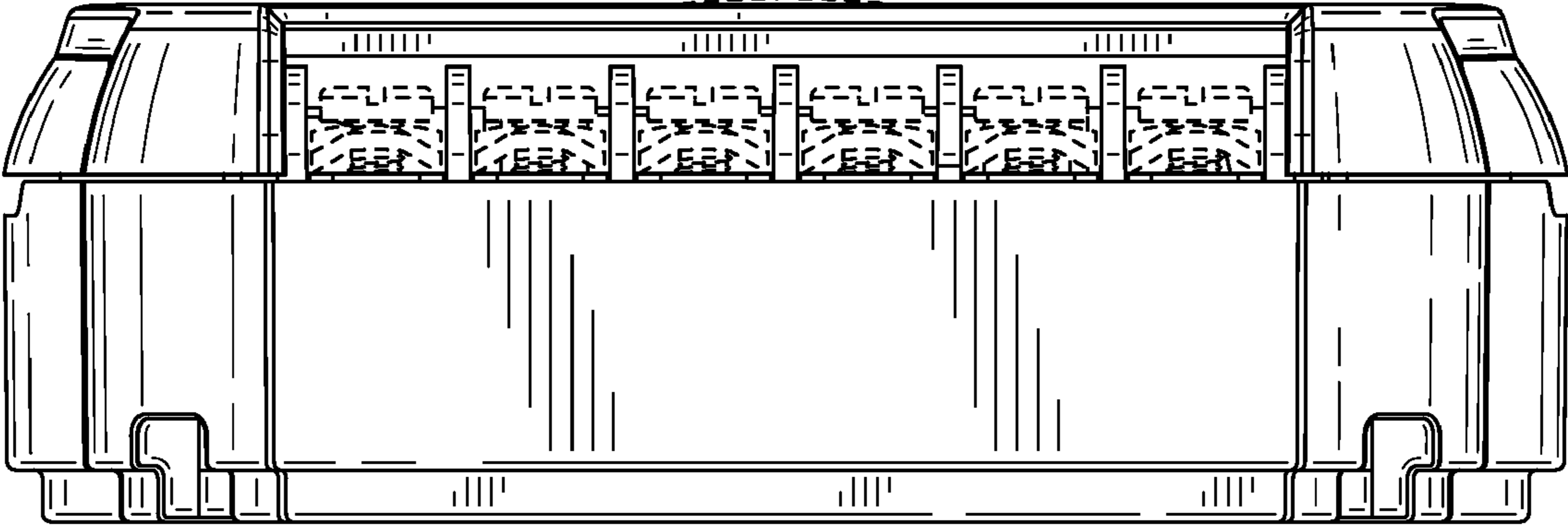


FIG. 4

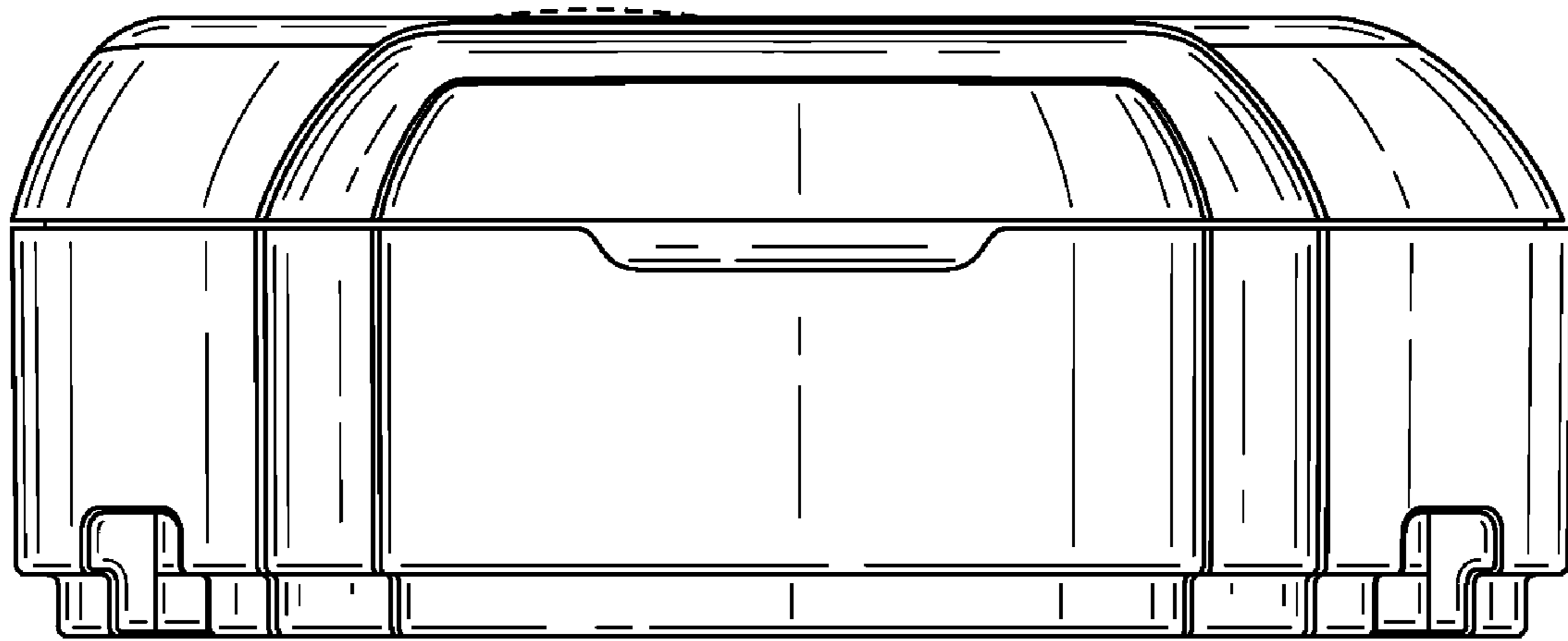


FIG. 5