



US00D584703S

(12) **United States Design Patent**
Kimura et al.

(10) **Patent No.:** **US D584,703 S**
(45) **Date of Patent:** **** Jan. 13, 2009**

(54) **TELEVISION RECEIVER**

(75) Inventors: **Shigetaka Kimura**, Kokubunji (JP);
Takashi Yamamoto, Kodaira (JP);
Takumi Matsuda, Musashino (JP);
Machiko Shimizu, Mitaka (JP); **Minoru Ikeda**, Inagi (JP); **Masahiro Yamamoto**,
Yokohama (JP); **Seiichi Sekiguchi**,
Fujisawa (JP)

D546,788 S * 7/2007 Isshiki D14/126
D563,916 S * 3/2008 Shimizu et al. D14/126
D566,068 S * 4/2008 Shimizu et al. D14/126
D566,669 S * 4/2008 Ooshima et al. D14/126
D567,201 S * 4/2008 Profit D14/126
D567,202 S * 4/2008 Rieu Piquet D14/126
D572,682 S * 7/2008 Won et al. D14/126
D572,684 S * 7/2008 Suzuki et al. D14/126
D574,341 S * 8/2008 Kuramashi et al. D14/126

(73) Assignee: **Hitachi, Ltd.**, Tokyo (JP)

(**) Term: **14 Years**

(21) Appl. No.: **29/280,440**

(22) Filed: **May 29, 2007**

(30) **Foreign Application Priority Data**

Dec. 28, 2006 (JP) 2006-036074

(51) **LOC (9) Cl.** **14-03**

(52) **U.S. Cl.** **D14/126**

(58) **Field of Classification Search** D14/125-134,
D14/239, 371, 136, 374-377, 440, 450, 448,
D14/336, 342; 312/7.2; 348/836, 838, 180,
348/184, 325, 739; 341/12; 248/917-924,
248/465; 345/104, 133, 156, 168, 87, 173;
720/605, 669, 600, 655; 369/99, 197; 455/344,
455/347; D21/329, 515, 577, 622, 333, 433,
D21/448, 452, 450, 331; D6/477, 479; 273/148 B;
446/484, 175, 356; D10/15, 26
See application file for complete search history.

(56) **References Cited**

U.S. PATENT DOCUMENTS

D499,386 S * 12/2004 Yang D14/126

* cited by examiner

Primary Examiner—Raphael Barkai

(74) *Attorney, Agent, or Firm*—Antonelli, Terry, Stout & Kraus, LLP.

(57) **CLAIM**

We claim the ornamental design for television receiver, as shown.

DESCRIPTION

FIG. 1 is a front, top and right side perspective view of television receiver showing our new design;

FIG. 2 is a front elevational view thereof;

FIG. 3 is a rear elevational view thereof;

FIG. 4 is a left side elevational view thereof;

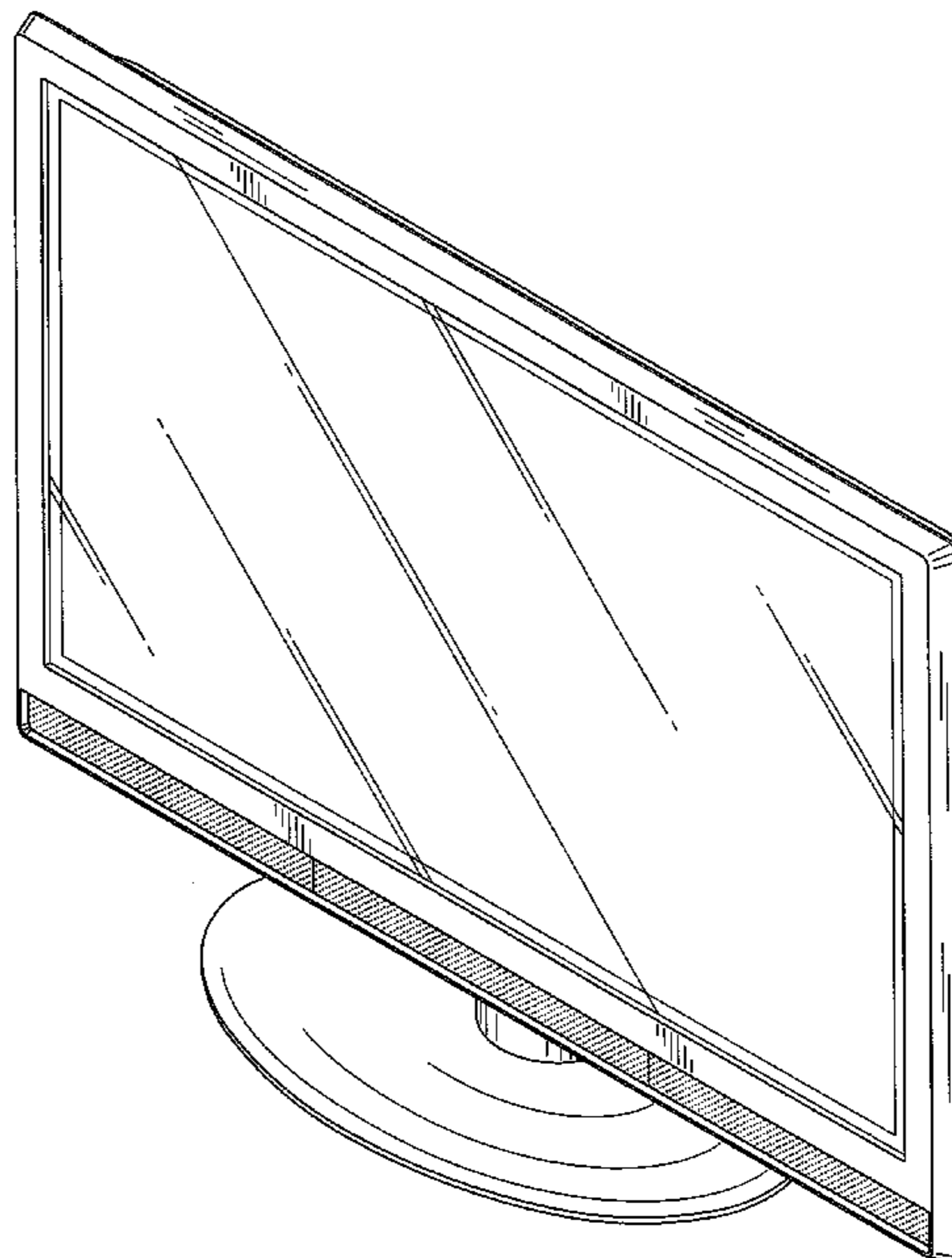
FIG. 5 is a right side elevational view thereof;

FIG. 6 is a top plan view thereof;

FIG. 7 is a bottom plan view thereof; and,

FIG. 8 is a front elevational view showing the condition with the cover open thereof.

1 Claim, 7 Drawing Sheets



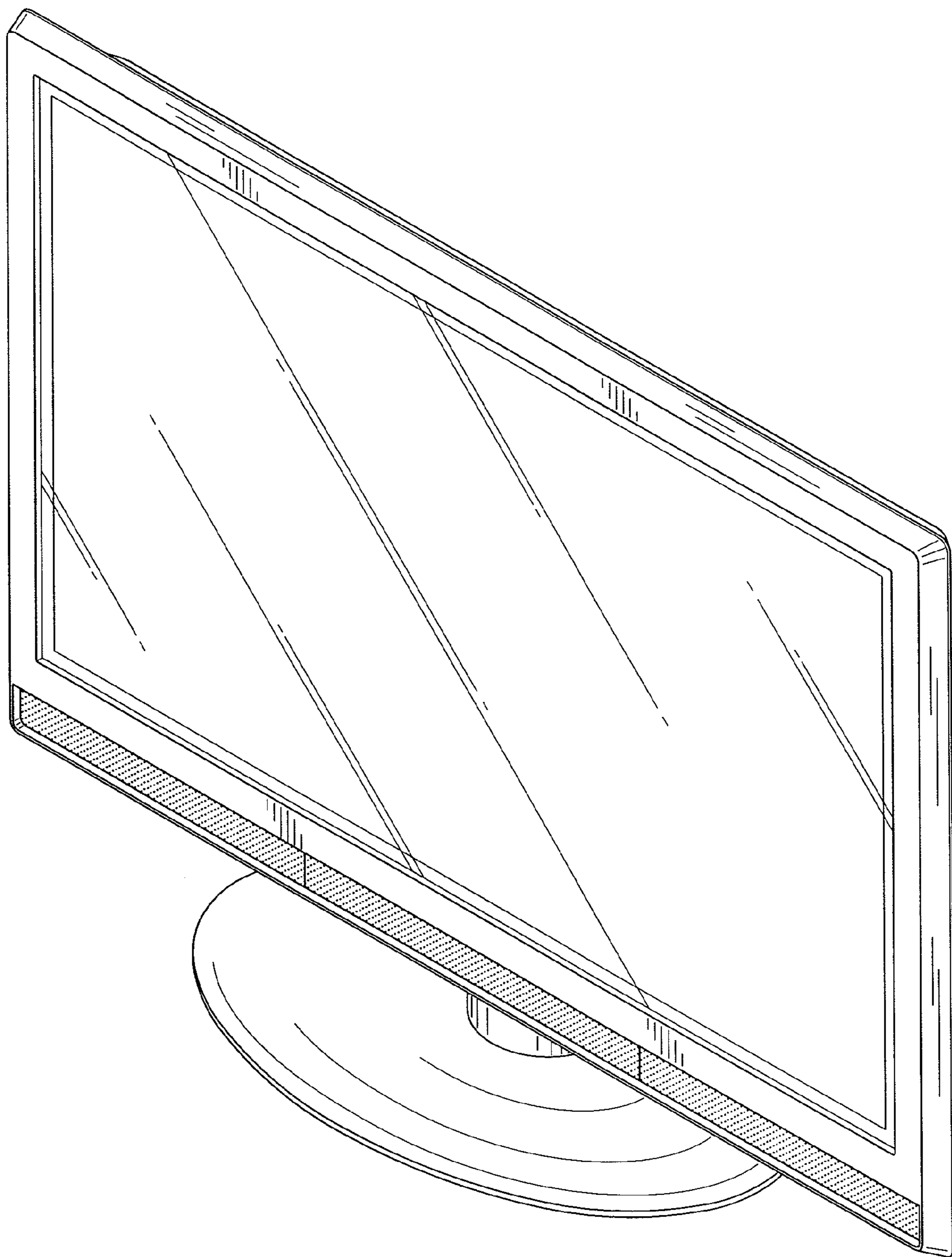


FIG. 1

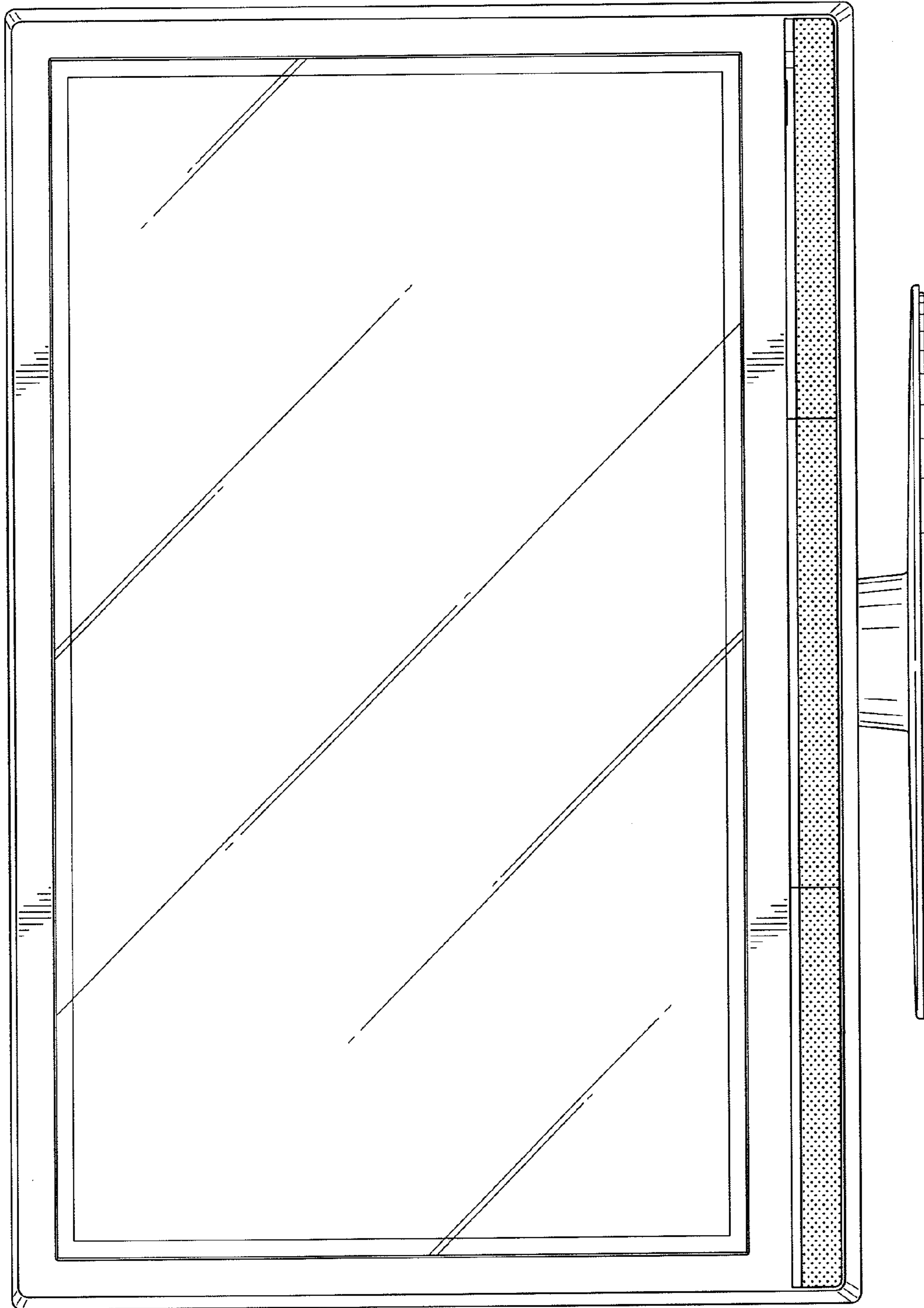


FIG. 2

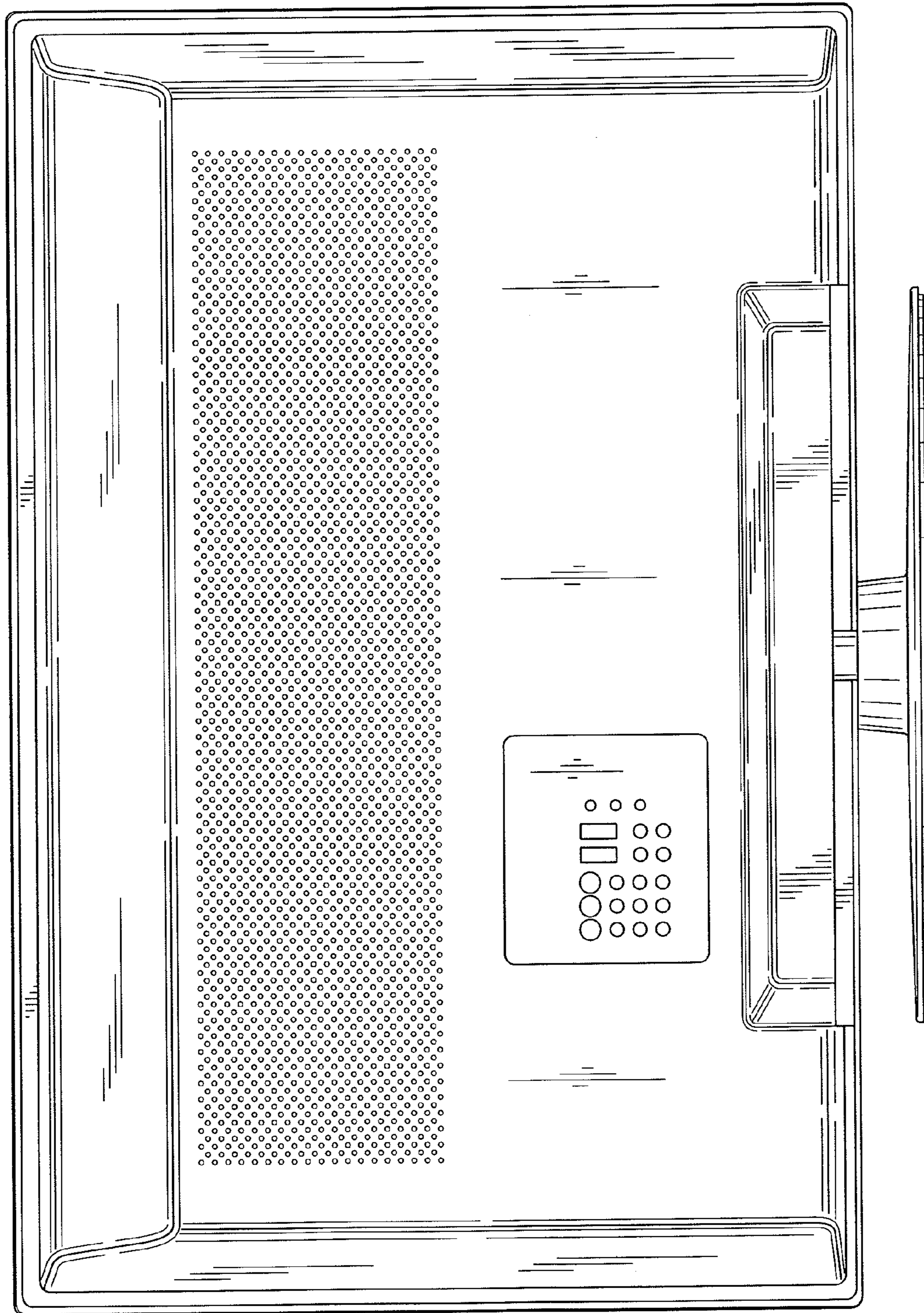


FIG. 3

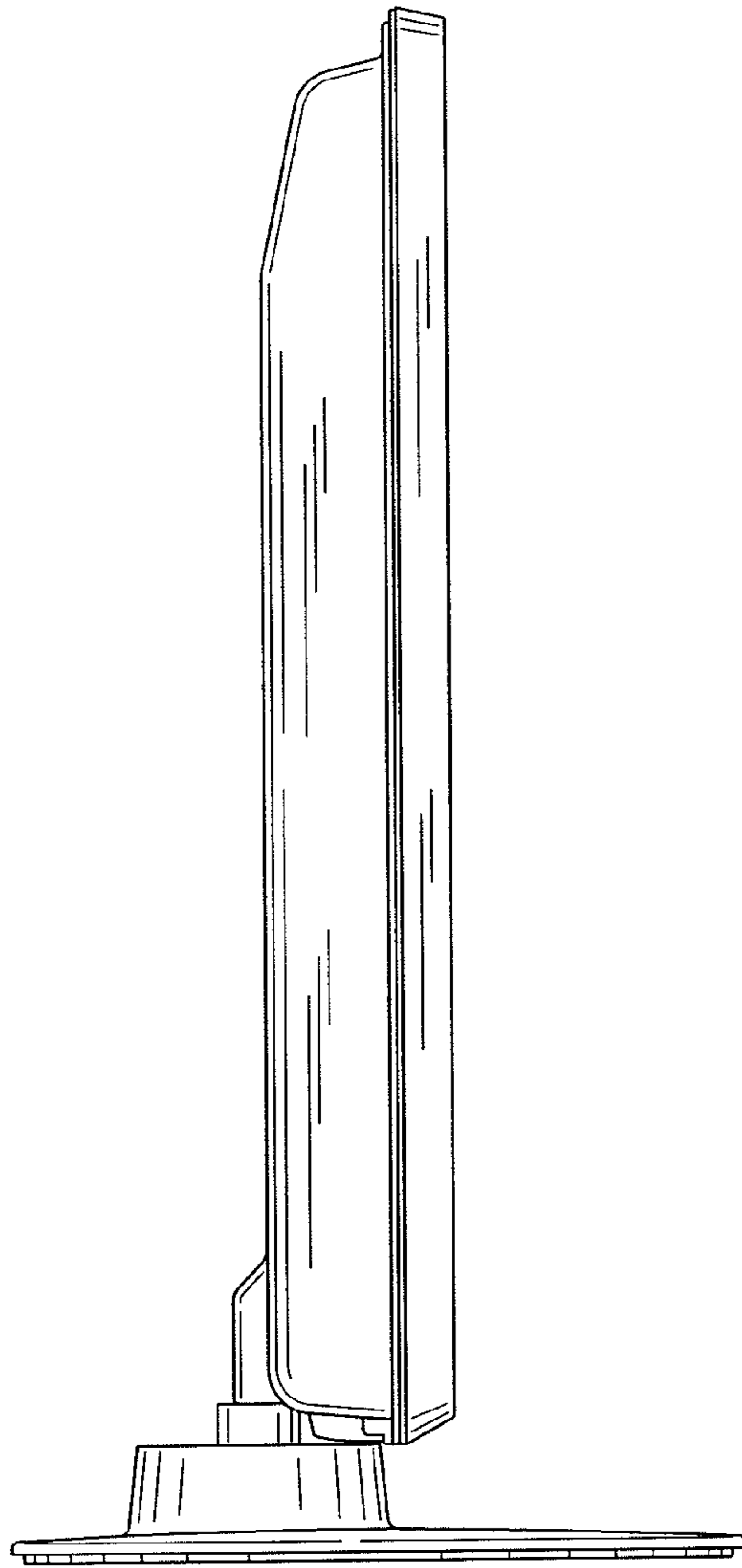


FIG. 4

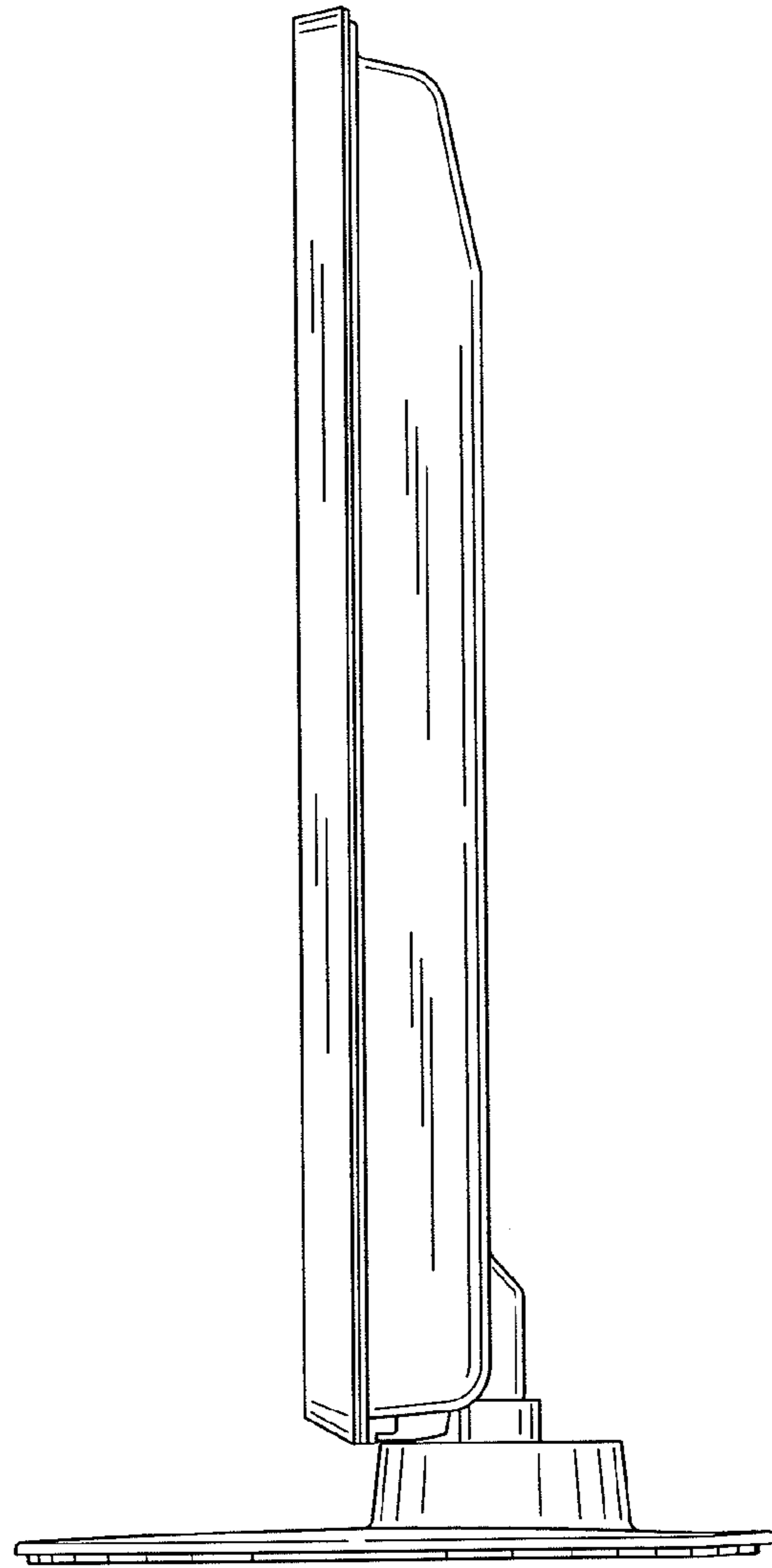


FIG. 5

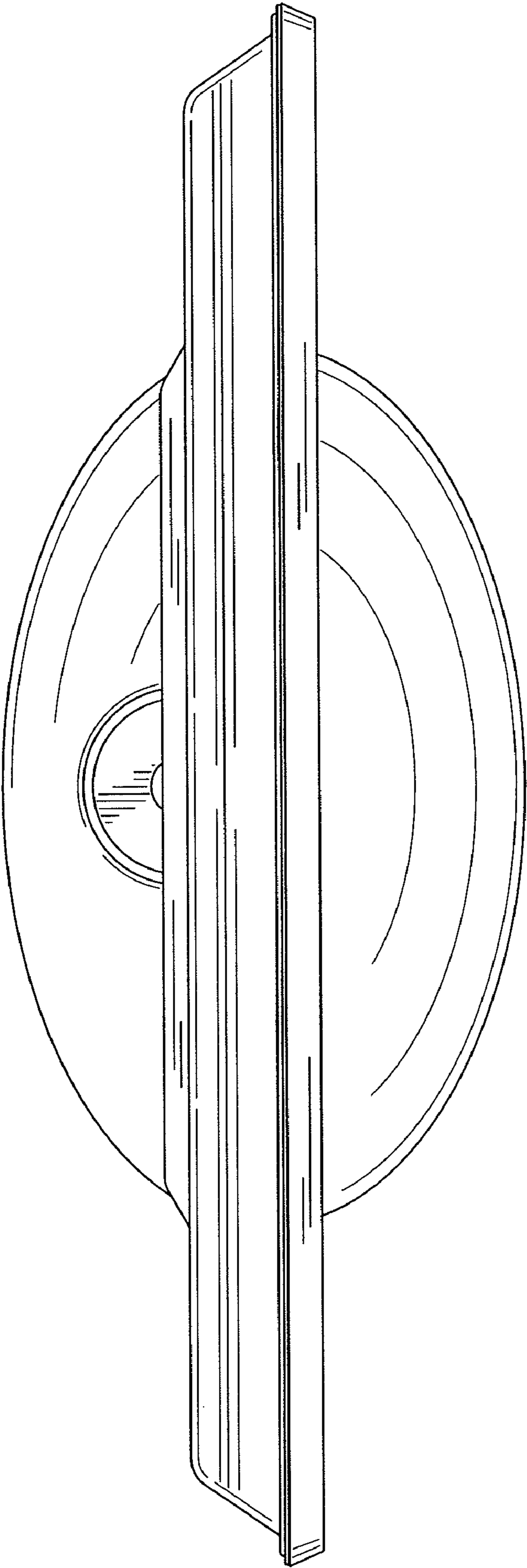


FIG. 6

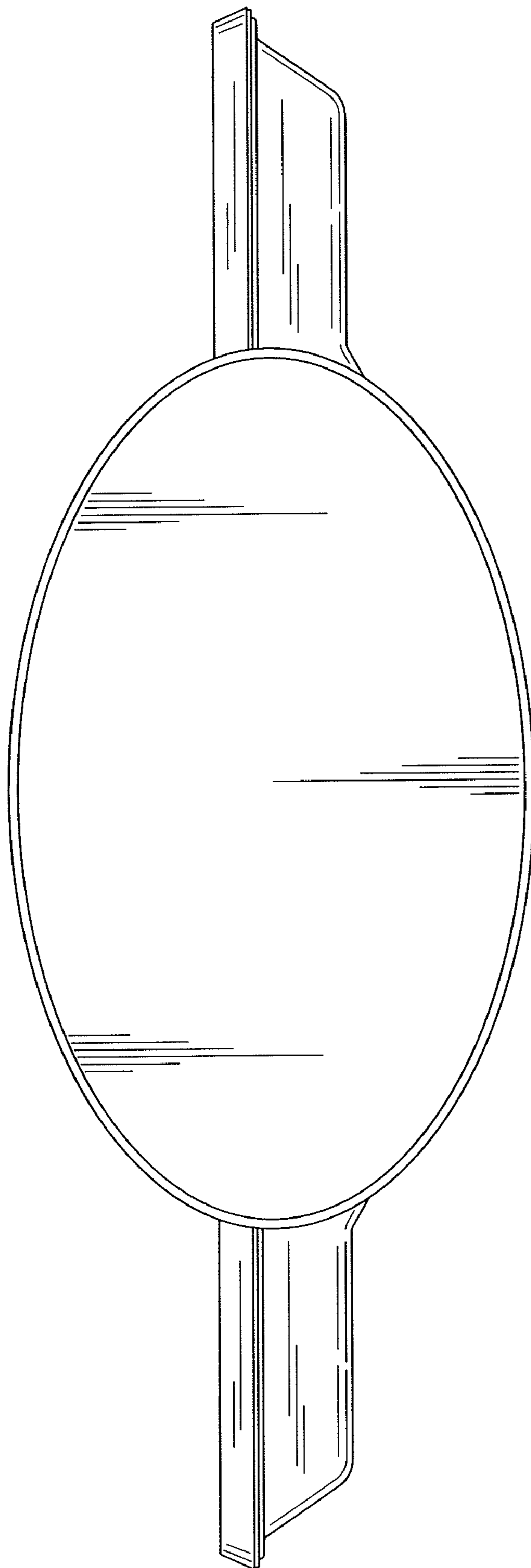


FIG. 7

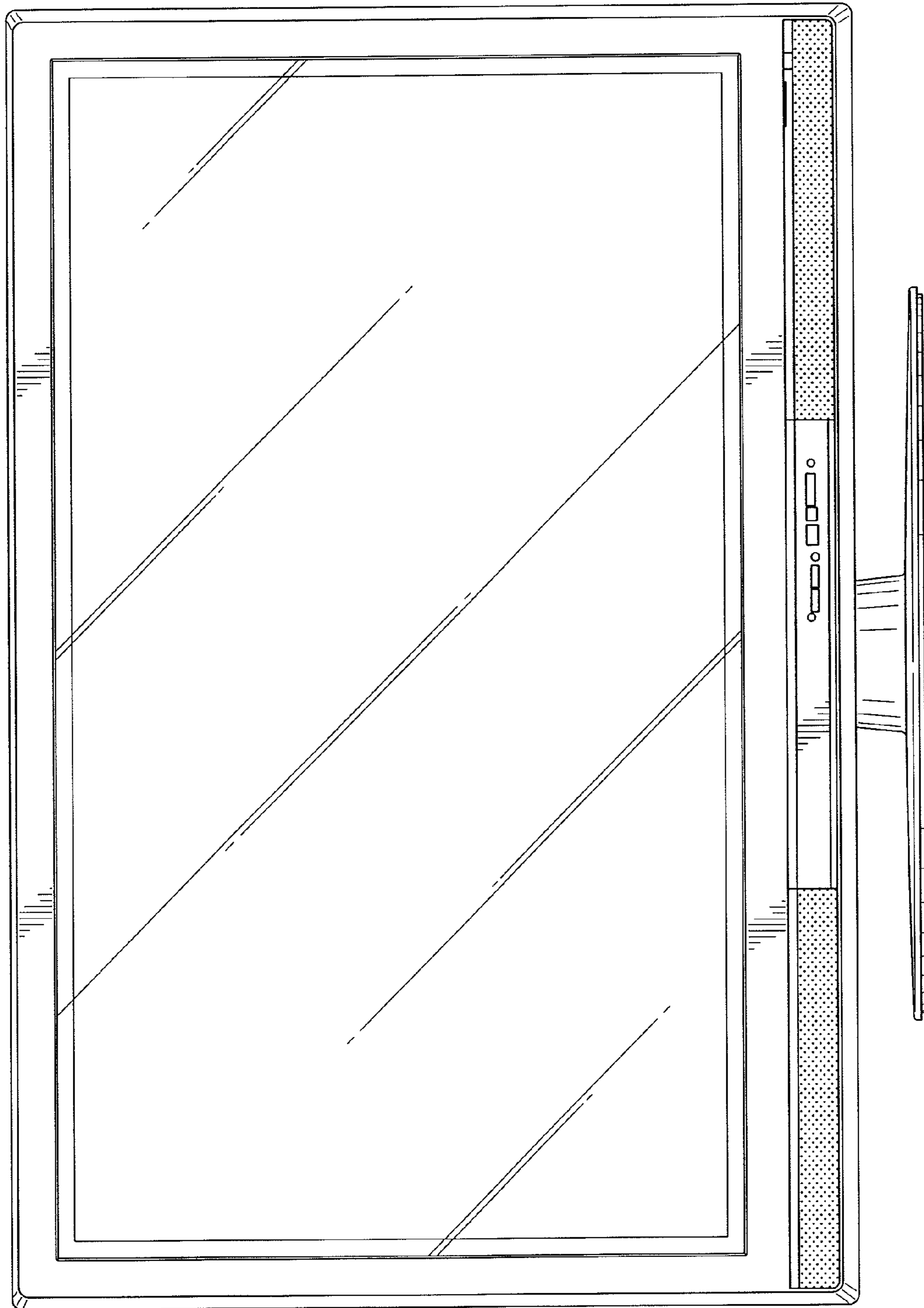


FIG. 8