



US00D584701S

(12) **United States Design Patent**
Kim et al.

(10) **Patent No.:** **US D584,701 S**
(45) **Date of Patent:** **** Jan. 13, 2009**

(54) **SET TOP BOX**

(75) Inventors: **Dae-Joung Kim**, Seoul (KR);
Kyung-Hoon Lee, Seoul (KR); **Bum-Ho Chun**, Seoul (KR)

(73) Assignee: **Samsung Electronics Co., Ltd.**,
Kyunggi-do (KR)

(**) Term: **14 Years**

(21) Appl. No.: **29/310,034**

(22) Filed: **Jul. 23, 2008**

(51) **LOC (9) Cl.** **14-03**

(52) **U.S. Cl.** **D14/125**

(58) **Field of Classification Search** D14/125-134,
D14/239, 371, 136, 374-377, 137, 188, 168,
D14/169, 265, 496; 312/7.2; 348/836, 838,
348/180, 184, 325, 739; 341/12, 176, 173;
248/917-924, 465, 123.11; 345/104, 133,
345/156, 168, 87, 173, 169, 905; 349/1,
349/2, 11, 62; 720/605, 669, 600, 655, 99,
720/197; 455/344-347, 3.01-3.06, 346,
455/151.1, 151.2; 340/825.25

See application file for complete search history.

(56) **References Cited**

U.S. PATENT DOCUMENTS

D403,668 S * 1/1999 Parent D14/356
D517,031 S * 3/2006 Wu D14/136
D529,879 S 10/2006 Park et al.
D530,691 S * 10/2006 Moriya et al. D14/136
D531,153 S * 10/2006 Lim et al. D14/136
D533,157 S 12/2006 Park
D541,811 S 5/2007 Park
D542,241 S * 5/2007 Ryu D14/125
D544,455 S 6/2007 Park et al.
D545,774 S 7/2007 Woo et al.
D551,183 S 9/2007 Park et al.
D560,176 S 1/2008 Woo
D560,177 S 1/2008 Chun et al.

D560,689 S 1/2008 Cho
D567,193 S 4/2008 Kang et al.
D567,203 S * 4/2008 Park D14/136
D571,754 S 6/2008 Cho et al.
D574,793 S 8/2008 Kim et al.

OTHER PUBLICATIONS

U.S. Appl. No. 29/310,033, Applicant: Dae-Joung Kim, et al., filed Jul. 23, 2008 entitled Set Top Box.
U.S. Appl. No. 29/310,071, Applicant: So-Yoon Jeon, filed Jul. 24, 2008 entitled Set Top Box.
U.S. Appl. No. 29/308,616, Applicant: Bum-Ho Chun, filed Jun. 26, 2008 entitled Set Top Box.
U.S. Appl. No. 29/308,619, Applicant: Bum-Ho Chun, et al., filed Jun. 26, 2008 entitled Set Top Box.
U.S. Appl. No. 29/308,614, Applicant: Sang-Sung Woo, et al., filed Jun. 26, 2008 entitled Set Top Box.
U.S. Appl. No. 29/308,615, Applicant: Dae-Joung Kim, et al., filed Jun. 26, 2008.

* cited by examiner

Primary Examiner—Philip S Hyder
Assistant Examiner—Randall H Gholson
(74) *Attorney, Agent, or Firm*—Flynn, Thiel, Boutell & Tanis, P.C.

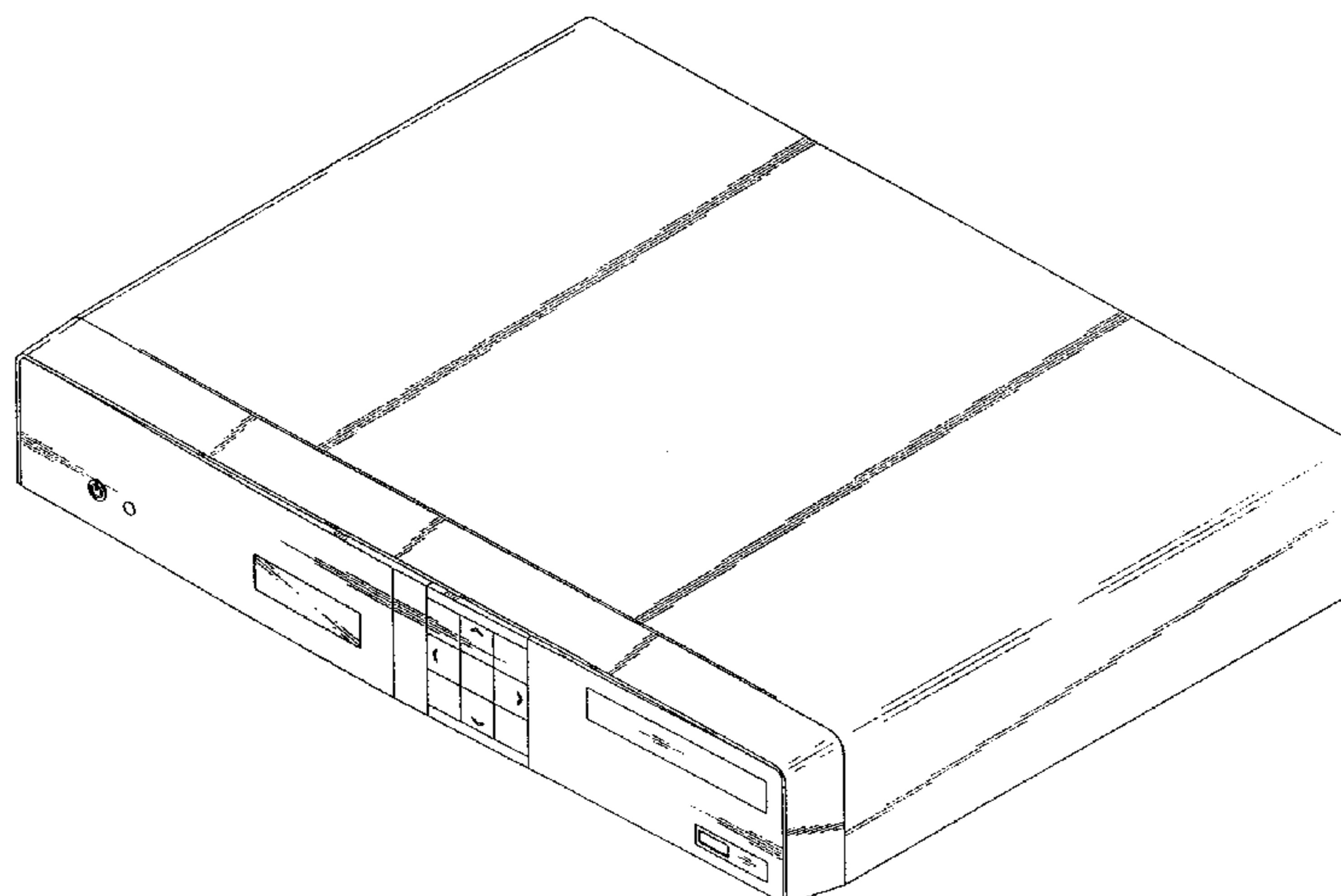
(57) **CLAIM**

The ornamental design for a set top box, as shown and described.

DESCRIPTION

FIG. 1 is a top front perspective view of a set top box showing our new design;
FIG. 2 is a front elevational view thereof;
FIG. 3 is a rear elevational view thereof;
FIG. 4 is a left side elevational view thereof;
FIG. 5 is a right side elevational view thereof;
FIG. 6 is a top plan view thereof; and,
FIG. 7 is a bottom plan view thereof.

1 Claim, 5 Drawing Sheets



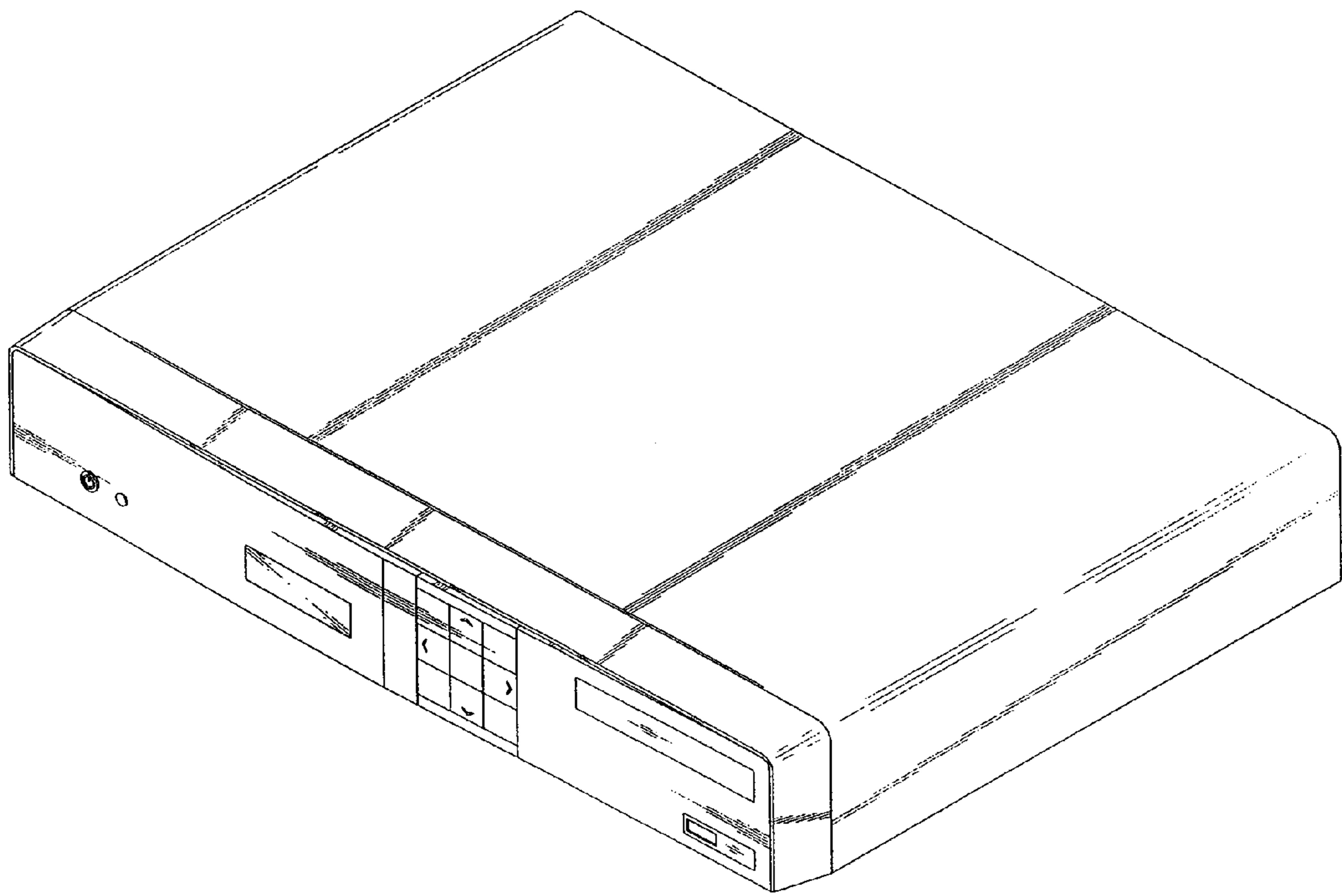


FIG. 1

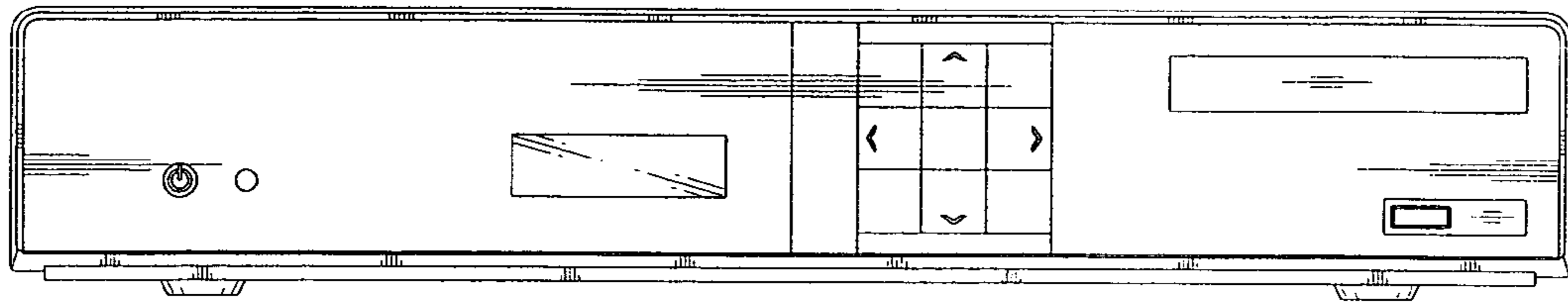


FIG. 2

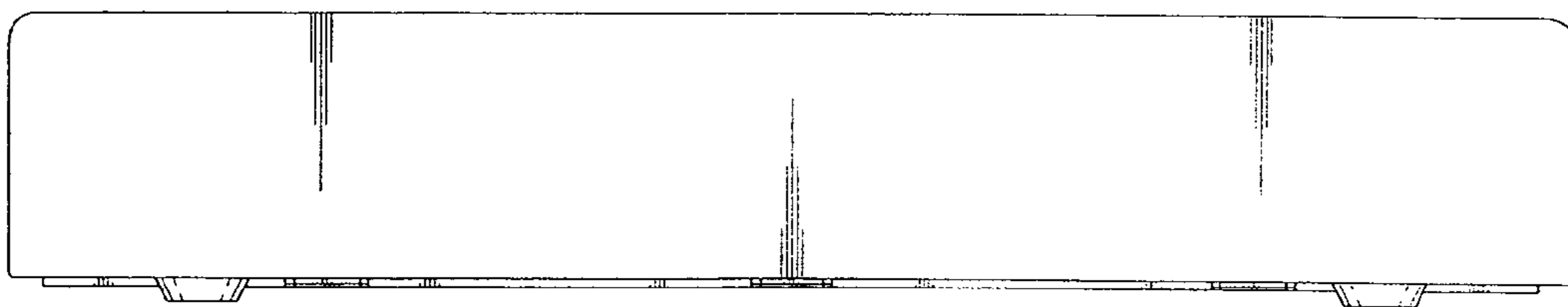


FIG. 3

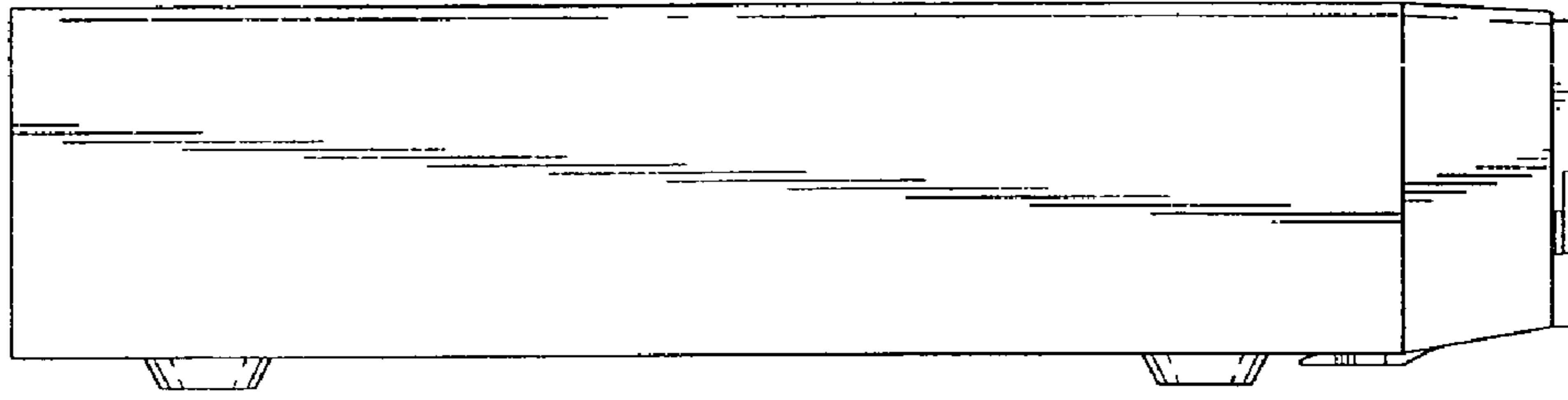


FIG. 4

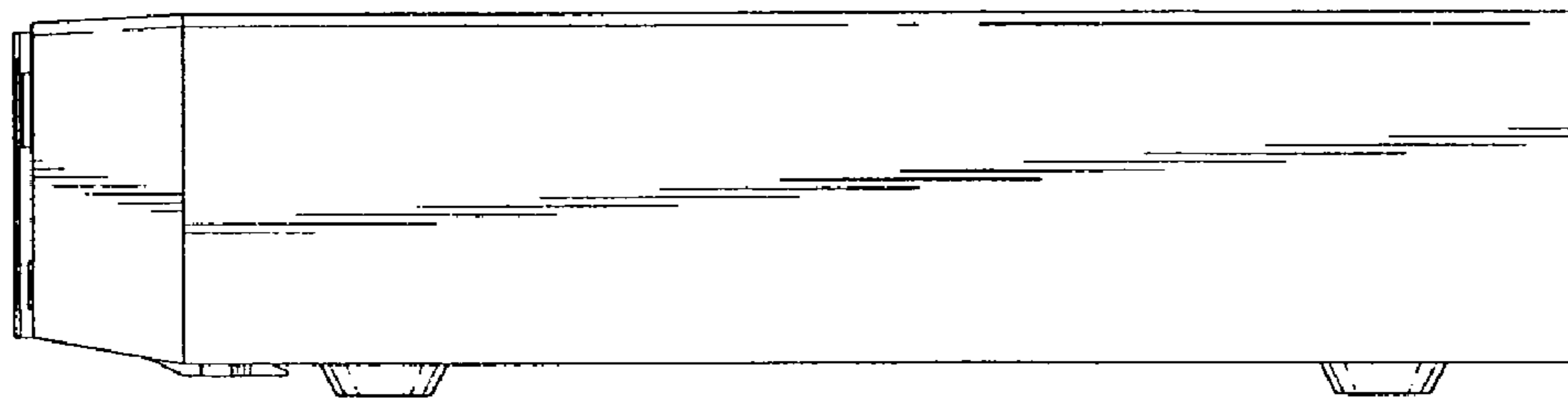


FIG. 5

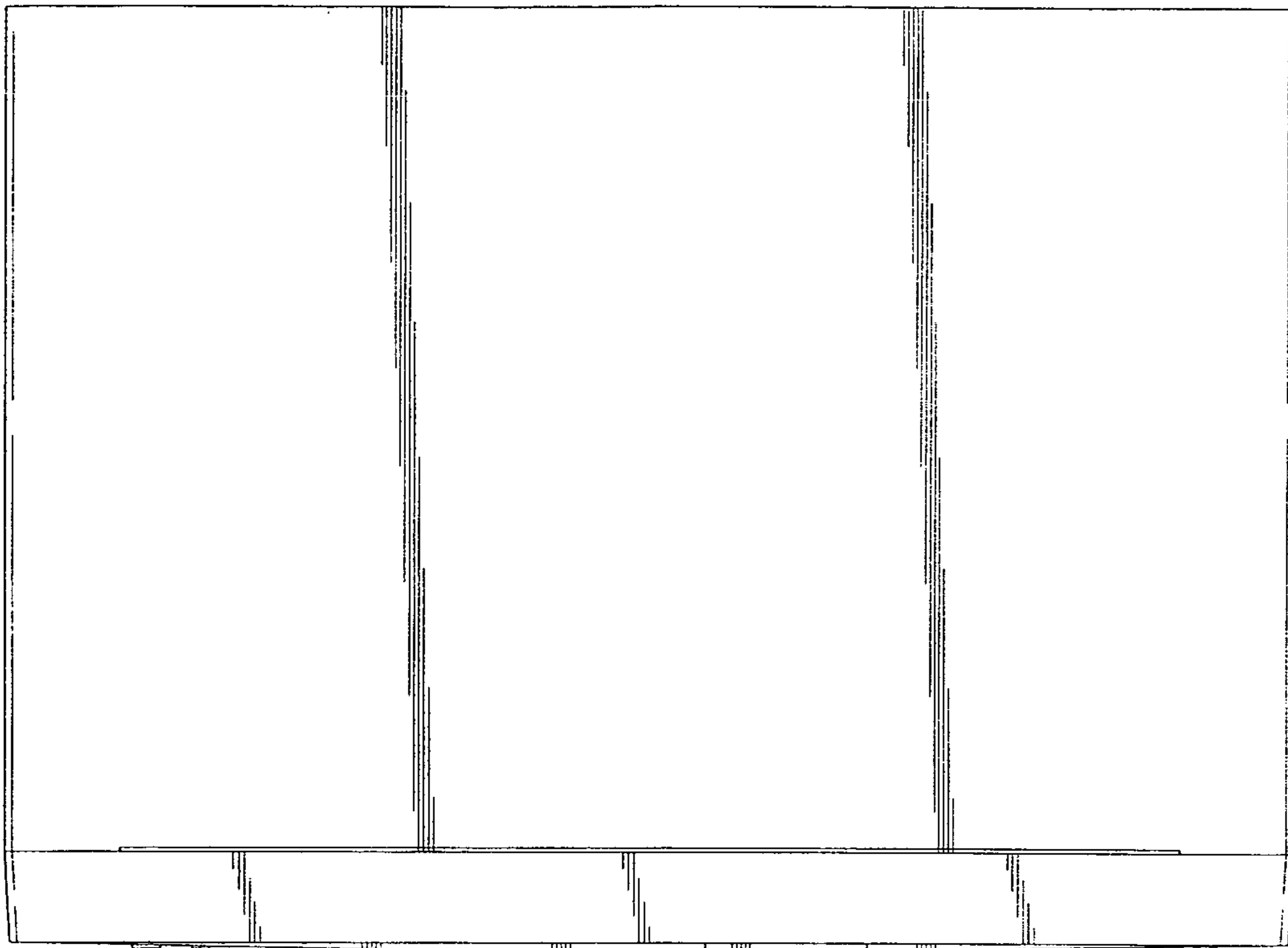


FIG. 6

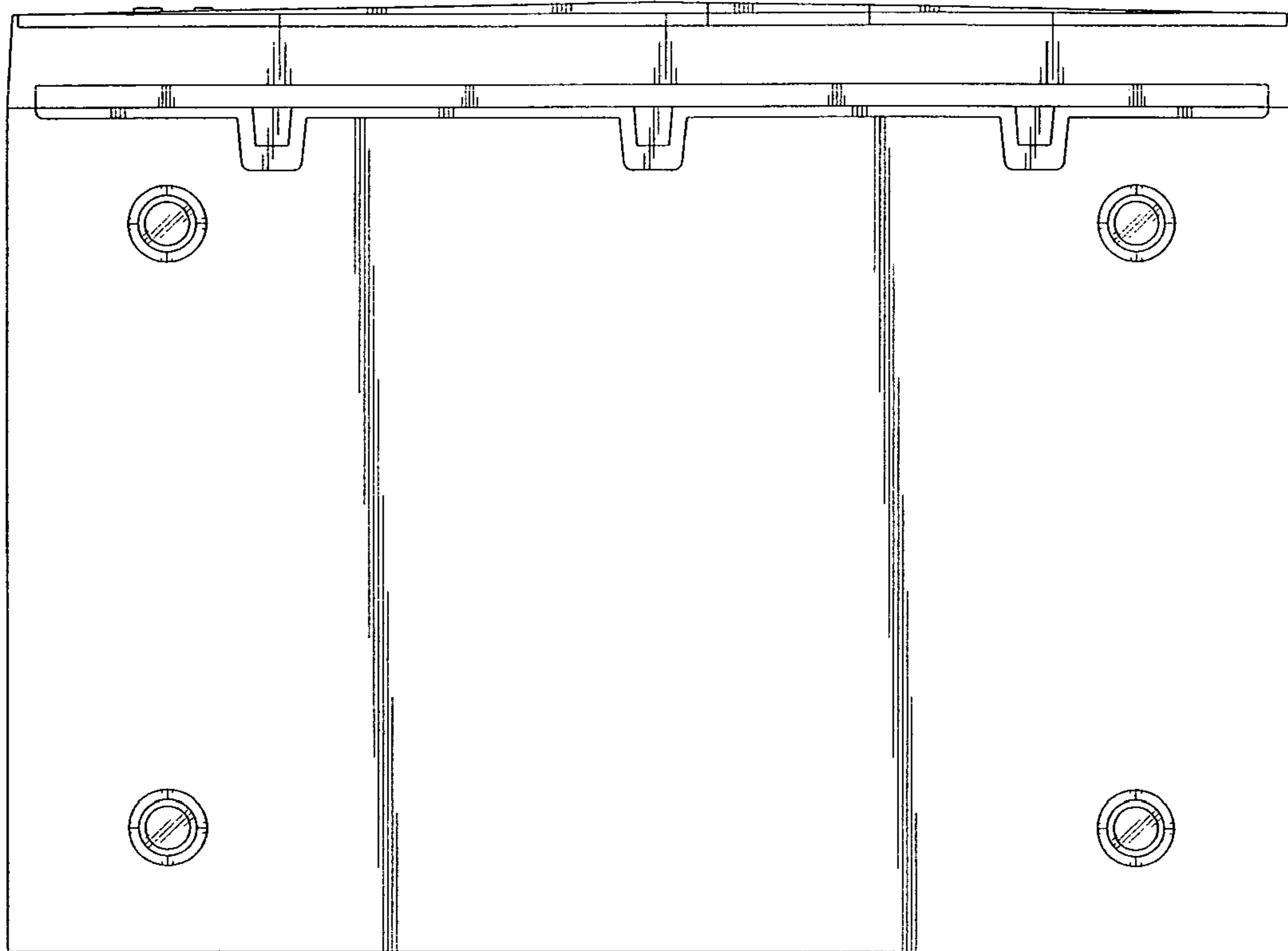


FIG. 7