



US00D584698S

(12) **United States Design Patent**
Ko et al.

(10) **Patent No.:** **US D584,698 S**
(45) **Date of Patent:** **** Jan. 13, 2009**

(54) **FAN**
(75) Inventors: **Hao-Wen Ko**, Taoyuan Hsien (TW);
Shih-Hua Ho, Taoyuan Hsien (TW);
Wen-Shi Huang, Taoyuan Hsien (TW)

(73) Assignee: **Delta Electronics Inc.**, Taoyuan Hsien (TW)

(**) Term: **14 Years**

(21) Appl. No.: **29/262,370**

(22) Filed: **Jul. 3, 2006**

(51) **LOC (9) Cl.** **13-03**

(52) **U.S. Cl.** **D13/179**

(58) **Field of Classification Search** D13/179;
165/80.3, 104.33, 151, 122, 185; 257/706,
257/707, 718-722; 361/687, 695, 697, 700,
361/702, 704, 709, 710, 711, 719; D23/370
See application file for complete search history.

(56) **References Cited**

U.S. PATENT DOCUMENTS

494,548	A	4/1893	Bunn	
509,485	A	11/1893	Parker	
6,407,919	B1 *	6/2002	Chou	361/697
6,525,938	B1 *	2/2003	Chen	361/695
D492,654	S *	7/2004	Lei et al.	D13/179
D494,548	S *	8/2004	Tsai et al.	D13/179
D501,450	S *	2/2005	Watanabe et al.	D13/179
7,221,567	B2 *	5/2007	Otsuki et al.	361/695
2002/0182068	A1 *	12/2002	Liu	415/176

2005/0141992	A1 *	6/2005	Lin	415/176
2005/0271506	A1 *	12/2005	Pan	415/176
2005/0280992	A1 *	12/2005	Carter et al.	361/697
2006/0219386	A1 *	10/2006	Hsia et al.	165/80.3

FOREIGN PATENT DOCUMENTS

TW D108000 5/2004

* cited by examiner

Primary Examiner—Selina Sikder

(74) *Attorney, Agent, or Firm*—Birch, Stewart, Kolasch & Birch, LLP

(57) **CLAIM**

The ornamental design for a fan, as shown and described.

DESCRIPTION

FIG. 1 is a perspective view of a fan;

FIG. 2 is a top plan view thereof;

FIG. 3 is a bottom plan view thereof;

FIG. 4 is a front elevational view thereof;

FIG. 5 is a rear elevational view thereof;

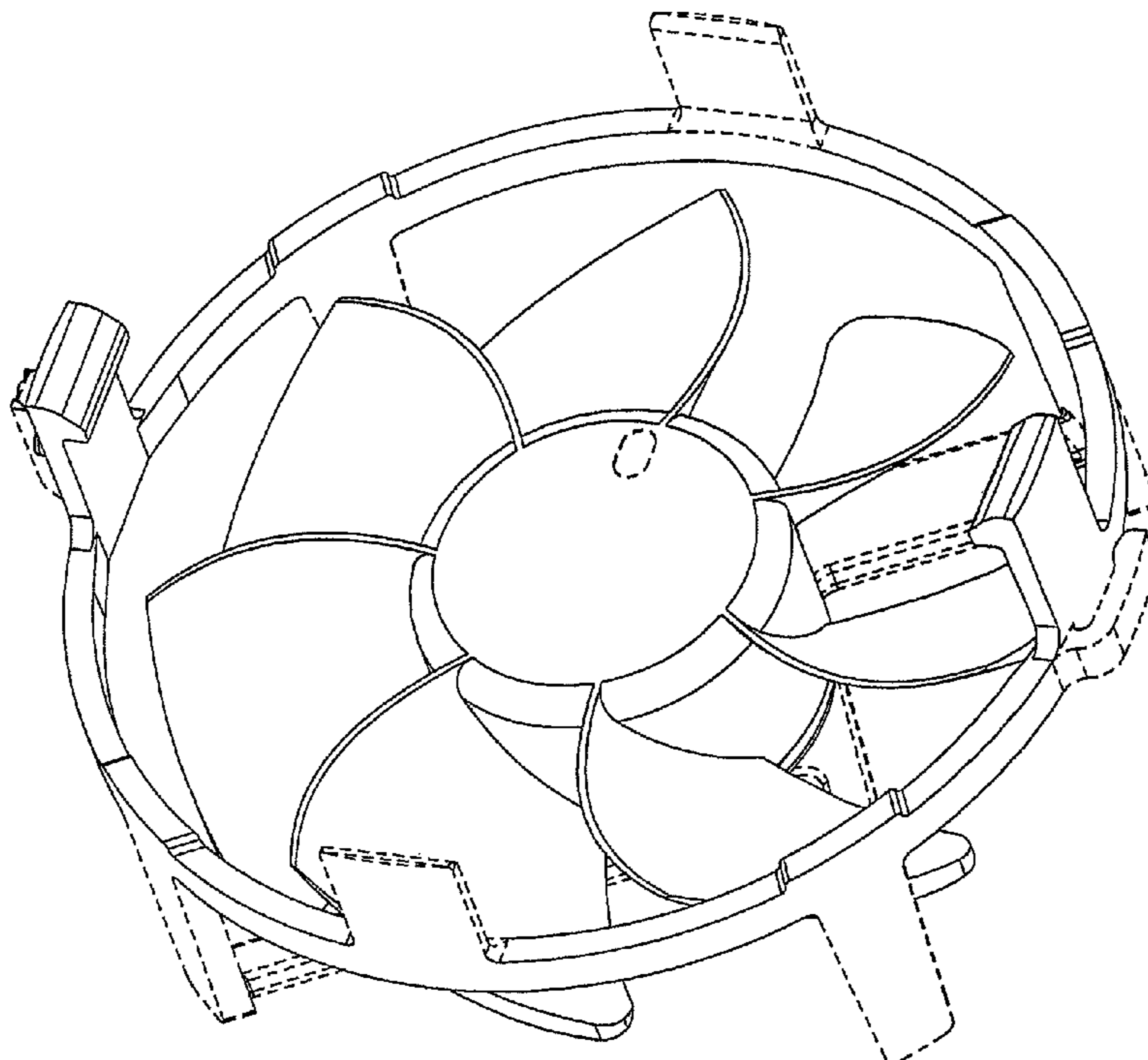
FIG. 6 is a right side elevational view thereof;

FIG. 7 is a left side elevational view thereof; and,

FIG. 8 is a bottom view thereof.

The portions of the drawings shown in broken lines are for environmental purposes and form no part of the claimed design.

1 Claim, 8 Drawing Sheets



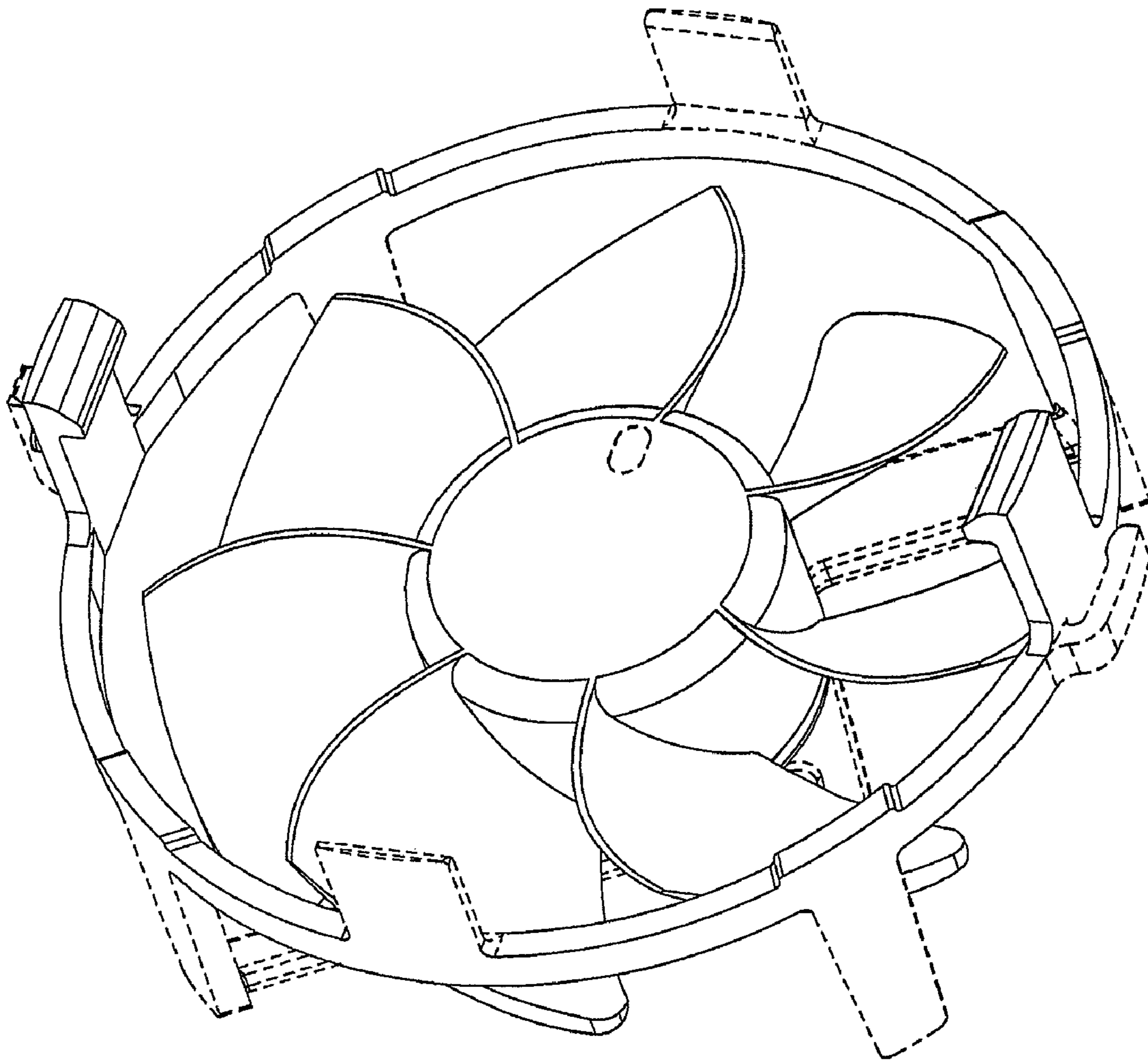


FIG. 1

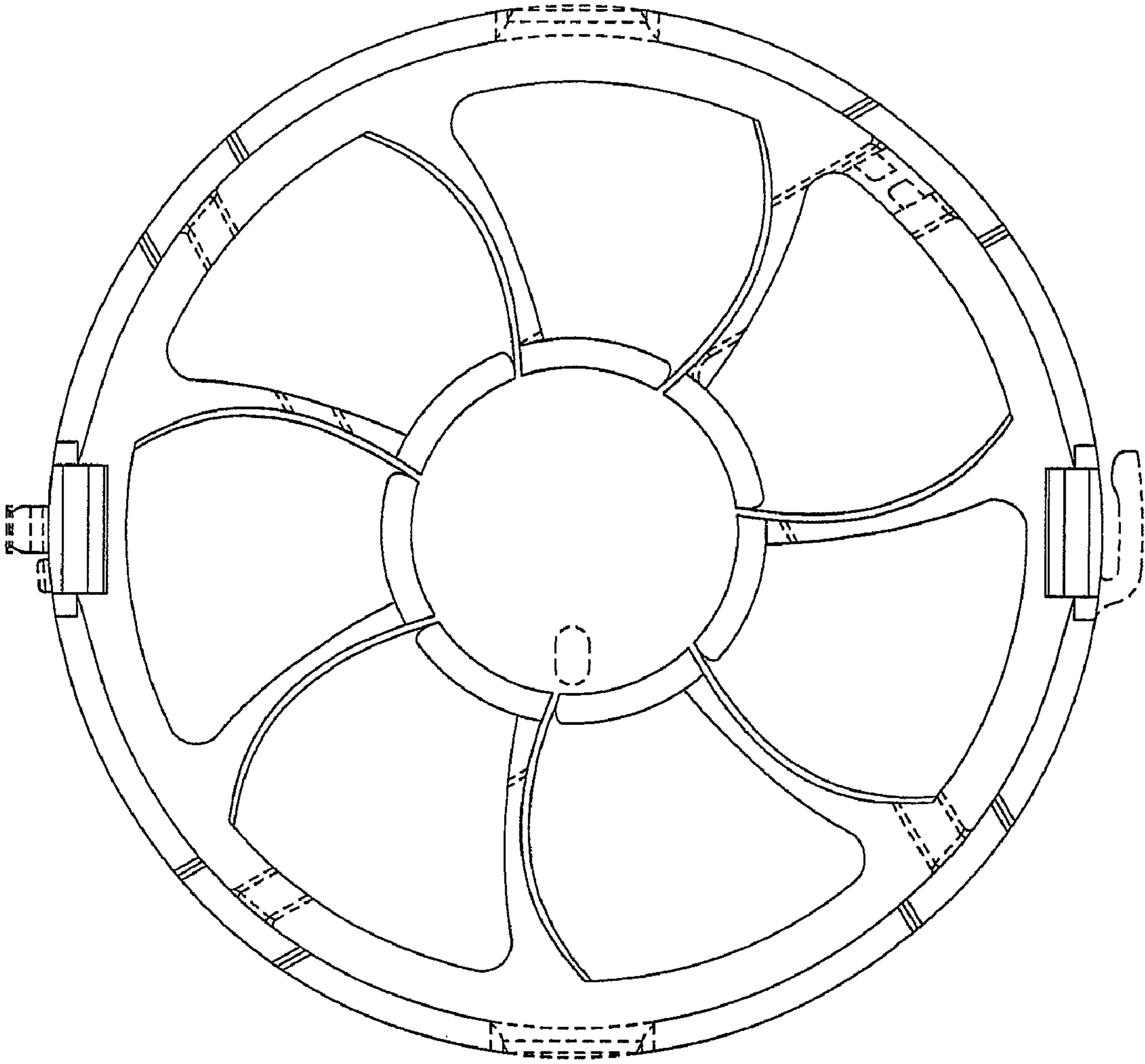


FIG. 2

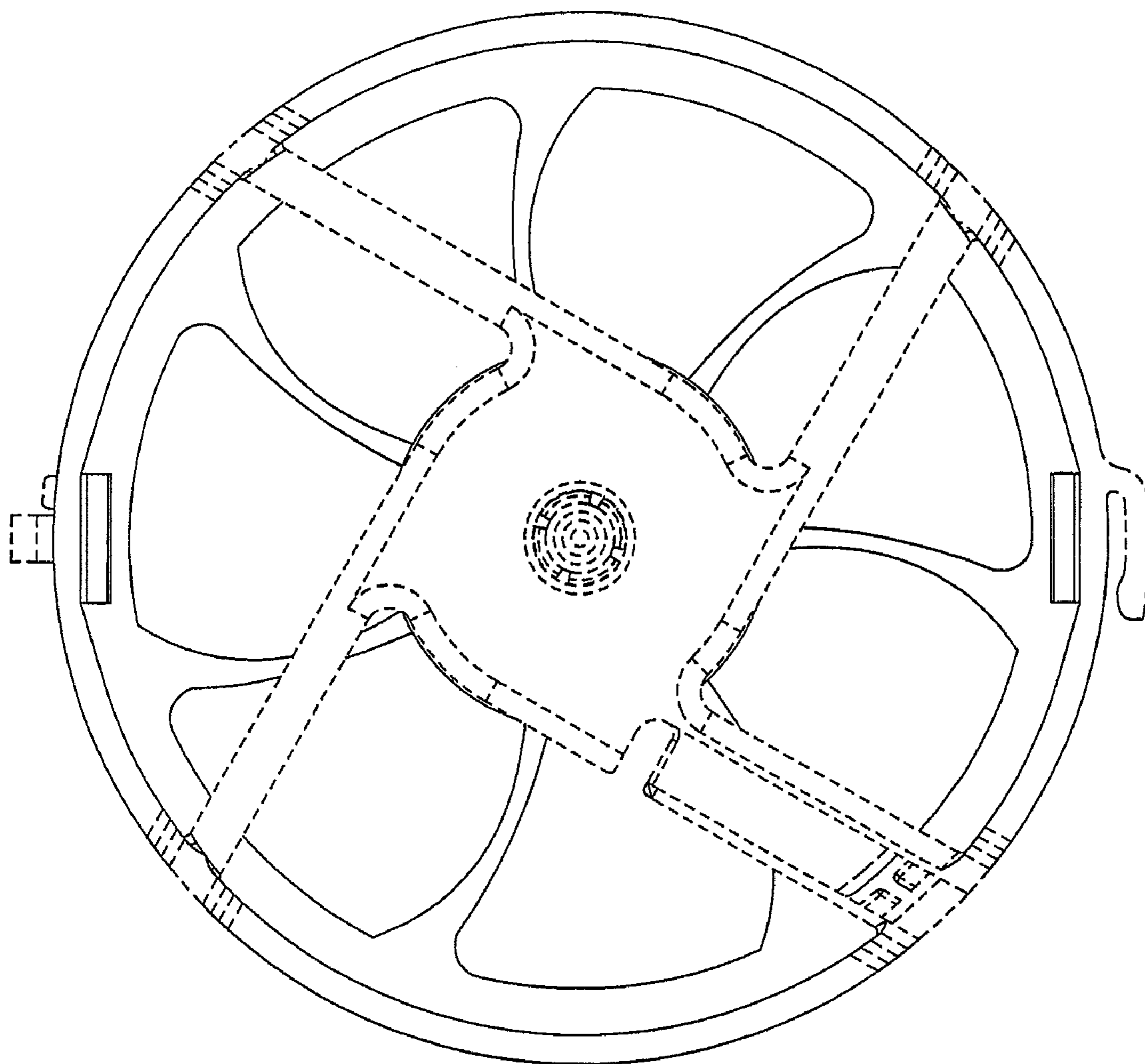


FIG. 3

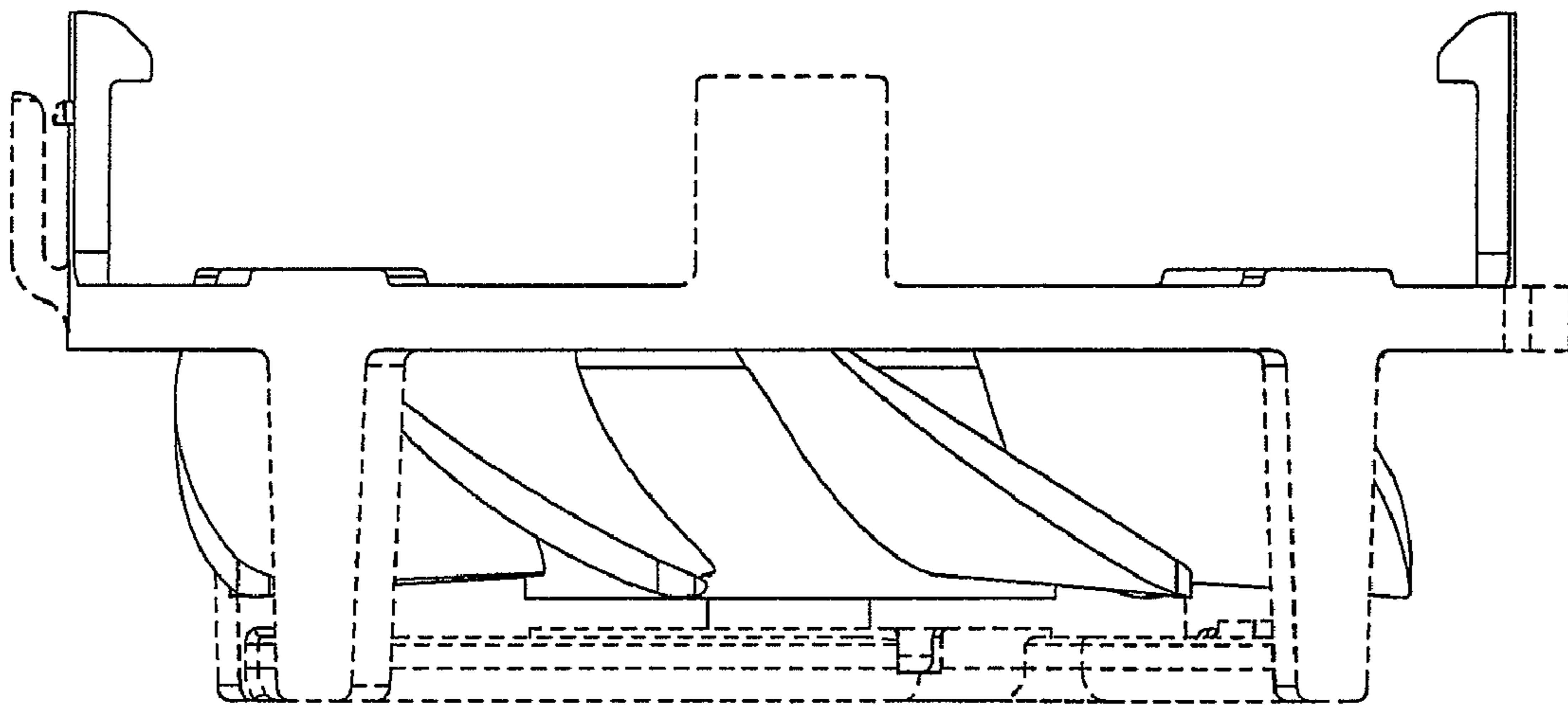


FIG. 4

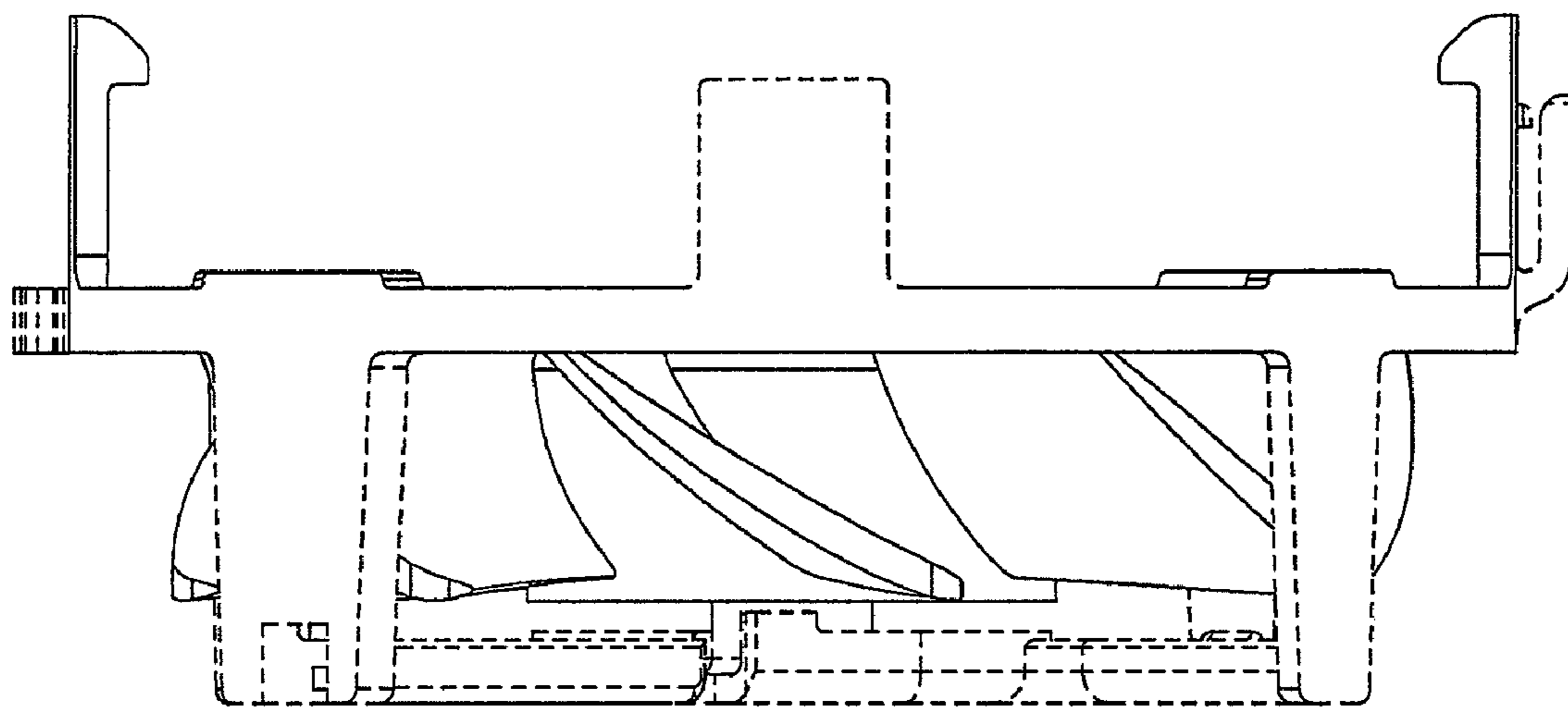


FIG. 5

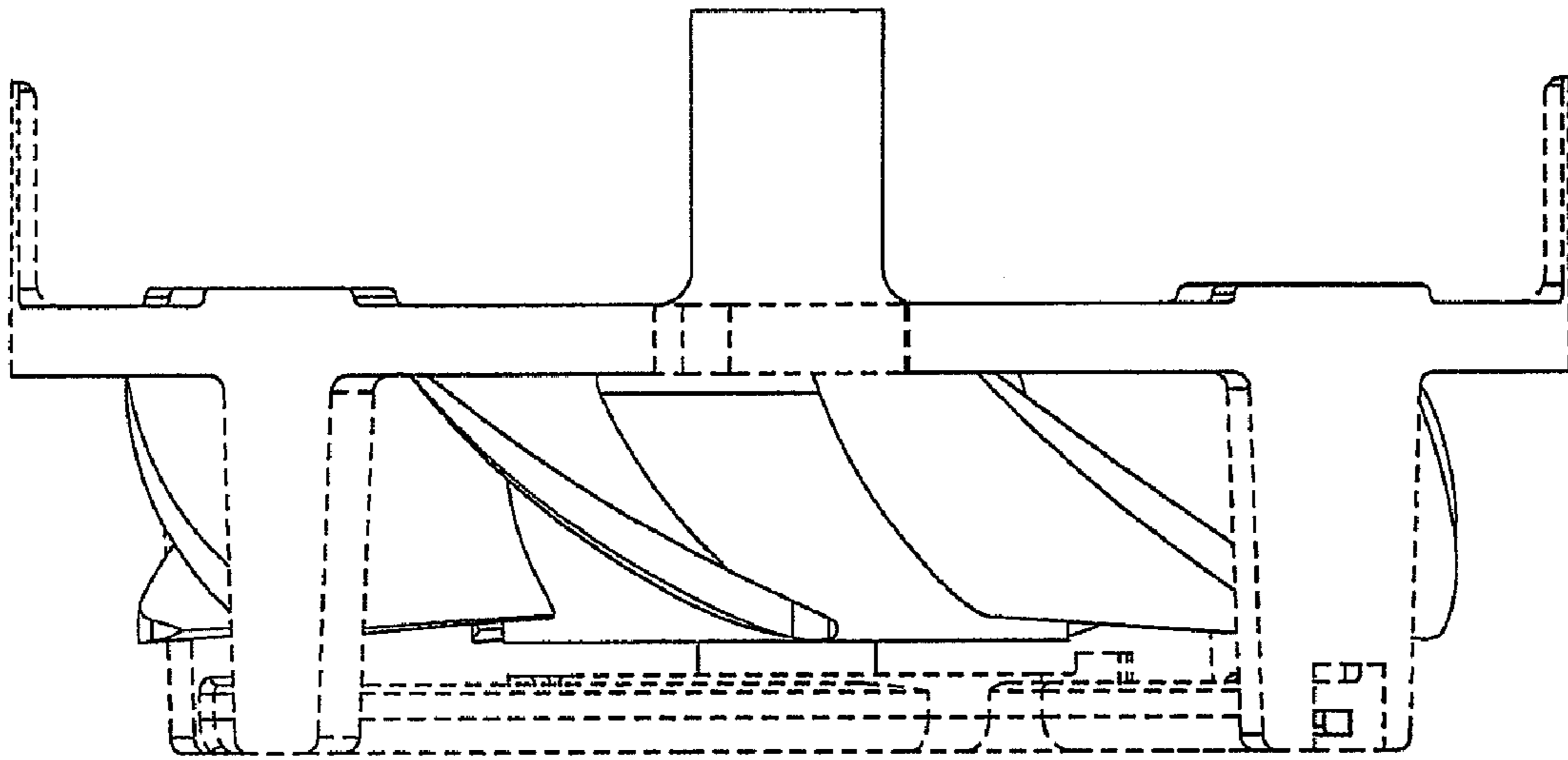


FIG. 6

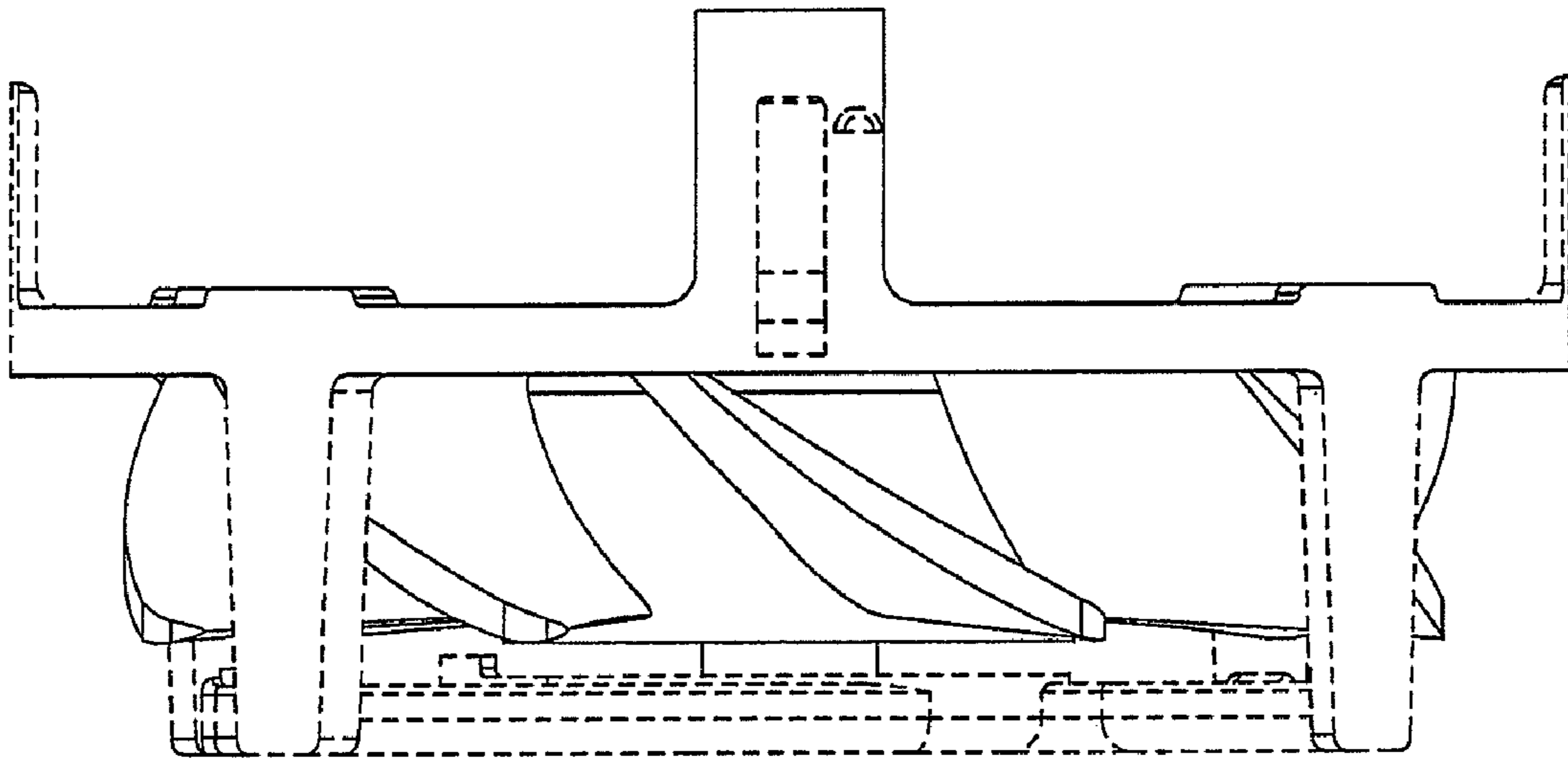


FIG. 7

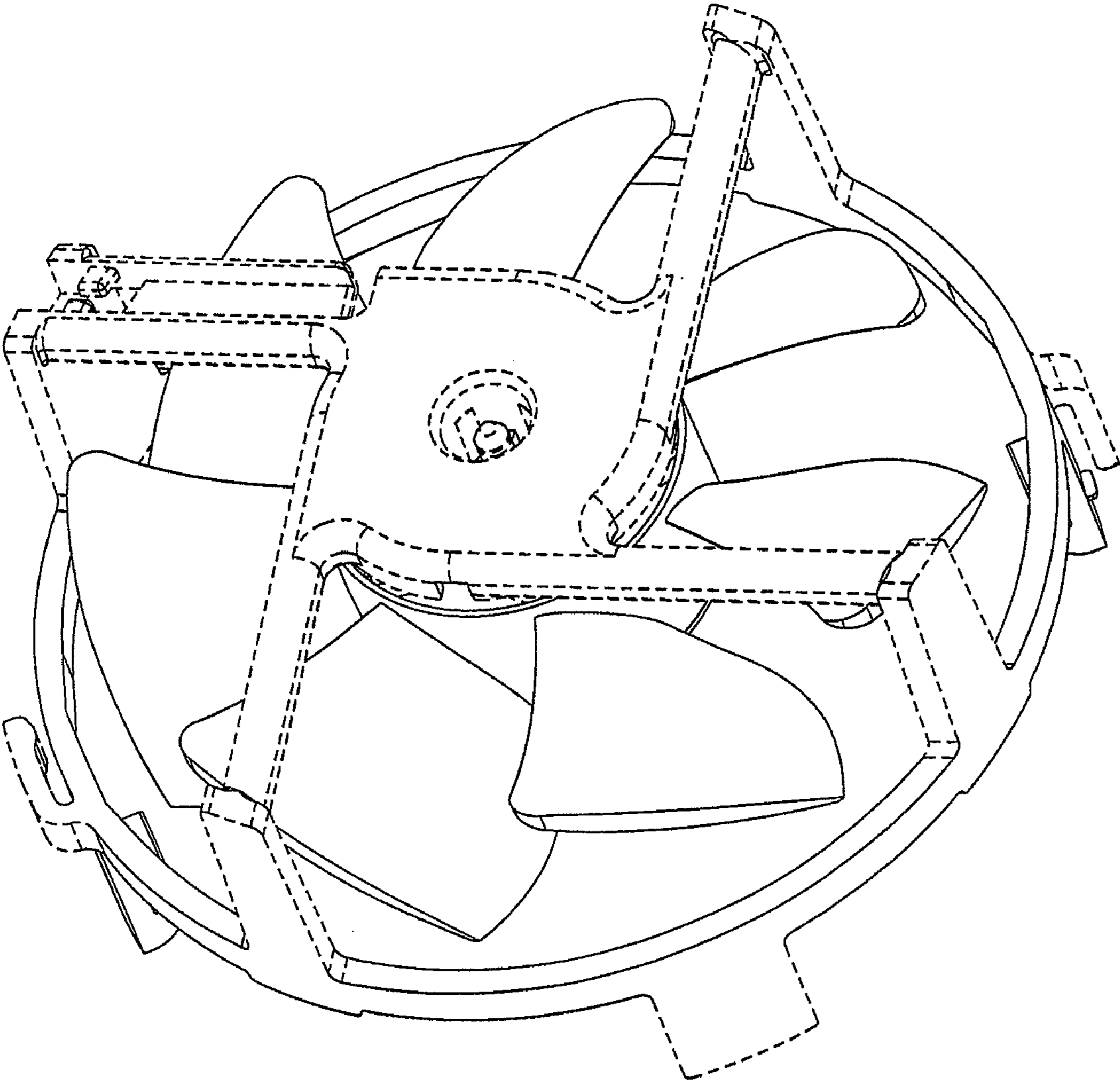


FIG. 8