



US00D584697S

(12) **United States Design Patent**  
**Hood et al.**

(10) **Patent No.:** **US D584,697 S**  
(45) **Date of Patent:** **\*\* Jan. 13, 2009**

(54) **VEHICLE ELECTRICAL CENTER SUBASSEMBLY**

(75) Inventors: **Kerri Michelle Hood**, Schaumburg, IL (US); **Julio Cesar Urrea**, Chicago, IL (US); **Edwin J. Harris, IV**, Oak Park, IL (US); **Ronald Michael Rygiel**, Schaumburg, IL (US)

1,735,072 A 11/1929 Benjamin  
1,805,725 A 5/1931 Sachs  
1,817,521 A 8/1931 Messing  
1,821,987 A 9/1931 Redshaw  
1,832,796 A 11/1931 Straubing et al.  
1,833,158 A 11/1931 Frank  
1,851,471 A 3/1932 Wadsworth

(73) Assignee: **Littelfuse, Inc.**, Des Plaines, IL (US)

(Continued)

(\*\*) Term: **14 Years**

*Primary Examiner*—Daniel D Bui  
*Assistant Examiner*—Thomas J Johannes

(21) Appl. No.: **29/317,145**

(74) *Attorney, Agent, or Firm*—Bell, Boyd & Lloyd LLP

(22) Filed: **Apr. 23, 2008**

(57) **CLAIM**

(51) **LOC (9) Cl.** ..... **13-03**

We claim the ornamental design for a vehicle electrical center subassembly, as shown and described.

(52) **U.S. Cl.** ..... **D13/178; D13/160; D13/177**

(58) **Field of Classification Search** ..... D13/160, D13/161, 173, 177, 178, 181, 184, 199; 337/181, 337/186, 196, 199, 205, 213; 361/600, 626, 361/642, 646, 833, 834, 809, 835; 439/76.12, 439/621, 622, 698, 830, 831, 832; D9/452-454  
See application file for complete search history.

**DESCRIPTION**

FIG. 1 is a perspective view of a vehicle electrical center subassembly, showing our new design.

FIG. 2 is a front view thereof;

FIG. 3 is a rear view thereof;

FIG. 4 is a left side view thereof;

FIG. 5 is a right side view thereof;

FIG. 6 is a top view thereof;

FIG. 7 is a bottom view thereof; and,

FIG. 8 is a bottom view thereof showing an unclaimed alternate bottom usage environment.

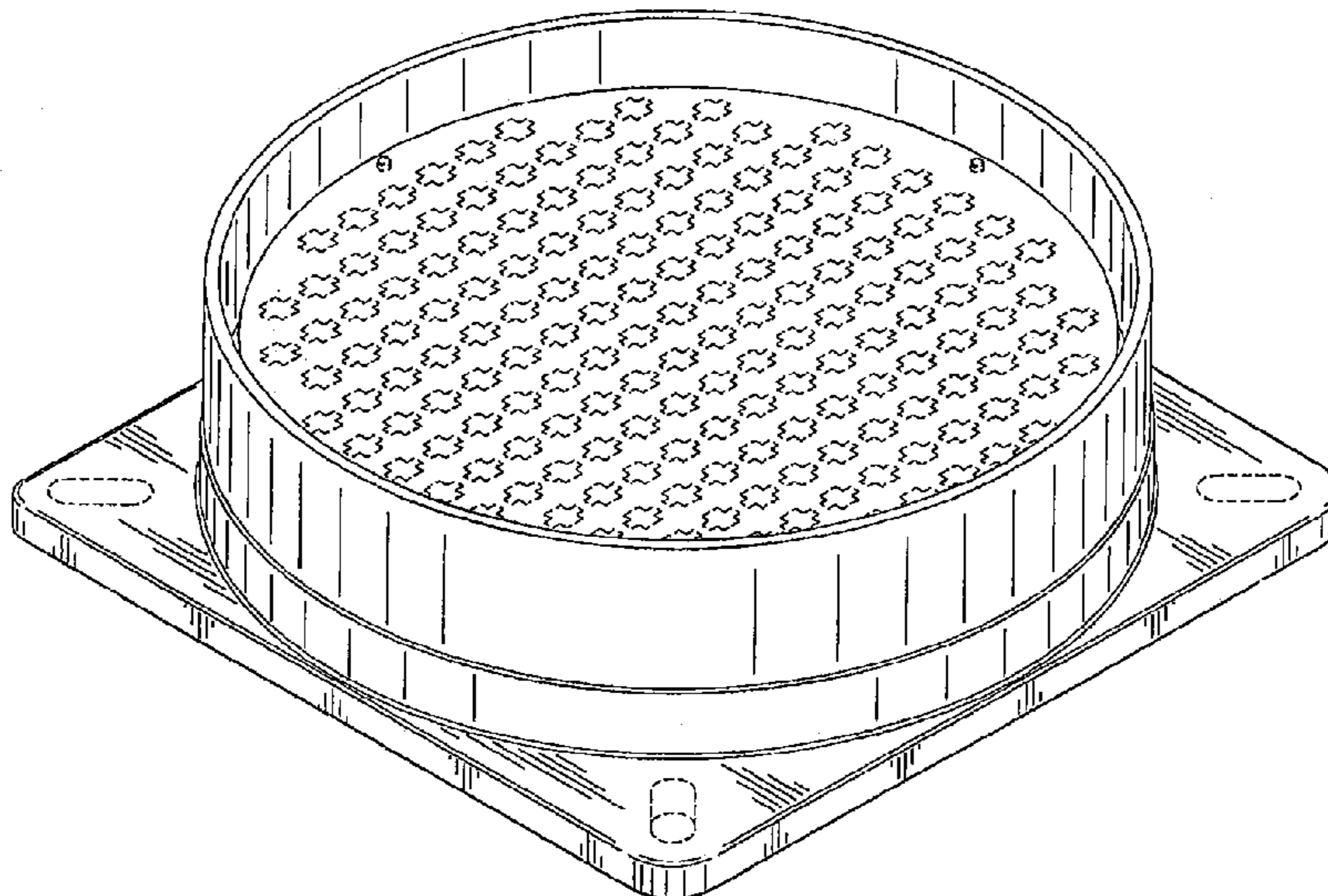
The broken line portions shown in each of the figure drawings is included to show unclaimed subject matter only and forms no part of the claimed design.

(56) **References Cited**

U.S. PATENT DOCUMENTS

1,484,448 A 2/1924 Hart  
1,513,691 A 10/1924 Bissell  
1,522,729 A 1/1925 Loudon  
1,529,773 A 3/1925 Crabbs  
1,555,930 A 10/1925 Allen  
1,631,178 A 6/1927 Wurdack  
1,638,257 A 8/1927 Gunn  
1,650,252 A 11/1927 Wilhelm  
1,700,582 A 1/1929 Brown  
1,714,790 A 5/1929 Kovar  
1,715,799 A 6/1929 Taylor  
1,721,098 A 7/1929 Wallis  
1,732,265 A 10/1929 Fried

**1 Claim, 6 Drawing Sheets**



# US D584,697 S

Page 2

U.S. PATENT DOCUMENTS					
1,856,423 A	5/1932	Olley	RE33,877 E	4/1992	Sappington
1,863,932 A	6/1932	Mogilner	5,116,246 A	5/1992	Perry et al.
1,880,543 A	10/1932	Wadsworth	5,125,855 A	6/1992	Brooks
1,888,854 A	11/1932	France et al.	5,150,094 A	9/1992	Babini
1,917,861 A	7/1933	Wadsworth	5,277,626 A	1/1994	Oikawa et al.
1,917,862 A	7/1933	Wadsworth	5,324,214 A	6/1994	De Castro
1,965,410 A	7/1934	Frank	5,365,395 A	11/1994	Callaway
2,011,654 A	8/1935	Sandin	D359,682 S *	6/1995	Miller ..... D9/434
2,086,727 A	7/1937	Morris	5,476,396 A	12/1995	De Castro
2,145,154 A	1/1939	Corbett	5,488,345 A	1/1996	Seki et al.
2,158,655 A	5/1939	Frank	D367,818 S *	3/1996	Zana ..... D9/454
2,163,460 A	6/1939	Dahl	5,515,023 A	5/1996	Marach et al.
2,239,660 A	4/1941	Shipley et al.	5,629,663 A	5/1997	Seki et al.
2,264,260 A	11/1941	Schmitt et al.	5,632,654 A	5/1997	Sugiura
2,271,693 A	2/1942	House	D381,010 S	7/1997	Ansley
2,334,550 A	11/1943	Griffith	5,643,693 A	7/1997	Hill et al.
2,524,004 A	9/1950	Wallace et al.	5,659,283 A	8/1997	Arratia
2,851,671 A	9/1958	Luce	5,680,088 A	10/1997	Seki et al.
3,268,692 A	8/1966	Oldham	5,831,827 A *	11/1998	Fekete et al. .... 361/728
3,299,236 A	1/1967	Barker	D406,111 S	2/1999	Awbrey
3,354,356 A	11/1967	Pettit et al.	D408,368 S	4/1999	Awbrey et al.
3,486,154 A	12/1969	Seagrave et al.	5,906,514 A	5/1999	Nelson, Jr.
3,704,438 A	11/1972	Boone	RE36,317 E	9/1999	Arratia
3,796,978 A	3/1974	Grunert et al.	5,949,148 A	9/1999	Wagner
3,967,164 A	6/1976	Valle	6,186,633 B1	2/2001	Zen et al.
3,993,395 A	11/1976	Taylor	6,215,173 B1	4/2001	Echigoya
4,221,455 A	9/1980	Cairns et al.	D451,393 S *	12/2001	Gerhart et al. .... D9/453
4,221,456 A	9/1980	Cairns et al.	6,431,880 B1	8/2002	Davis et al.
4,226,493 A	10/1980	Cairns et al.	6,437,986 B1	8/2002	Koshiba
4,278,316 A	7/1981	White	6,443,771 B2	9/2002	Kondo et al.
4,332,002 A	5/1982	Yamaguchi et al.	6,457,995 B1	10/2002	Brooks
4,371,743 A	2/1983	Decker	6,504,468 B2	1/2003	Lee et al.
4,390,225 A	6/1983	Coyne et al.	6,560,123 B1	5/2003	de Varennes et al.
4,432,594 A	2/1984	Daggett	6,700,081 B1	3/2004	Houck, III
4,544,907 A	10/1985	Takano	6,724,291 B1	4/2004	Byaliy et al.
D284,853 S *	7/1986	Djurinec ..... D13/173	D490,381 S	5/2004	Dejan
4,721,862 A	1/1988	Cooper	6,753,718 B2	6/2004	Keum
4,722,701 A	2/1988	Bradt	6,757,180 B1 *	6/2004	Chiang et al. .... 361/807
4,761,148 A	8/1988	Sappington	6,878,004 B2	4/2005	Oh
4,768,968 A	9/1988	Daggett et al.	6,881,909 B2	4/2005	Houck, III
4,810,991 A	3/1989	Olesak et al.	6,992,945 B2	1/2006	Otsuka
4,830,631 A	5/1989	Hsueh	D517,996 S	3/2006	Lacy et al.
4,837,546 A	6/1989	Bernstein	7,071,427 B2	7/2006	Houck, III et al.
4,845,708 A	7/1989	Herrmann, Jr. et al.	D528,998 S	9/2006	Song et al.
4,846,733 A	7/1989	Baisz et al.	7,265,289 B2 *	9/2007	Roehm et al. .... 174/50
4,880,398 A	11/1989	Hsueh	7,315,006 B2	1/2008	Houck, III et al.
D305,531 S *	1/1990	Suzuki et al. .... D13/126	7,344,415 B2	3/2008	Inaba et al.
4,921,450 A	5/1990	Herbert	7,367,465 B2 *	5/2008	Taber et al. .... 215/352
4,941,851 A	7/1990	Hsueh	2005/0040718 A1 *	2/2005	Sesselmann ..... 310/89
D321,683 S	11/1991	Marach	2006/0258218 A1 *	11/2006	Chen ..... 439/607

\* cited by examiner

FIG. 1

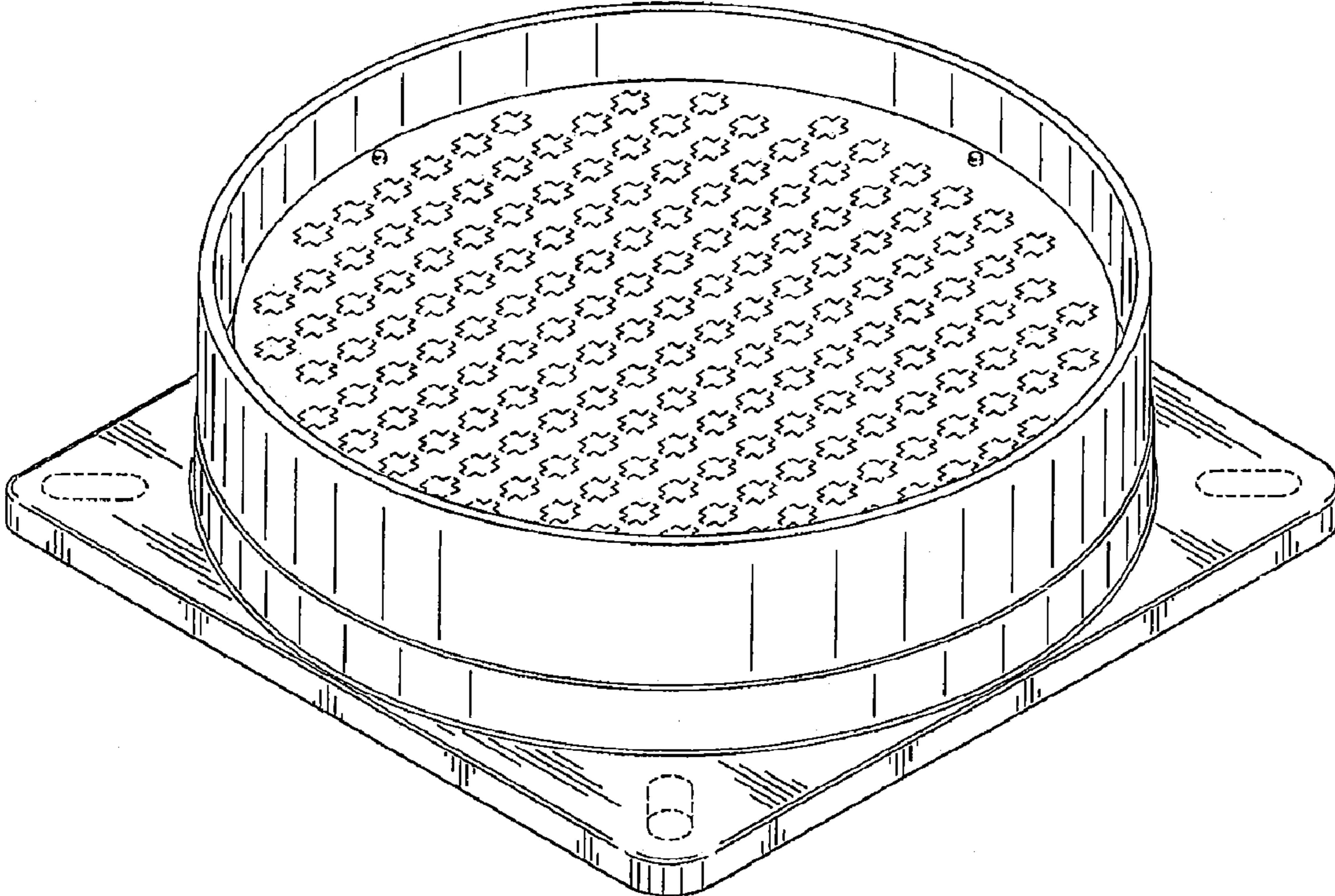


FIG. 2

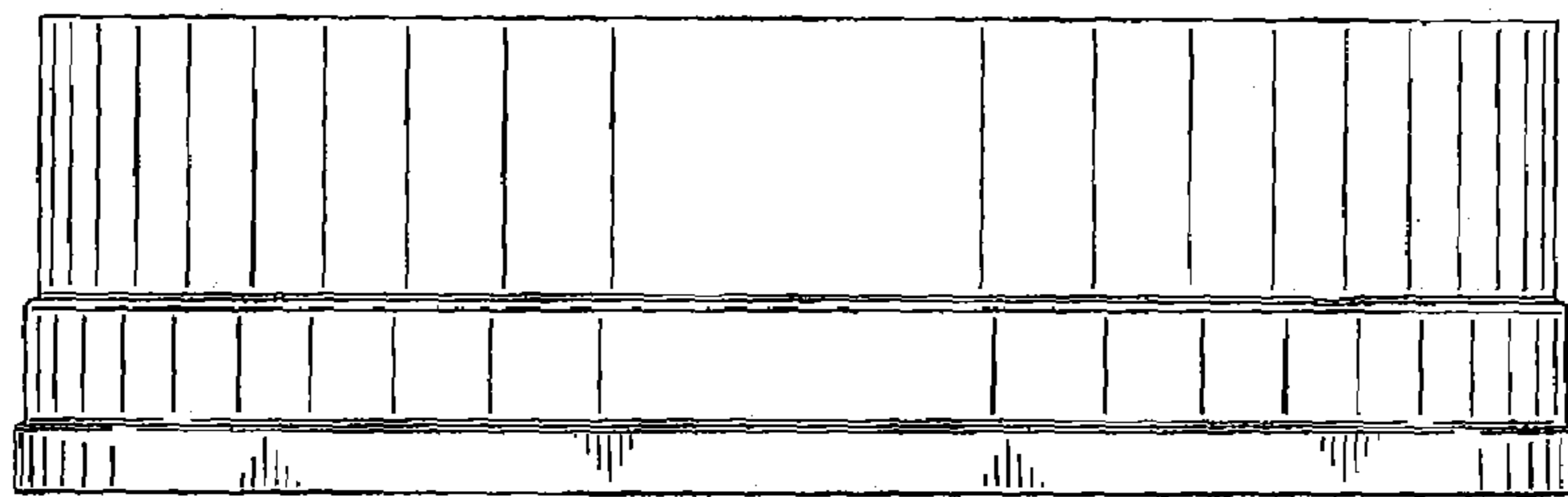


FIG. 3

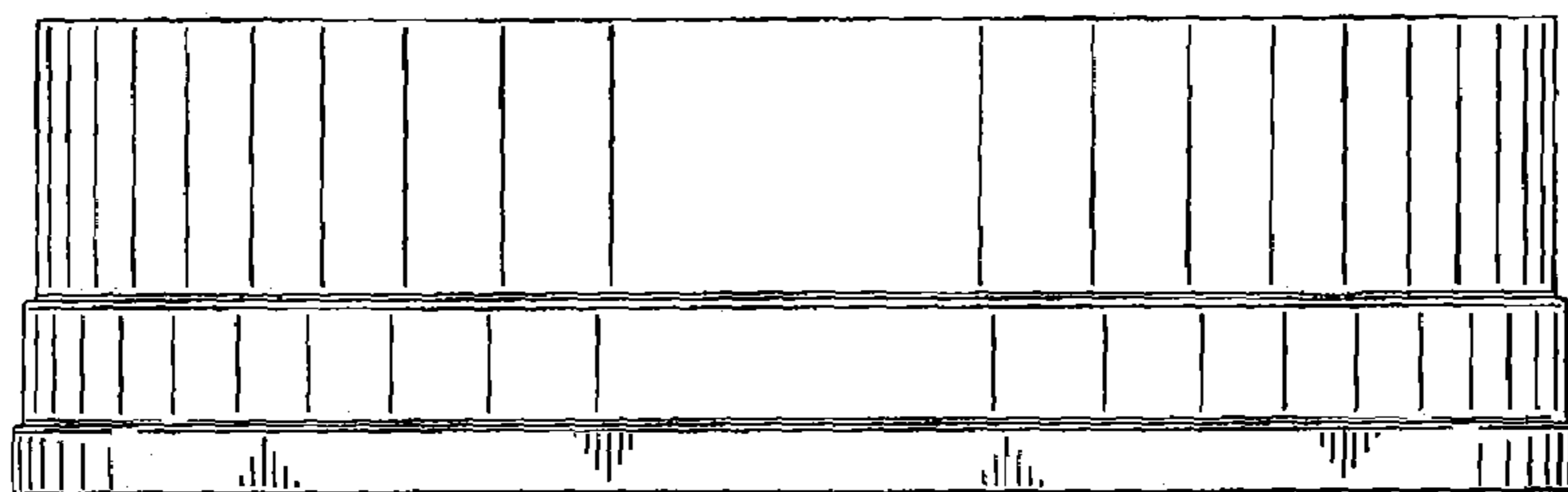


FIG. 4

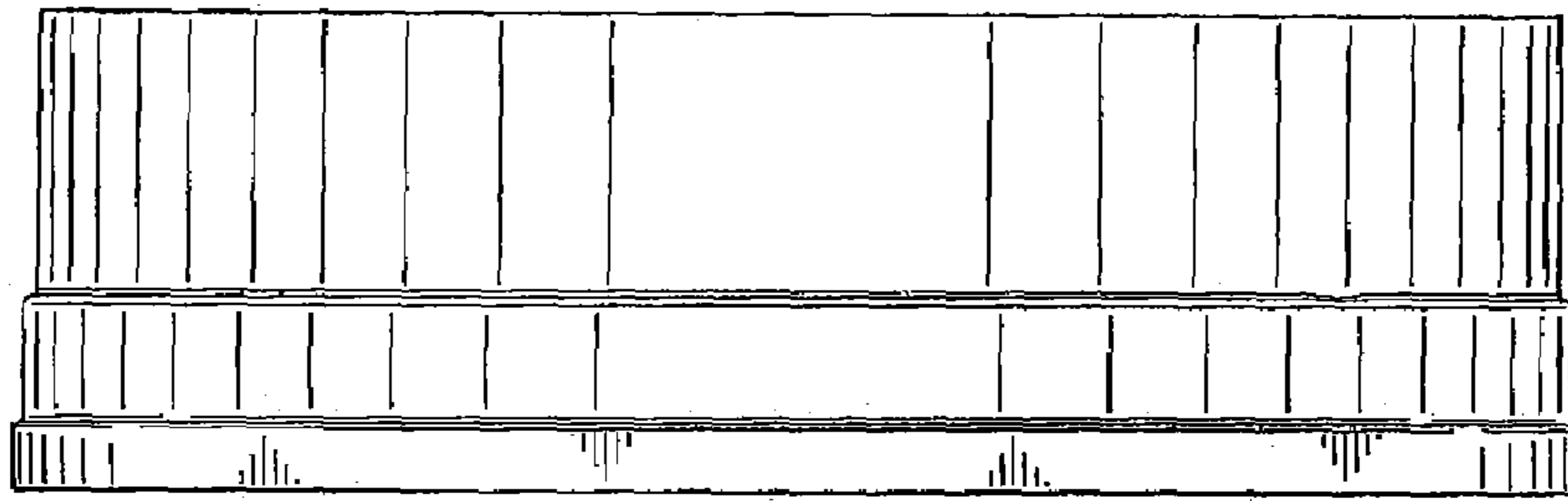


FIG. 5

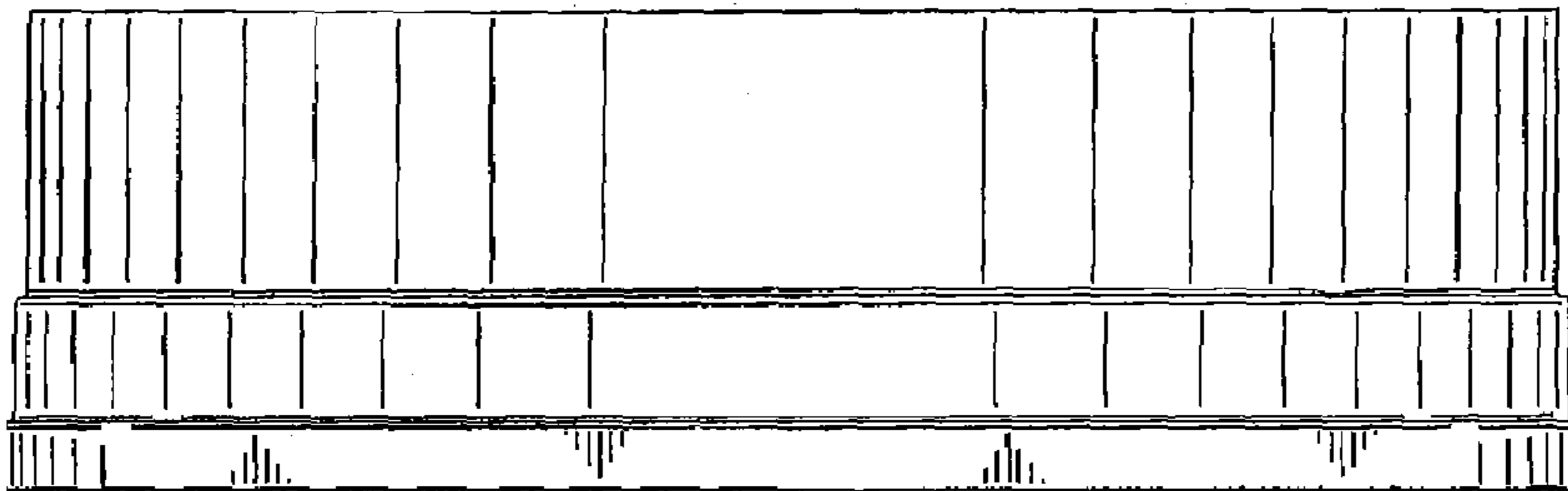


FIG. 6

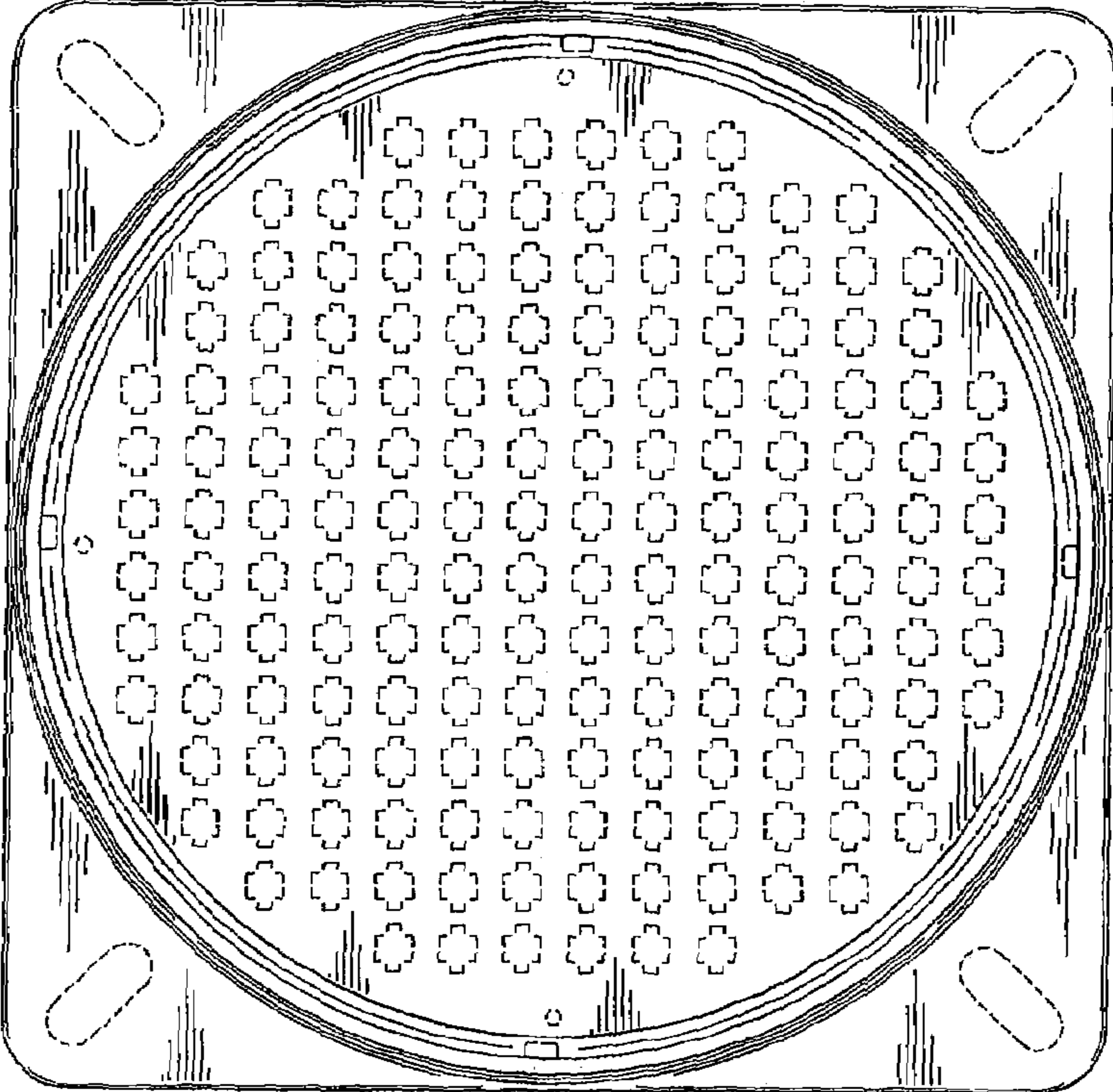


FIG. 7

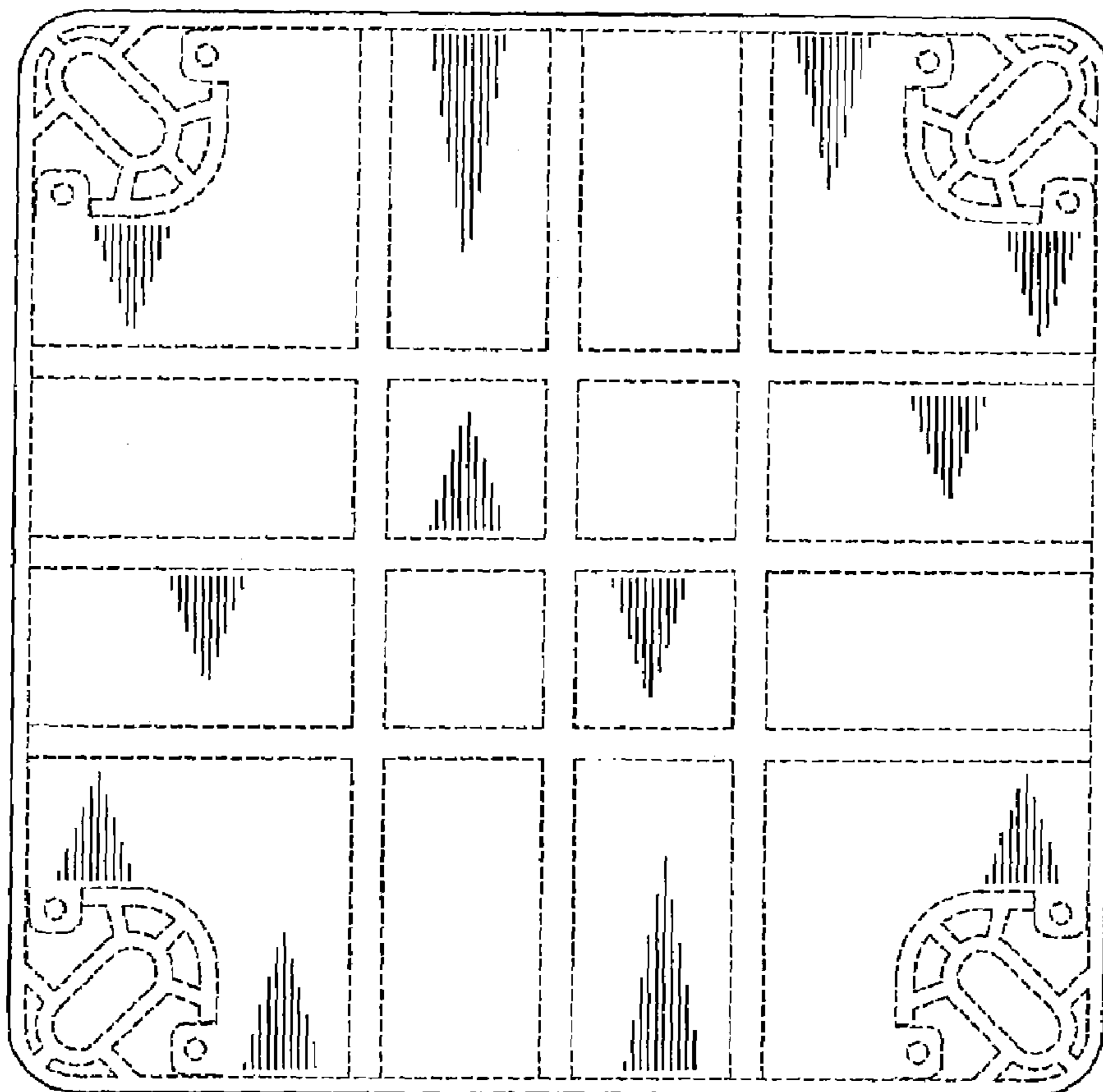


FIG. 8

