

US00D584693S

(12) **United States Design Patent**  
**Hatano et al.**

(10) **Patent No.:** **US D584,693 S**  
(45) **Date of Patent:** **\*\* Jan. 13, 2009**

(54) **ELECTRICAL CONNECTOR**

FOREIGN PATENT DOCUMENTS

(75) Inventors: **Takahiro Hatano**, Tokyo (JP); **Makiya Kimura**, Tokyo (JP); **Tomoyuki Takamoto**, Gunma (JP); **Shin Sakiyama**, Saitama (JP); **Takashi Sekizuka**, Saitama (JP)

JP 3-12383 2/1991  
JP 11-126667 11/1999

\* cited by examiner

*Primary Examiner*—Daniel D Bui  
(74) *Attorney, Agent, or Firm*—Barley Snyder LLC

(73) Assignees: **Tyco Electronics AMP K.K.**, Kanagawa-ken (JP); **Advantest Corporation**, Tokyo (JP)

(57) **CLAIM**

The ornamental design for an electrical connector, as shown and described.

(\*\*) Term: **14 Years**

**DESCRIPTION**

(21) Appl. No.: **29/304,415**

FIG. 1 is a front elevation view of an electrical connector, showing our new design;

(22) Filed: **Feb. 29, 2008**

FIG. 2 is a rear elevation view thereof;

(51) **LOC (9) Cl.** ..... **13-03**

FIG. 3 is a left side elevation view thereof;

(52) **U.S. Cl.** ..... **D13/147**

FIG. 4 is a right side elevation view thereof;

(58) **Field of Classification Search** ..... D13/146–147, D13/154, 184; D14/432, 433, 436, 438; 439/64, 79, 108, 159–160, 260, 325, 326, 439/394–395, 607–610, 629–630, 946

FIG. 5 is a top plan view thereof;

See application file for complete search history.

FIG. 6 is a bottom plan view thereof;

FIG. 7 is a cross sectional view thereof taken along the line 7–7 in FIG. 1 thereof;

(56) **References Cited**

U.S. PATENT DOCUMENTS

5,547,385	A	*	8/1996	Spangler	.....	439/101
D390,828	S	*	2/1998	Aramaki	.....	D13/147
D453,922	S	*	2/2002	Azuma et al.	.....	D13/147
D517,490	S	*	3/2006	Kawase et al.	.....	D13/147
D526,277	S	*	8/2006	Wu	.....	D13/147
D543,944	S	*	6/2007	Yamada et al.	.....	D13/147

FIG. 8 is a cross sectional view thereof taken along the line 8–8 in FIG. 1 thereof;

FIG. 9 is a top, front, and right side perspective view thereof; and,

FIG. 10 is a bottom, rear and right side perspective view thereof.

**1 Claim, 10 Drawing Sheets**

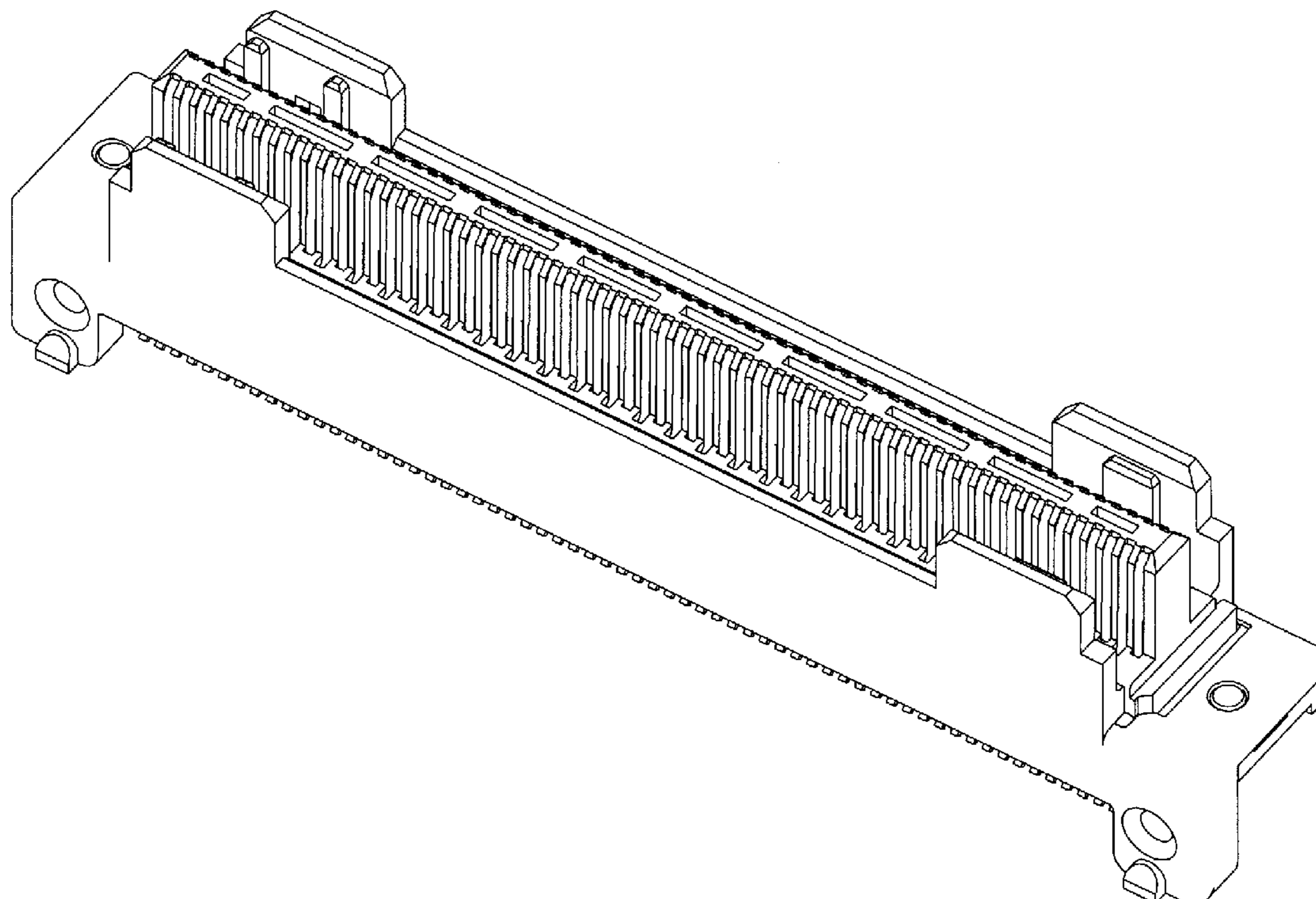


FIG. 1

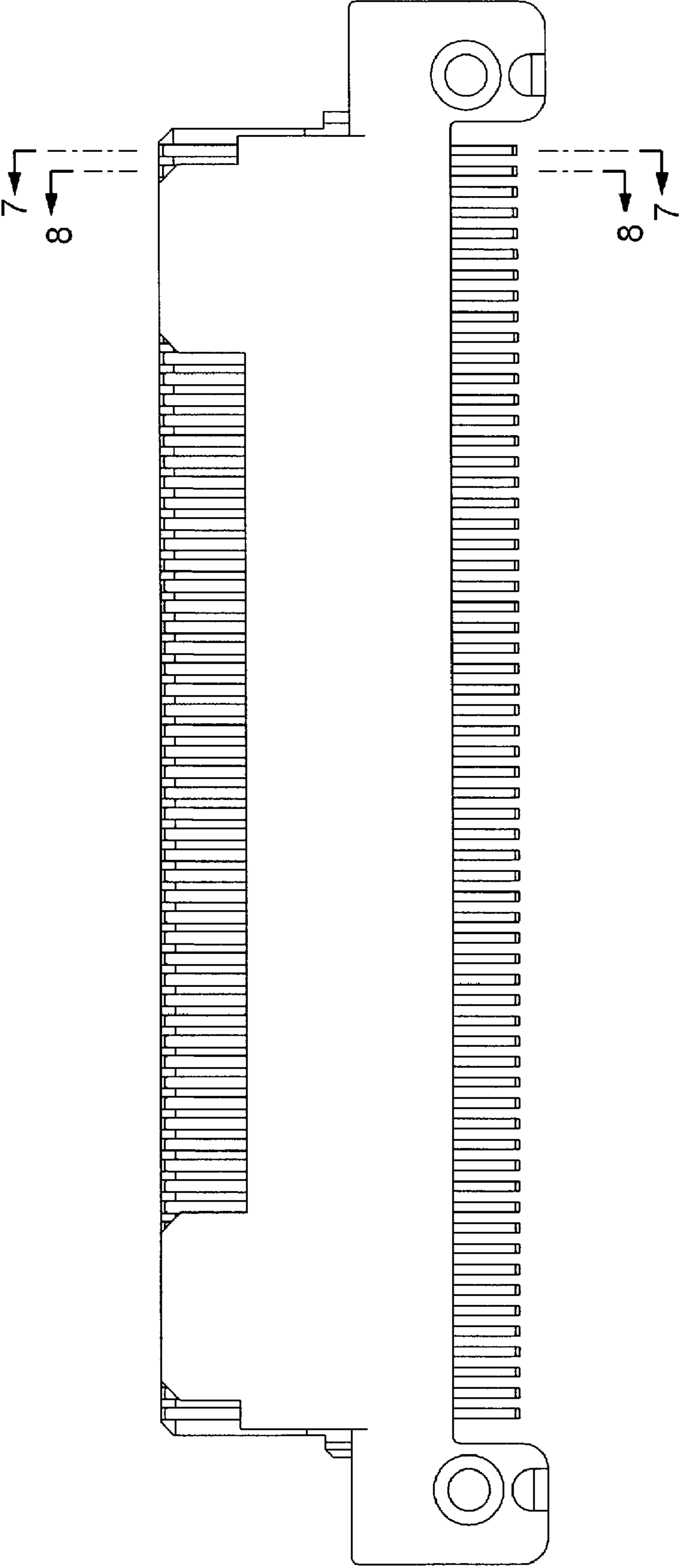
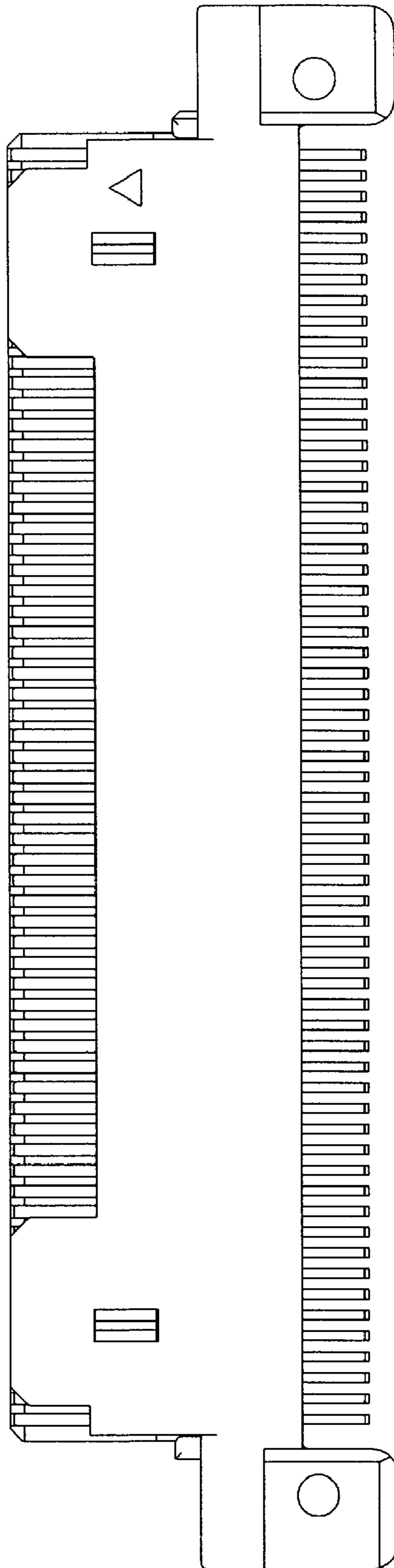
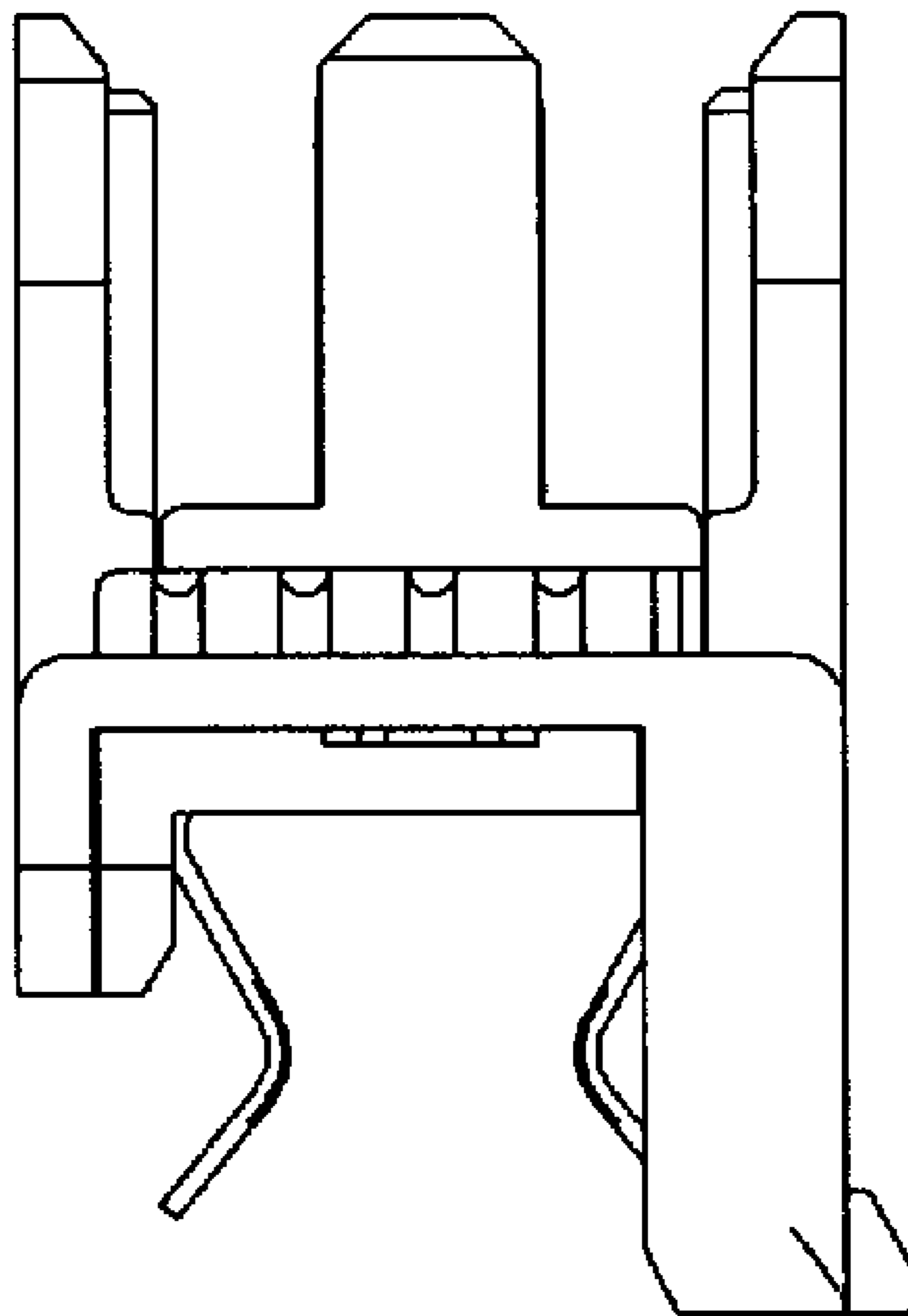


FIG. 2



# FIG. 3



# FIG. 4

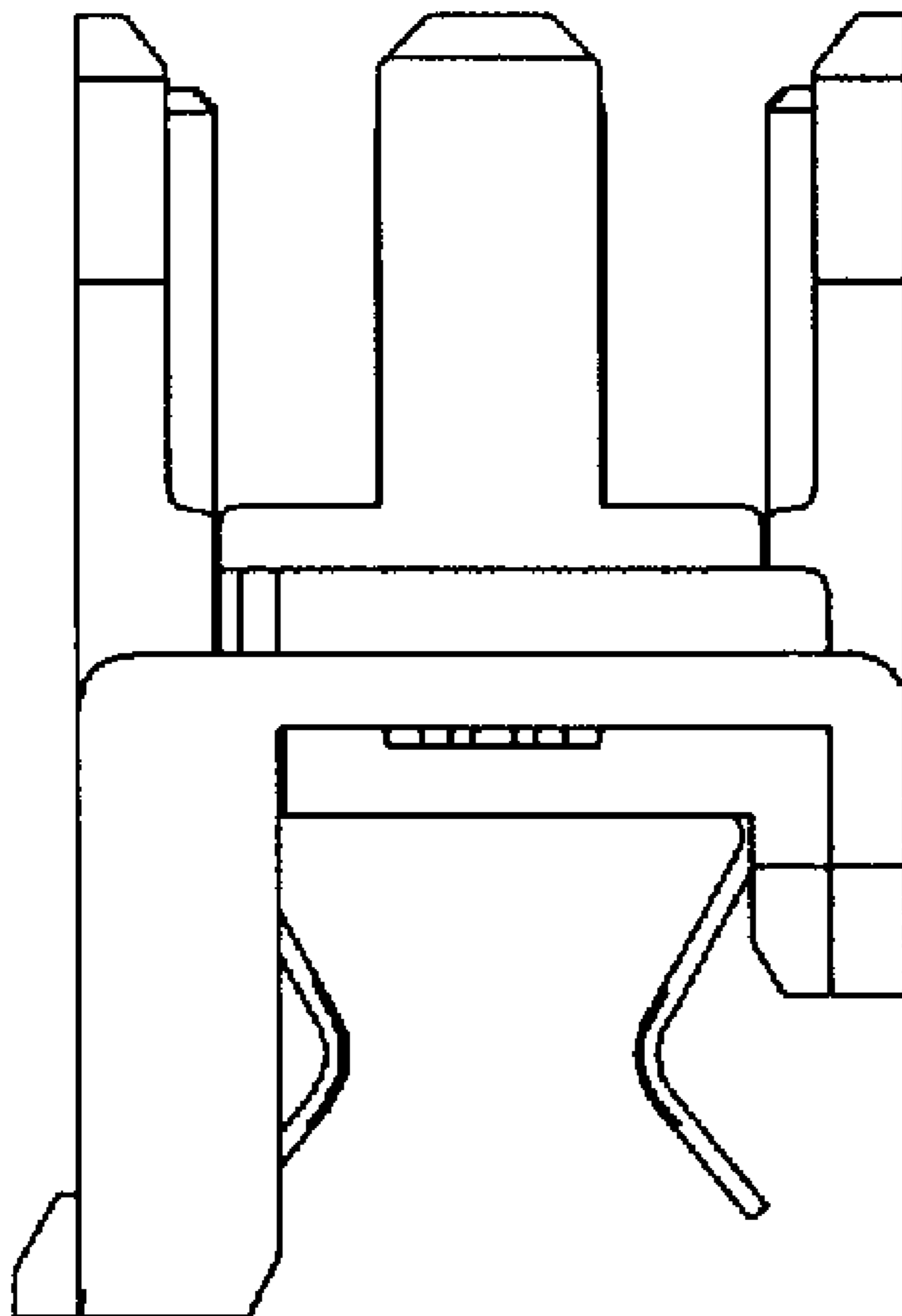


FIG. 5

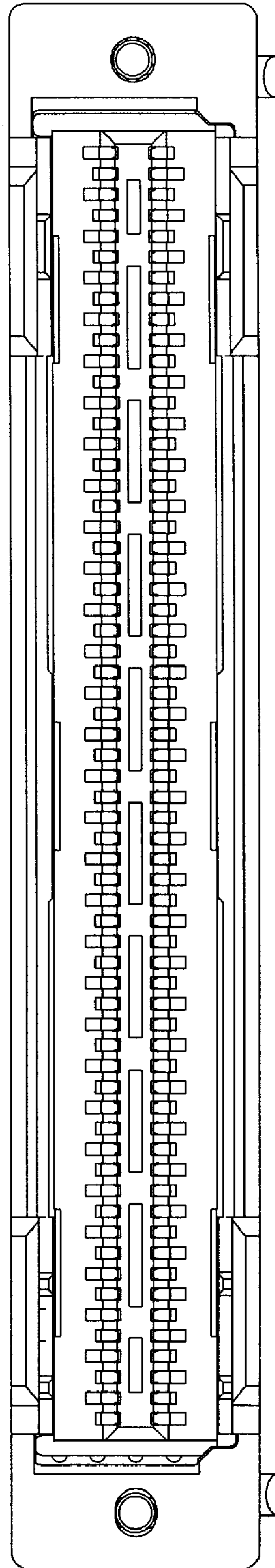
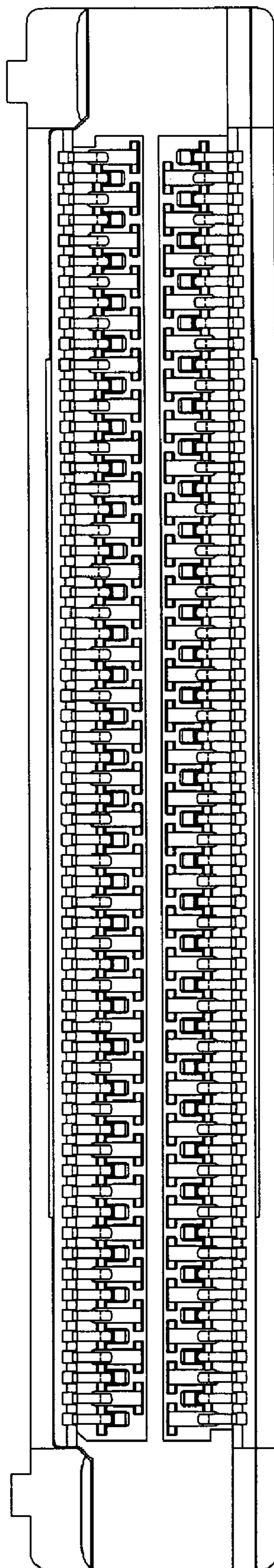
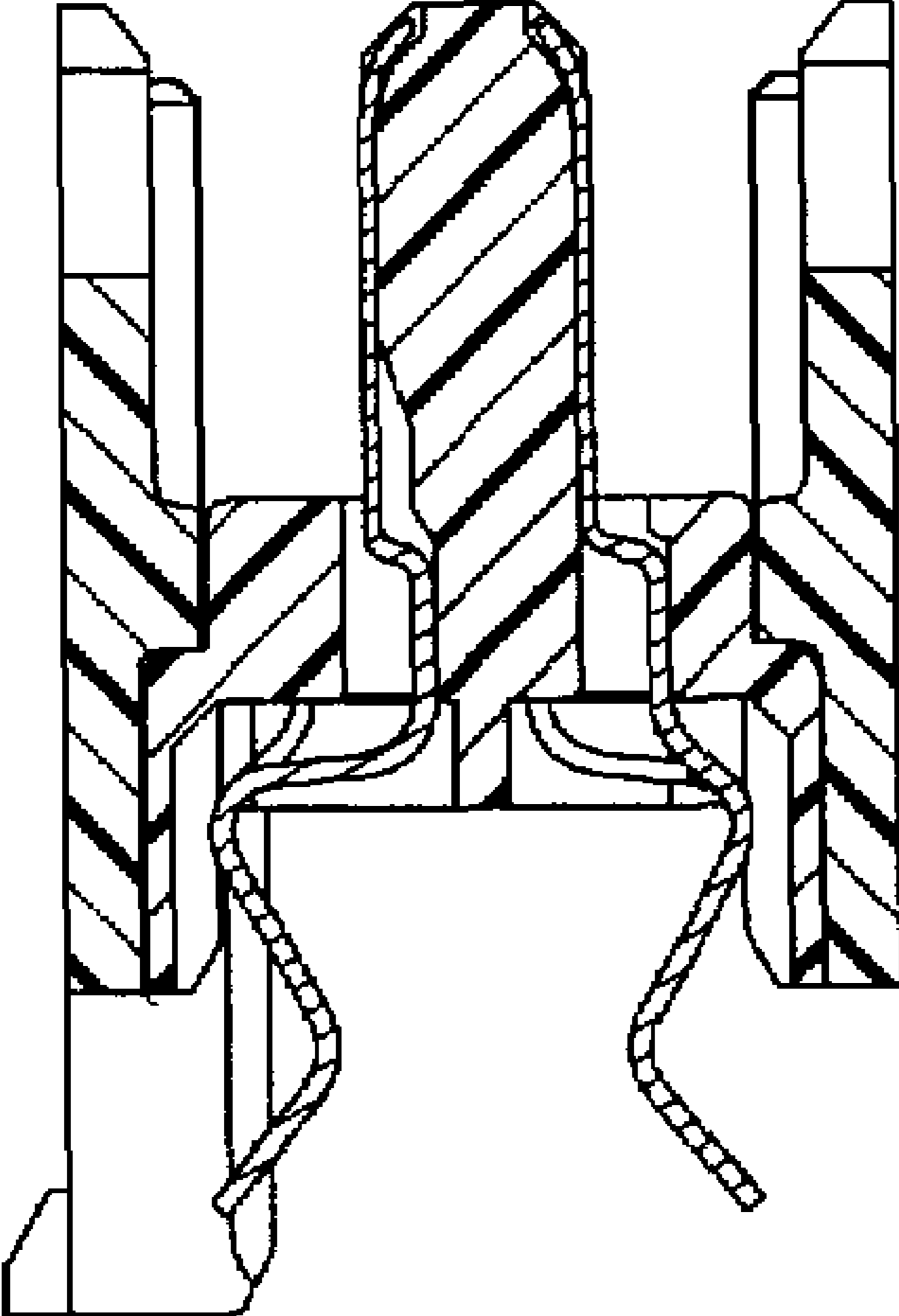


FIG. 6



# FIG. 7





# FIG. 8

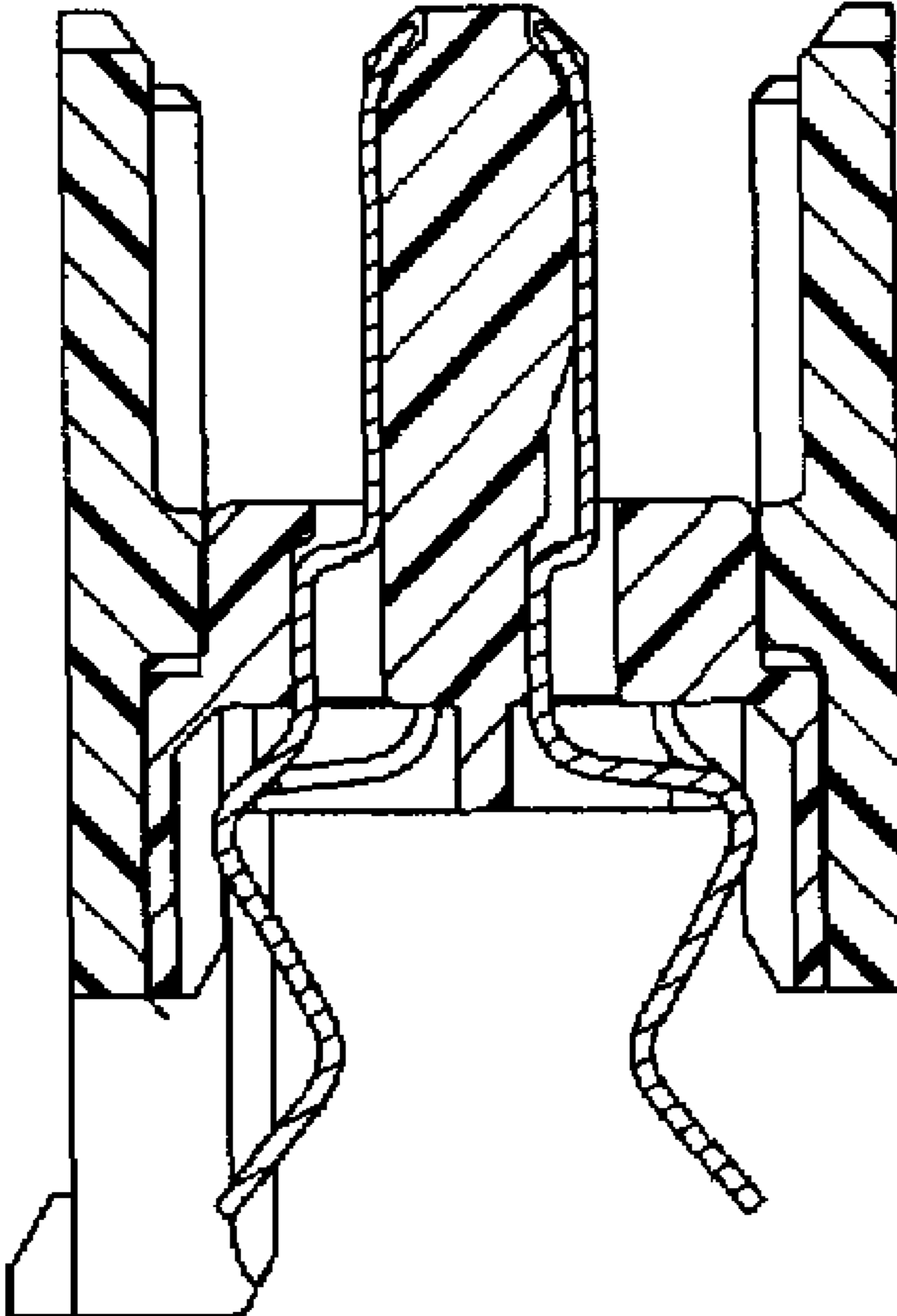


FIG. 9

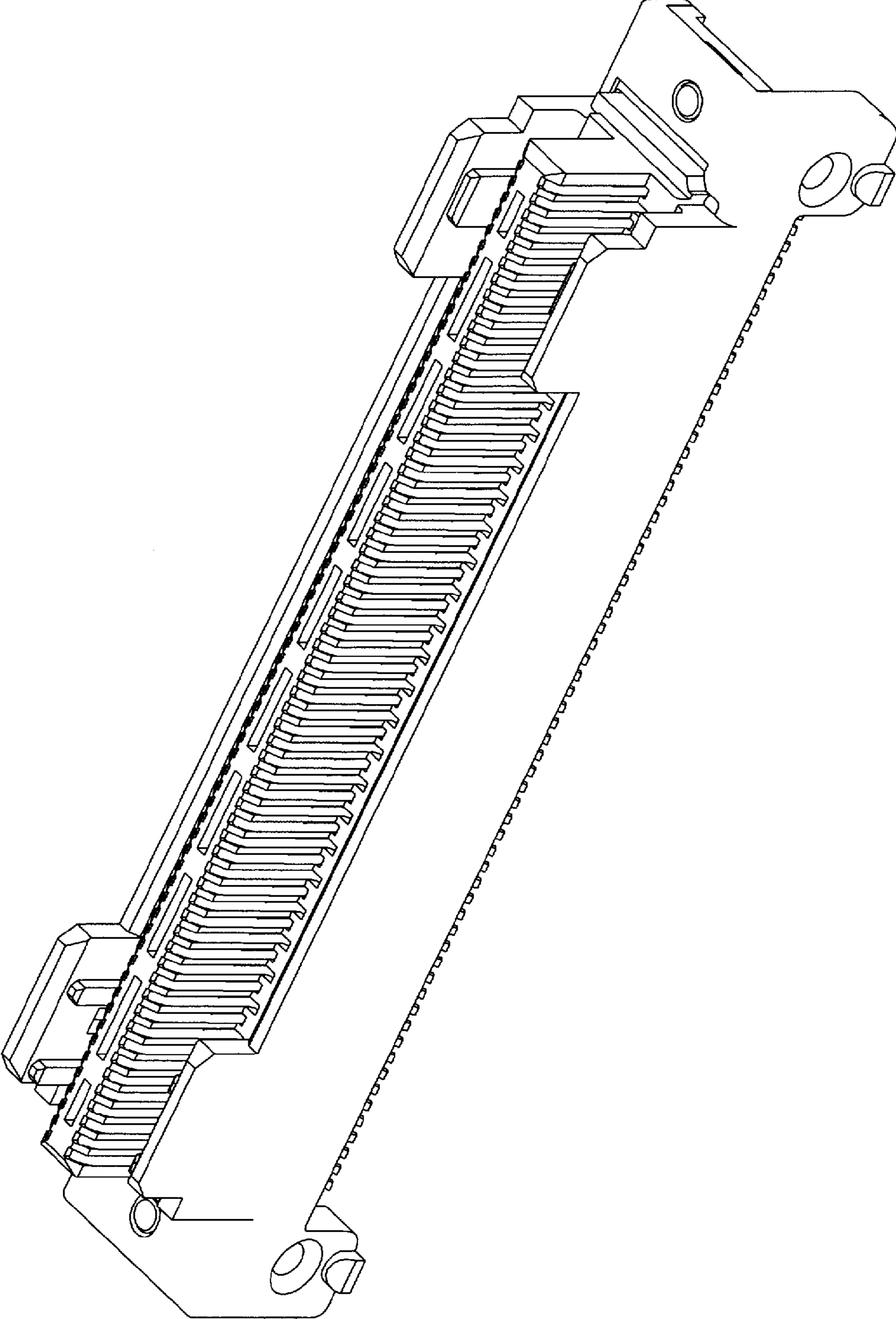


FIG. 10

