



US00D584692S

(12) **United States Design Patent**
Koyama et al.

(10) **Patent No.:** **US D584,692 S**
(45) **Date of Patent:** **** Jan. 13, 2009**

(54) **ELECTRICAL CONNECTOR**

(75) Inventors: **Ryozo Koyama**, Tokyo (JP); **Yousuke Takeuchi**, Tokyo (JP)

(73) Assignee: **Hirose Electric Co., Ltd.**, Tokyo (JP)

(**) Term: **14 Years**

(21) Appl. No.: **29/274,115**

(22) Filed: **Mar. 29, 2007**

(51) **LOC (9) Cl.** **13-03**

(52) **U.S. Cl.** **D13/147**

(58) **Field of Classification Search** D13/133,
D13/146-147, 154, 184; D14/432, 433,
D14/435, 438; 439/79, 108, 350, 357-358,
439/447, 578, 606-610, 677, 680, 682, 686
See application file for complete search history.

(56) **References Cited**

U.S. PATENT DOCUMENTS

| | | | | |
|-------------------|---------|--------------|-------|---------|
| D500,737 S * | 1/2005 | Shao | | D13/147 |
| D503,683 S * | 4/2005 | Wang | | D13/147 |
| D551,627 S * | 9/2007 | Chang et al. | | D13/147 |
| D563,875 S * | 3/2008 | Chang et al. | | D13/147 |
| 2005/0255752 A1 * | 11/2005 | Huang | | 439/607 |
| 2008/0090457 A1 * | 4/2008 | Takeuchi | | 439/607 |

* cited by examiner

Primary Examiner—Daniel D Bui

(74) *Attorney, Agent, or Firm*—Kubotera & Associates, LLC

(57) **CLAIM**

The ornamental design for an electrical connector, as shown and described.

DESCRIPTION

FIG. 1 is a perspective view of an electrical connector showing our new design;

FIG. 2 is a perspective view thereof viewed from a bottom side thereof;

FIG. 3 is a front view thereof;

FIG. 4 is a rear view thereof;

FIG. 5 is a right side view thereof;

FIG. 6 is a left side view thereof;

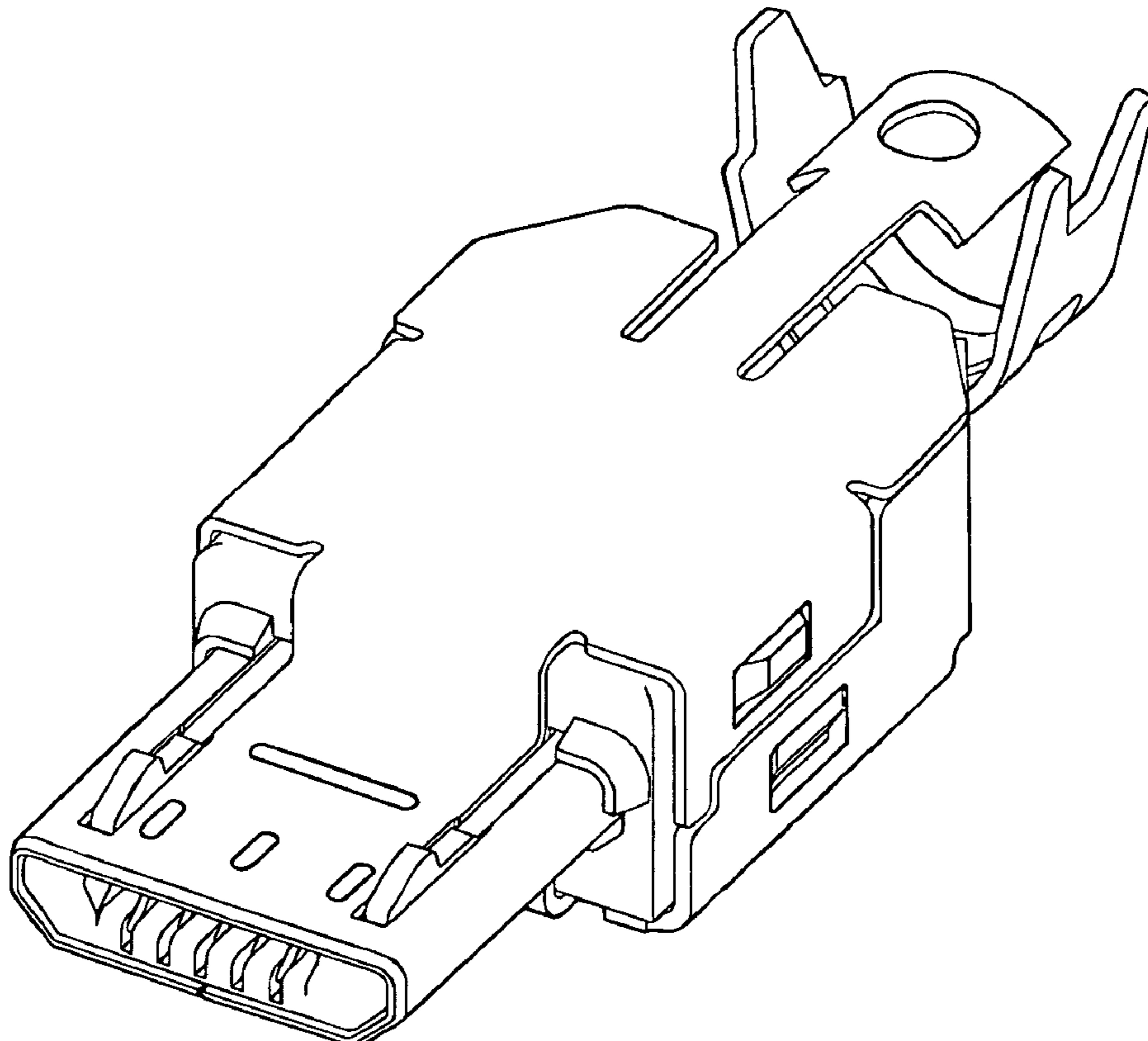
FIG. 7 is a plan view thereof;

FIG. 8 is a bottom view thereof; and,

FIG. 9 is a sectional view thereof taken along a line 9—9 in FIG. 3.

The broken line portion of the figure drawings is included to show unclaimed subject matter only and forms no part of the claimed design.

1 Claim, 6 Drawing Sheets



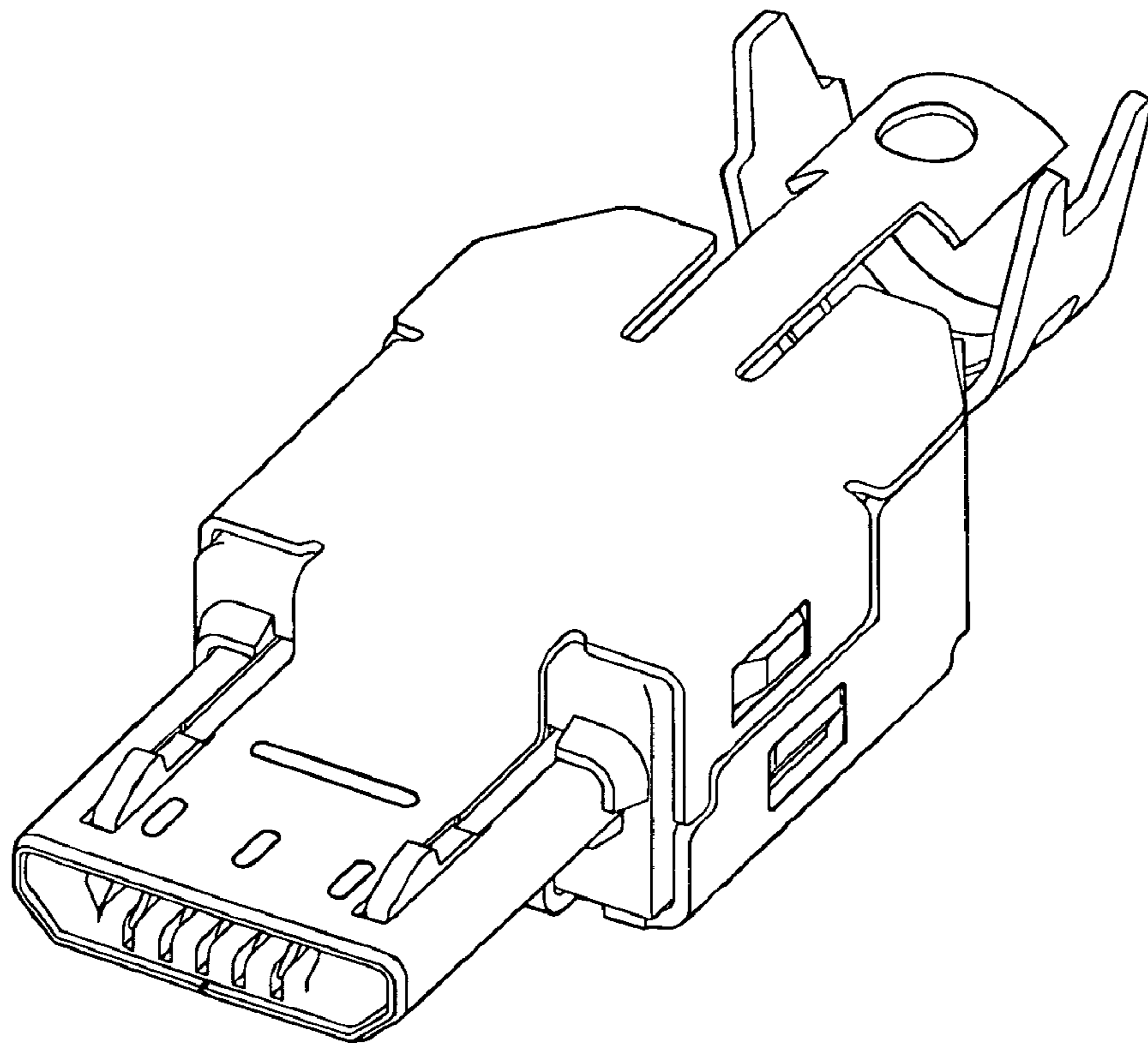


FIG. 1

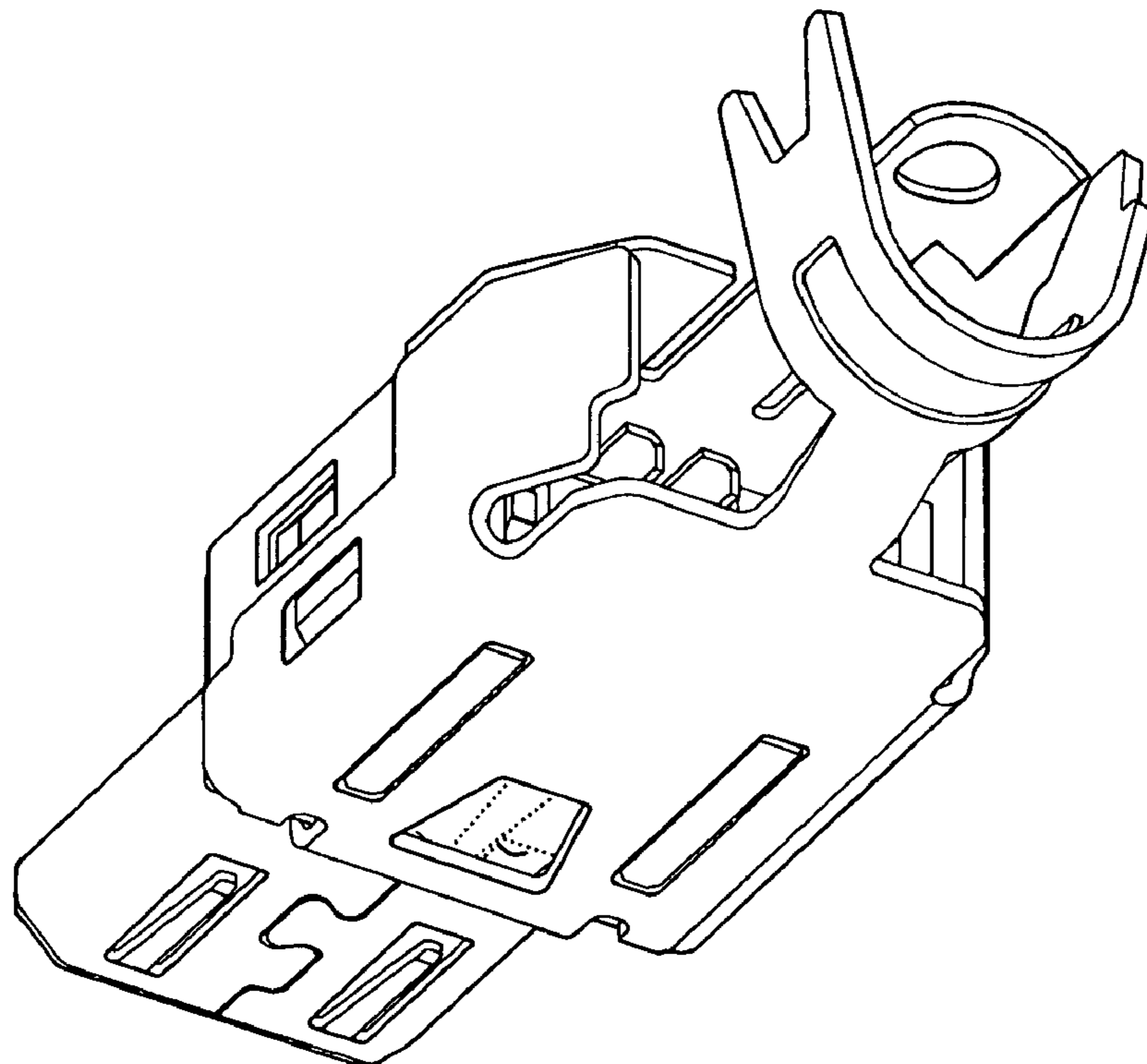


FIG. 2

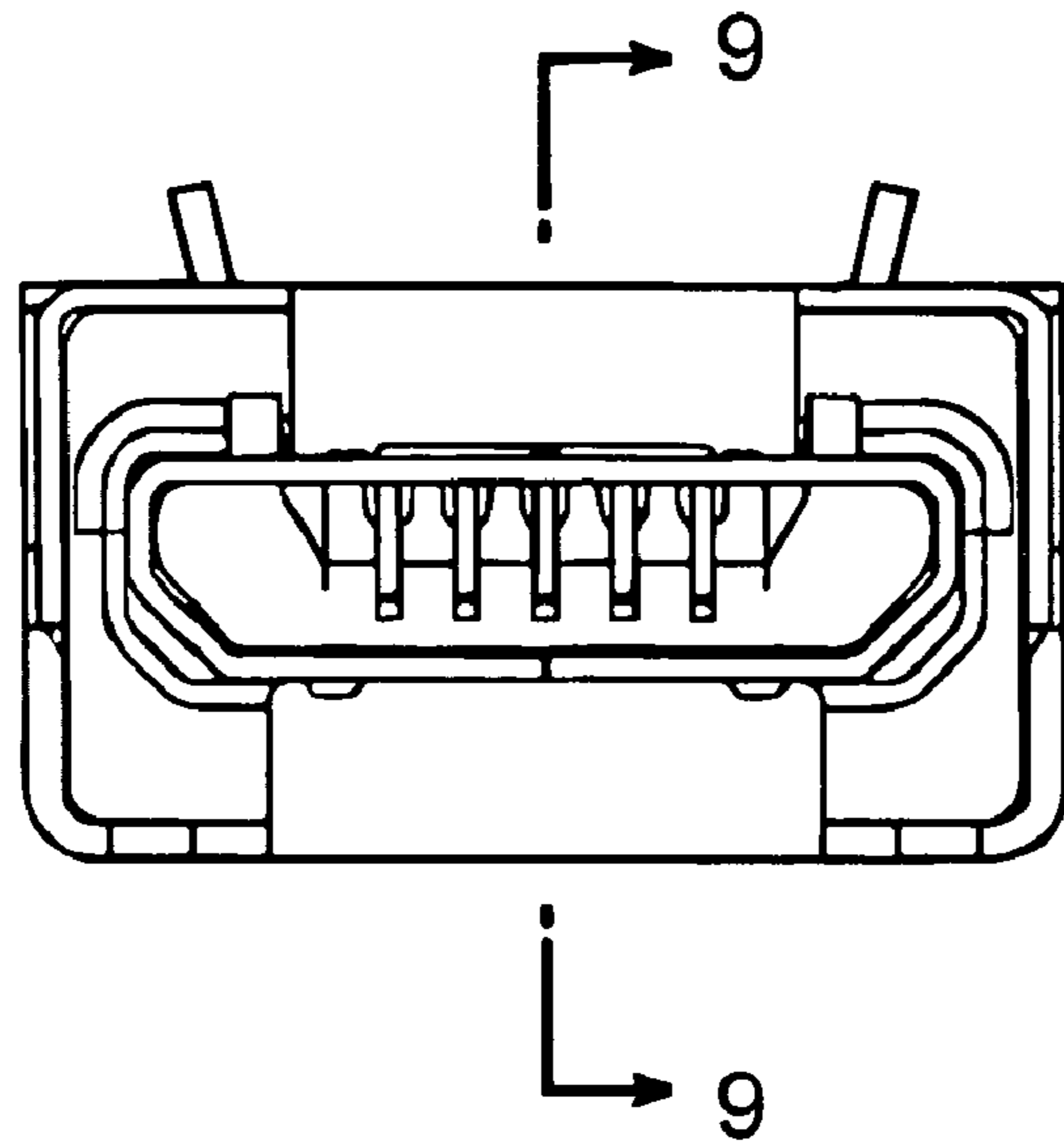


FIG. 3

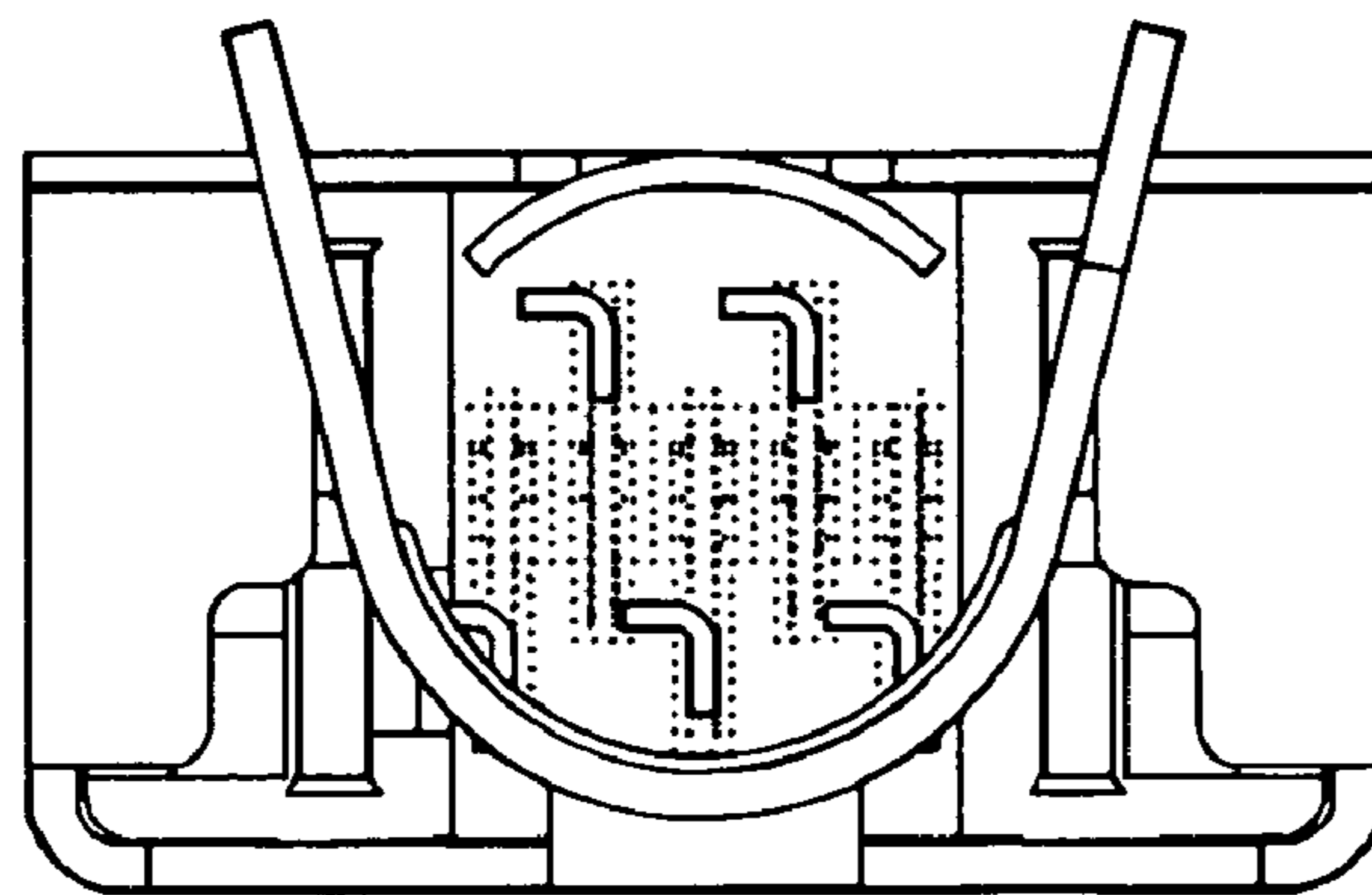


FIG. 4

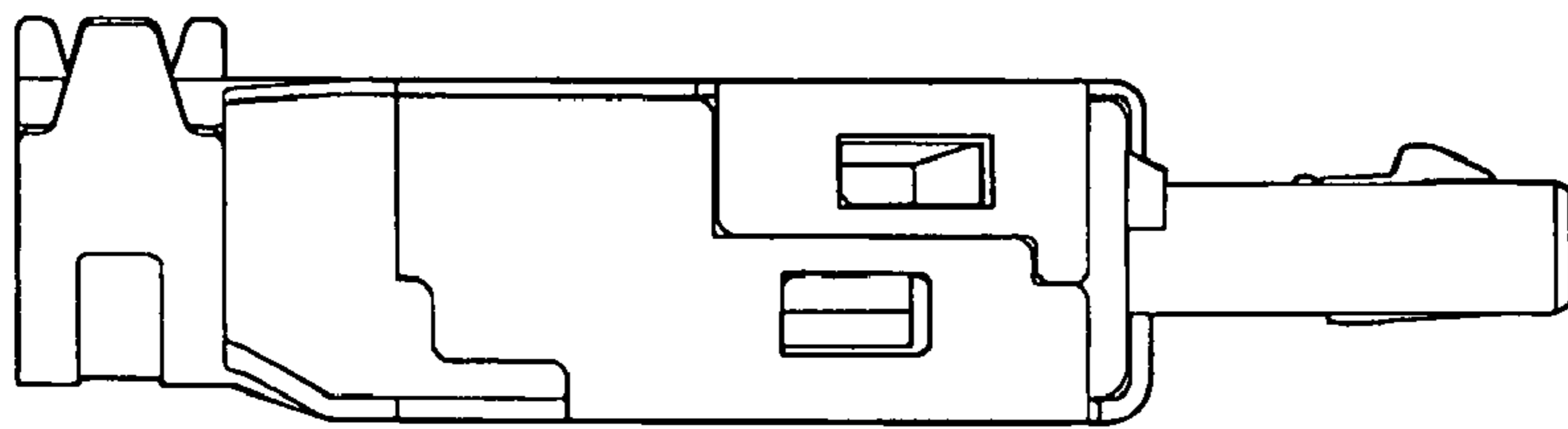


FIG. 5

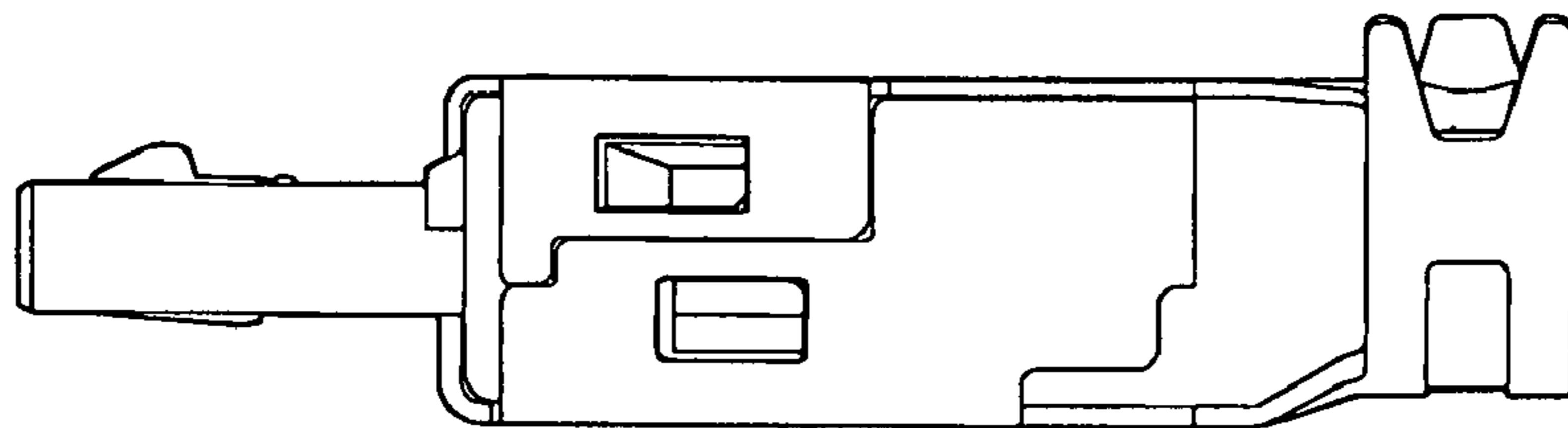


FIG. 6

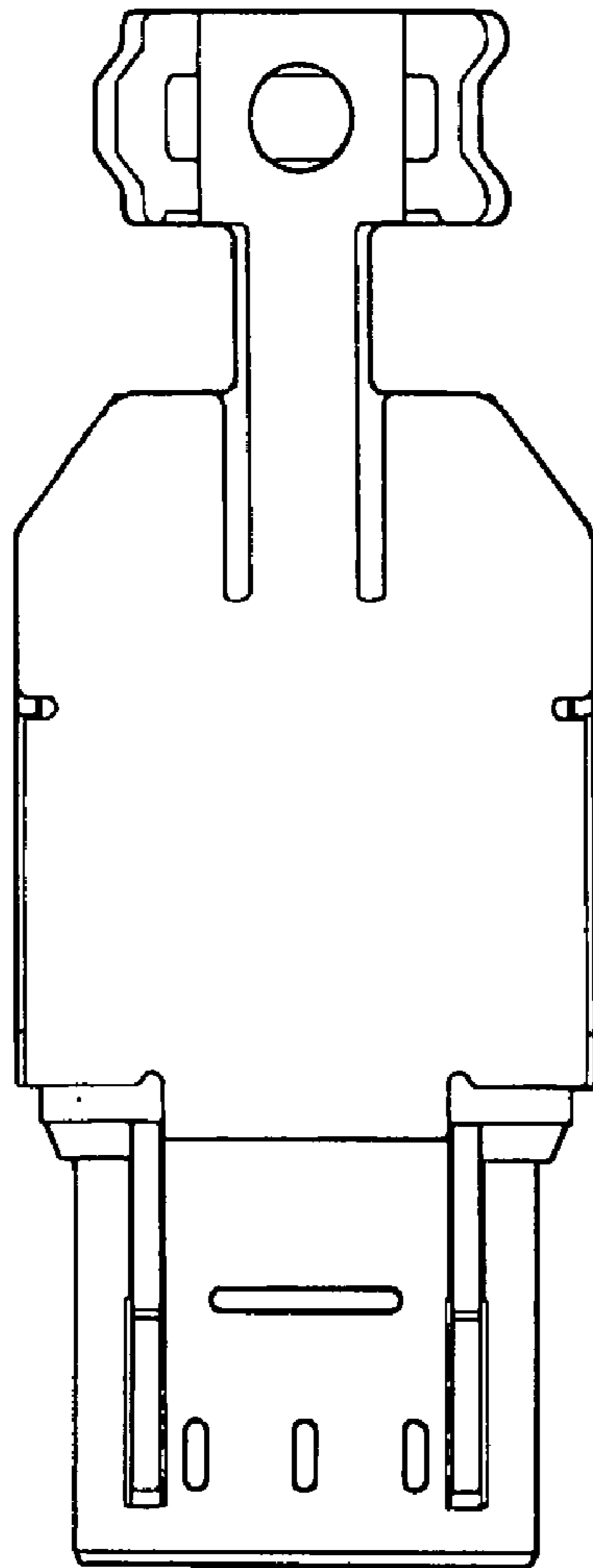


FIG. 7

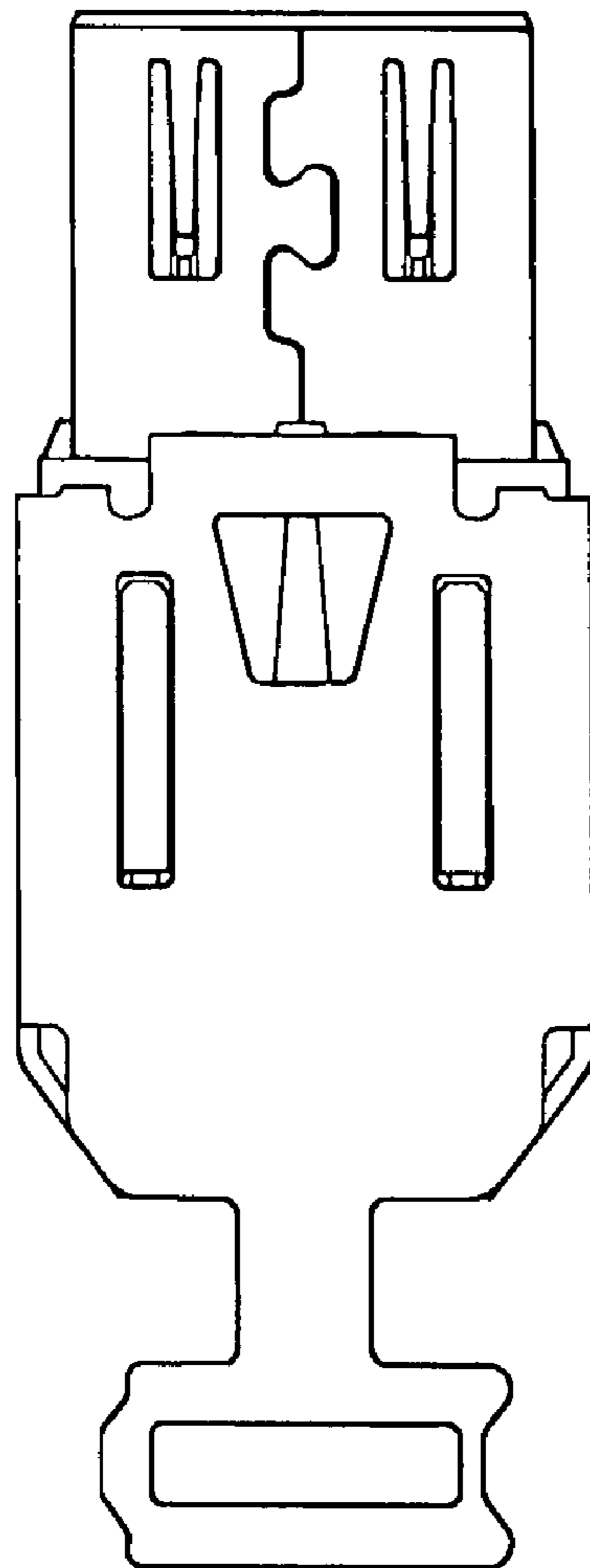


FIG. 8

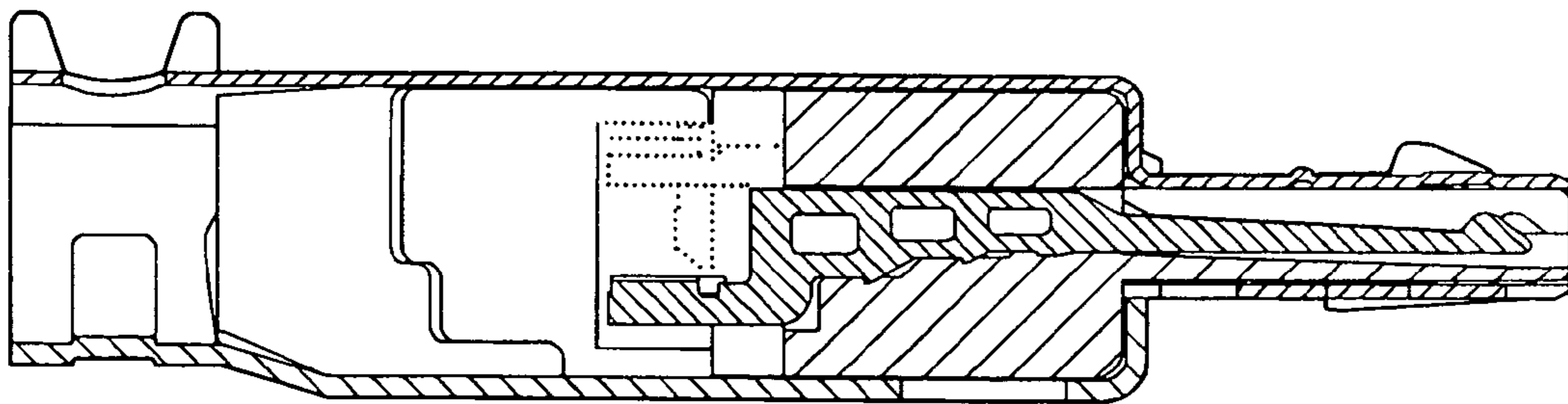


FIG. 9