



US00D584691S

(12) **United States Design Patent**  
**Koyama et al.**

(10) **Patent No.:** **US D584,691 S**  
(45) **Date of Patent:** **\*\* Jan. 13, 2009**

(54) **ELECTRICAL CONNECTOR**

(75) Inventors: **Ryozo Koyama**, Tokyo (JP); **Yousuke Takeuchi**, Tokyo (JP)

(73) Assignee: **Hirose Electric Co., Ltd.**, Tokyo (JP)

(\*\*) Term: **14 Years**

(21) Appl. No.: **29/274,114**

(22) Filed: **Mar. 29, 2007**

(51) **LOC (9) Cl.** ..... **13-03**

(52) **U.S. Cl.** ..... **D13/147**

(58) **Field of Classification Search** ..... D13/133,  
D13/146-147, 154, 184; 439/79, 108, 378,  
439/607-610, 660, 668, 680

See application file for complete search history.

(56) **References Cited**

**U.S. PATENT DOCUMENTS**

D416,231 S *	11/1999	Chiou .....	D13/147
D478,050 S *	8/2003	Nishio et al. ....	D13/147
D522,970 S *	6/2006	Toyota et al. ....	D13/147
D523,400 S *	6/2006	Shang-Yen et al. ....	D13/147
D540,746 S *	4/2007	Watanabe et al. ....	D13/147
D543,151 S *	5/2007	Watanabe et al. ....	D13/147

\* cited by examiner

*Primary Examiner*—Daniel D Bui

(74) *Attorney, Agent, or Firm*—Kubotera & Associates, LLC

(57) **CLAIM**

The ornamental design for an electrical connector, as shown and described.

**DESCRIPTION**

FIG. 1 is a perspective view of an electrical connector showing our new design;

FIG. 2 is a perspective view thereof viewed from a bottom side thereof;

FIG. 3 is a front view thereof;

FIG. 4 is a rear view thereof;

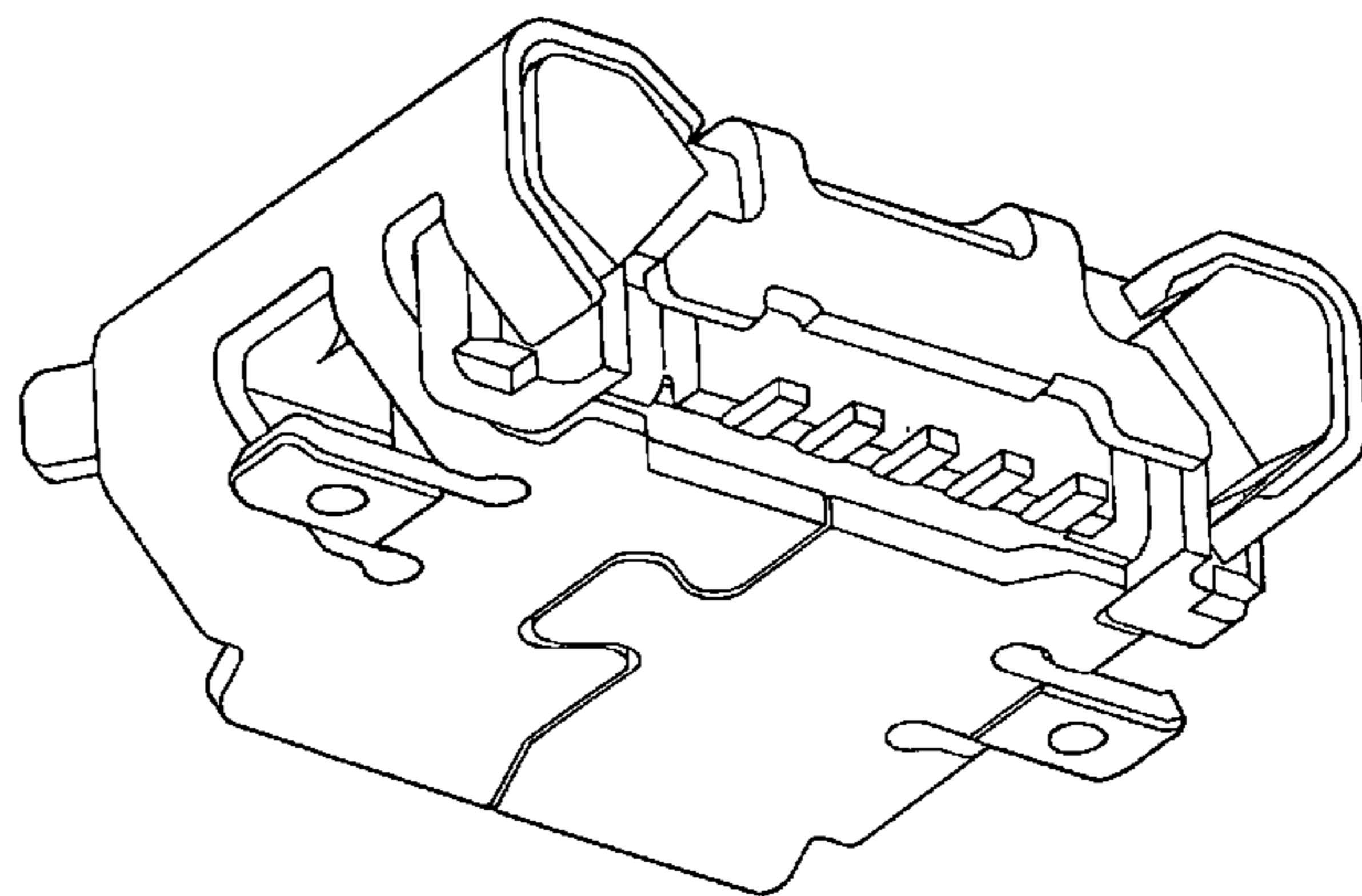
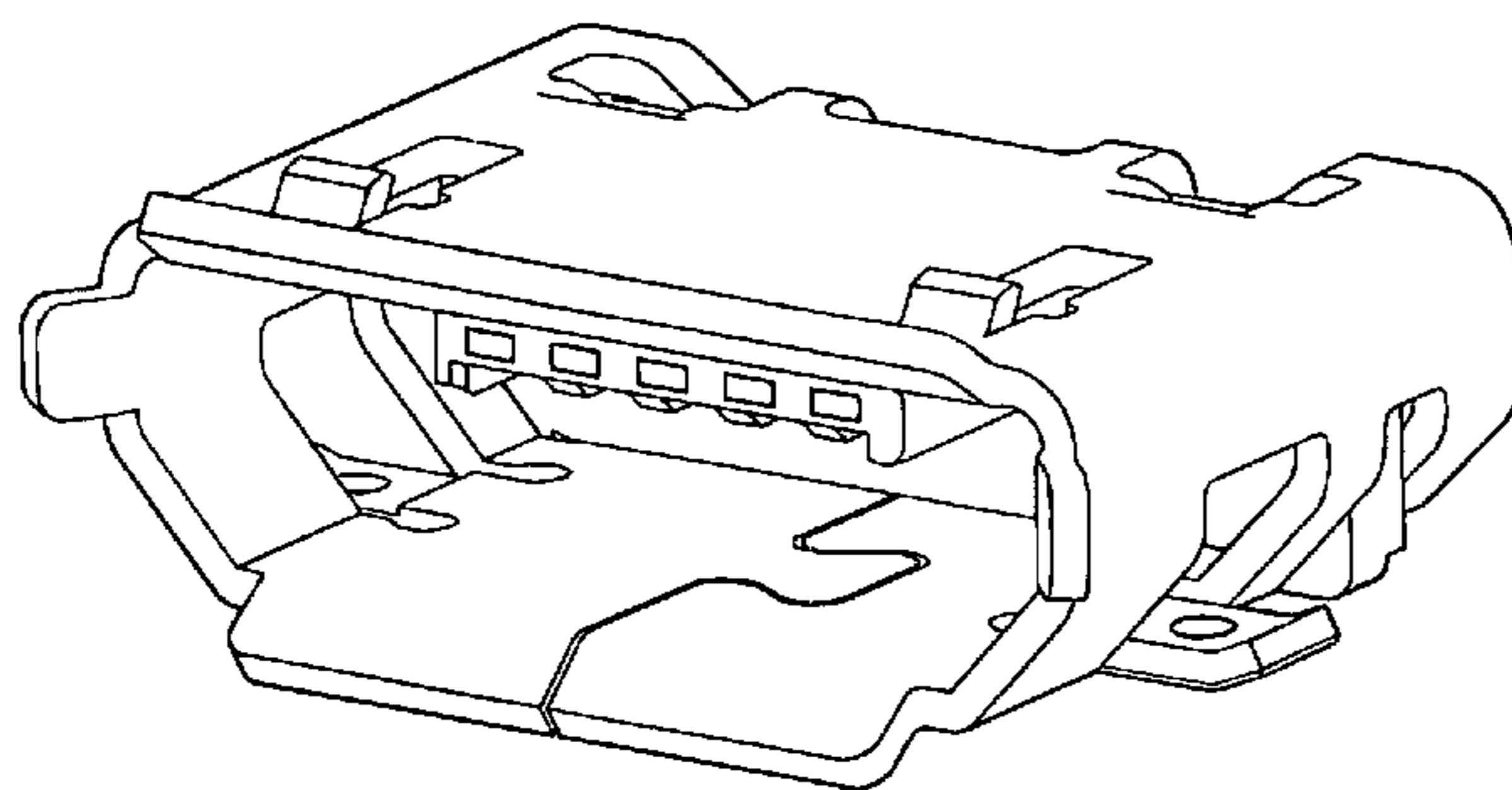
FIG. 5 is a right side view thereof, a left side view being symmetrical to the right side view;

FIG. 6 is a plan view thereof;

FIG. 7 is a bottom view thereof; and,

FIG. 8 is a sectional view thereof taken along a line 8—8 in FIG. 3.

**1 Claim, 4 Drawing Sheets**



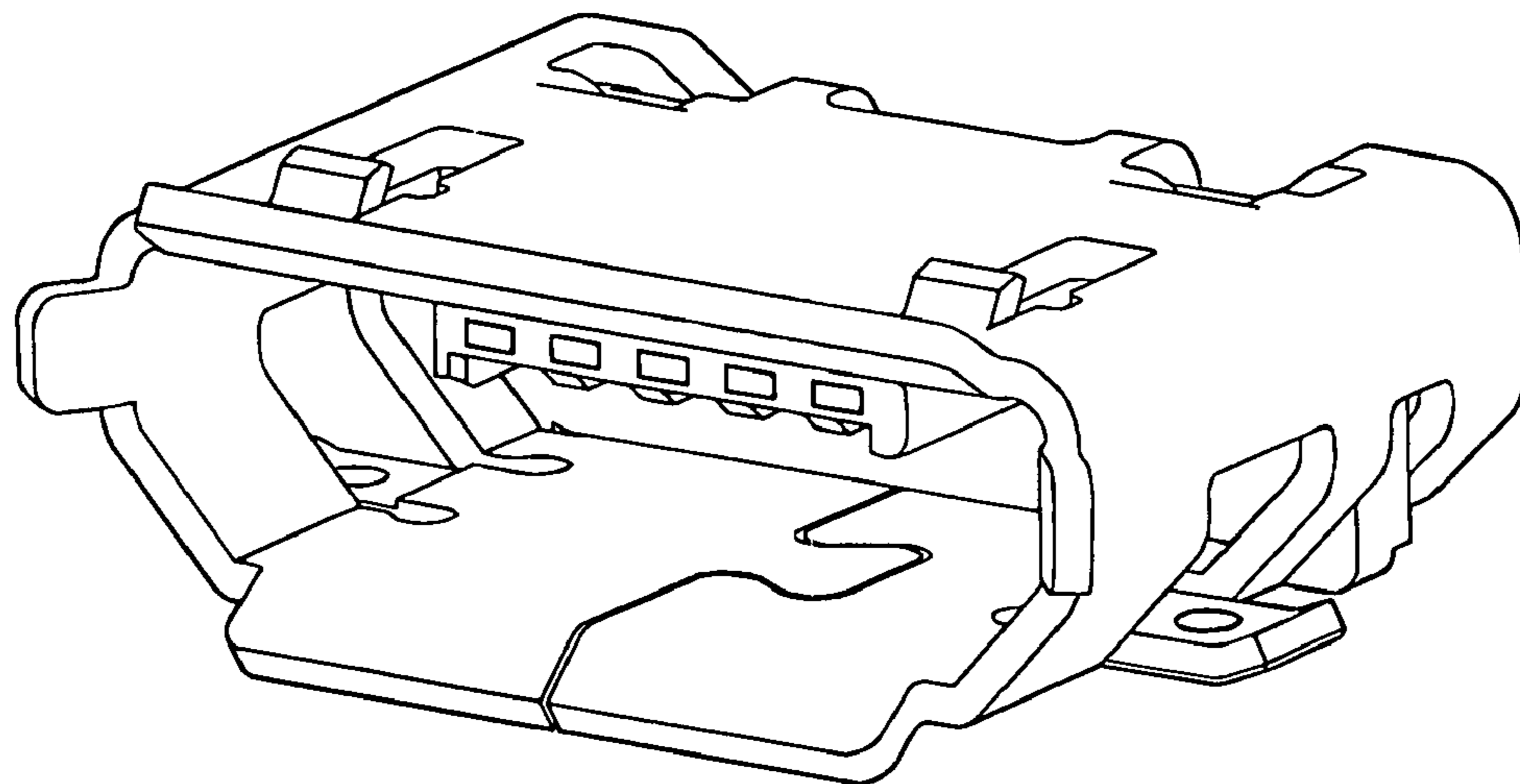


FIG. 1

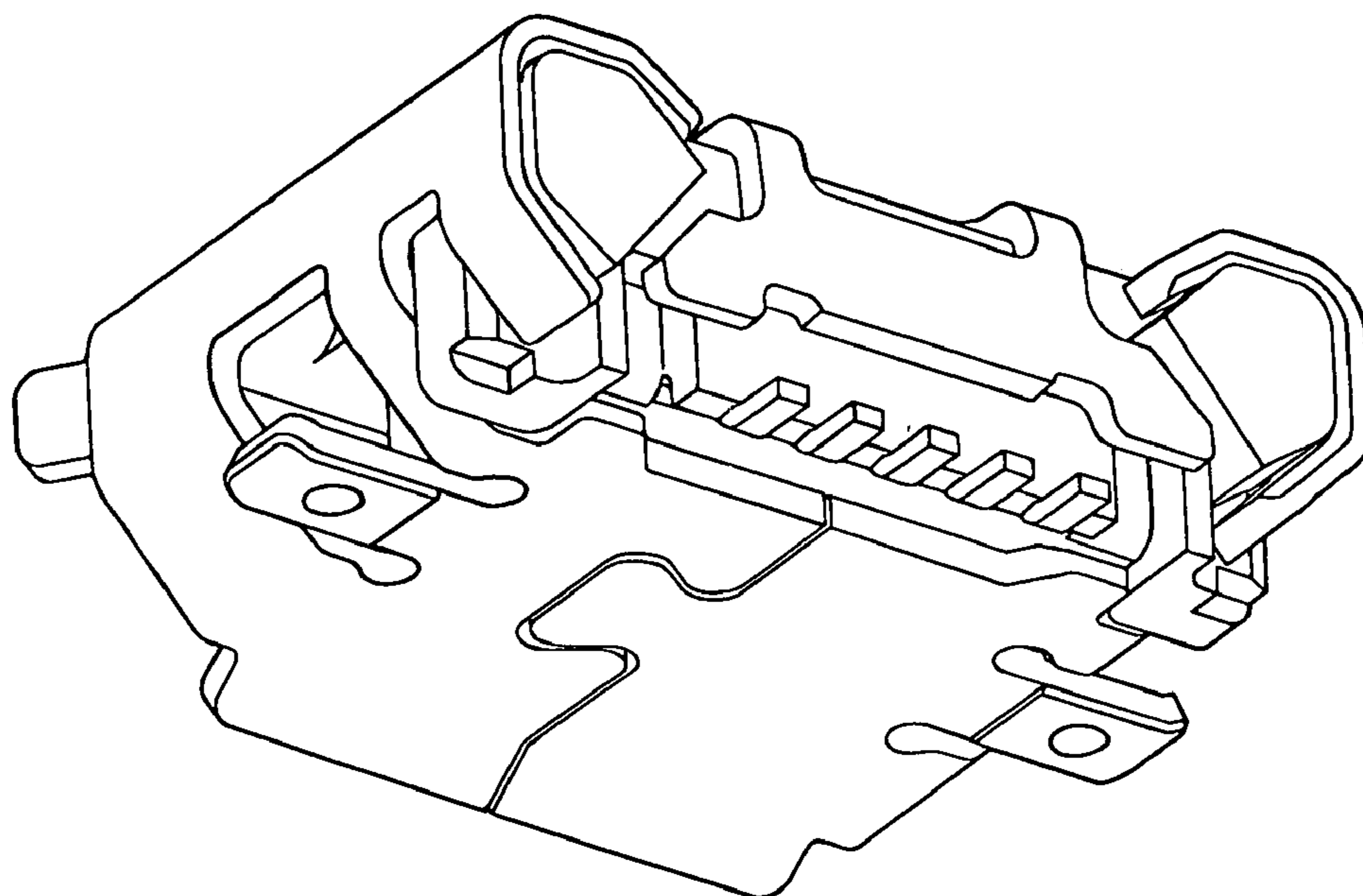


FIG. 2

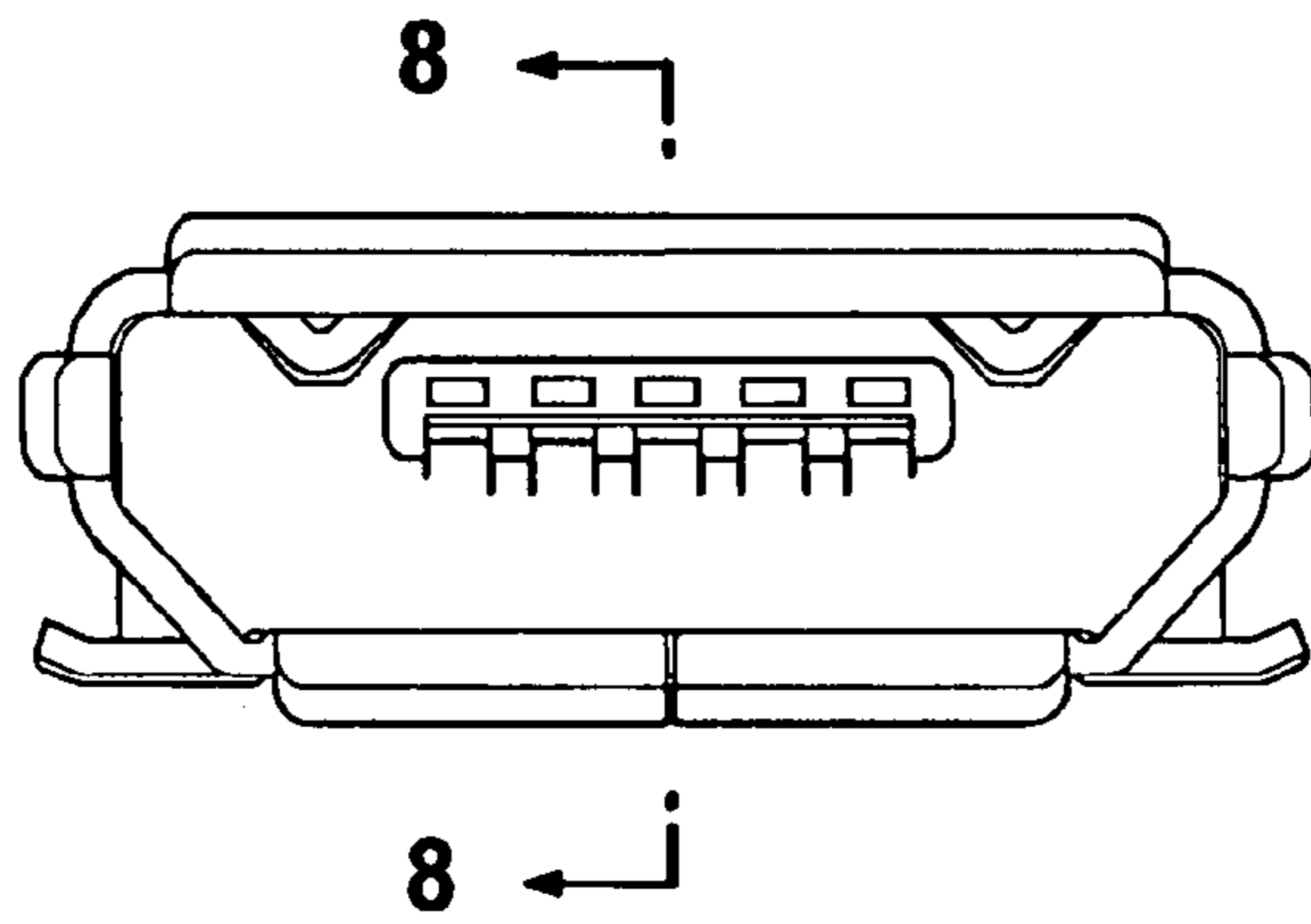


FIG. 3

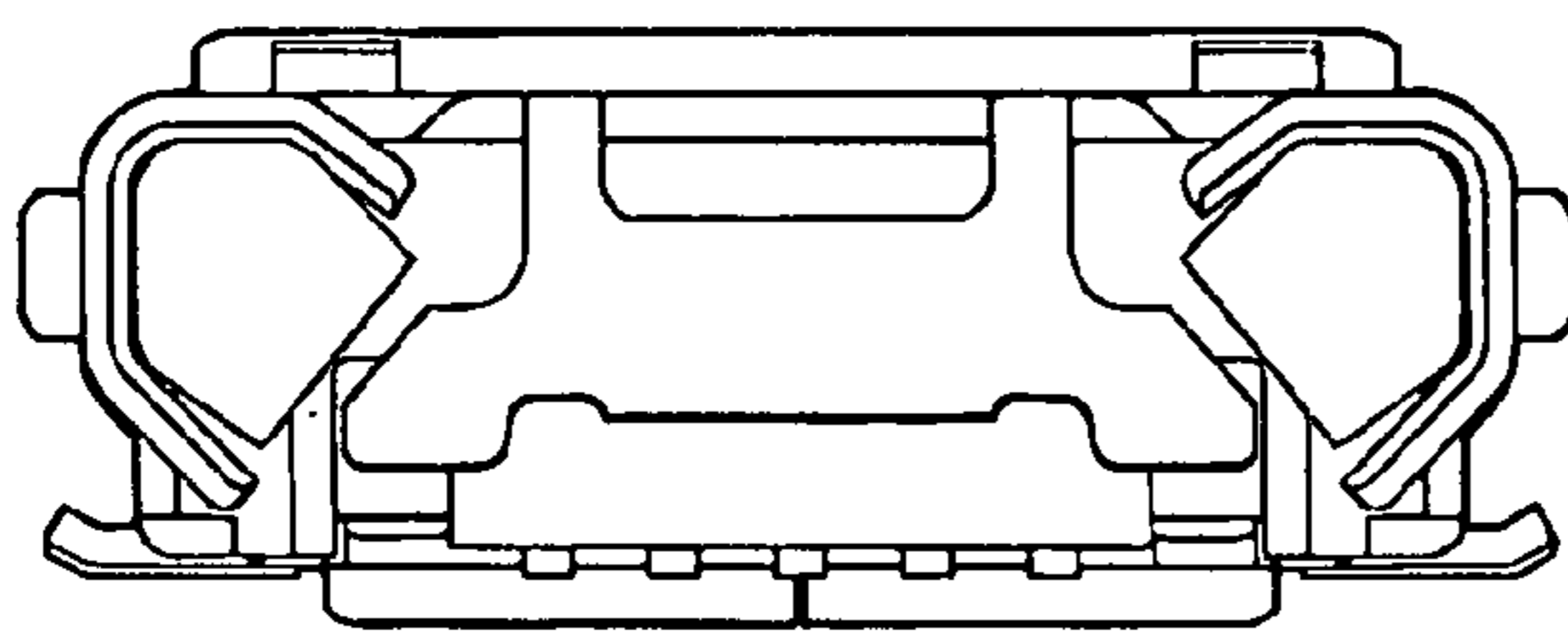


FIG. 4

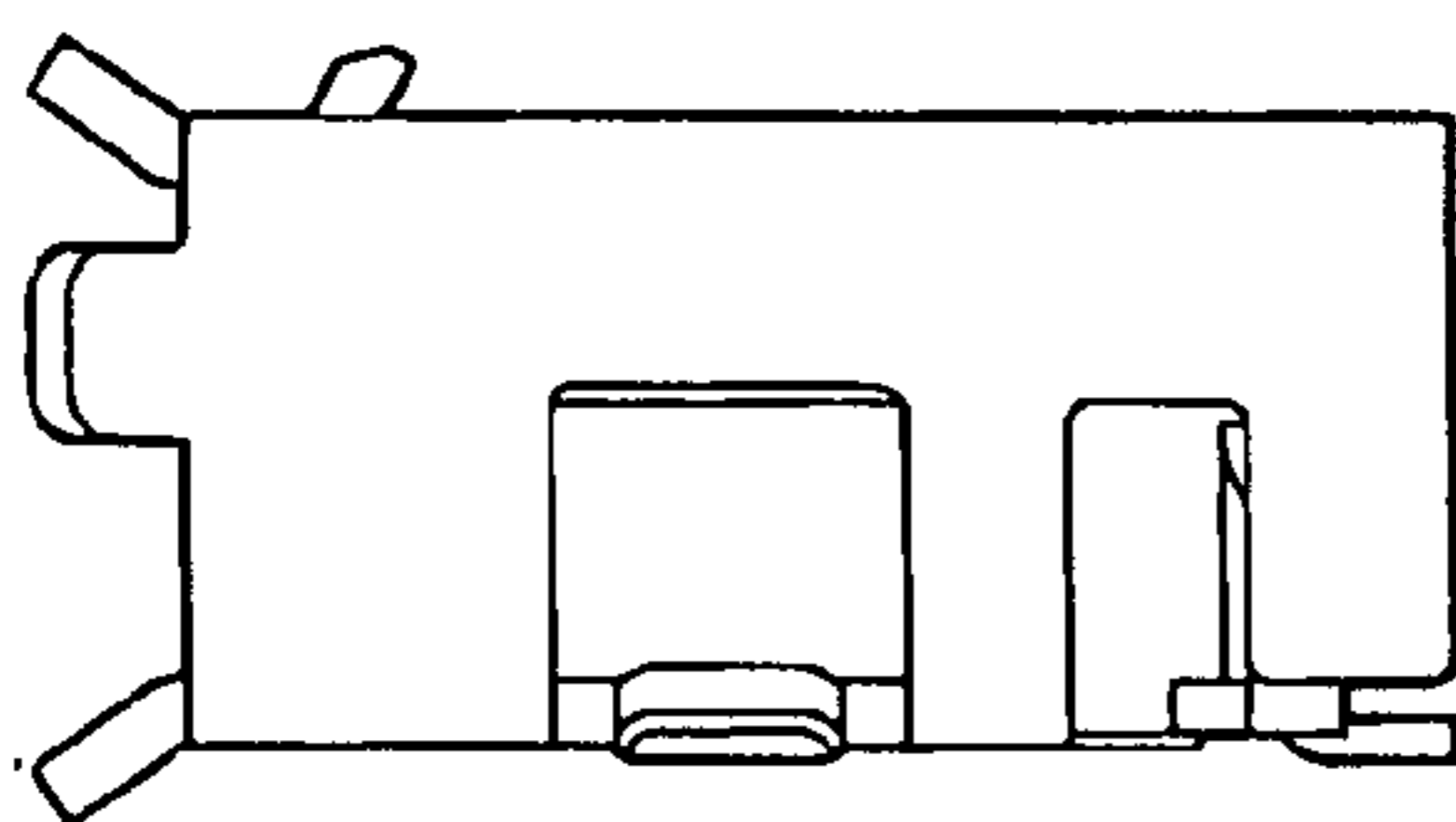
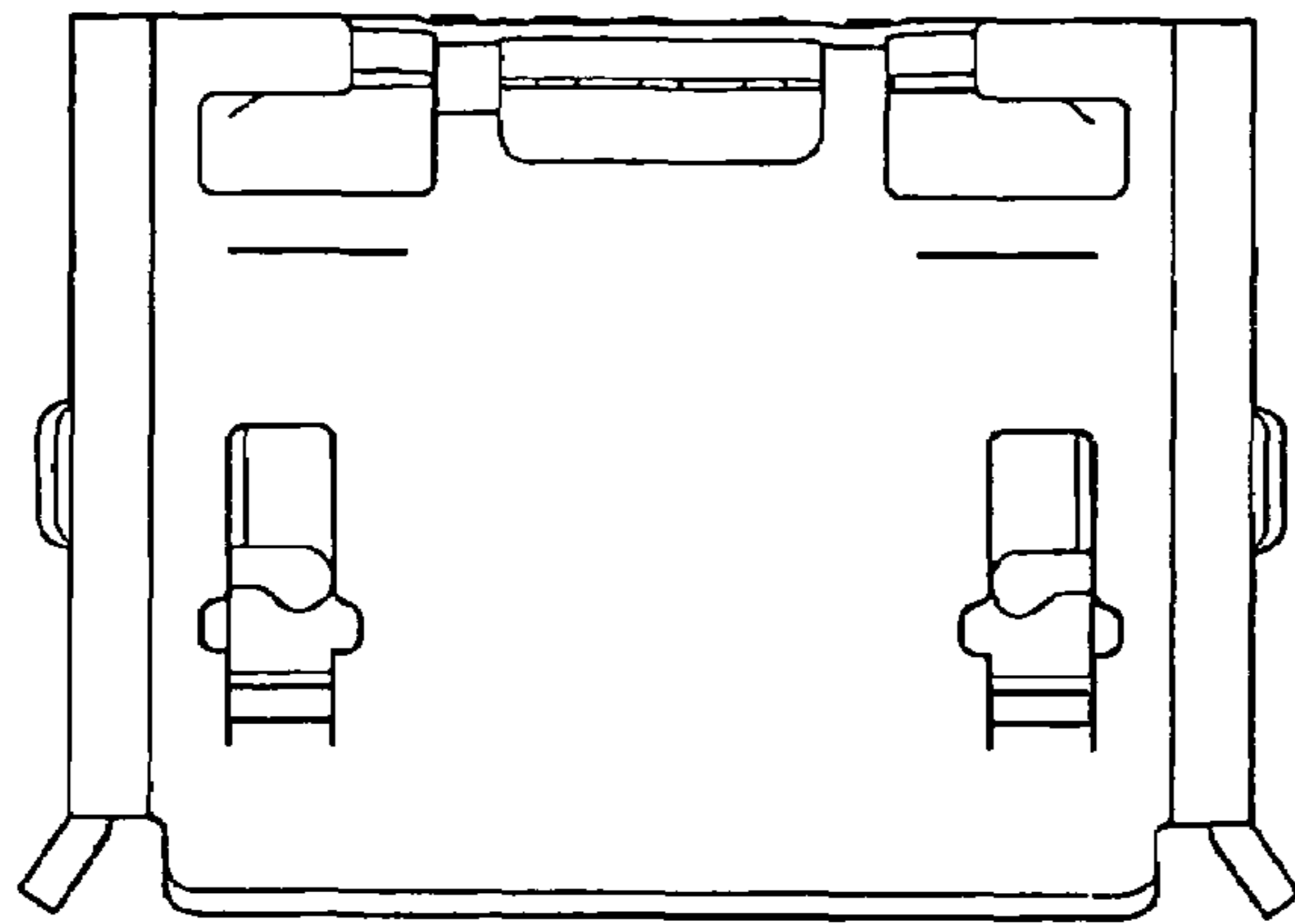
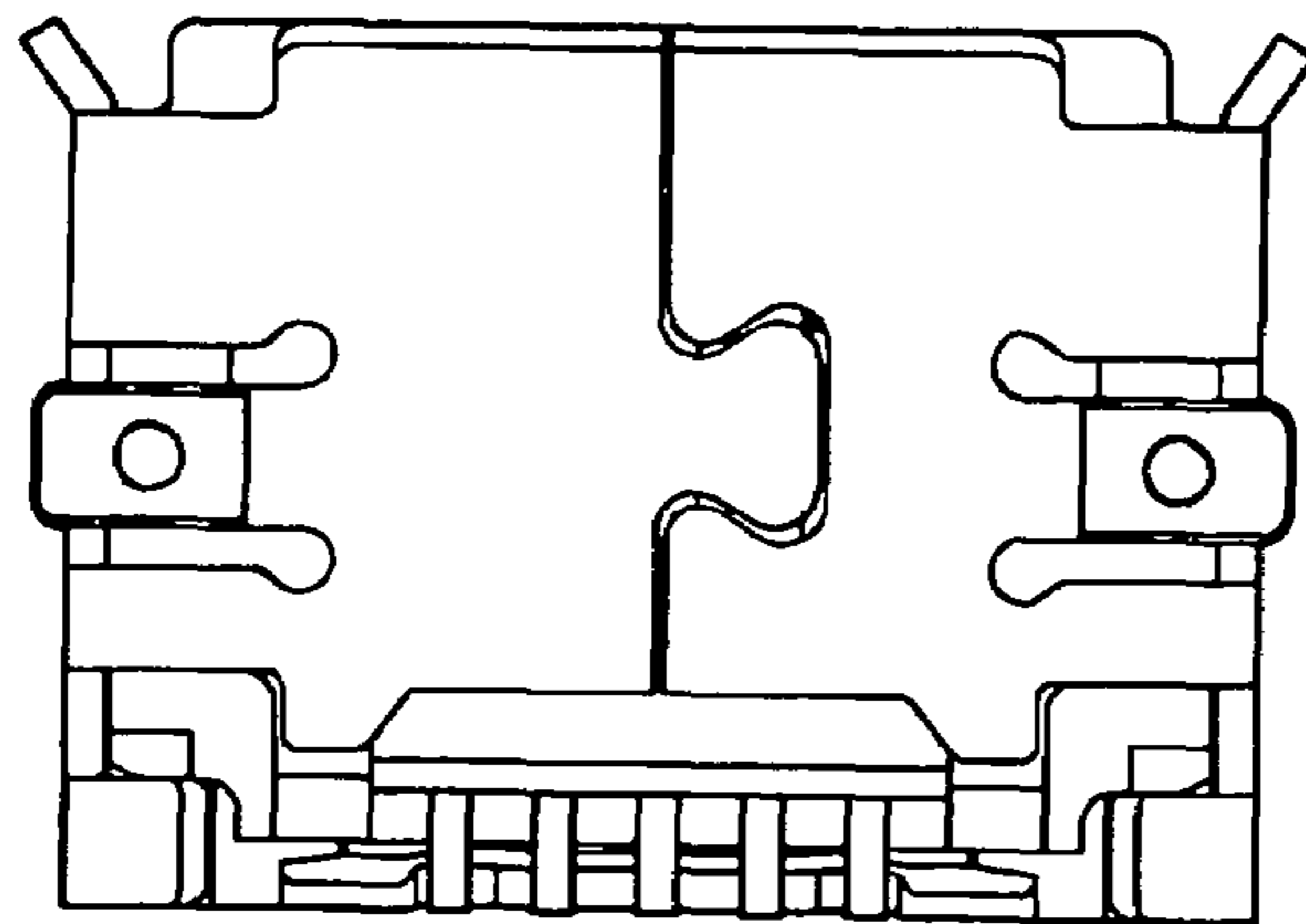


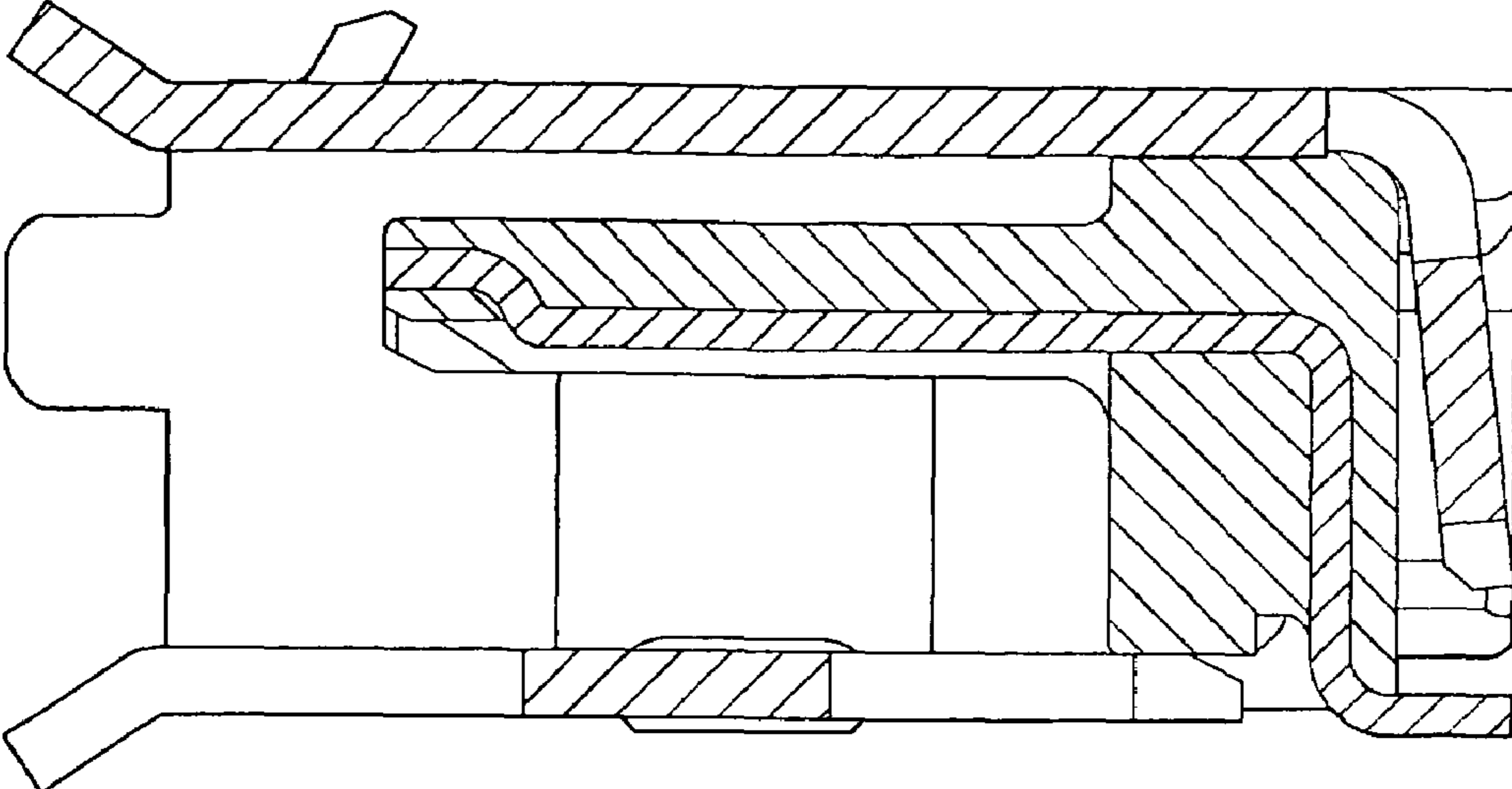
FIG. 5



**FIG. 6**



**FIG. 7**



**FIG. 8**