



US00D584690S

(12) **United States Design Patent**
Hsiung

(10) **Patent No.:** **US D584,690 S**
(45) **Date of Patent:** **** Jan. 13, 2009**

(54) **APPLIANCE LEAKAGE CURRENT INTERRUPTER**

(75) Inventor: **Koo Man Hsiung**, Kowloon (HK)

(73) Assignee: **Jade Charm Industrial Limited**, Hong Kong (HK)

(**) Term: **14 Years**

(21) Appl. No.: **29/297,882**

(22) Filed: **Nov. 21, 2007**

(51) **LOC (9) Cl.** **13-03**

(52) **U.S. Cl.** **D13/138.1**

(58) **Field of Classification Search** D13/139.1, D13/139.2, 139.3, 139.4, 139.5, 139.6, 139.7, D13/139.8, 138.1, 138.2, 123, 133, 137.1, D13/137.2, 184, 137.3, 137.4, 124, 160, 162, D13/164, 178, 154, 156, 107, 110, 145; D14/433, D14/256; D8/350, 353; 174/53, 55, 56, 174/59, 66, 494, 153 G, 152 G, 154, 167, 174/168, 650, 656; 439/101, 105, 43, 53, 439/374, 894, 46, 55, 63, 92, 93, 95, 102, 439/106, 107, 108, 135, 149, 222, 266, 285, 439/291, 300, 344, 373, 535, 620.21, 638, 439/660, 907, 650, 651, 652, 653, 654
See application file for complete search history.

(56) **References Cited**

U.S. PATENT DOCUMENTS

4,071,872 A * 1/1978 Phillips, Jr. 361/56
D270,628 S * 9/1983 Bobrovniczky D13/138.2
D325,380 S * 4/1992 Rao et al. D13/160

D338,188 S * 8/1993 Lee et al. D13/110
D356,066 S * 3/1995 Rao et al. D13/138.1
D360,401 S * 7/1995 Chen D13/138.1
D364,826 S * 12/1995 Wu D10/75
5,862,029 A * 1/1999 Nicol 361/42
D414,747 S * 10/1999 Aromin D13/160
D434,010 S * 11/2000 Stekelenburg D13/160
D451,481 S * 12/2001 MacKay D13/160
D579,881 S * 11/2008 Aromin D13/160
2008/0094764 A1 * 4/2008 Zhang et al. 361/42

* cited by examiner

Primary Examiner—Jennifer Rivard

Assistant Examiner—Angela J Lee

(74) *Attorney, Agent, or Firm*—Young & Thompson

(57) **CLAIM**

The ornamental design for an appliance leakage current interrupter, as shown.

DESCRIPTION

FIG. 1 is a top, front and side perspective view of an appliance leakage current interrupter, showing my new design;

FIG. 2 is a front elevational view thereof;

FIG. 3 is a side elevational view thereof from the right of FIG. 2;

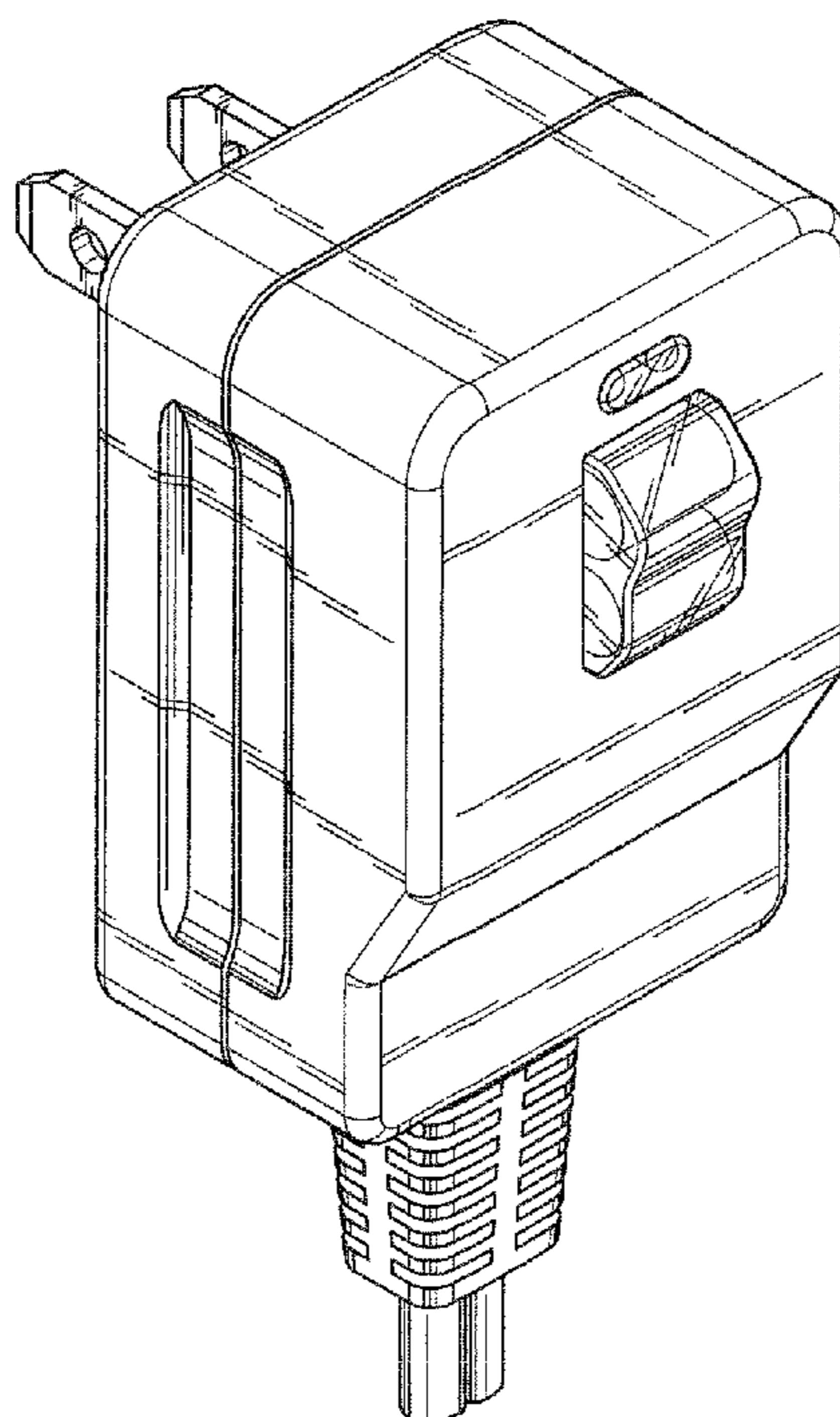
FIG. 4 is a top plan view thereof;

FIG. 5 is a side elevational view thereof from the left of FIG. 2;

FIG. 6 is a rear elevational view thereof; and,

FIG. 7 is a bottom plan view thereof.

1 Claim, 3 Drawing Sheets



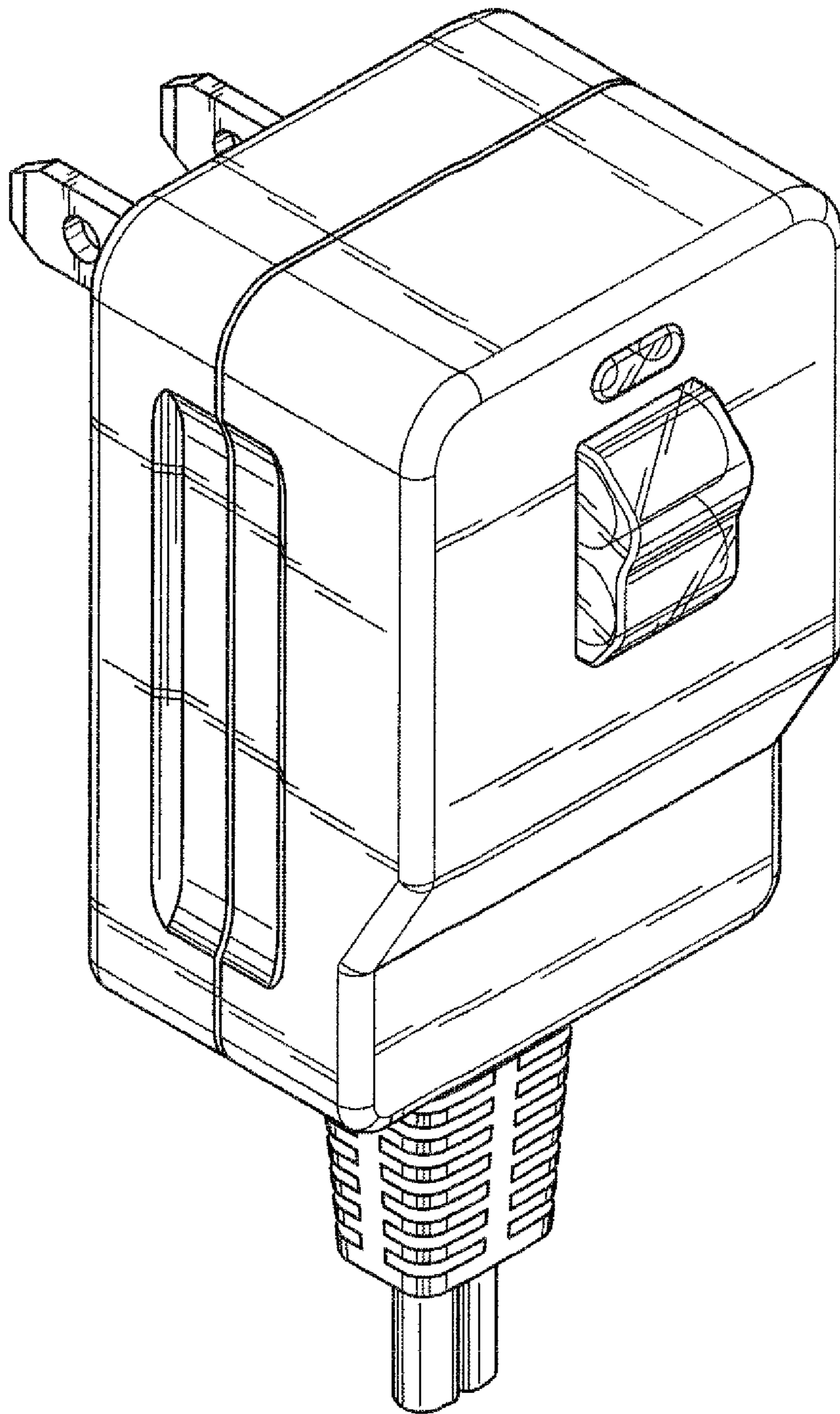


FIG. 1

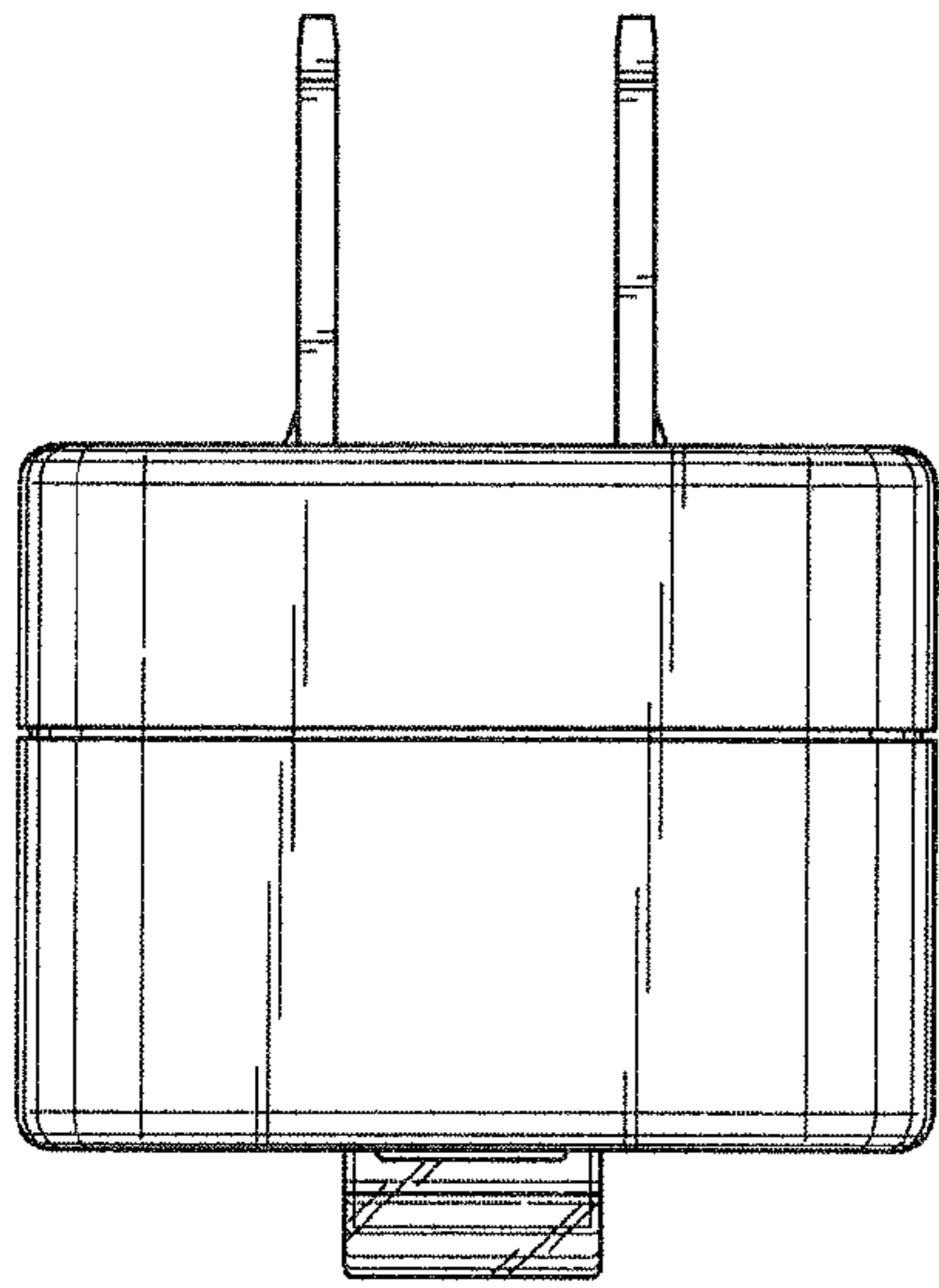


FIG. 4

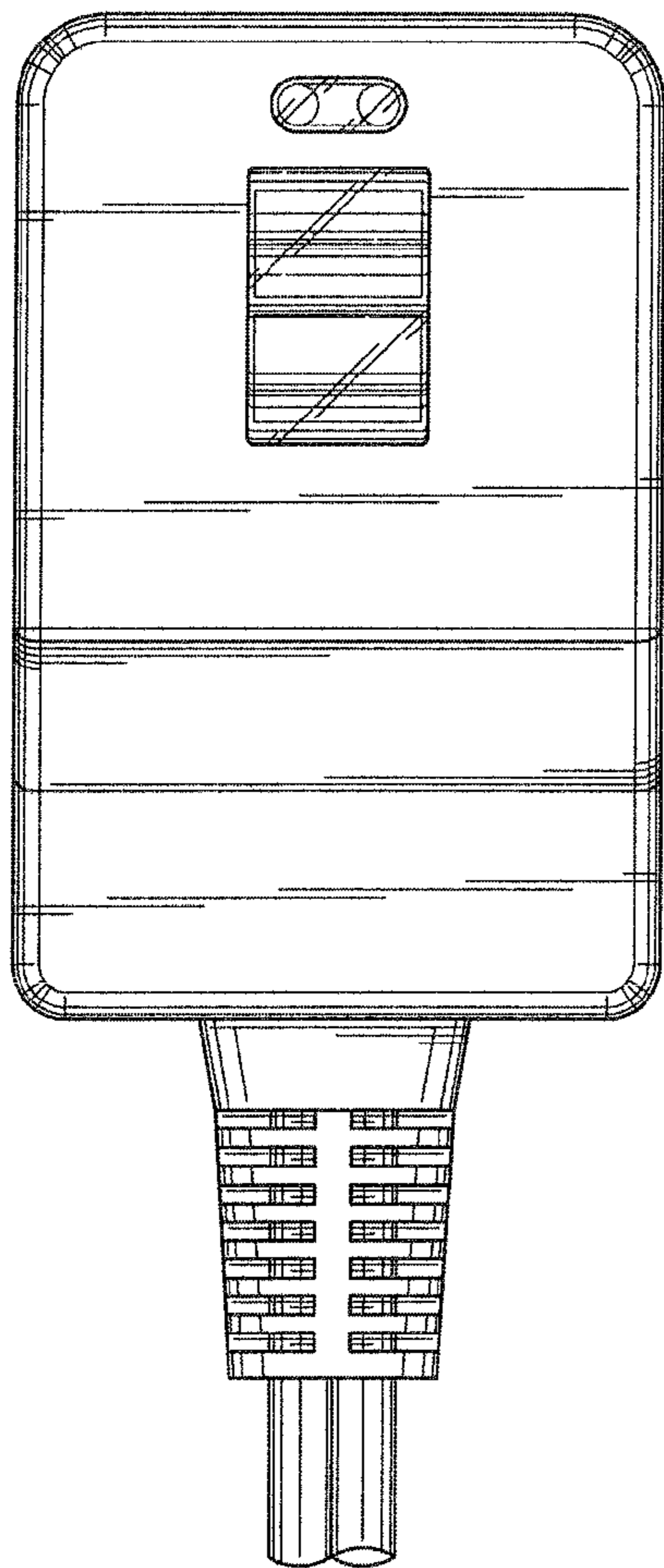


FIG. 2

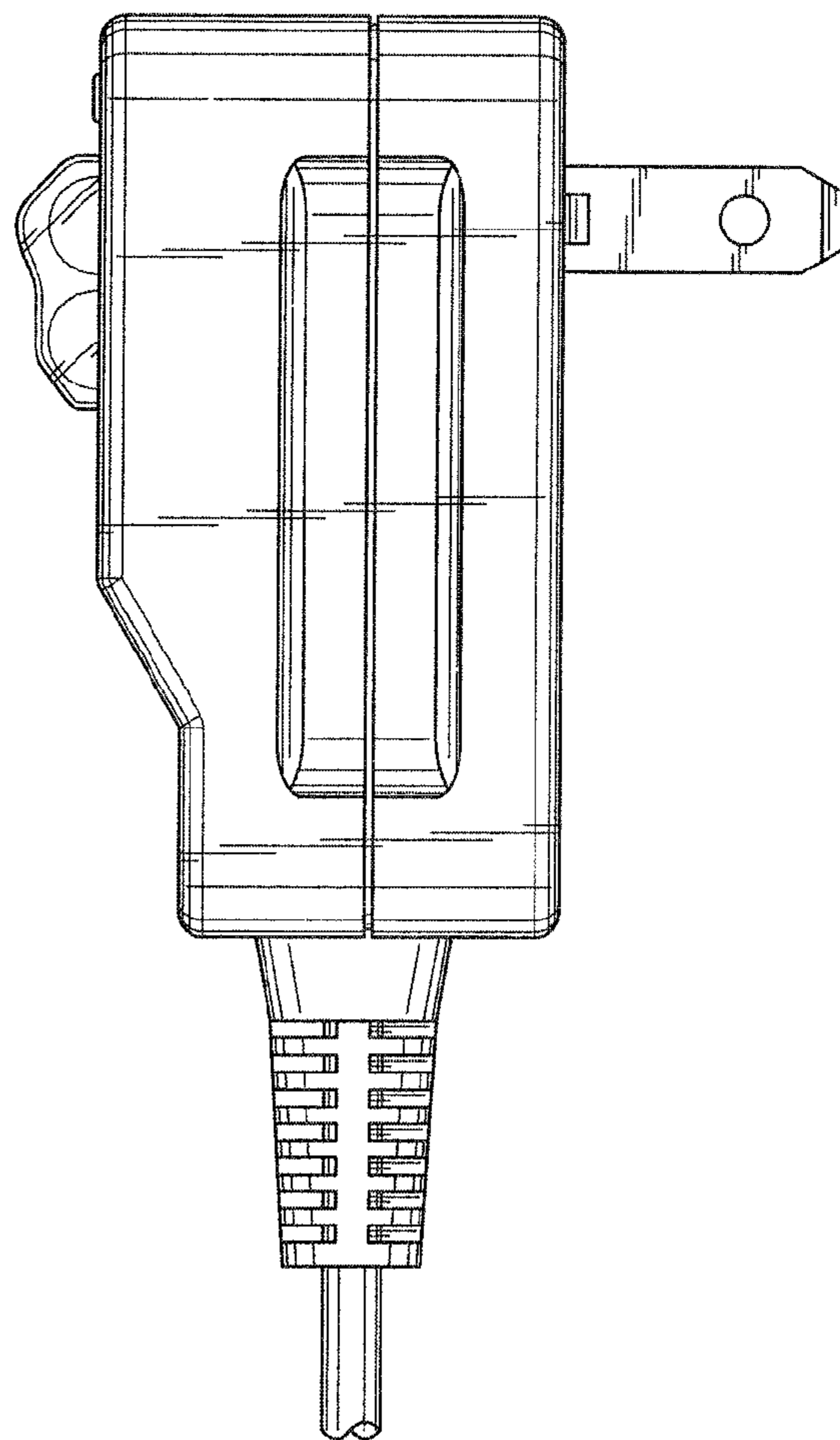


FIG. 3

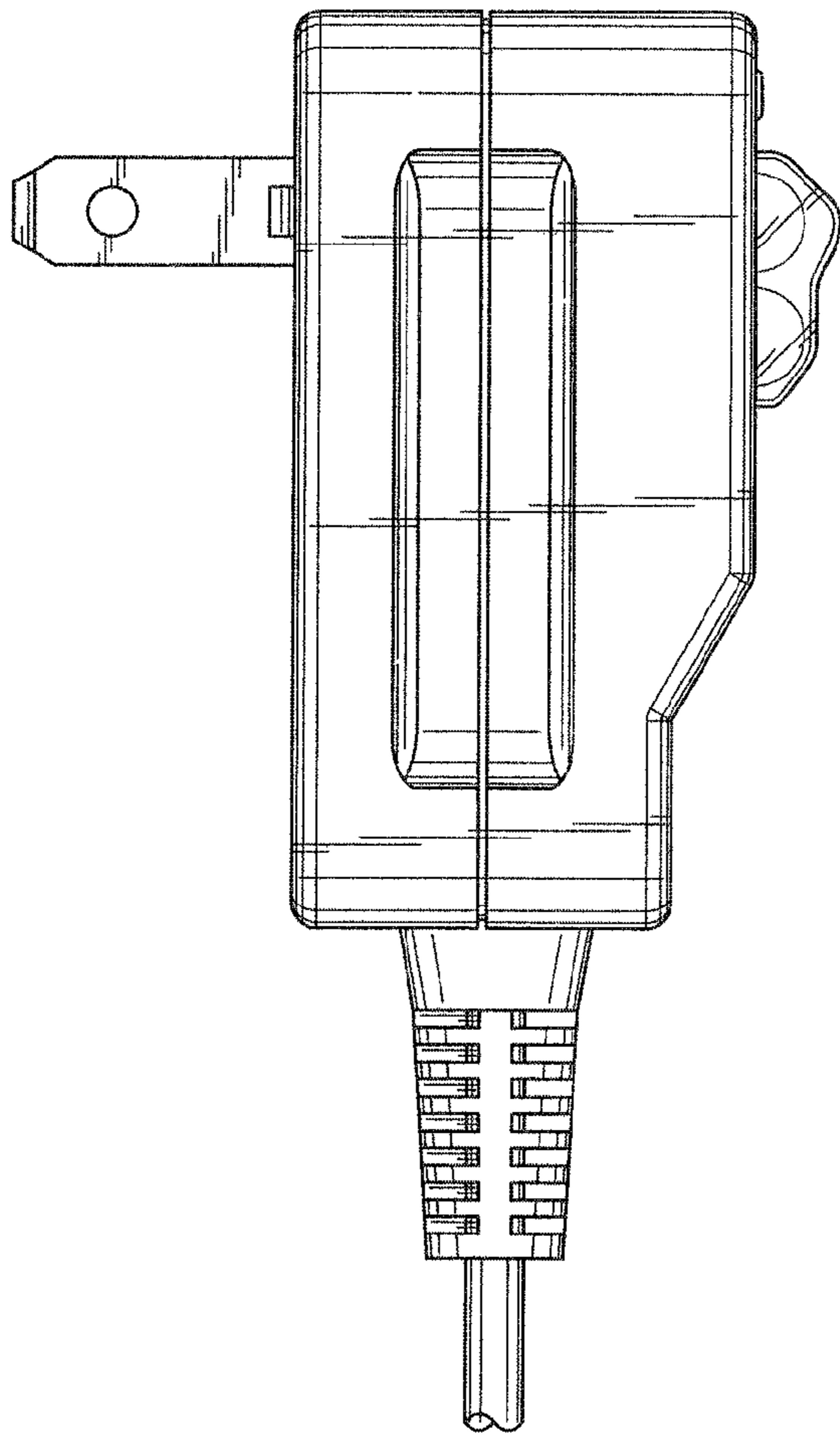


FIG. 5

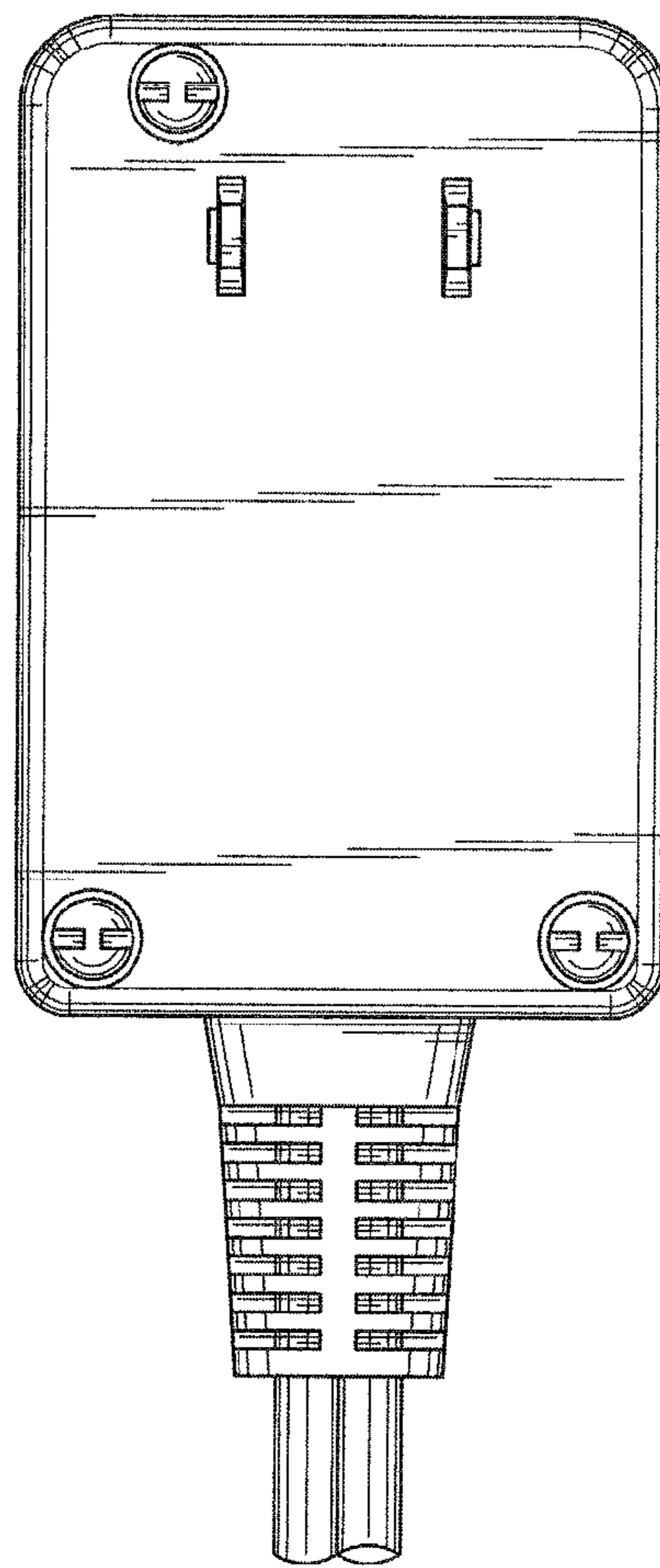


FIG. 6

FIG. 7

