



US00D584687S

(12) **United States Design Patent**
Kuo

(10) **Patent No.:** **US D584,687 S**

(45) **Date of Patent:** **** Jan. 13, 2009**

(54) **COIL AXLE FOR A RELAY**

(75) Inventor: **Ming-Chang Kuo**, Changhua (TW)

(73) Assignee: **Excel Cell Electronics Co., Ltd.**,
Taichung (TW)

(**) Term: **14 Years**

(21) Appl. No.: **29/284,692**

(22) Filed: **Sep. 13, 2007**

(51) **LOC (9) Cl.** **13-01**

(52) **U.S. Cl.** **D13/117**

(58) **Field of Classification Search** D13/117,
D13/113, 122, 184, 199; D15/5, 141, 143,
D15/199; 74/6, 421 A; 123/634, 635; 310/89,
310/164, 194

See application file for complete search history.

(56) **References Cited**

U.S. PATENT DOCUMENTS

D215,324 S *	9/1969	Fleming	D15/141
D250,184 S *	11/1978	Fujita et al.	D13/159
D451,469 S *	12/2001	Tripp	D13/117
D513,492 S *	1/2006	Redfield	D13/122

* cited by examiner

Primary Examiner—Prabhakar Deshmukh

Assistant Examiner—Derrick Holland

(74) *Attorney, Agent, or Firm*—Banner & Witcoff, Ltd.

(57) **CLAIM**

The ornamental design for coil axle for a relay, as shown and described.

DESCRIPTION

FIG. 1 is a perspective view of coil axle for a relay showing my new design;

FIG. 2 is a front elevational view thereof;

FIG. 3 is a rear elevational view thereof;

FIG. 4 is a left side elevational view thereof;

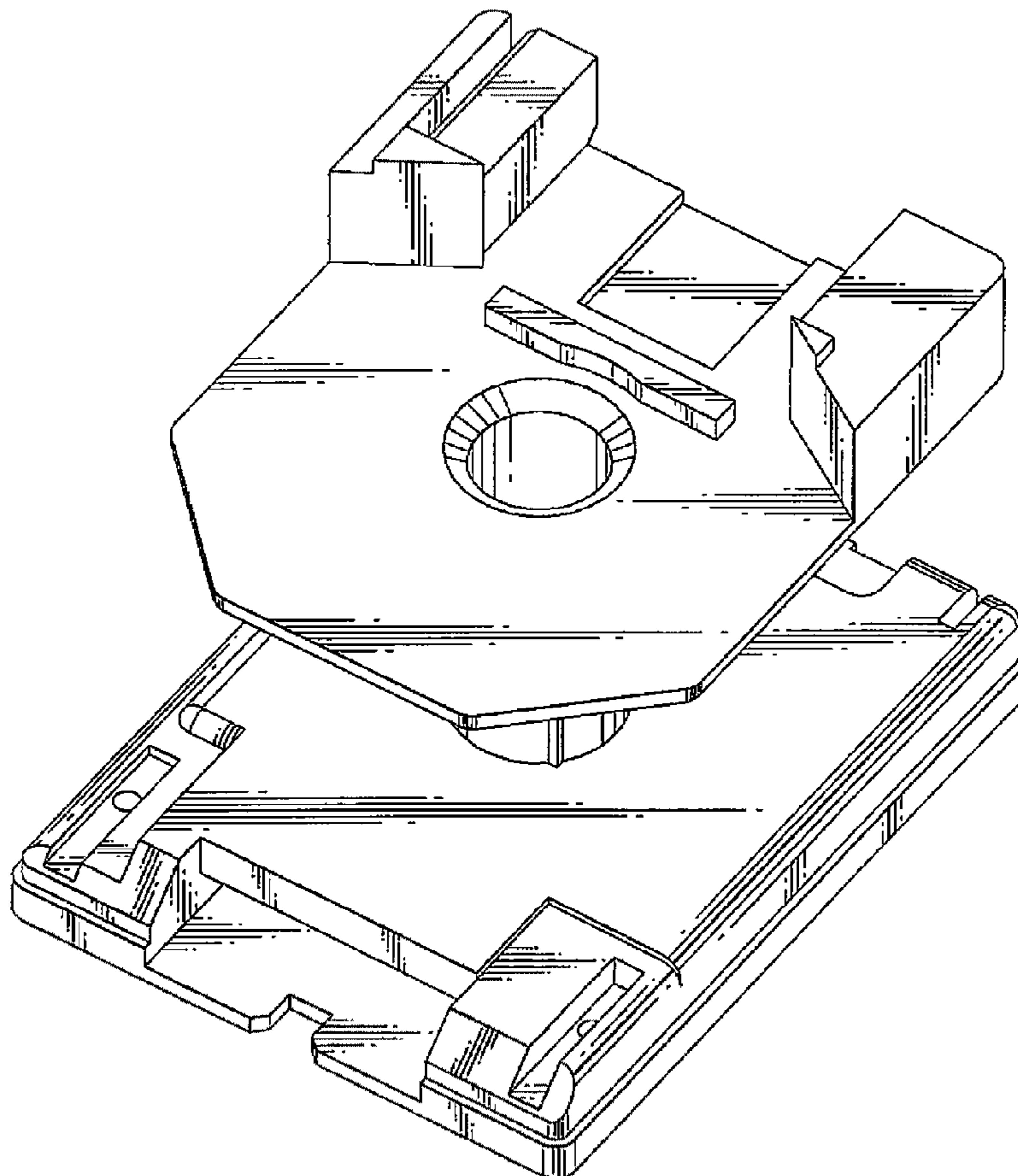
FIG. 5 is a right side elevational view thereof;

FIG. 6 is a top plan view thereof; and,

FIG. 7 is a bottom plan view thereof.

The broken lines showing circular elements in FIG. 7 is for environmental purpose only and forms no part of the claimed design.

1 Claim, 5 Drawing Sheets



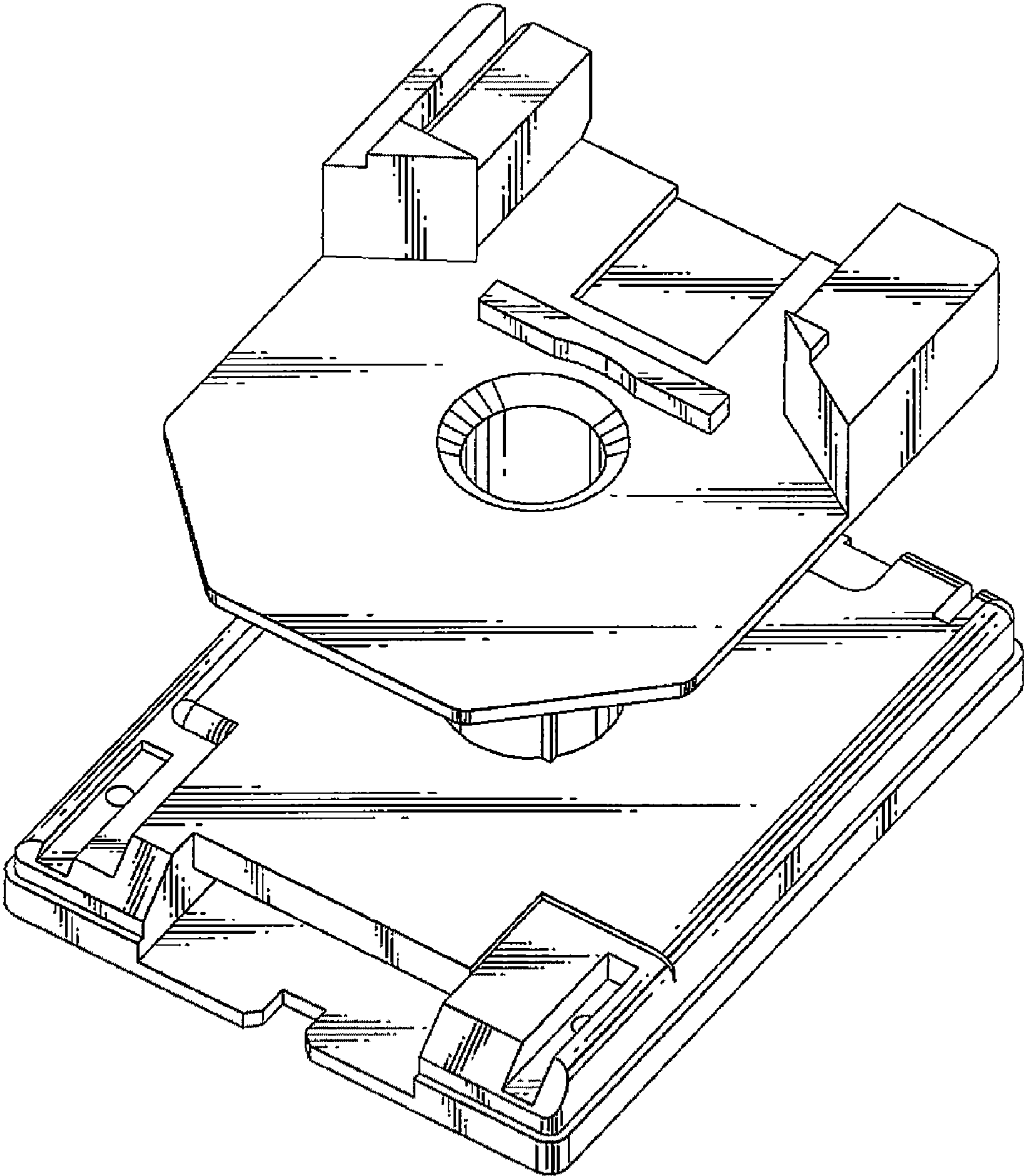


FIG. 1

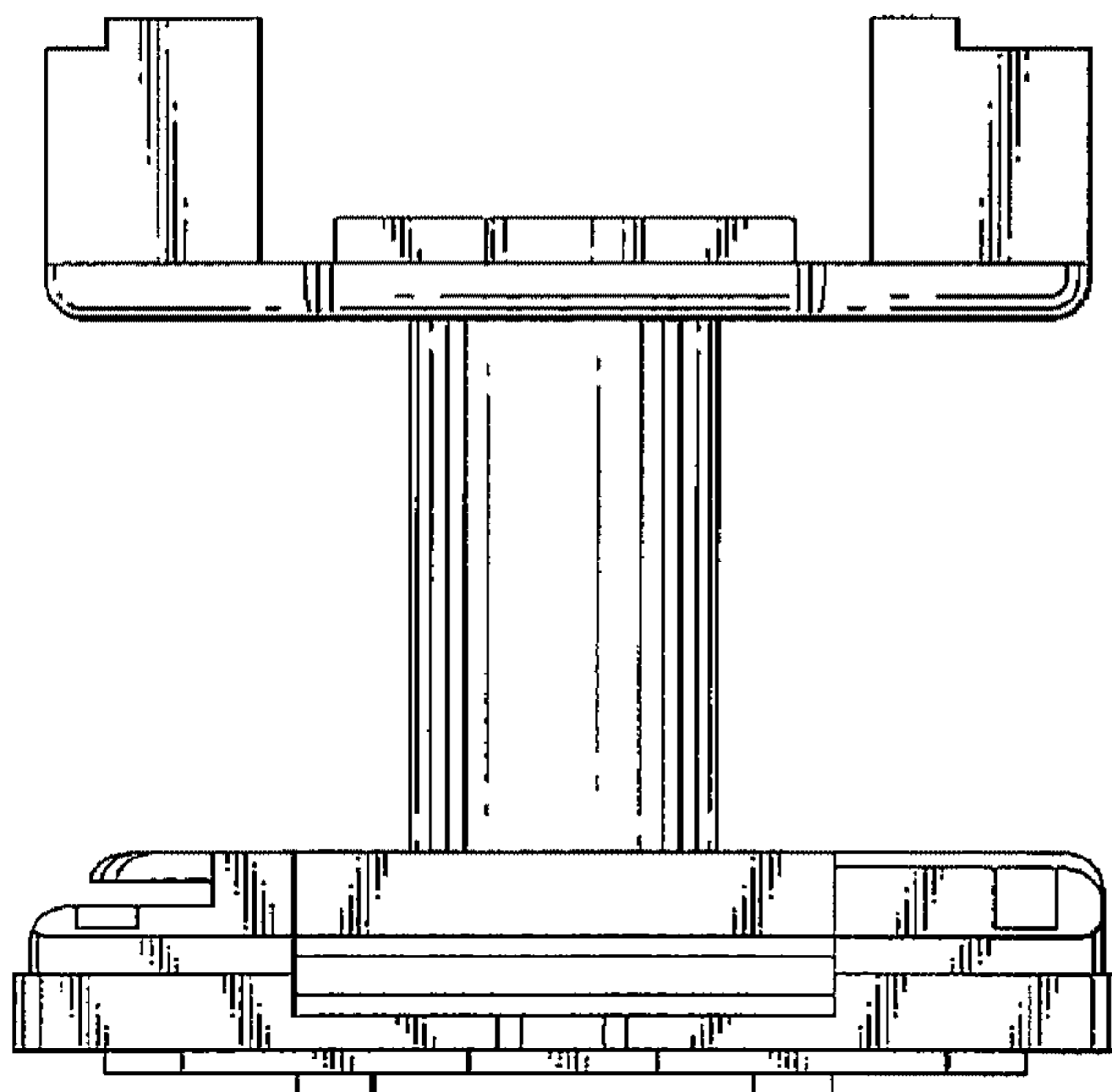


FIG. 2

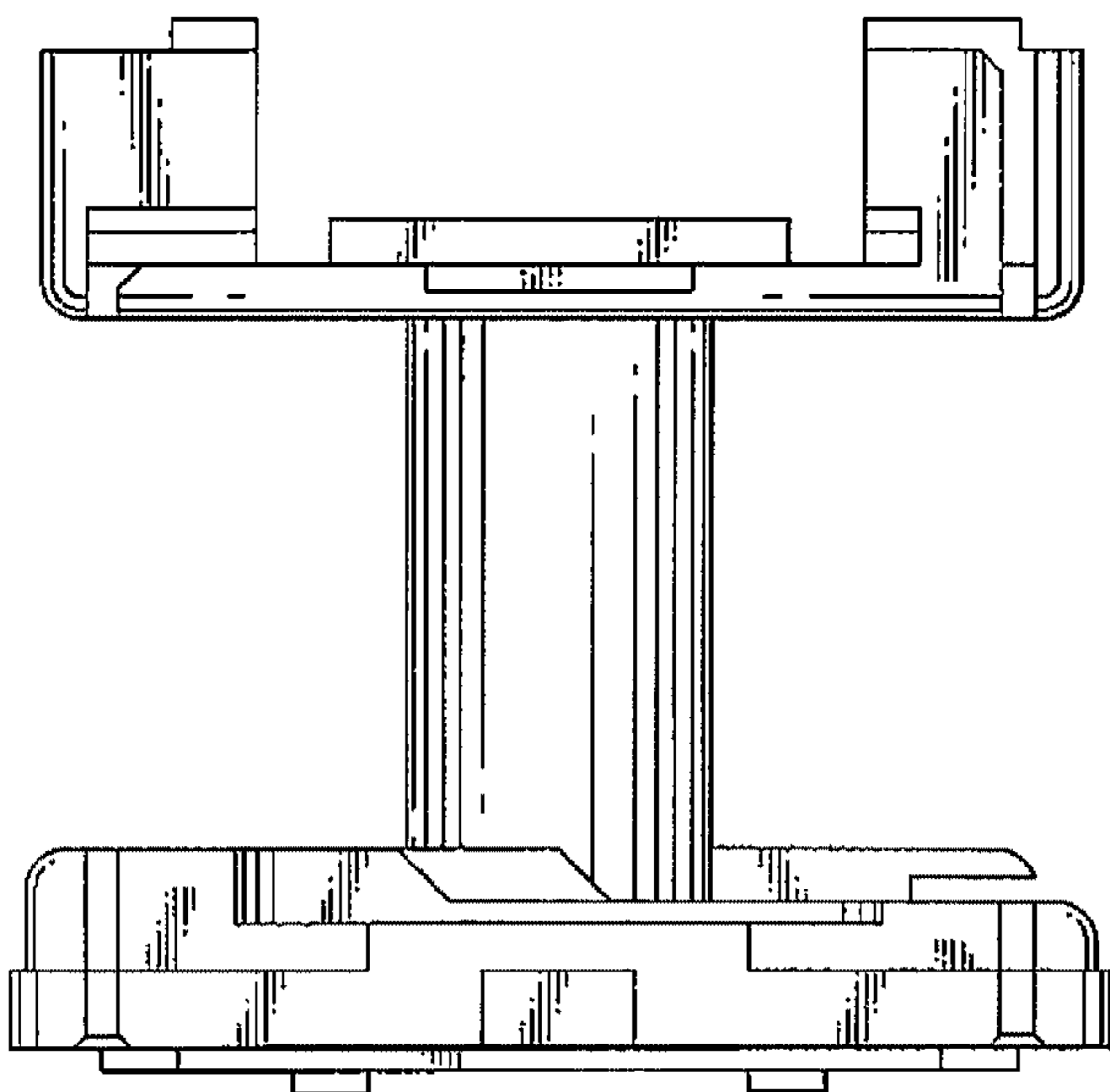


FIG. 3

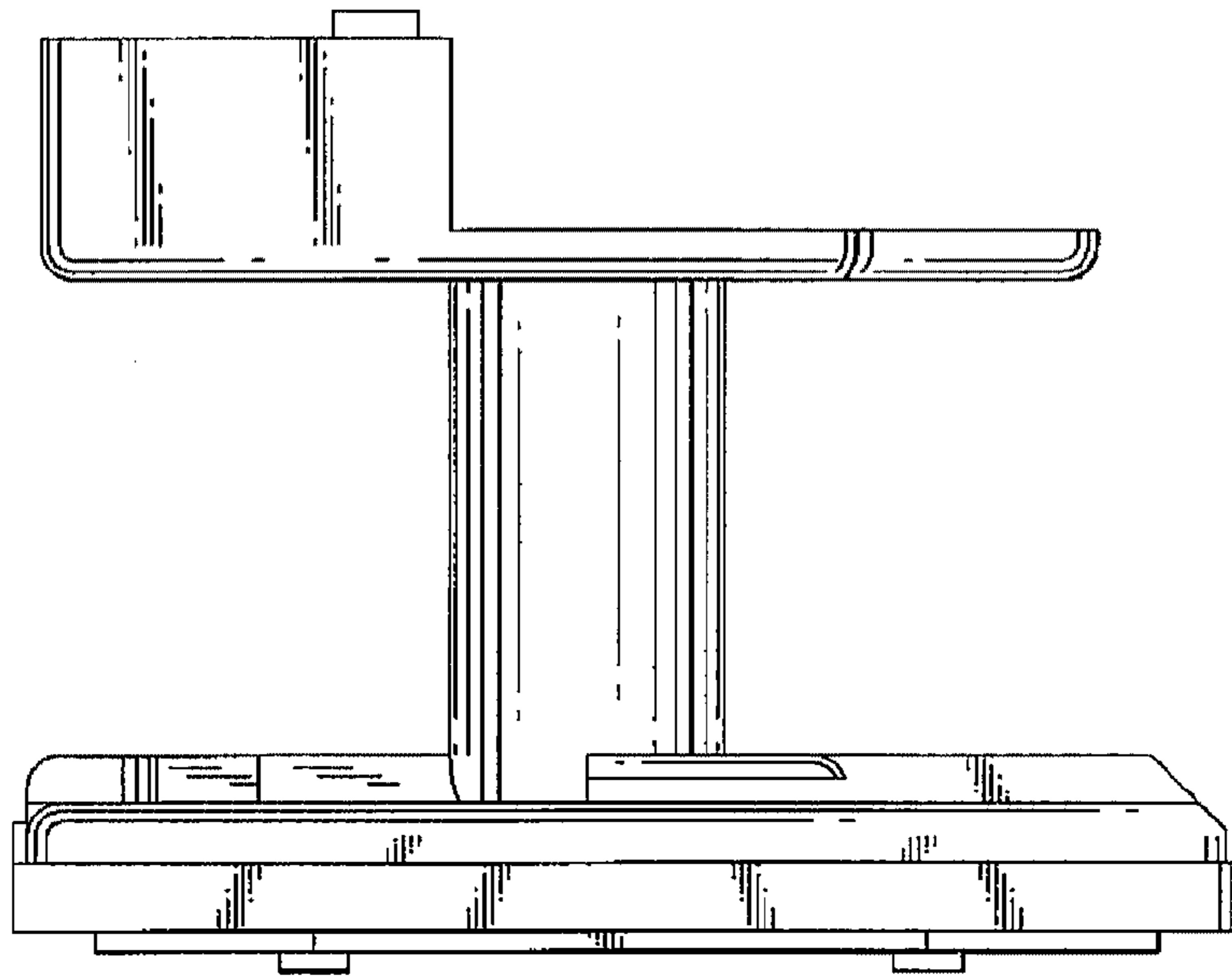


FIG. 4

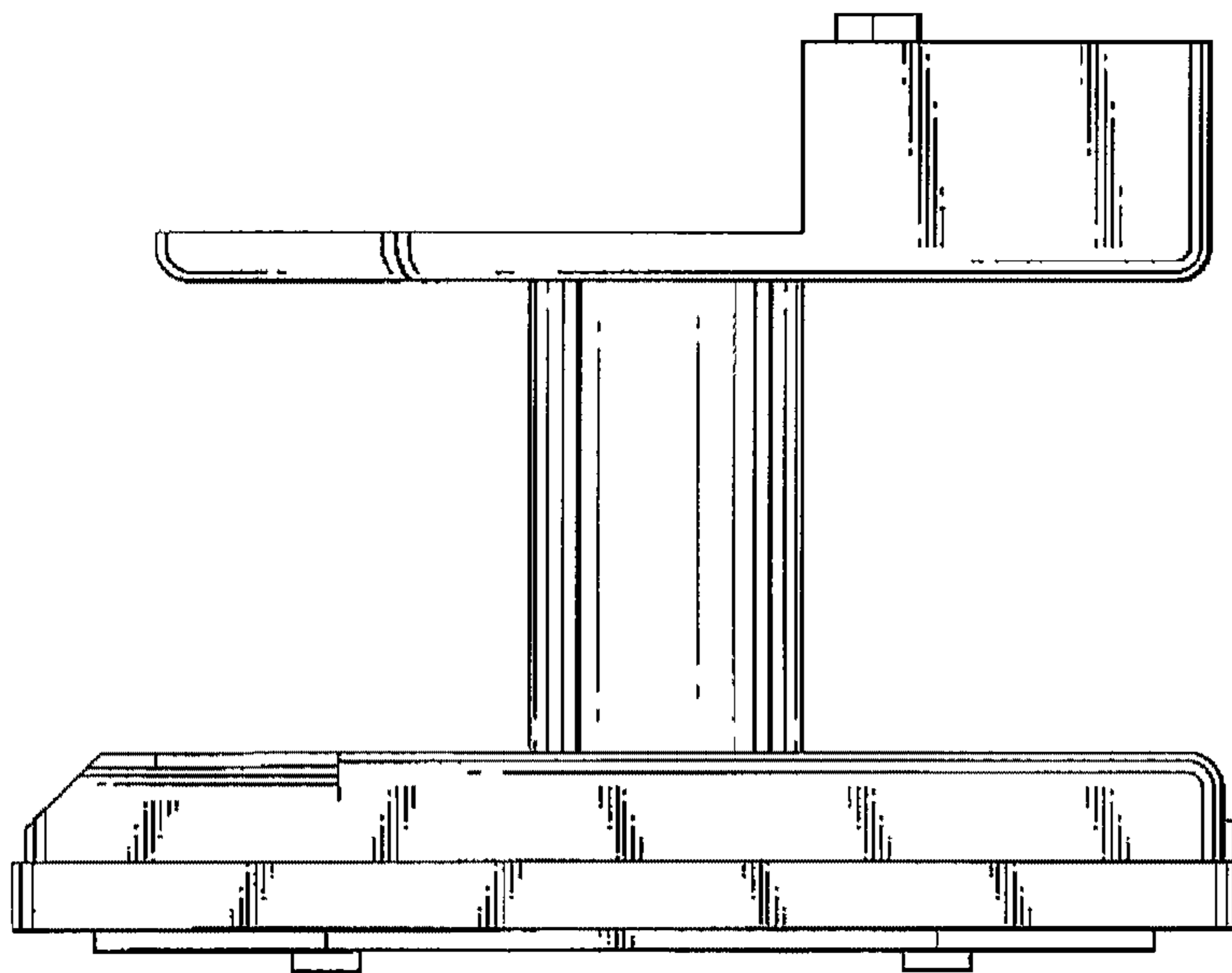


FIG. 5

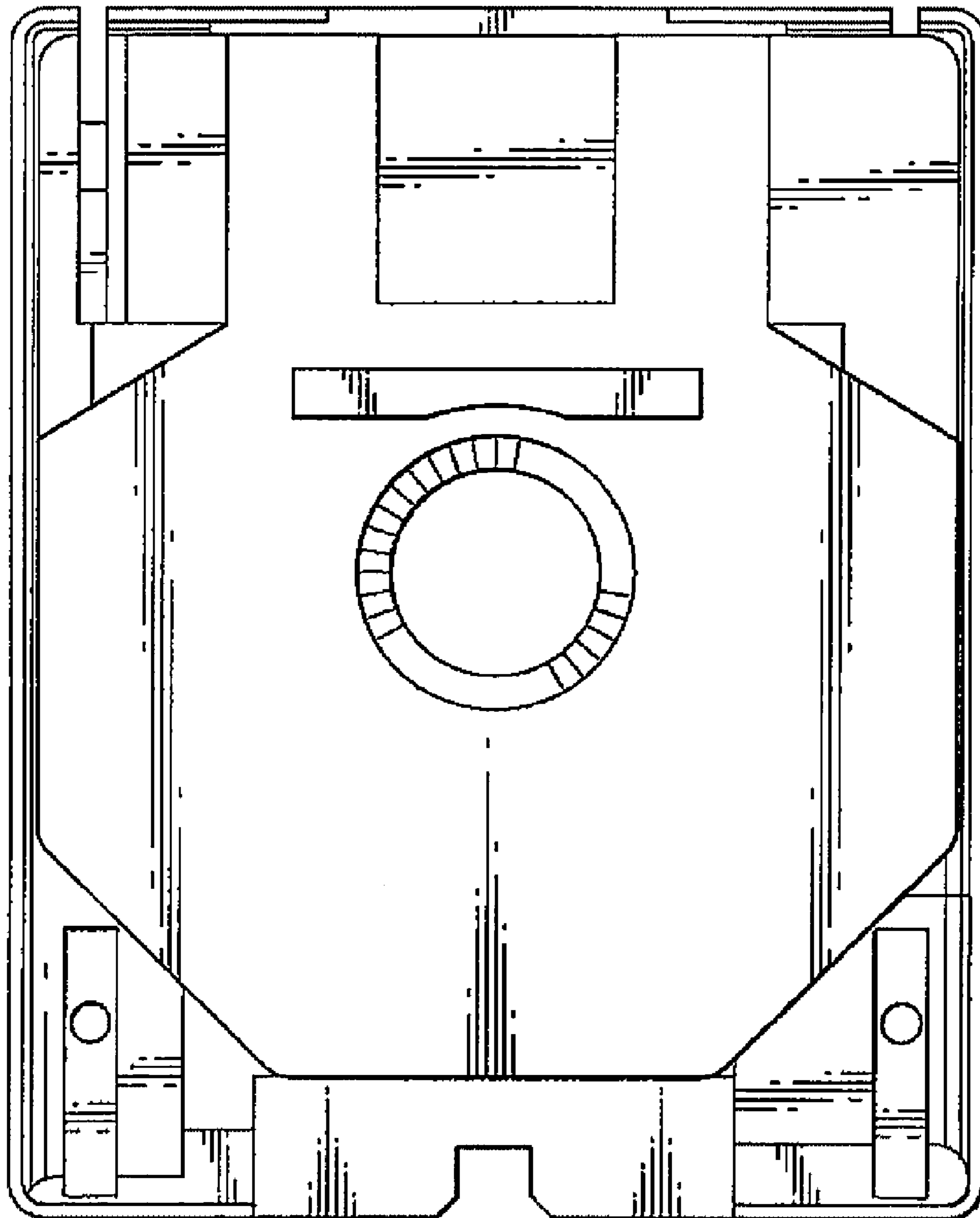


FIG. 6

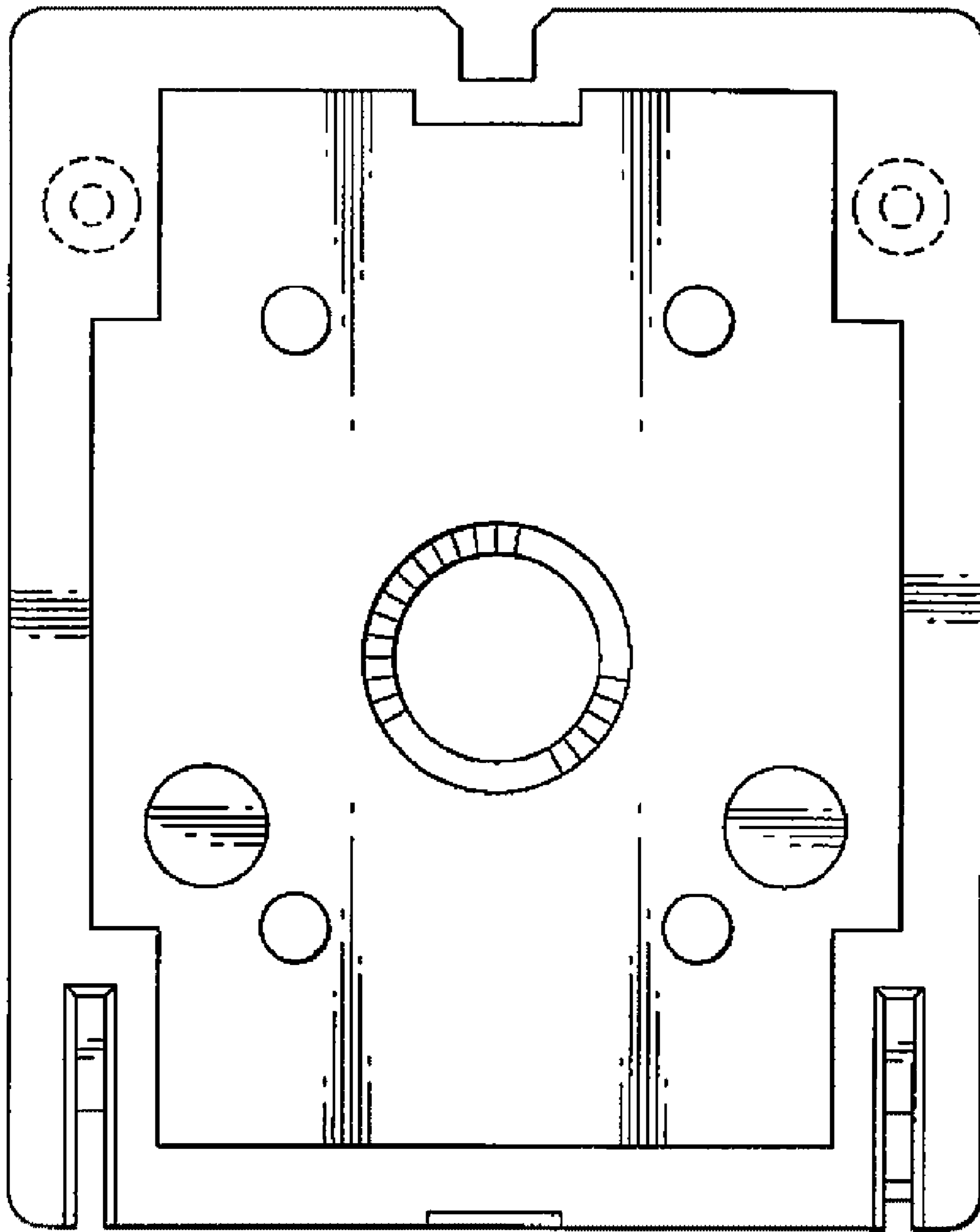


FIG. 7