



US00D584681S

(12) **United States Design Patent**
Shimada

(10) **Patent No.:** **US D584,681 S**
(45) **Date of Patent:** **** Jan. 13, 2009**

(54) **AUTOMOBILE TIRE**

(75) Inventor: **Norihiro Shimada**, Chuo-ku (JP)

(73) Assignee: **Bridgestone Corporation**, Tokyo (JP)

(**) Term: **14 Years**

(21) Appl. No.: **29/269,555**

(22) Filed: **Dec. 4, 2006**

(30) **Foreign Application Priority Data**

Jun. 30, 2006 (JP) 2006-017325

(51) **LOC (9) Cl.** **12-15**

(52) **U.S. Cl.** **D12/602; D12/596**

(58) **Field of Classification Search** D12/505-603;
152/209.1, 209.12, 209.18, 209.25

See application file for complete search history.

(56) **References Cited**

U.S. PATENT DOCUMENTS

- D355,151 S * 2/1995 Hagmaier D12/562
- D384,919 S * 10/1997 Hermann D12/597
- D385,235 S * 10/1997 Young D12/588
- D388,370 S * 12/1997 Young et al. D12/562
- D390,510 S * 2/1998 Stone et al. D12/588
- D397,647 S * 9/1998 Young D12/595

- D432,059 S * 10/2000 Feider et al. D12/603
- D433,356 S * 11/2000 Loeffler et al. D12/601
- D451,860 S * 12/2001 Schuster et al. D12/600

* cited by examiner

Primary Examiner—Robert M Spear

Assistant Examiner—George D Kirschbaum

(74) *Attorney, Agent, or Firm*—Sughrue Mion, PLLC

(57) **CLAIM**

The ornamental design for an automobile tire, as shown and described.

DESCRIPTION

FIG. 1 is a perspective view of an automobile tire, it being understood that the tread pattern repeats uniformly throughout the circumference of the tire.

FIG. 2 is a front elevation view thereof. A top plan view and a bottom plan view are identical with the front elevation view.

FIG. 3 is a rear elevation view thereof.

FIG. 4 is a right side elevation view thereof.

FIG. 5 is a left side elevation view thereof.

FIG. 6 is an enlarged fragmentary front view thereof; and,

FIG. 7 is a cross-sectional view thereof taken along line 7—7 in FIG. 6.

1 Claim, 7 Drawing Sheets

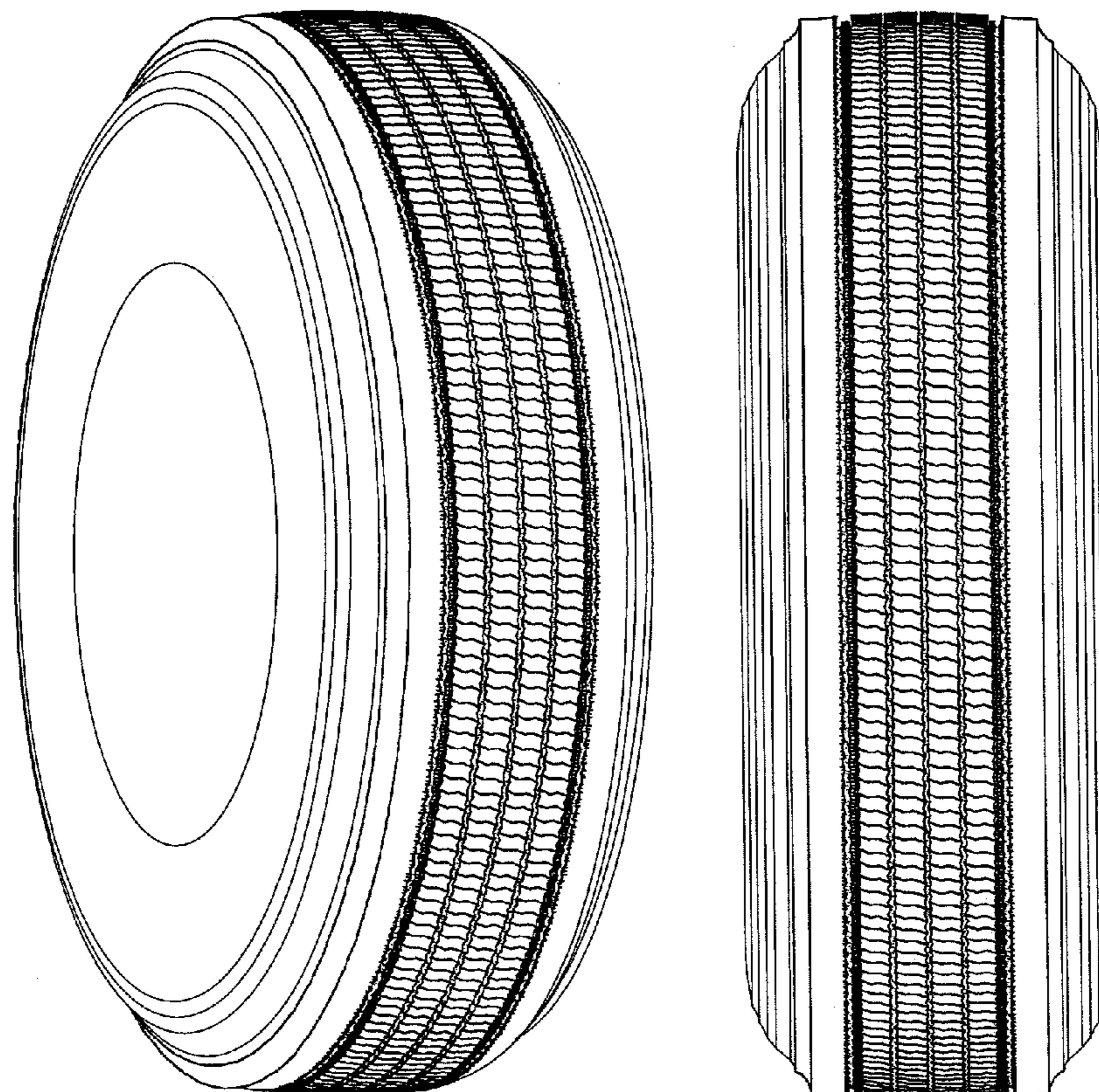


FIG. 1

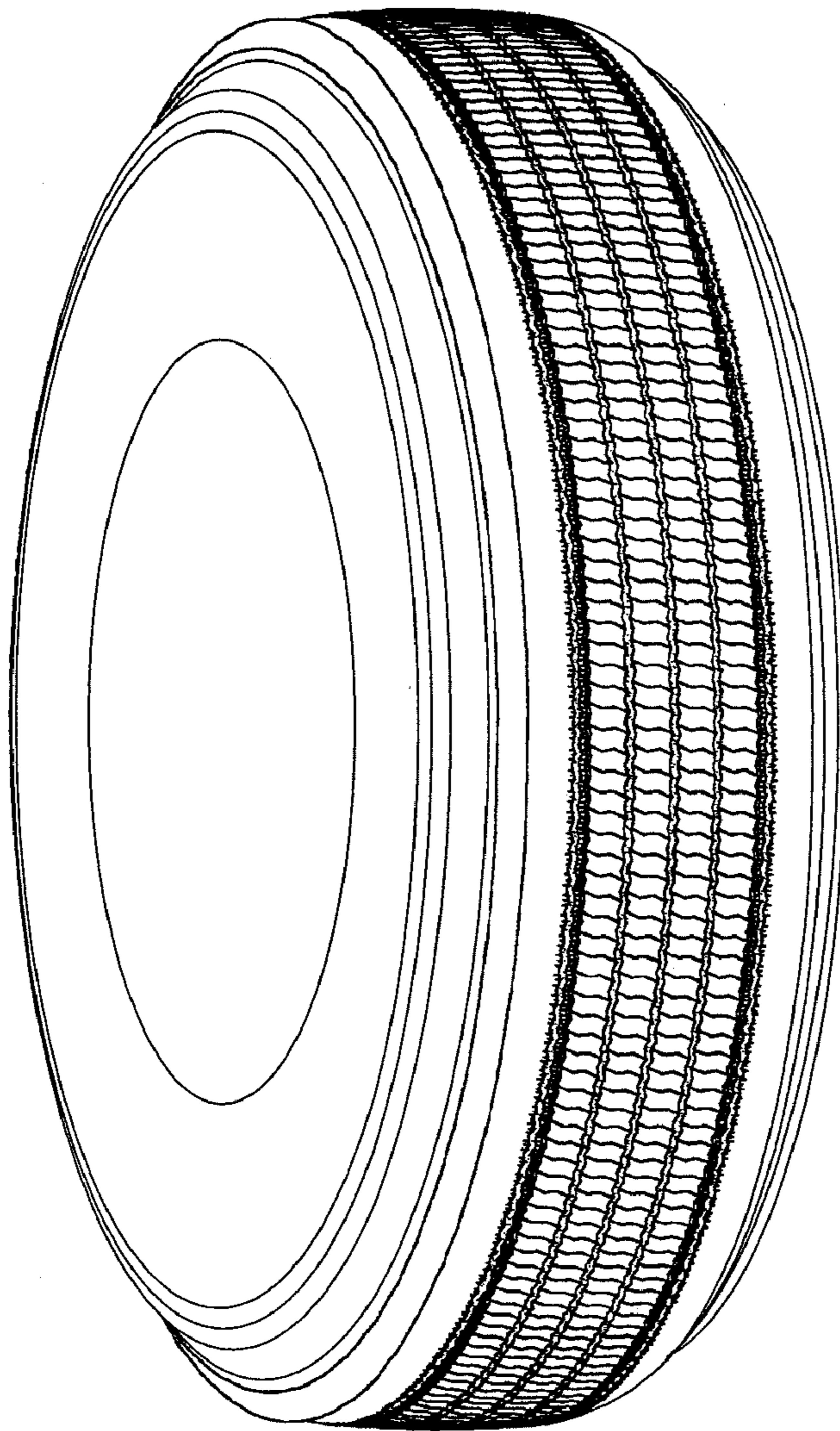


FIG. 2

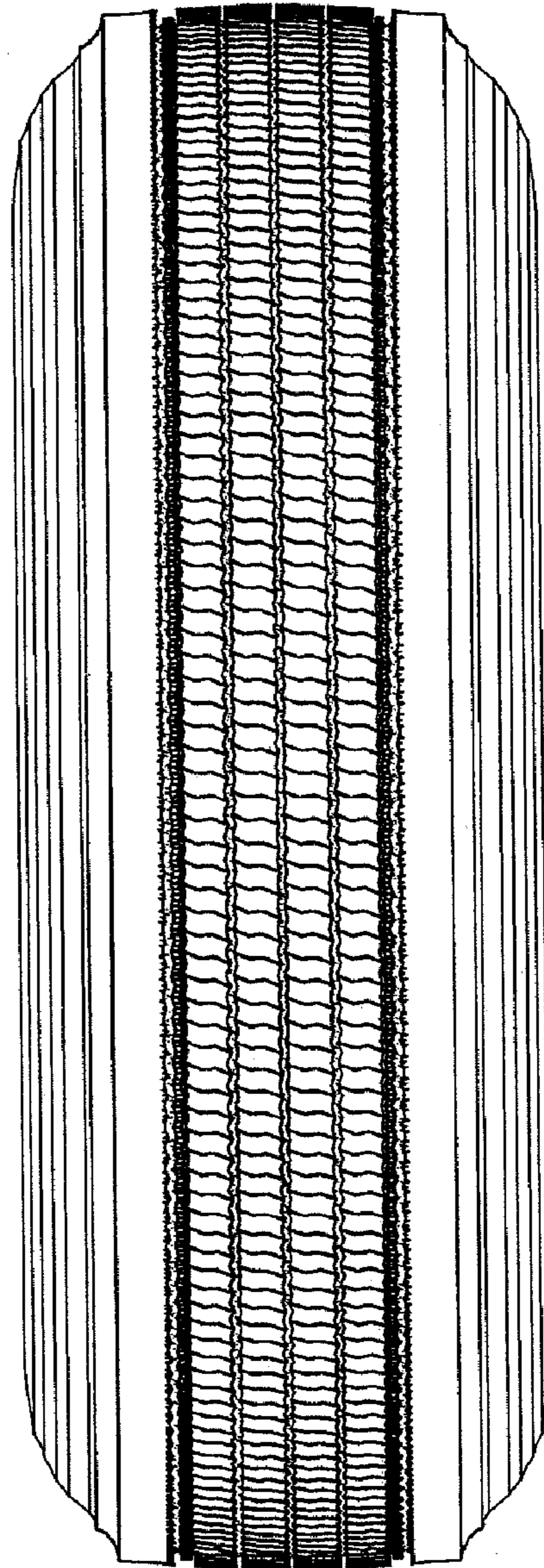


FIG. 3

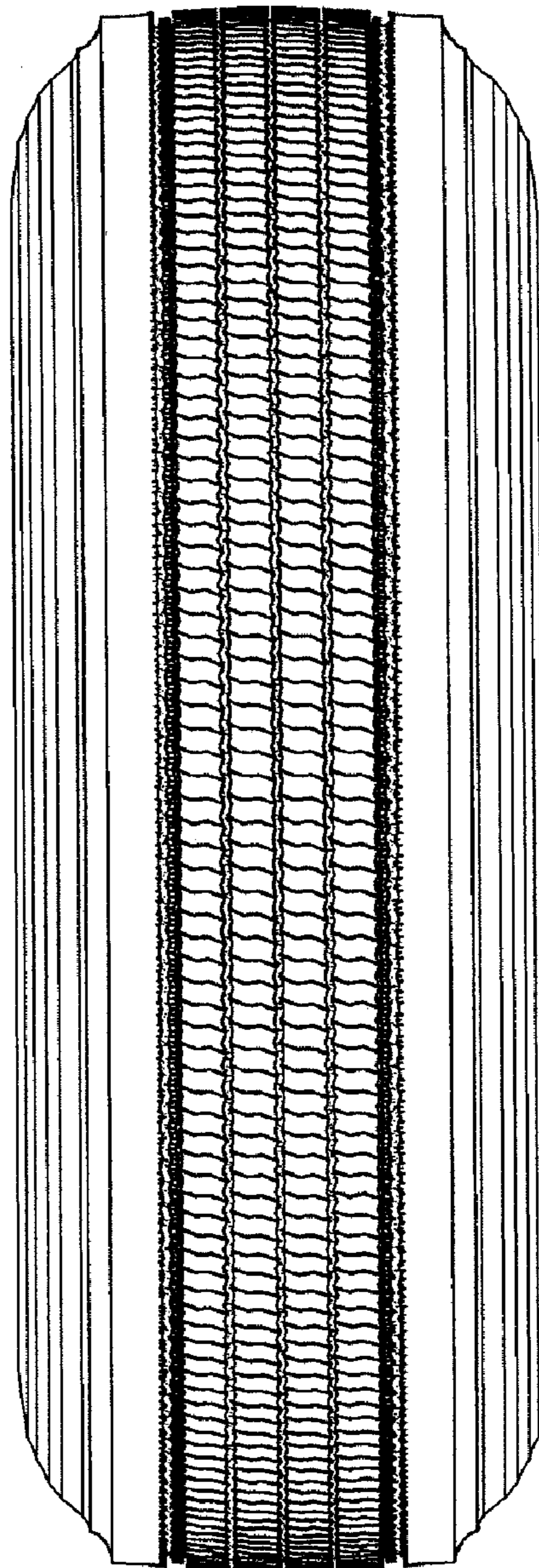


FIG. 4

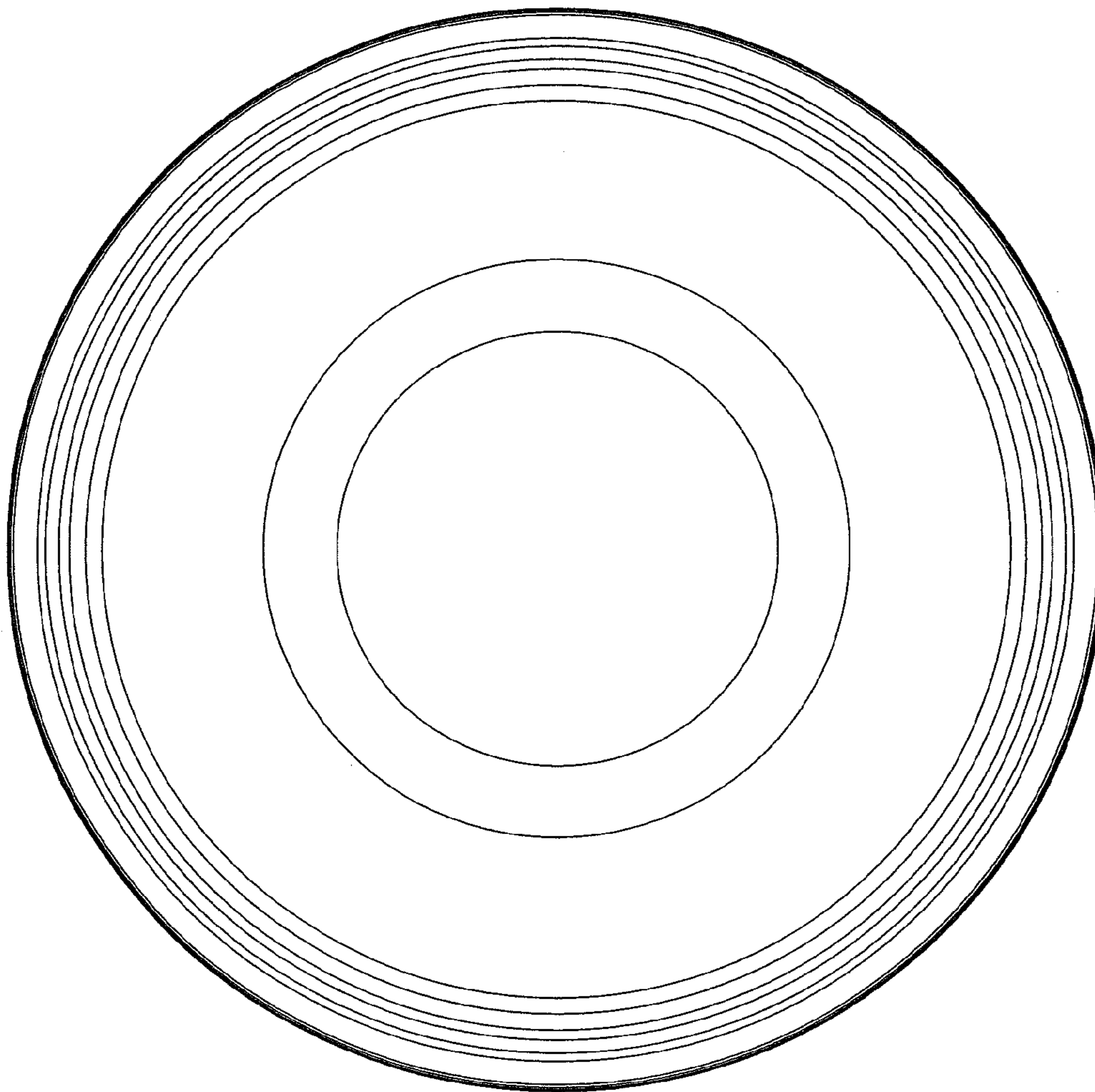


FIG. 5

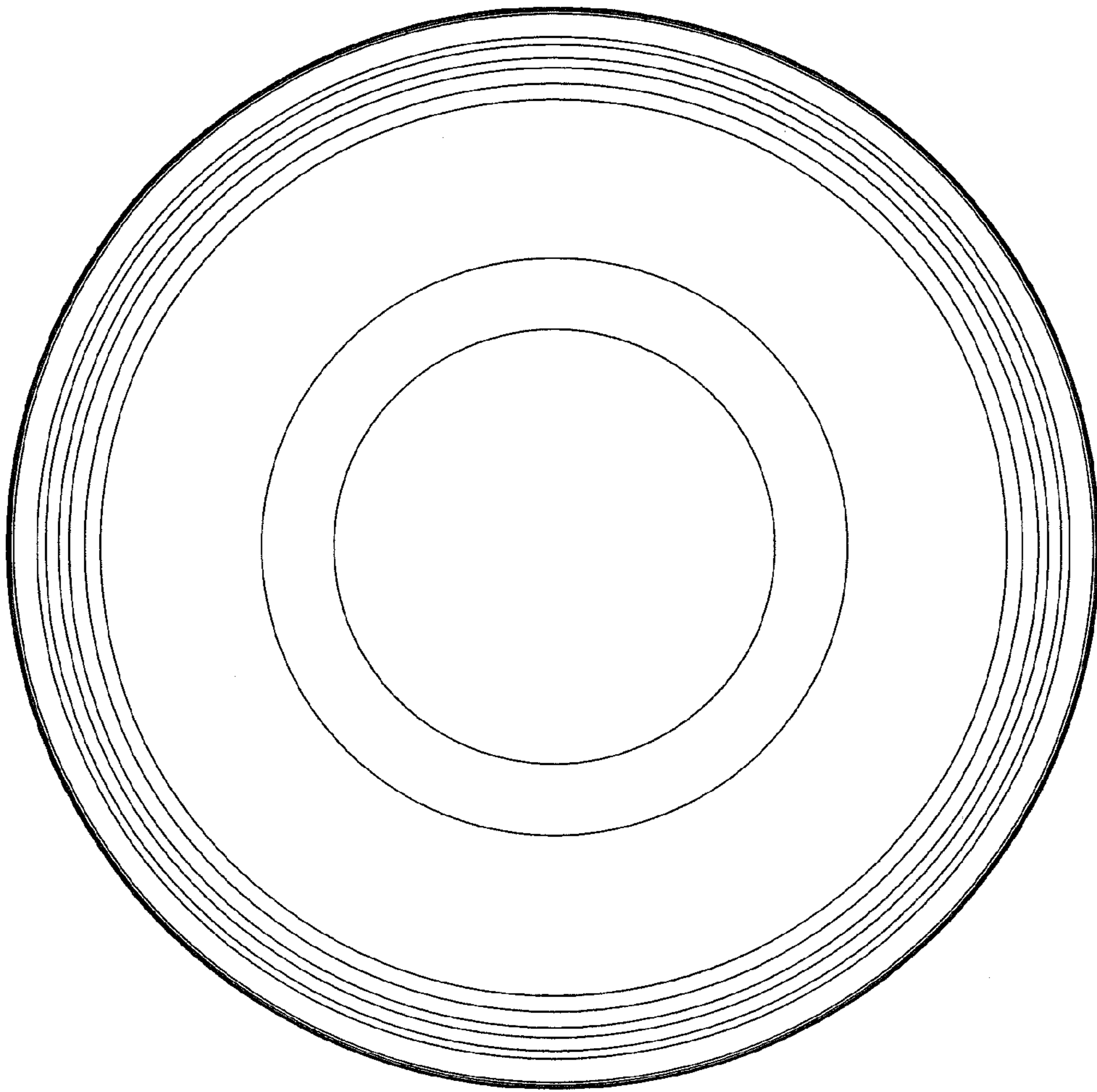


FIG. 6

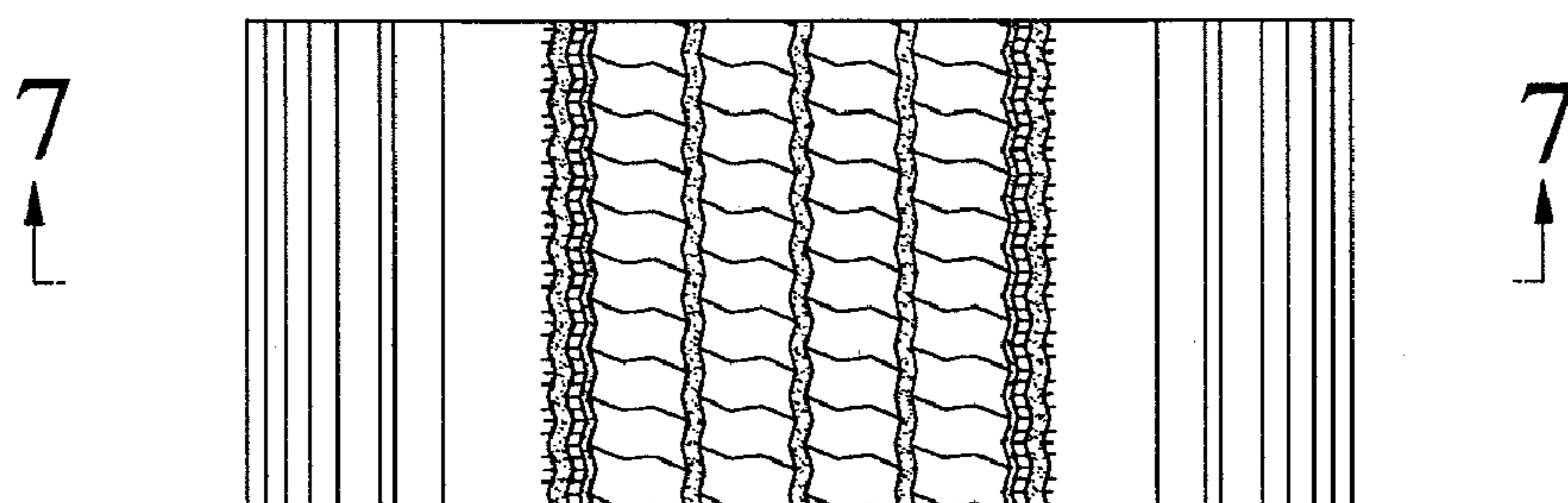


FIG. 7

