



US00D584673S

(12) **United States Design Patent**  
**Chung**

(10) **Patent No.:** **US D584,673 S**

(45) **Date of Patent:** **\*\* Jan. 13, 2009**

(54) **AUTOMOTIVE WHEEL**

(76) **Inventor:** **Suny Chung**, 3283 Red Pine Rd., Yorba  
Linda, CA (US) 92886

(\*\*) **Term:** **14 Years**

(21) **Appl. No.:** **29/312,087**

(22) **Filed:** **Sep. 30, 2008**

(51) **LOC (9) Cl.** ..... **12-16**

(52) **U.S. Cl.** ..... **D12/209**

(58) **Field of Classification Search** ..... D12/204-213;  
301/37.101, 64.101, 65, 64.201  
See application file for complete search history.

(56) **References Cited**

**U.S. PATENT DOCUMENTS**

- D485,524 S \* 1/2004 Bhambra ..... D12/209
- D516,488 S \* 3/2006 Truebsbach ..... D12/209
- D523,800 S \* 6/2006 Sulahian ..... D12/209
- D547,710 S \* 7/2007 Guevara ..... D12/209

- D554,036 S \* 10/2007 Chung ..... D12/209
- D567,165 S \* 4/2008 Truebsbach ..... D12/209
- D571,274 S \* 6/2008 Chung ..... D12/209
- D576,535 S \* 9/2008 Chung ..... D12/209
- D579,845 S \* 11/2008 Chung ..... D12/209

\* cited by examiner

*Primary Examiner*—Stacia Cadmus

(57) **CLAIM**

The ornamental design for an automotive wheel, as shown and described.

**DESCRIPTION**

FIG. 1 is a perspective view of an automotive wheel, showing my new design; and,

FIG. 2 is a front view thereof.

The broken line showing of rear portion of the wheel rim is included for the purpose of illustrating environment and forms no part of the claimed design.

**1 Claim, 2 Drawing Sheets**

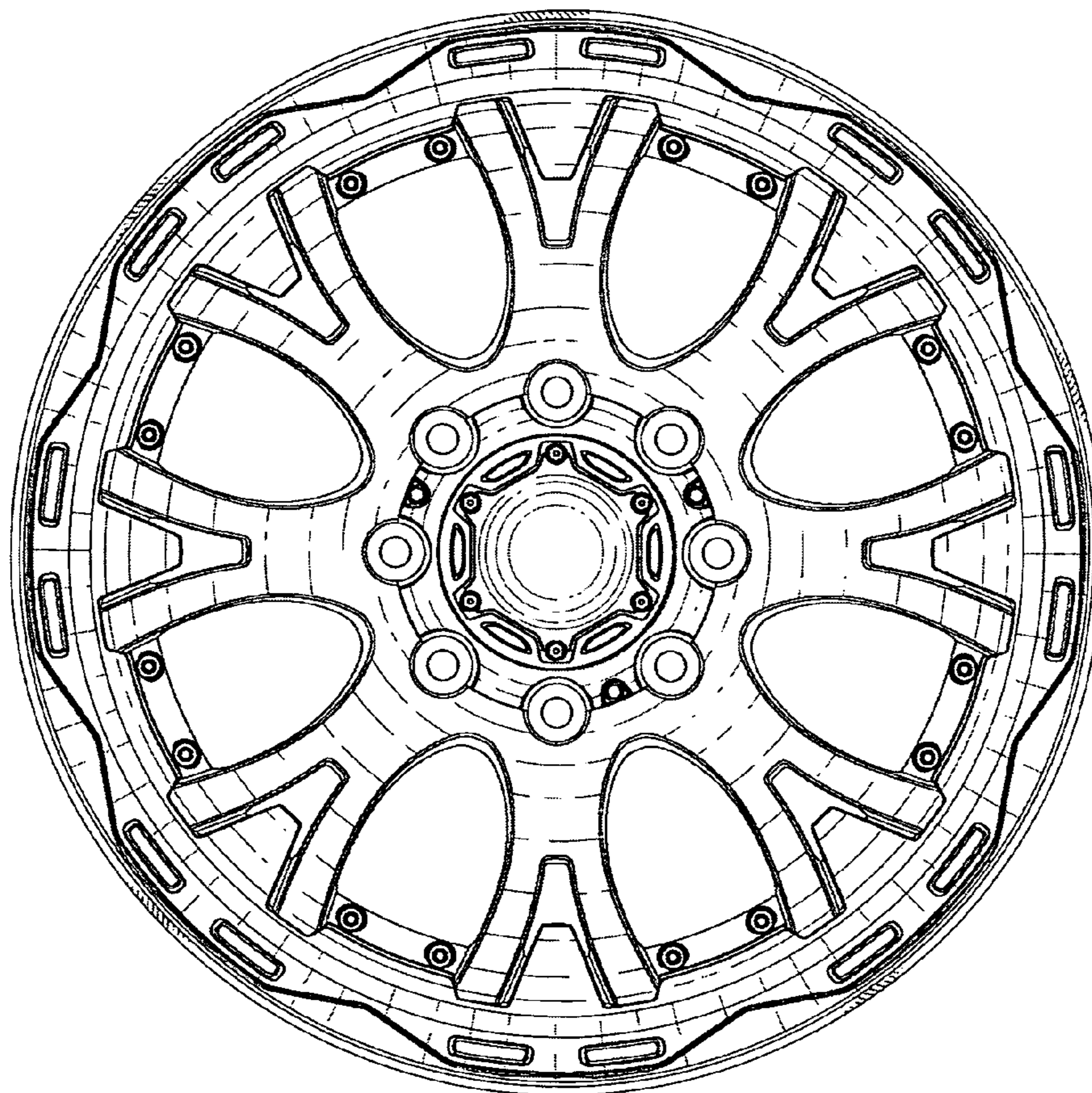


Figure 1

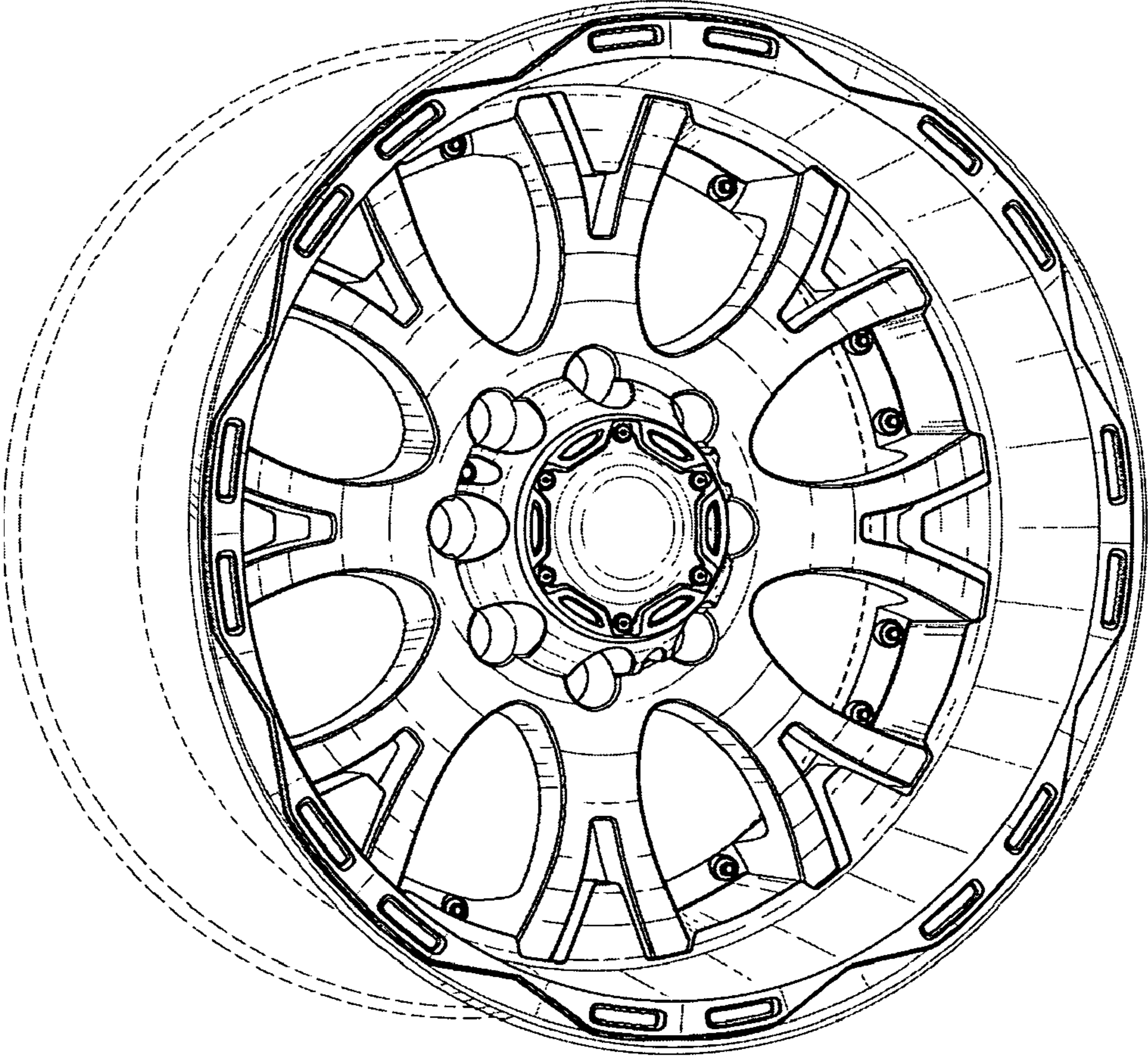


Figure 2

