



US00D584669S

(12) **United States Design Patent**
Watabe

(10) **Patent No.:** **US D584,669 S**

(45) **Date of Patent:** **** Jan. 13, 2009**

(54) **SIDE MIRROR FOR MOTORCYCLES**

D518,427 S * 4/2006 Martinson D12/187
D518,762 S * 4/2006 Martinson D12/187
2004/0264204 A1* 12/2004 Toyofuku 362/473

(75) Inventor: **Ai Watabe**, Kobe (JP)

(73) Assignee: **Kawasaki Jukogyo Kabushiki Kaisha**,
Kobe-shi (JP)

* cited by examiner

(**) Term: **14 Years**

Primary Examiner—Robert M Spear

Assistant Examiner—Katrina A Kile

(21) Appl. No.: **29/294,513**

(74) *Attorney, Agent, or Firm*—Allenman Hall McCoy
Russell & Tuttle LLP

(22) Filed: **Jan. 14, 2008**

(57) **CLAIM**

(30) **Foreign Application Priority Data**

The ornamental design for a side mirror for motorcycles, as
shown and described.

Jul. 18, 2007 (JP) 2007-019500

(51) **LOC (9) Cl.** **12-16**

(52) **U.S. Cl.** **D12/187**

(58) **Field of Classification Search** D12/187–199,
D12/96; D6/300, 309; 359/838, 841, 843,
359/844, 868, 871, 872, 877, 604, 881, 514,
359/866; 248/475.1, 479–483

See application file for complete search history.

DESCRIPTION

FIG. 1 is a front view of a side mirror for a motorcycle
according to our new design (the left side mirror for motor-
cycles being a mirror image thereof),

FIG. 2 is a top plan view thereof,

FIG. 3 is a right side view thereof,

FIG. 4 is a cross sectional view thereof taken along line 4—4
in FIG. 1; and,

FIG. 5 is a front view showing the side mirror installed on a
motorcycle.

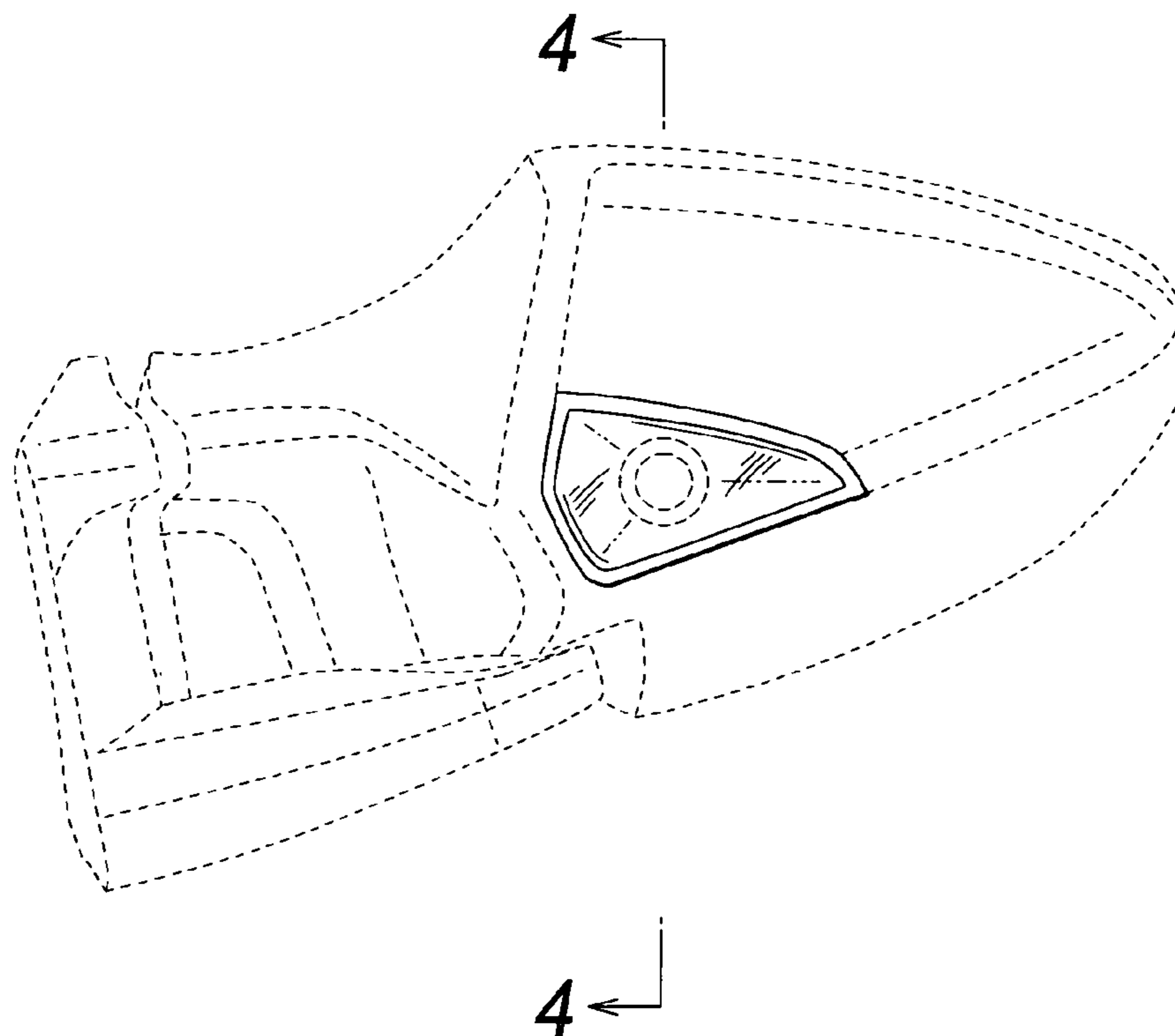
In the drawings, the broken lines depicting a motorcycle form
no part of the claimed design.

(56) **References Cited**

U.S. PATENT DOCUMENTS

D281,411 S * 11/1985 Abe D12/188
4,768,870 A * 9/1988 Chen 381/389
D354,266 S * 1/1995 Mingledorff D12/187
D440,921 S * 4/2001 Schmidt et al. D12/187
D501,165 S * 1/2005 Grove D12/188

1 Claim, 3 Drawing Sheets



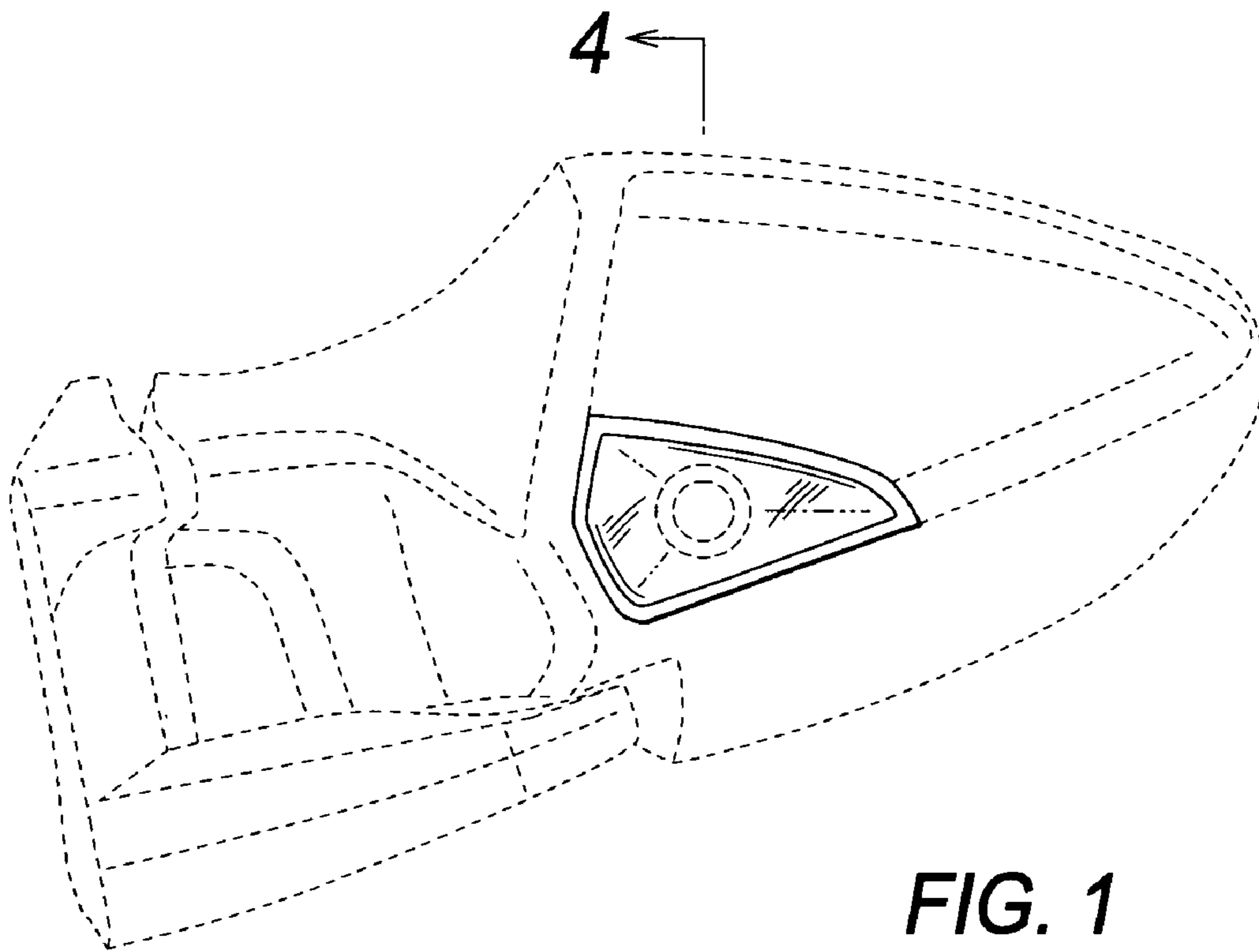


FIG. 1

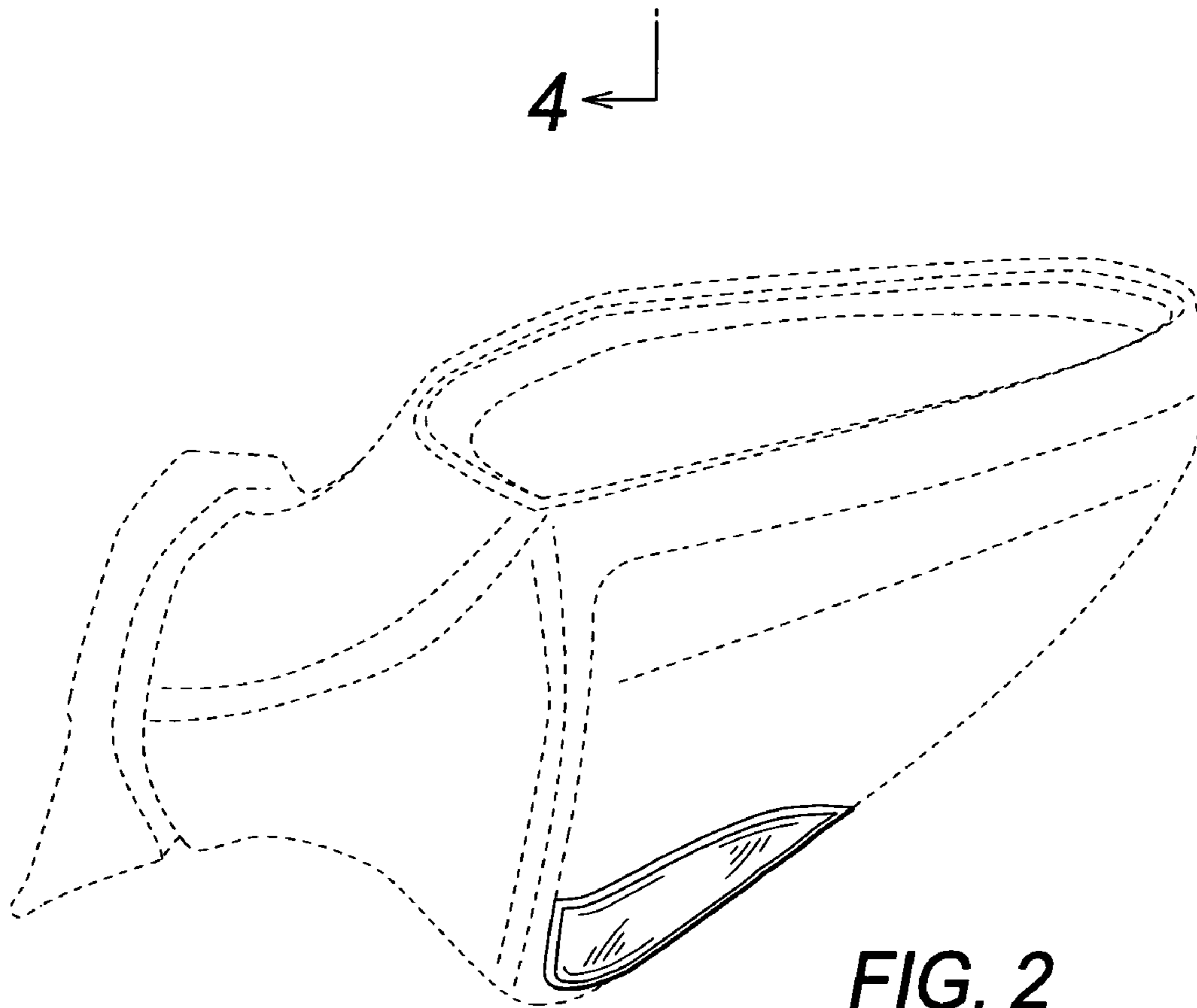


FIG. 2

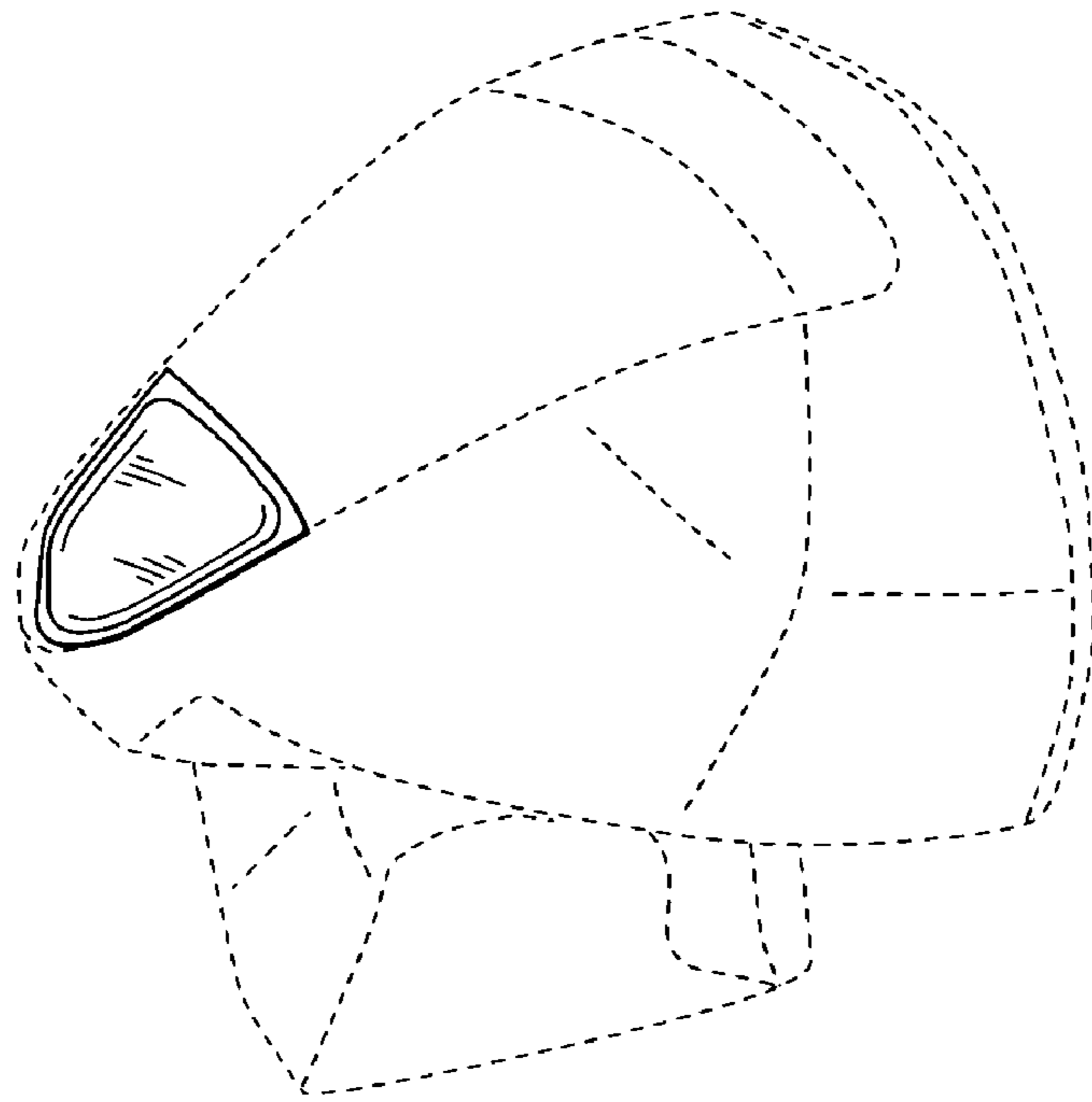


FIG. 3

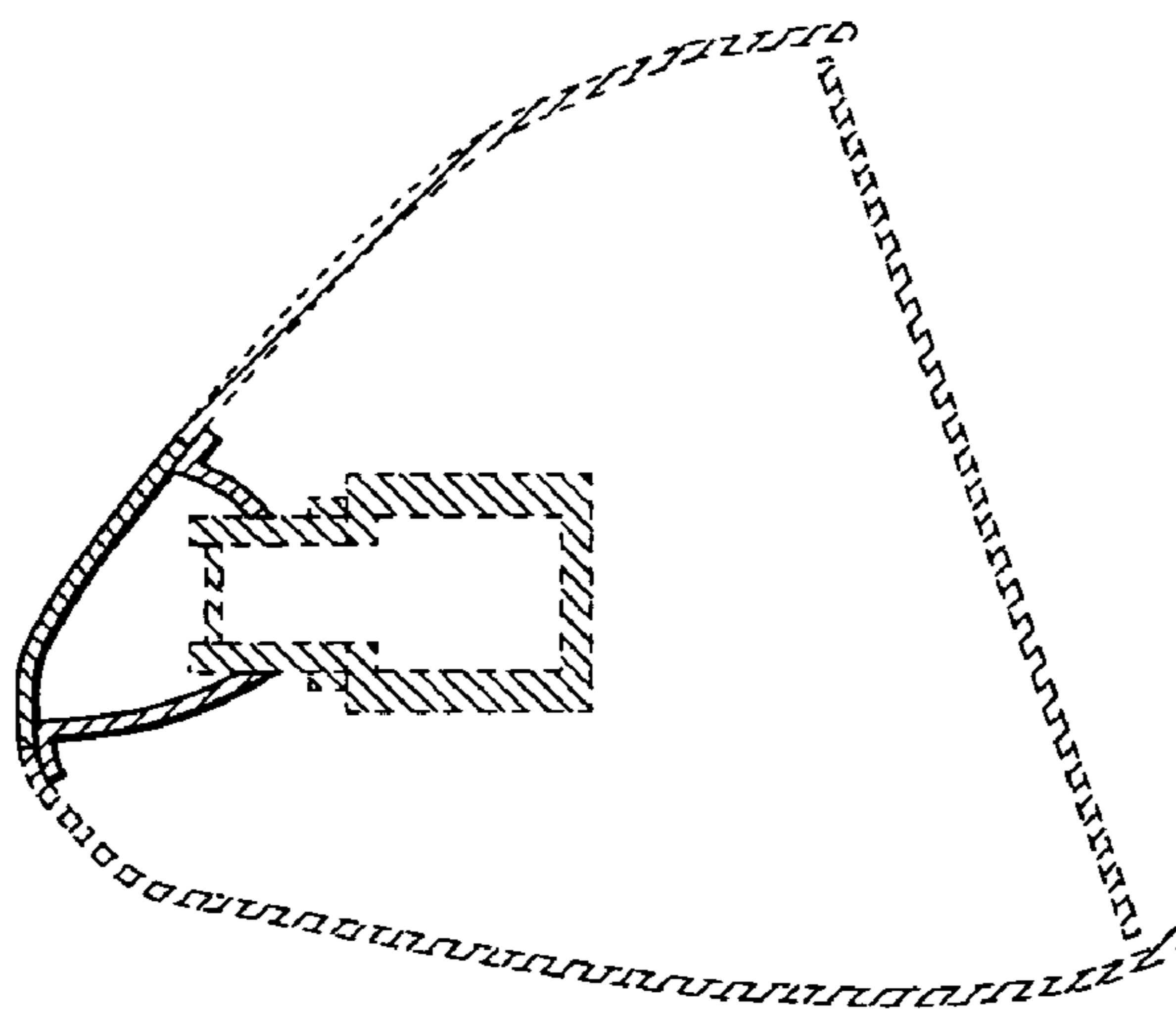


FIG. 4

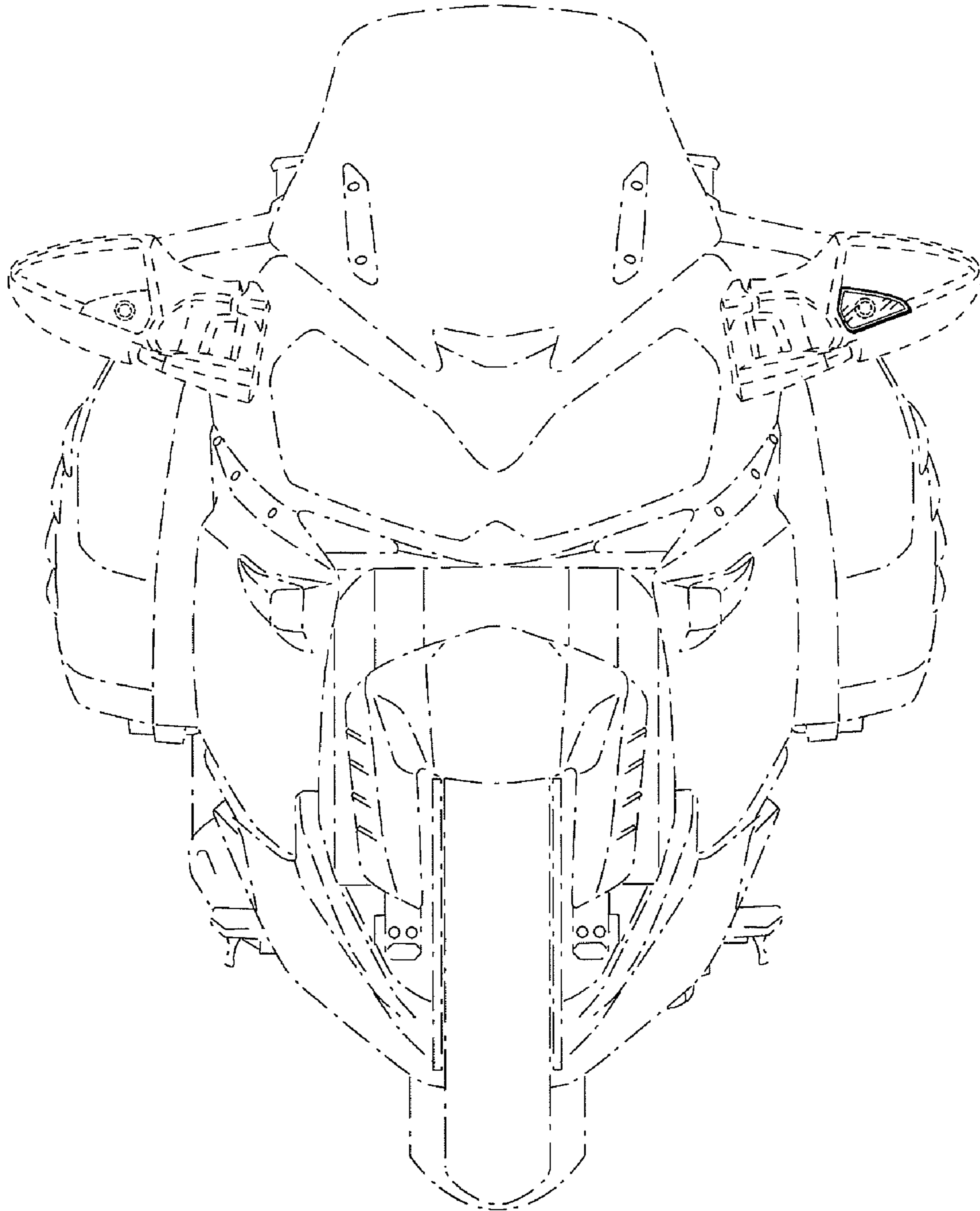


FIG. 5